



US00D333864S

# United States Patent [19]

Chretien

[11] Patent Number: Des. 333,864

[45] Date of Patent: \*\* Mar. 9, 1993

[54] WATER CONTROL UNIT FOR A HAND SHOWER

[75] Inventor: Philippe Chretien, Dietlikon, Switzerland

[73] Assignee: KWC AG, Unterkulm, Switzerland

[\*\*] Term: 14 Years

[21] Appl. No.: 594,208

[22] Filed: Oct. 9, 1990

[30] Foreign Application Priority Data

Apr. 9, 1990 [CH] Switzerland ..... DM/016382

[52] U.S. Cl. .... D23/238

[58] Field of Search ..... D23/238-243, D23/255-257; 4/191, 192; 137/801

[56] References Cited

U.S. PATENT DOCUMENTS

- D. 114,200 4/1939 Sedlon et al. .... D23/238
- D. 149,344 4/1948 Fitter ..... D23/240

- D. 220,624 5/1971 Urban ..... D23/241
- D. 293,599 1/1988 Bergmann et al. .... D23/238 X
- D. 293,816 1/1988 Bergmann et al. .... D23/238
- D. 312,118 11/1990 Son ..... D23/238
- D. 315,194 3/1991 Haug et al. .... D23/238
- D. 318,320 7/1991 Zerlia ..... D23/241

Primary Examiner—James R. Largen  
Attorney, Agent, or Firm—Oblon, Spivak, McClelland, Maier & Neustadt

[57] CLAIM

The ornamental design for a water control unit for a hand shower, as shown.

DESCRIPTION

FIG. 1 is a perspective view taken from the top, front and right side of a water control unit for a hand shower showing my new design.

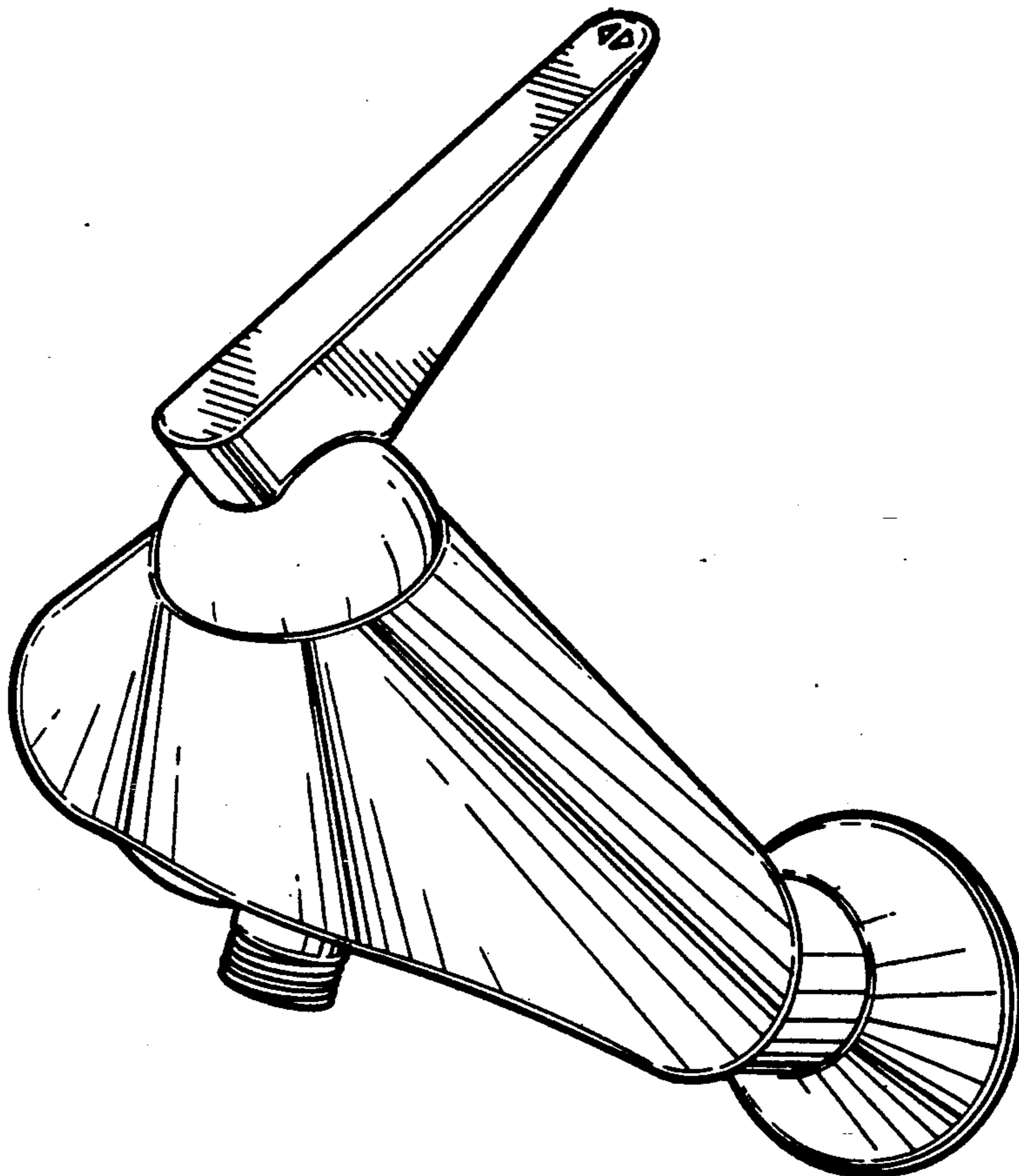
FIG. 2 is a front elevational view thereof;

FIG. 3 is a top plan view thereof;

FIG. 4 is a right side elevational view thereof;

FIG. 5 is a left side elevational view thereof; and,

FIG. 6 is a bottom plan view.



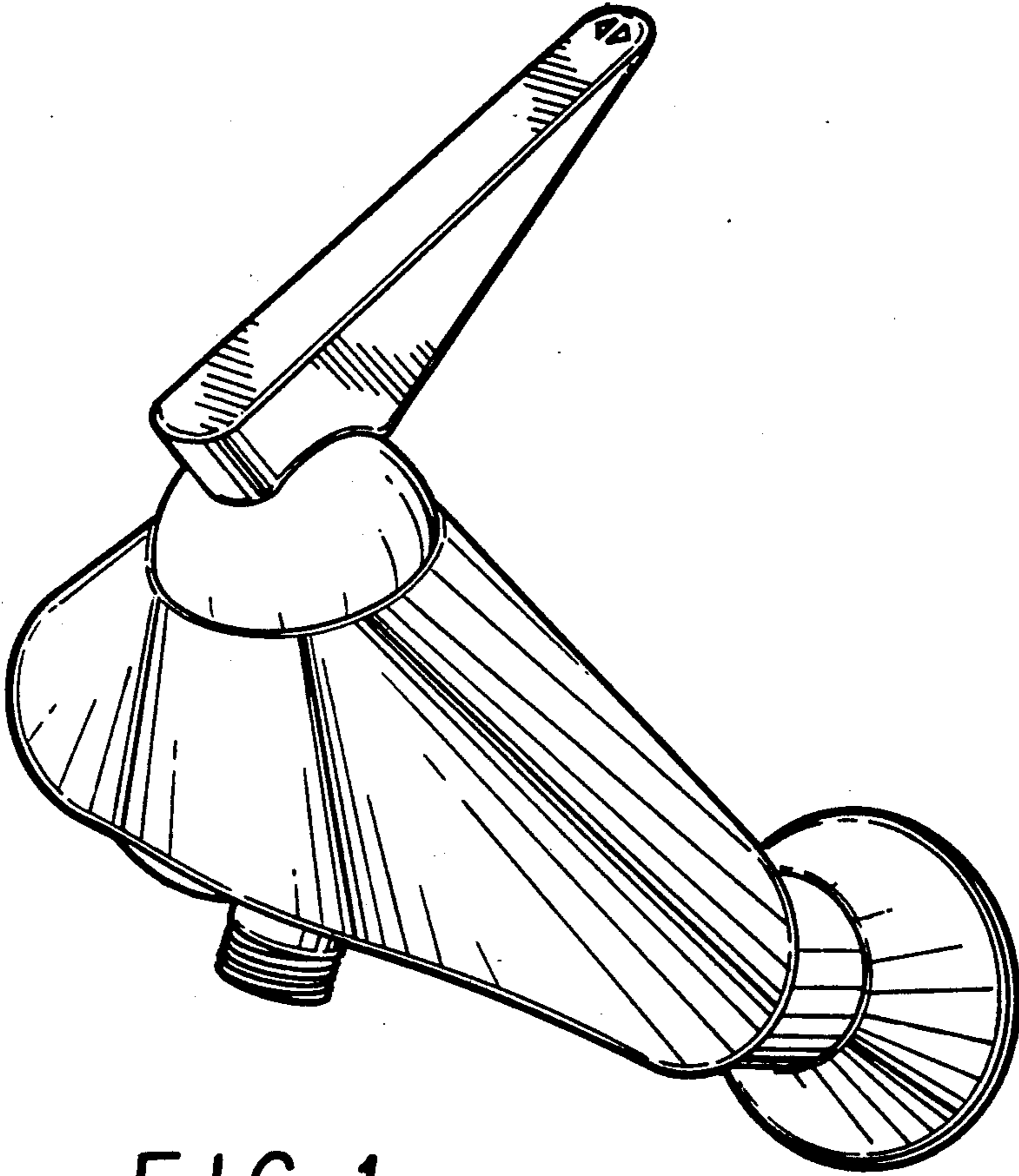


FIG. 1

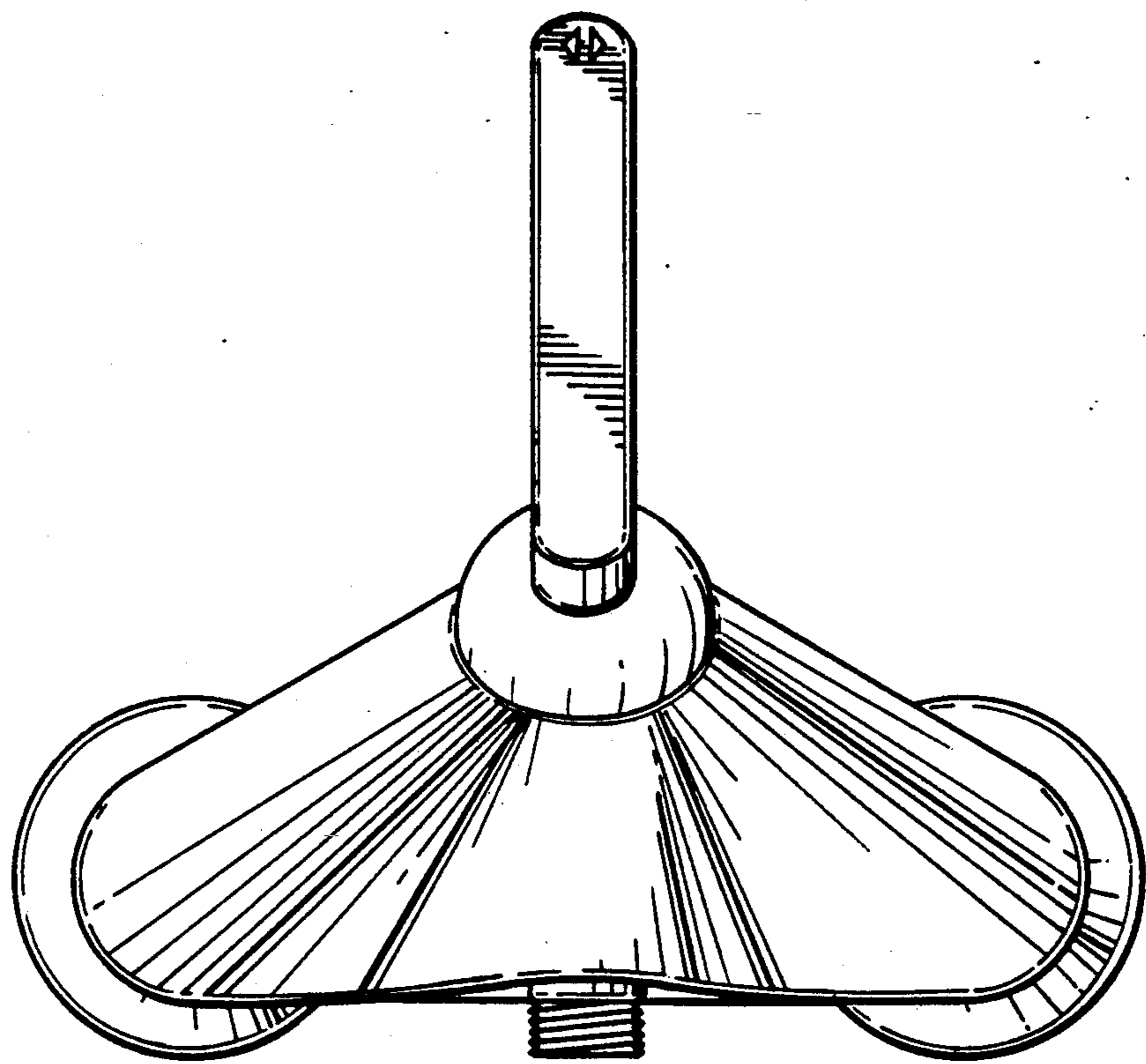


FIG. 2

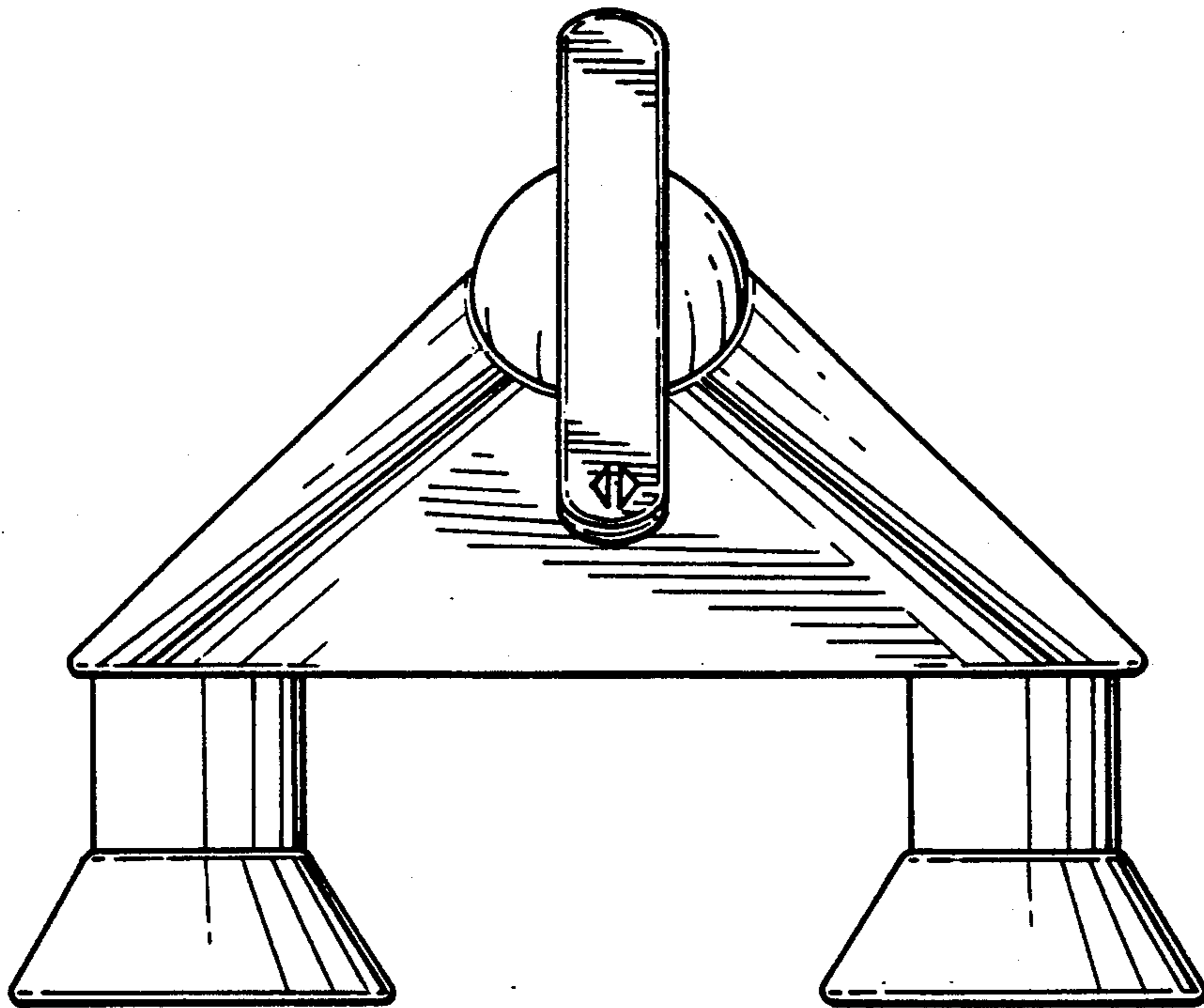


FIG. 3

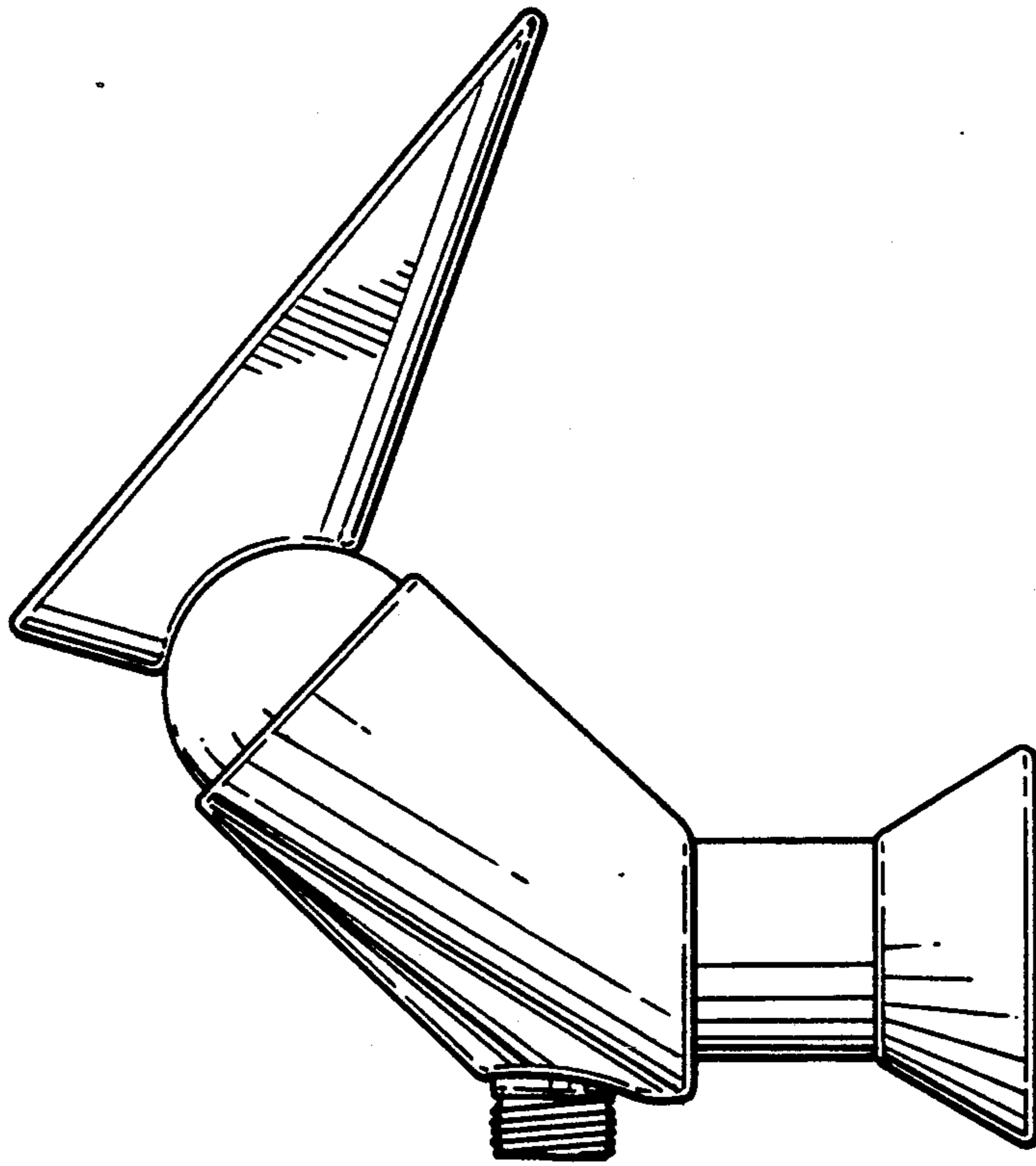


FIG. 4



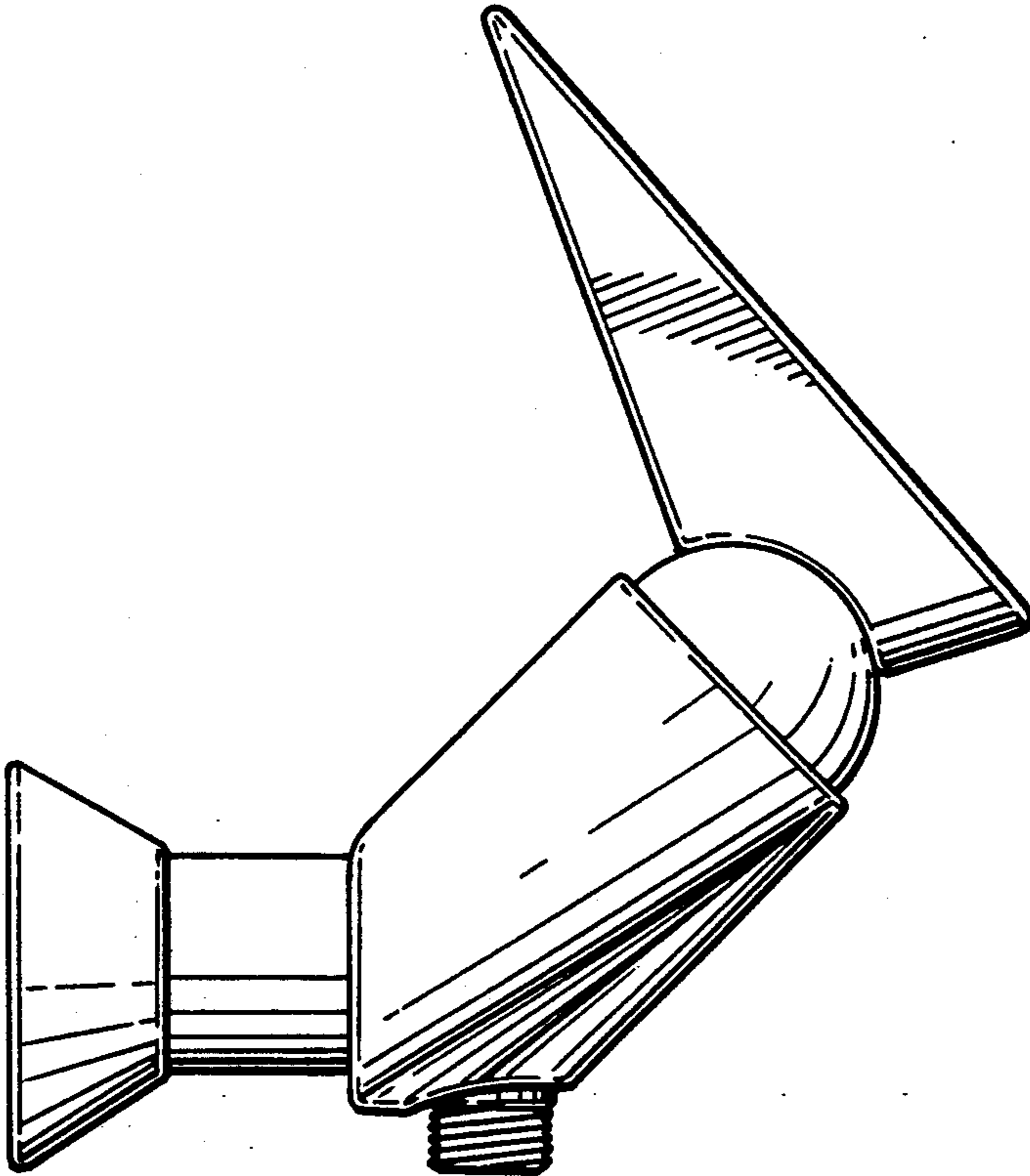


FIG. 5

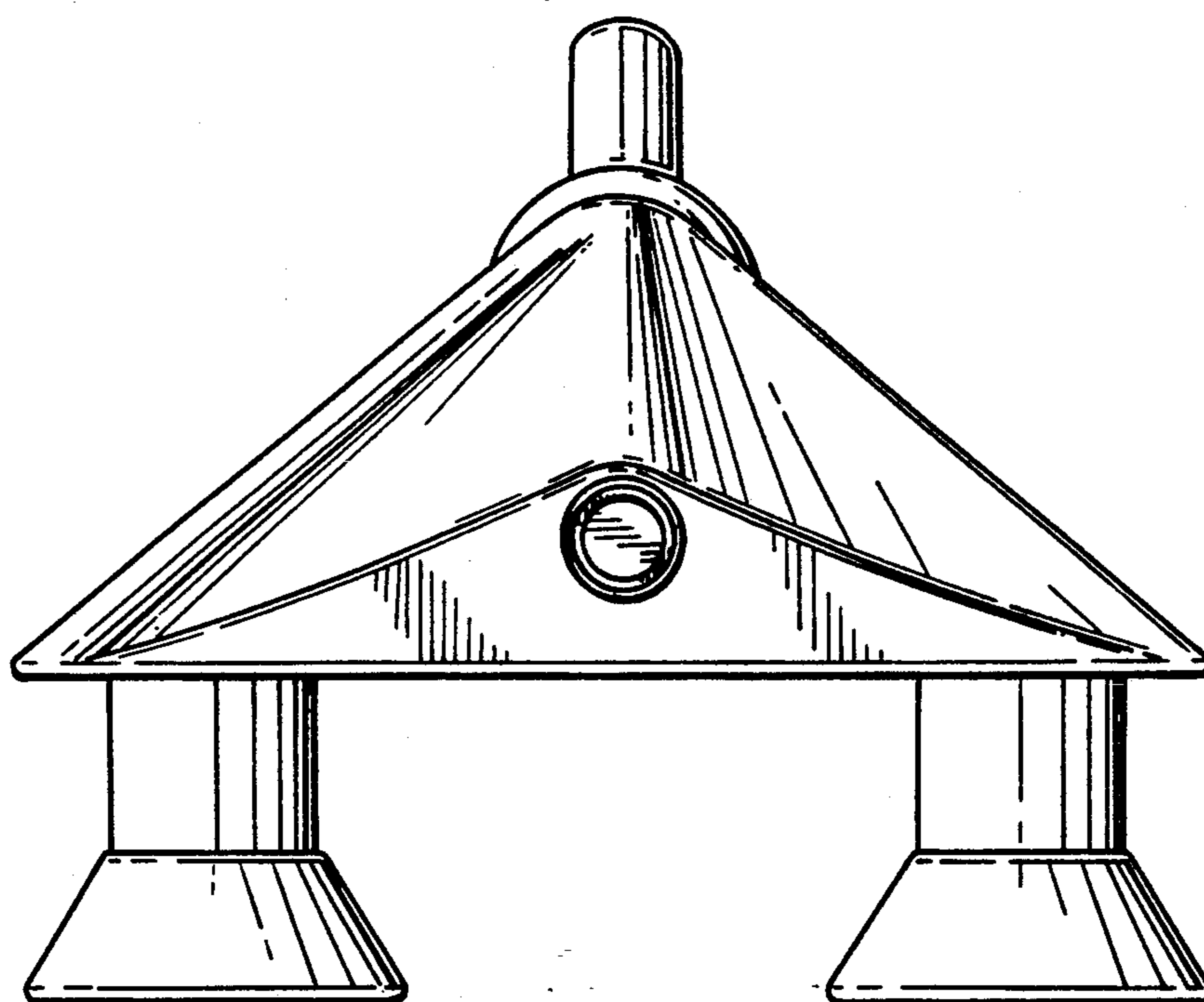


FIG. 6

UNITED STATES PATENT AND TRADEMARK OFFICE  
**CERTIFICATE OF CORRECTION**

PATENT NO. : Des. 333,864  
DATED : March 9, 1993  
INVENTOR(S) : Philippe Chretien

It is certified that error appears in the above-identified patent and that said Letters Patent is hereby corrected as shown below:

On the title page, Item [30],

The Foreign Application Priority Data is incorrect, should read:

--Apr. 9, 1990 [XH] Hague.....DM/016382--.

Signed and Sealed this  
Eighteenth Day of January, 1994

Attest:



BRUCE LEHMAN

Attesting Officer

Commissioner of Patents and Trademarks