



US00D333863S

United States Patent [19]

[11] Patent Number: **Des. 333,863**

Kimmons

[45] Date of Patent: **** Mar. 9, 1993**

[54] **CHEMICAL MIXING CONTAINER FOR SPRINKLERS**

4,768,712 9/1988 Terrell .
4,823,829 4/1989 Woods 239/310 X
4,838,703 6/1989 McMaster .

[76] Inventor: **Tonnie Kimmons, 2111 W. 68th Pl., Chicago, Ill. 60636**

Primary Examiner—Wallace R. Burke
Assistant Examiner—M. H. Tung
Attorney, Agent, or Firm—Terry M. Gernstein

[**] Term: **14 Years**

[21] Appl. No.: **630,956**

[57] **CLAIM**

[22] Filed: **Dec. 20, 1990**

The ornamental design for a chemical mixing container for sprinklers, as shown and described.

[52] U.S. Cl. **D23/214**

[58] Field of Search 137/268, 896-898; 239/650, 302, 308, 310-313; D23/200, 213, 225

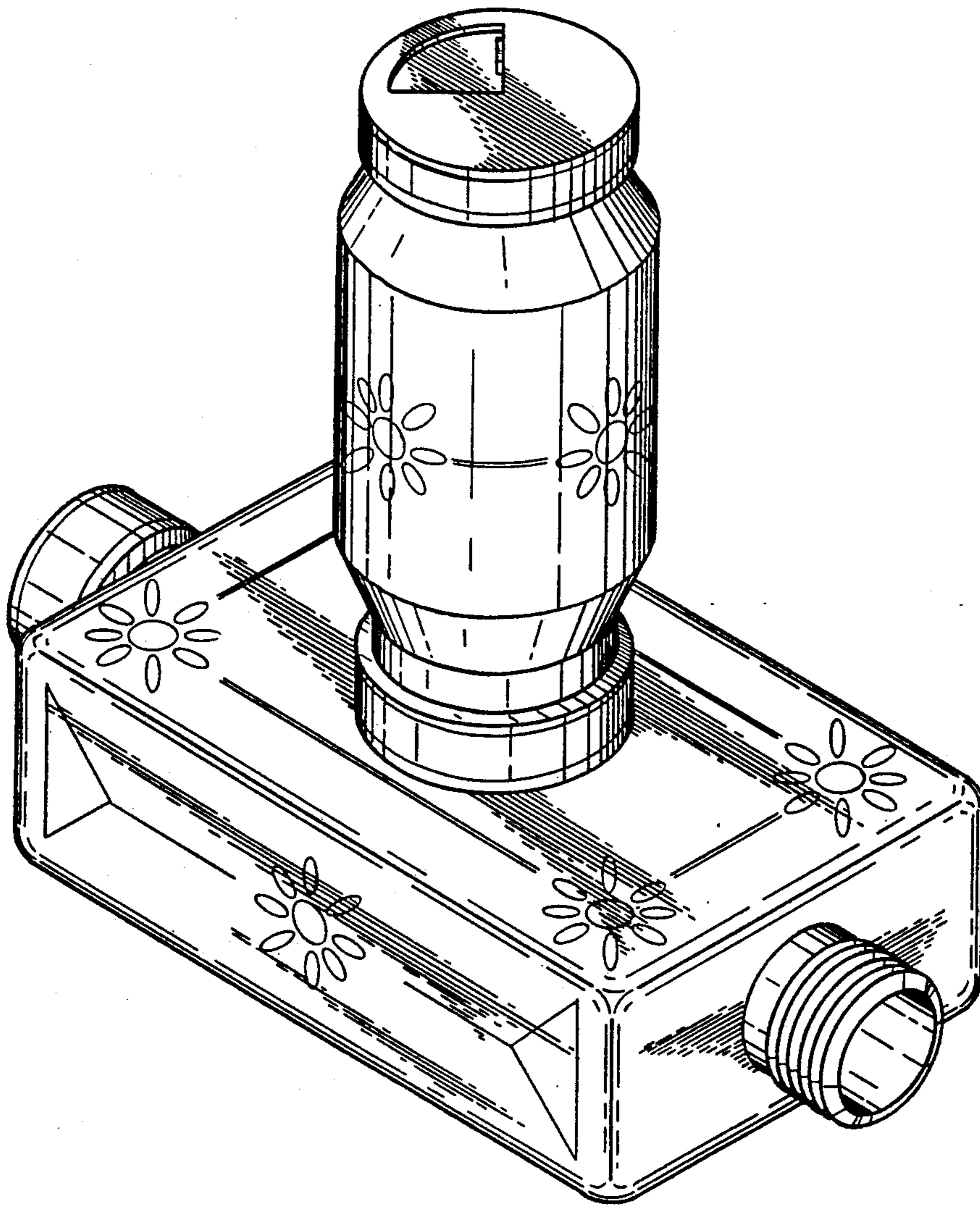
DESCRIPTION

[56] **References Cited**

FIG. 1 is a perspective view of a chemical mixing container for sprinklers showing my new design; FIG. 2 is a front elevational view thereof, the rear view being a mirror image; FIG. 3 is an end elevational view thereof; FIG. 4 is an opposite end elevational view thereof; FIG. 5 is a top plan view thereof; and, FIG. 6 is a bottom plan view thereof.

U.S. PATENT DOCUMENTS

2,072,124 3/1937 Neuman 239/313 X
2,789,010 4/1957 Dean 239/310 X
3,134,545 5/1964 Armond 239/312
3,174,691 3/1965 Haviland 239/310 X
4,750,512 6/1988 Craig .



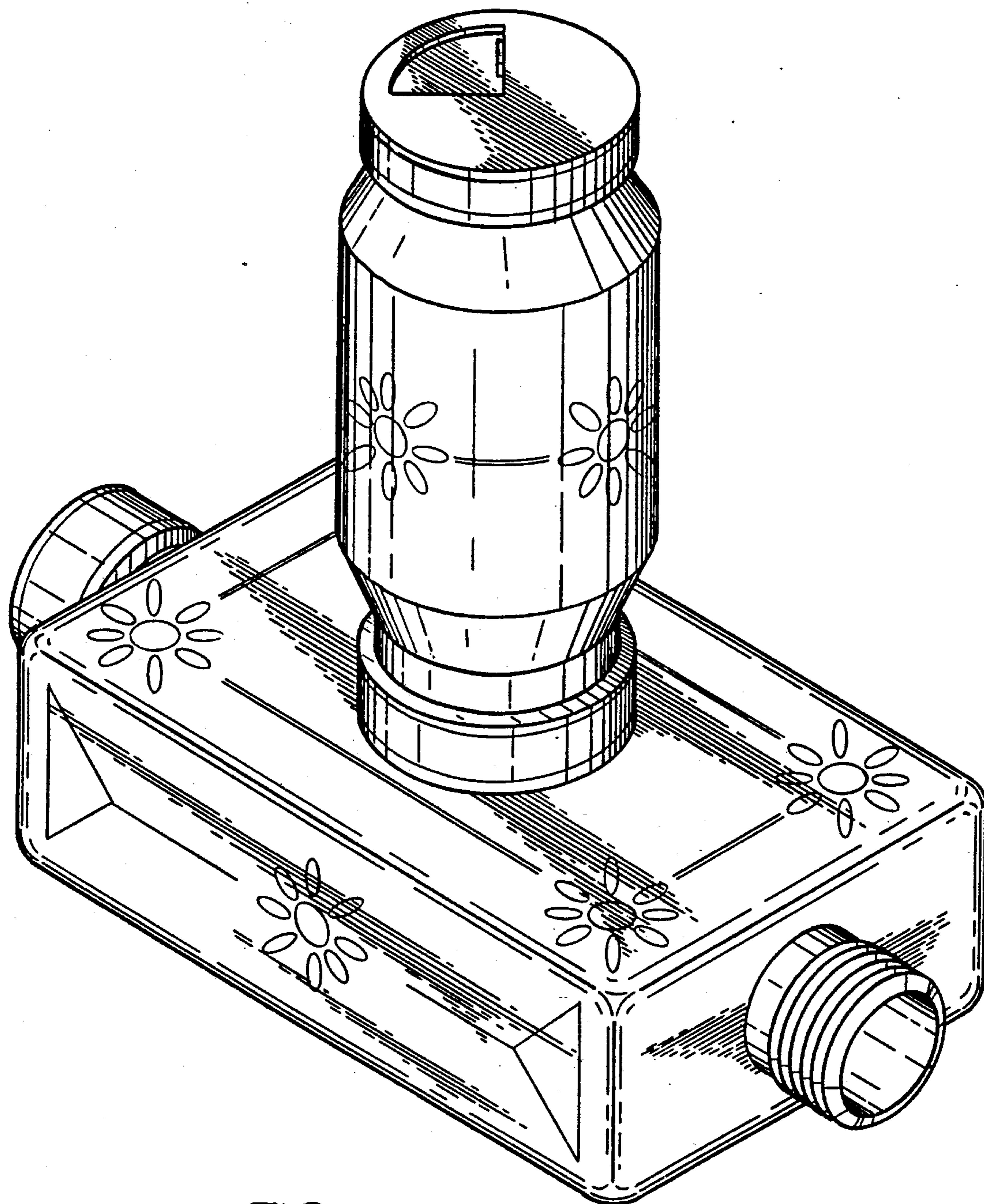


FIG. 1

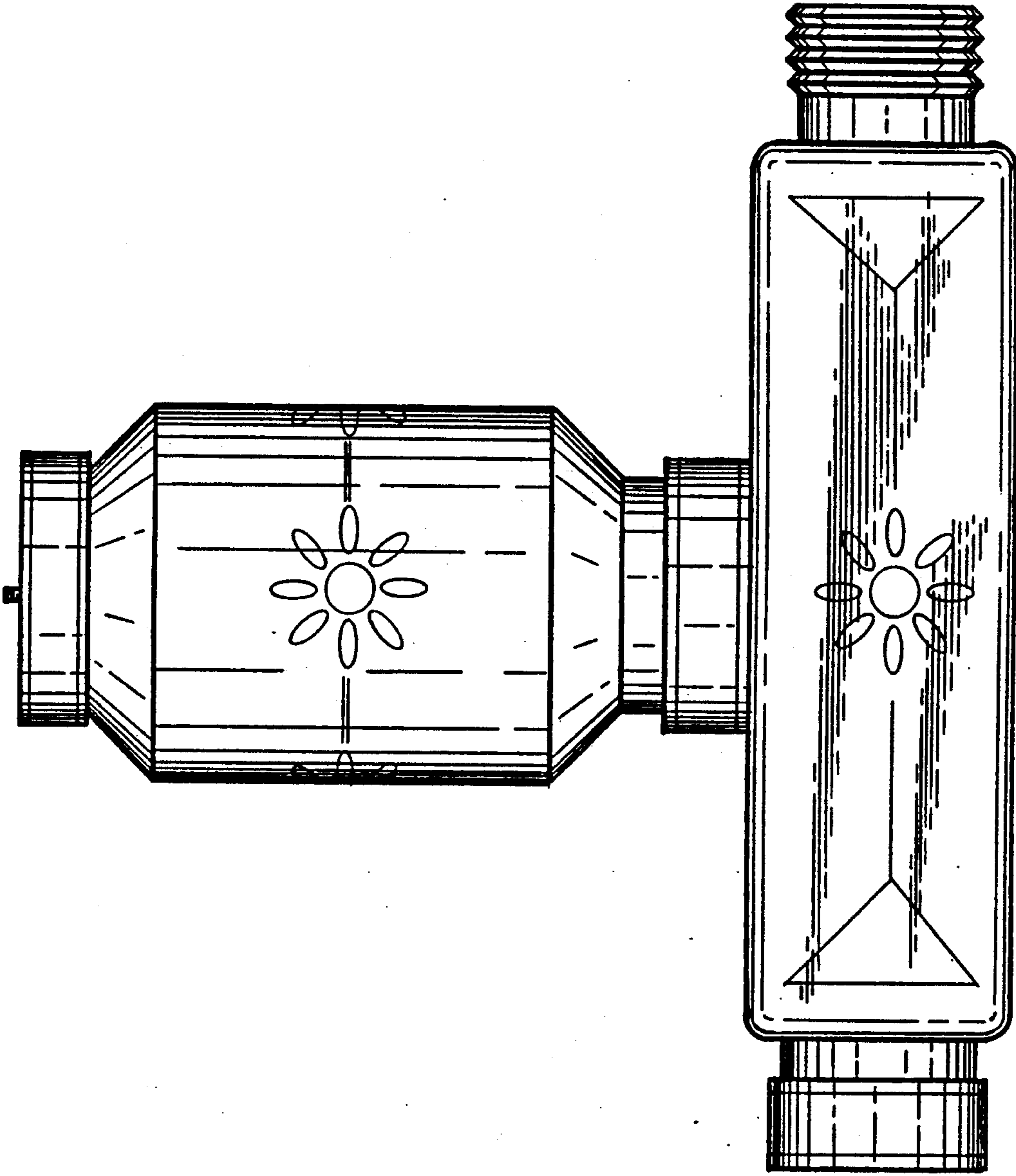


FIG. 2

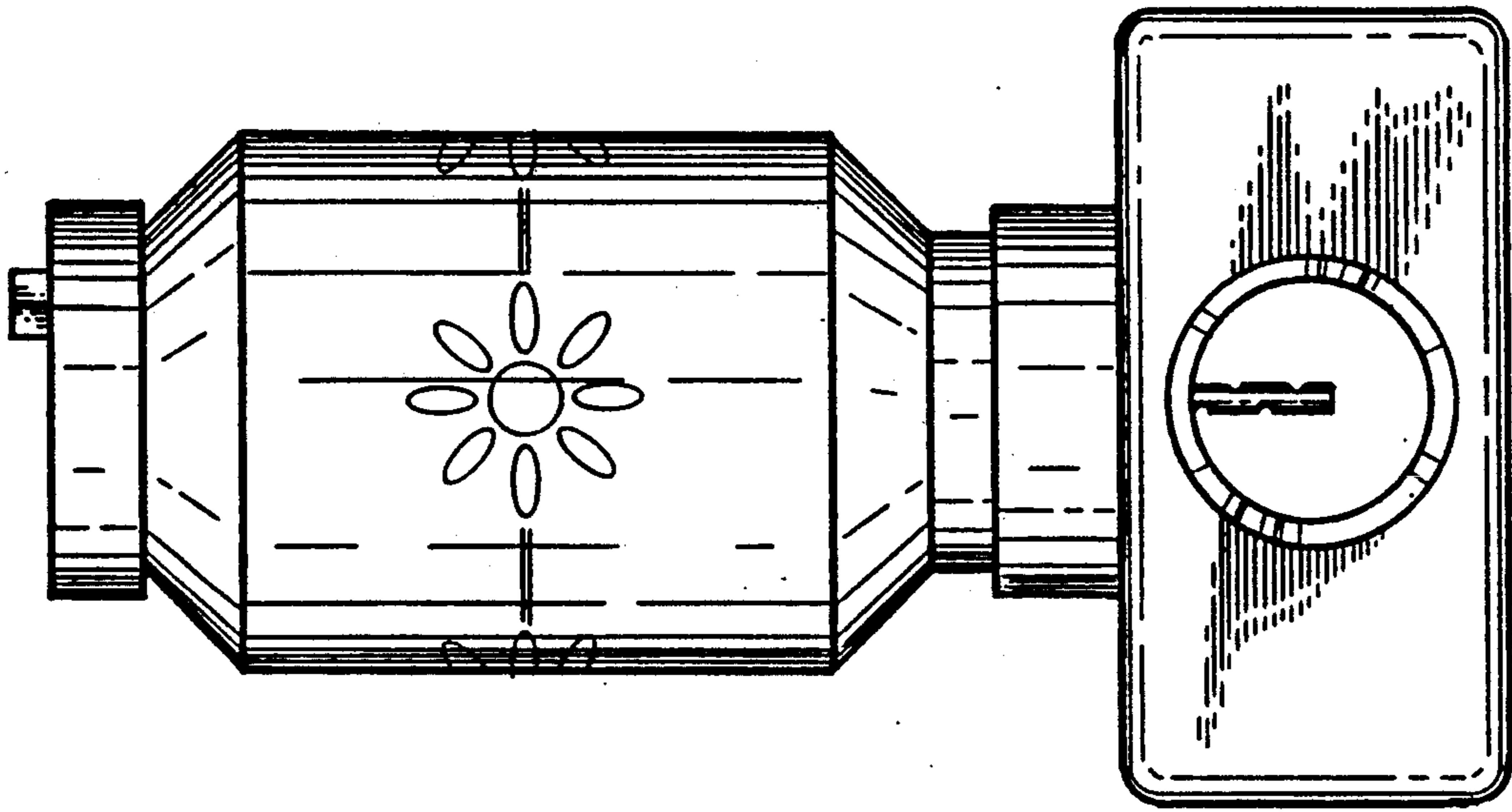


FIG. 4

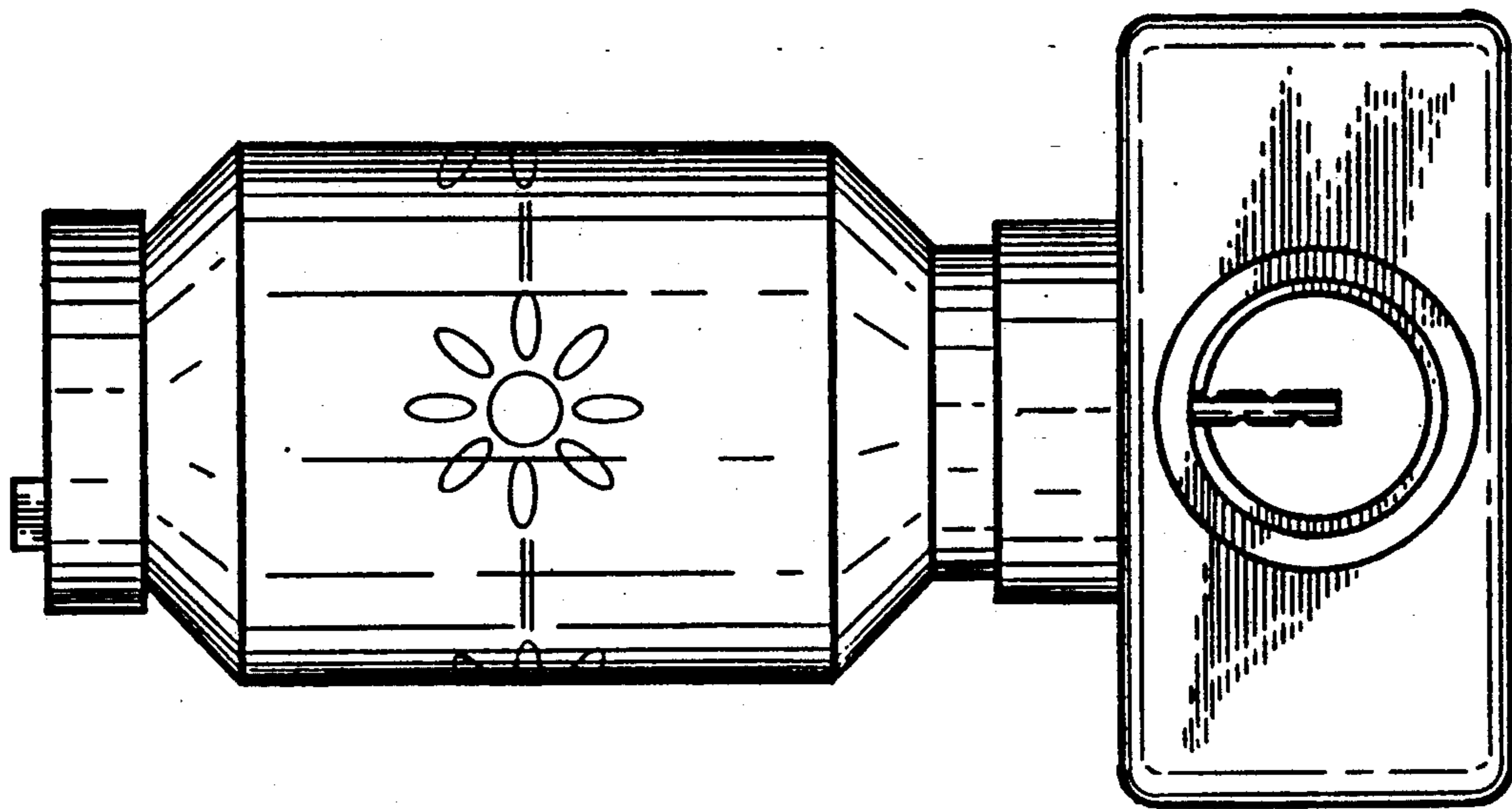


FIG. 3

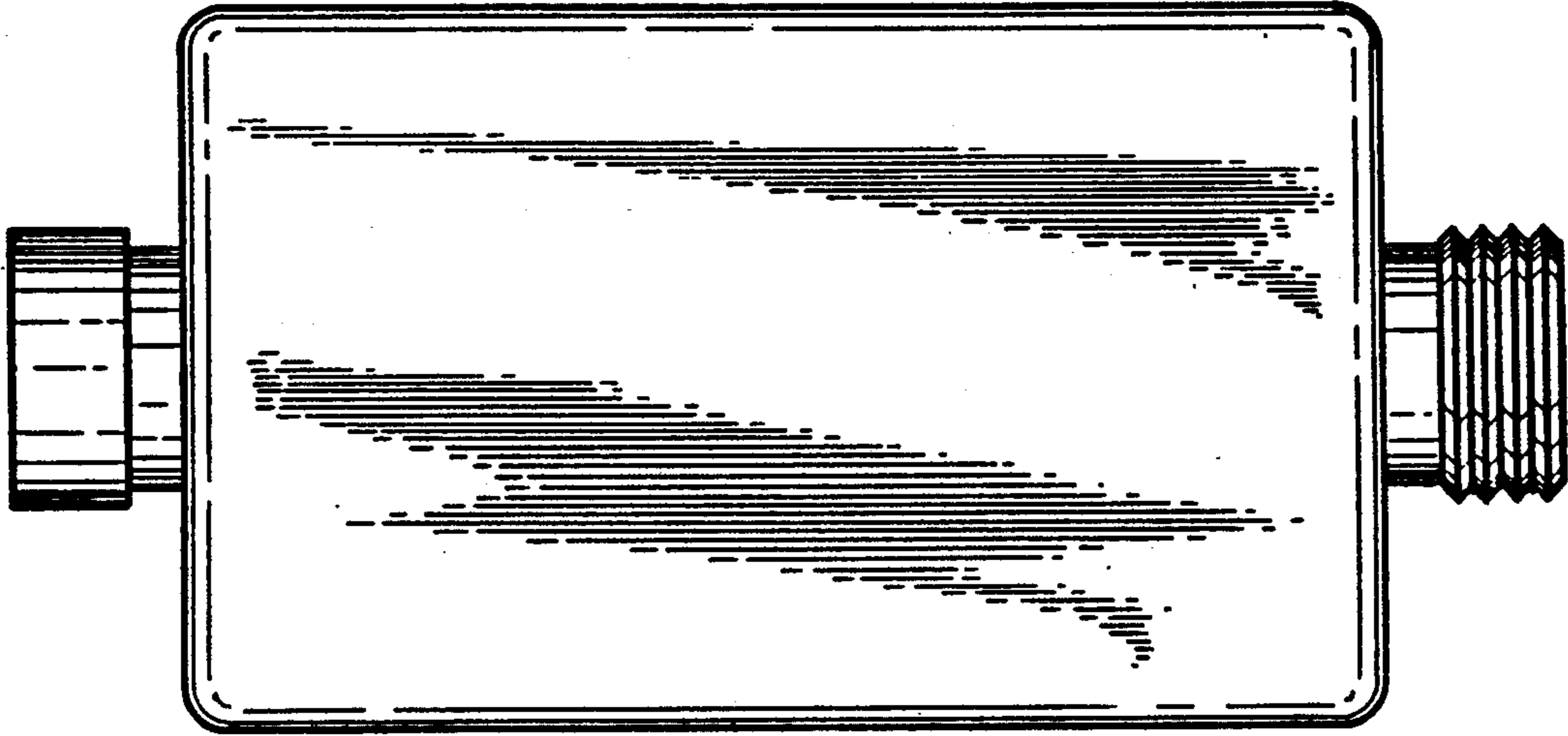


FIG. 6

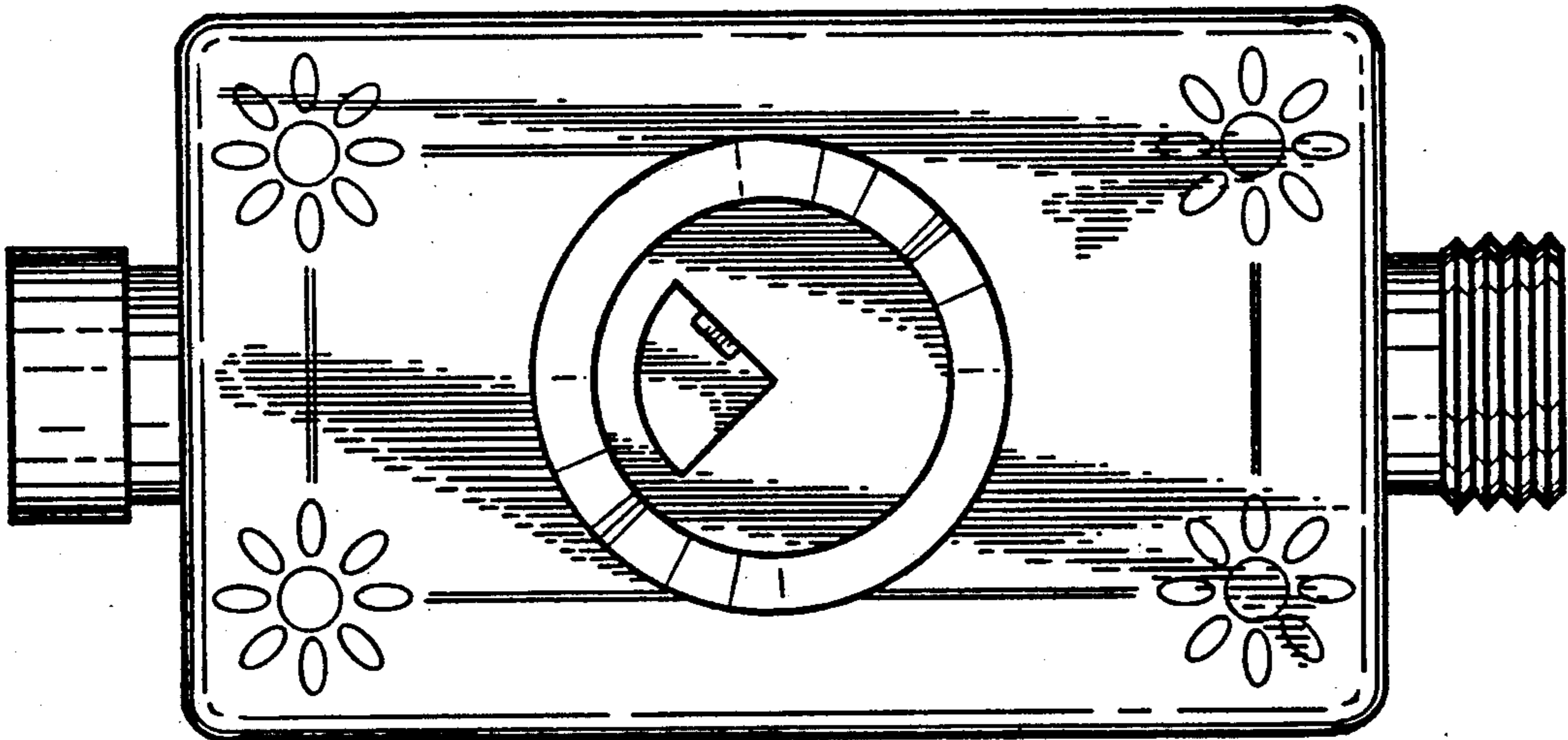


FIG. 5