



US00D333851S

United States Patent [19]

Olsen

[11] Patent Number: Des. 333,851

[45] Date of Patent: ** Mar. 9, 1993

[54] ELEMENT FOR A TOY BUILDING SET

[75] Inventor: Flemming H. Olsen, Espergae rde, Denmark

[73] Assignee: Interlego A.G., Baar, Switzerland

[**] Term: 14 Years

[21] Appl. No.: 789,129

[22] Filed: Nov. 6, 1991

[52] U.S. Cl. D21/108

[58] Field of Search D21/108, 139, 141; 446/104, 128

1,678,709	7/1928	Schurmann	446/104
4,631,040	12/1986	Shiraishi	446/95
5,049,104	9/1991	Olsen	446/104

Primary Examiner—Bernard Ansher
Assistant Examiner—R. Barkai
Attorney, Agent, or Firm—Kane, Dalsimer, Sullivan, Kurucz, Levy, Eisele and Richard

[57] CLAIM

The ornamental design for an element for a toy building set, as shown and described.

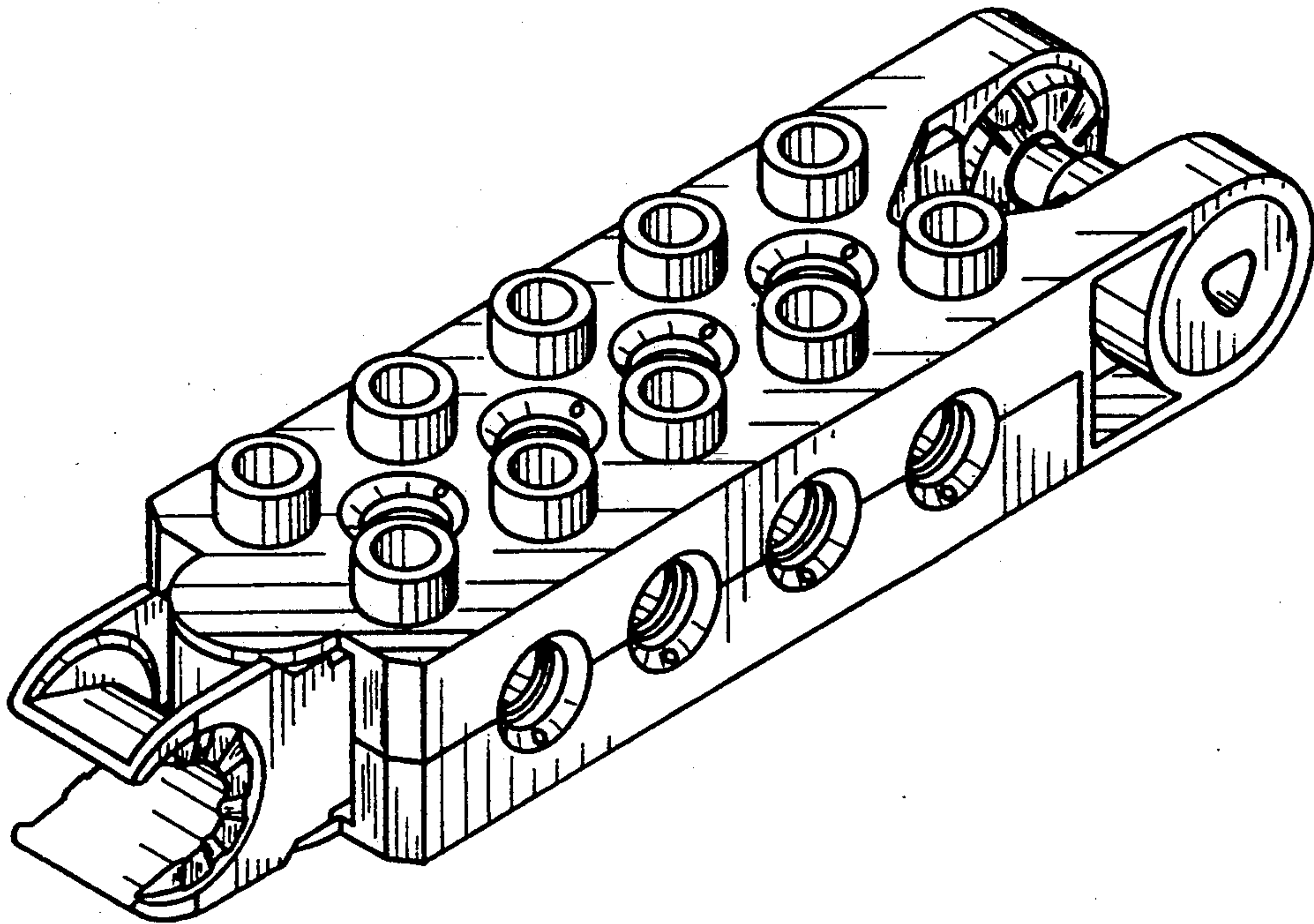
DESCRIPTION

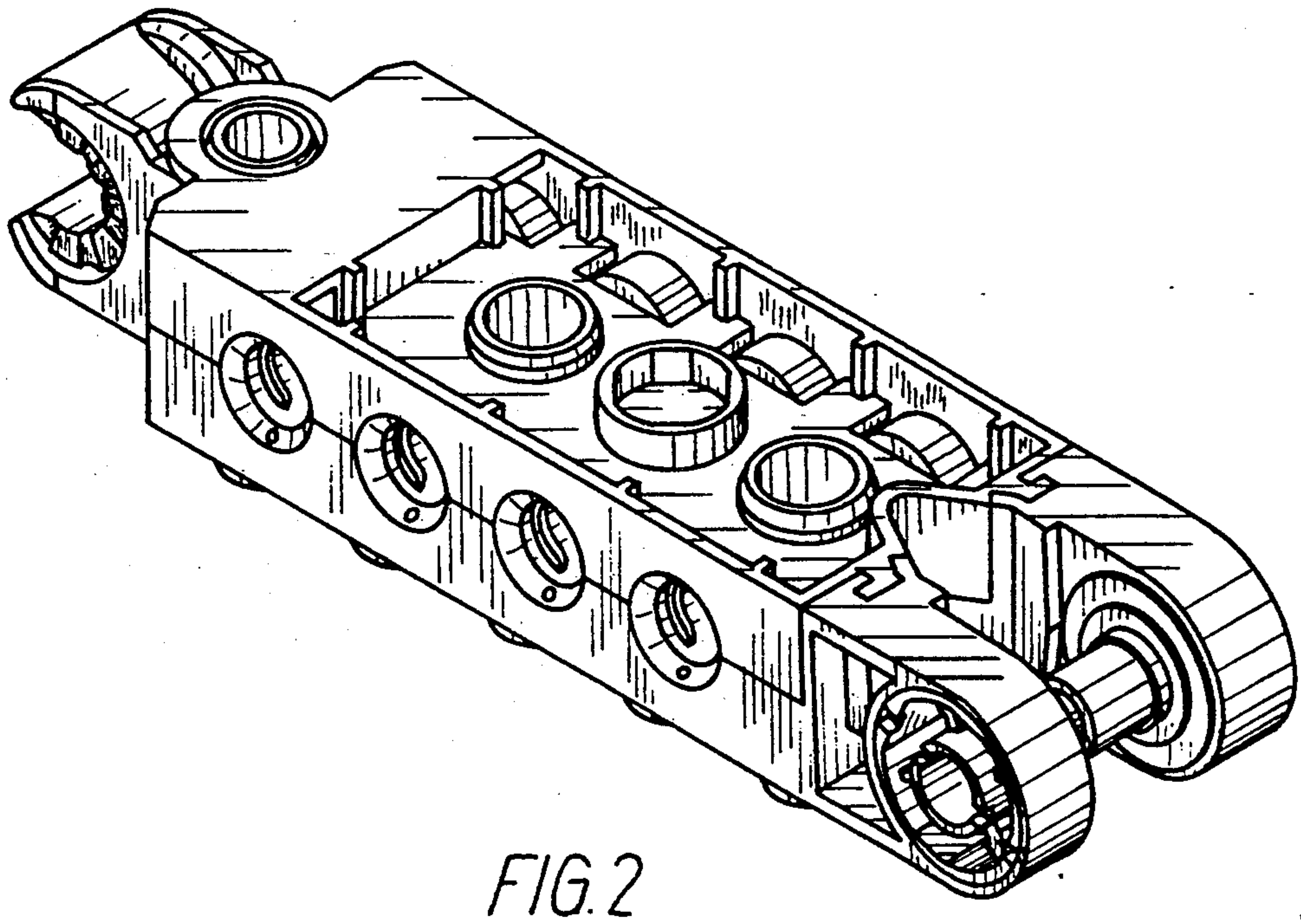
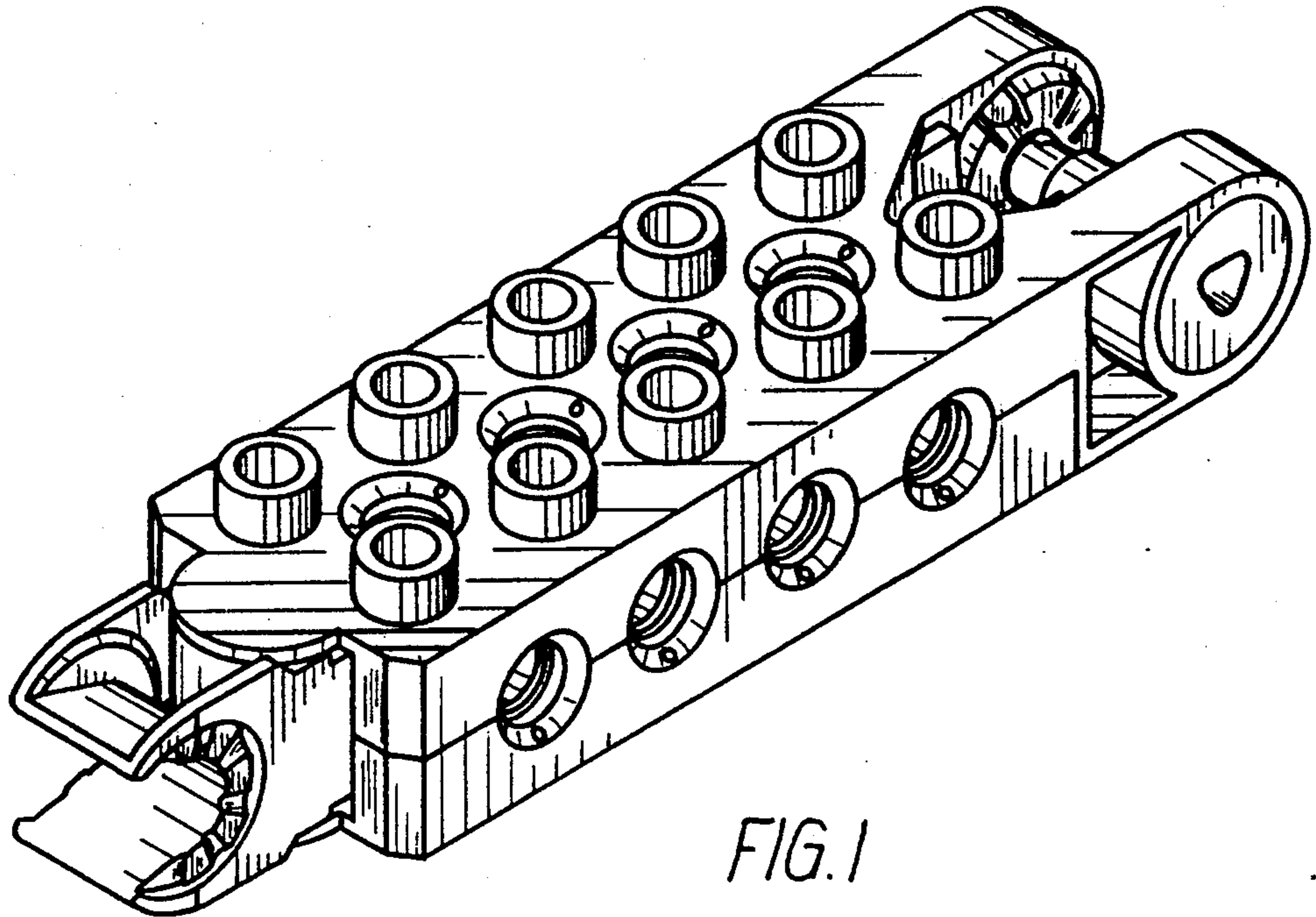
FIG. 1 is a top perspective view of the element for a toy building set showing my new design; FIG. 2 is a bottom perspective view thereof; FIG. 3 is a right side elevational view thereof; FIG. 4 is a front elevational view thereof; FIG. 5 is a left side elevational view thereof; FIG. 6 is a rear elevational view thereof; FIG. 7 is a top plan view thereof; and, FIG. 8 is a bottom plan view thereof.

[56] References Cited

U.S. PATENT DOCUMENTS

D. 290,721	7/1987	Ryaa	D21/108
D. 315,182	3/1991	Olsen	D21/108
D. 317,475	6/1991	Olsen	D21/108
D. 317,955	7/1991	Olsen	D21/108
D. 326,874	6/1992	Dideriksen	D21/108





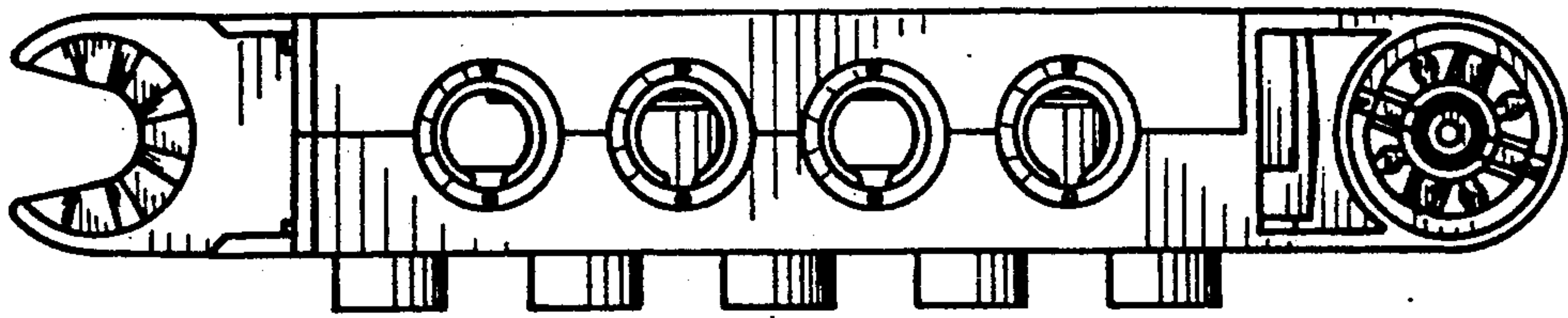


FIG. 3

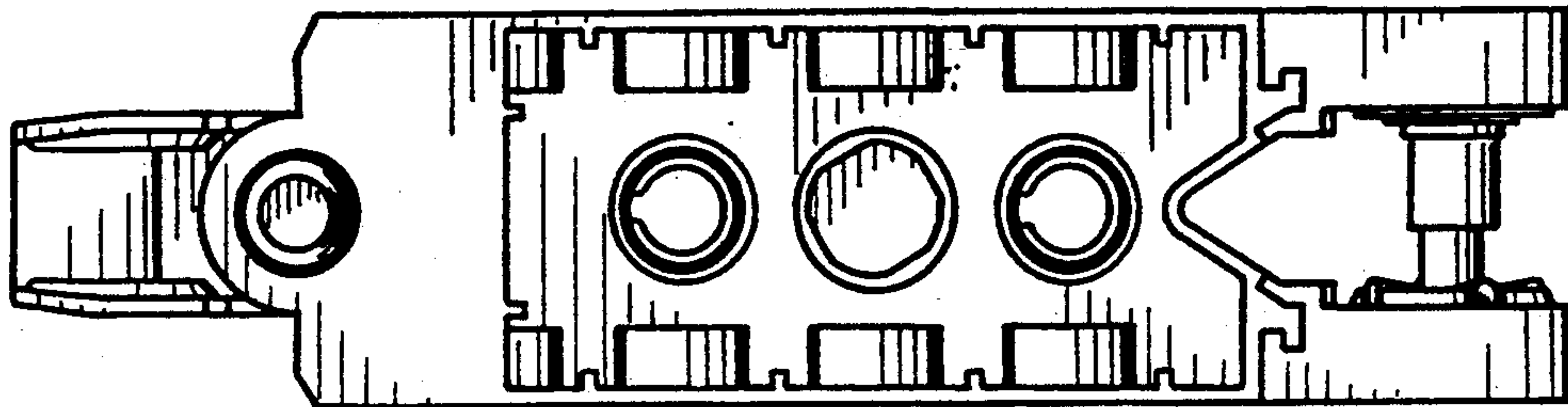


FIG. 8

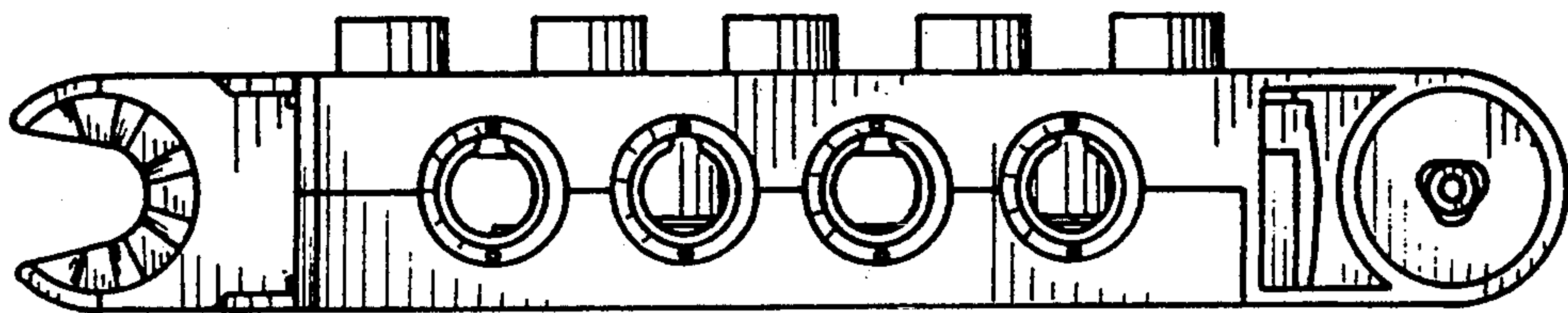


FIG. 5

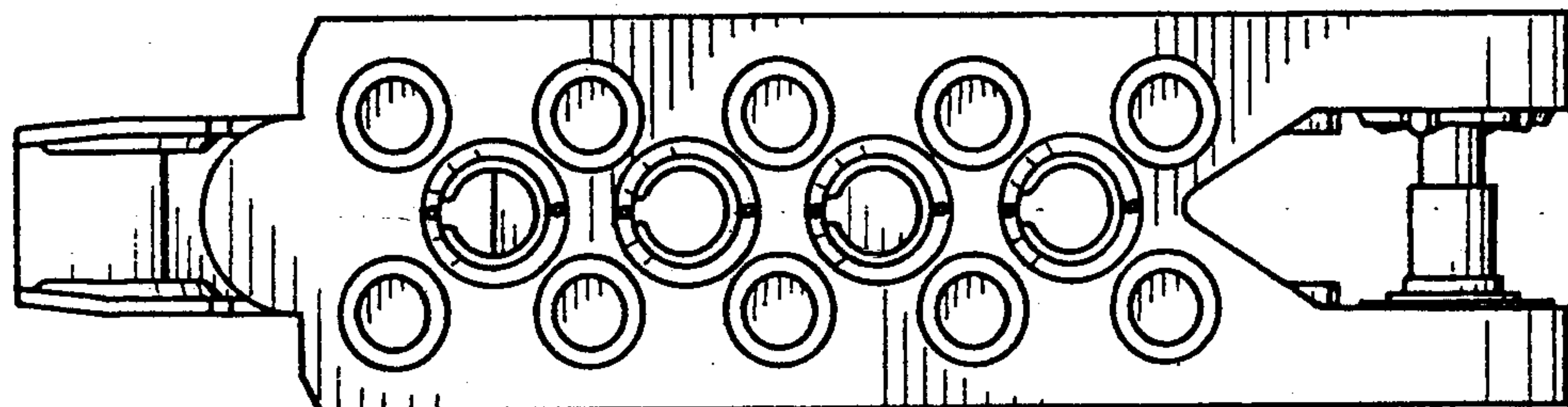


FIG. 7

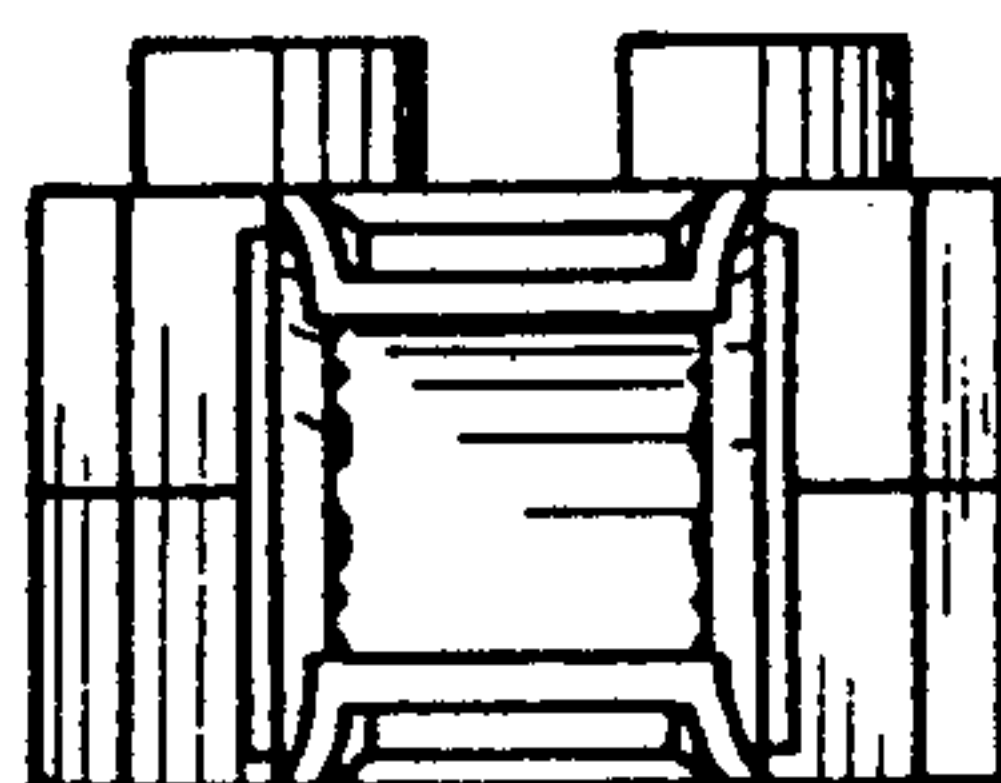


FIG. 4

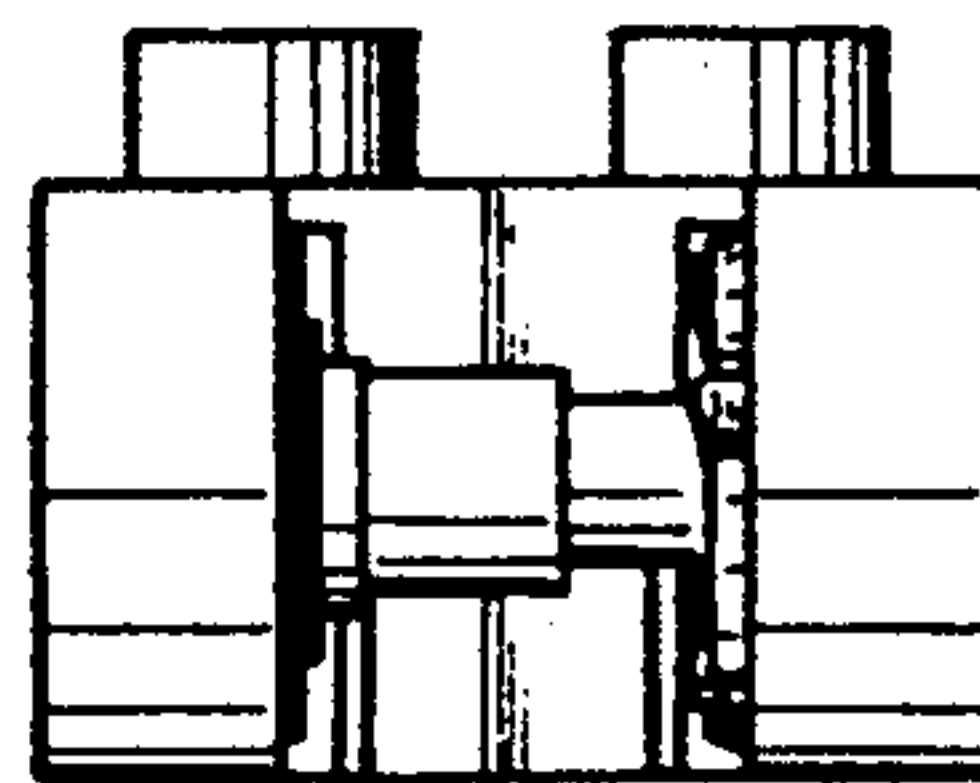


FIG. 6