



US00D333848S

United States Patent [19]

[11] Patent Number: **Des. 333,848**

Tse

[45] Date of Patent: **** Mar. 9, 1993**

[54] **JOY STICK**

4,658,666 4/1987 Liu 273/148 B X

[75] Inventor: **Michael K. Tse, Kowloon, Hong Kong**

OTHER PUBLICATIONS

Merchandising, Mar. 1983, p. 53, Joy Sticks as shown.

[73] Assignee: **STD Electronic International Ltd., Hong Kong, Hong Kong**

Primary Examiner—Bernard Ansher
Assistant Examiner—Deshmukh Prabhakar
Attorney, Agent, or Firm—Burns, Doane, Swecker & Mathis

[**] Term: **14 Years**

[21] Appl. No.: **733,249**

[57] CLAIM

[22] Filed: **Jul. 22, 1991**

The ornamental design for a joy stick, as shown and described.

[52] U.S. Cl. **D21/48**

[58] Field of Search **D21/13, 48; 273/148 B, 273/433-438, DIG. 28**

DESCRIPTION

[56] References Cited

U.S. PATENT DOCUMENTS

- D. 269,608 7/1983 Kim D21/13 X
- D. 317,946 7/1991 Tse D21/48
- D. 317,949 7/1991 Tse D21/48
- 4,439,649 3/1984 Cecchi 273/438 X

FIG. 1 is a front elevational view of a joy stick showing my new design;

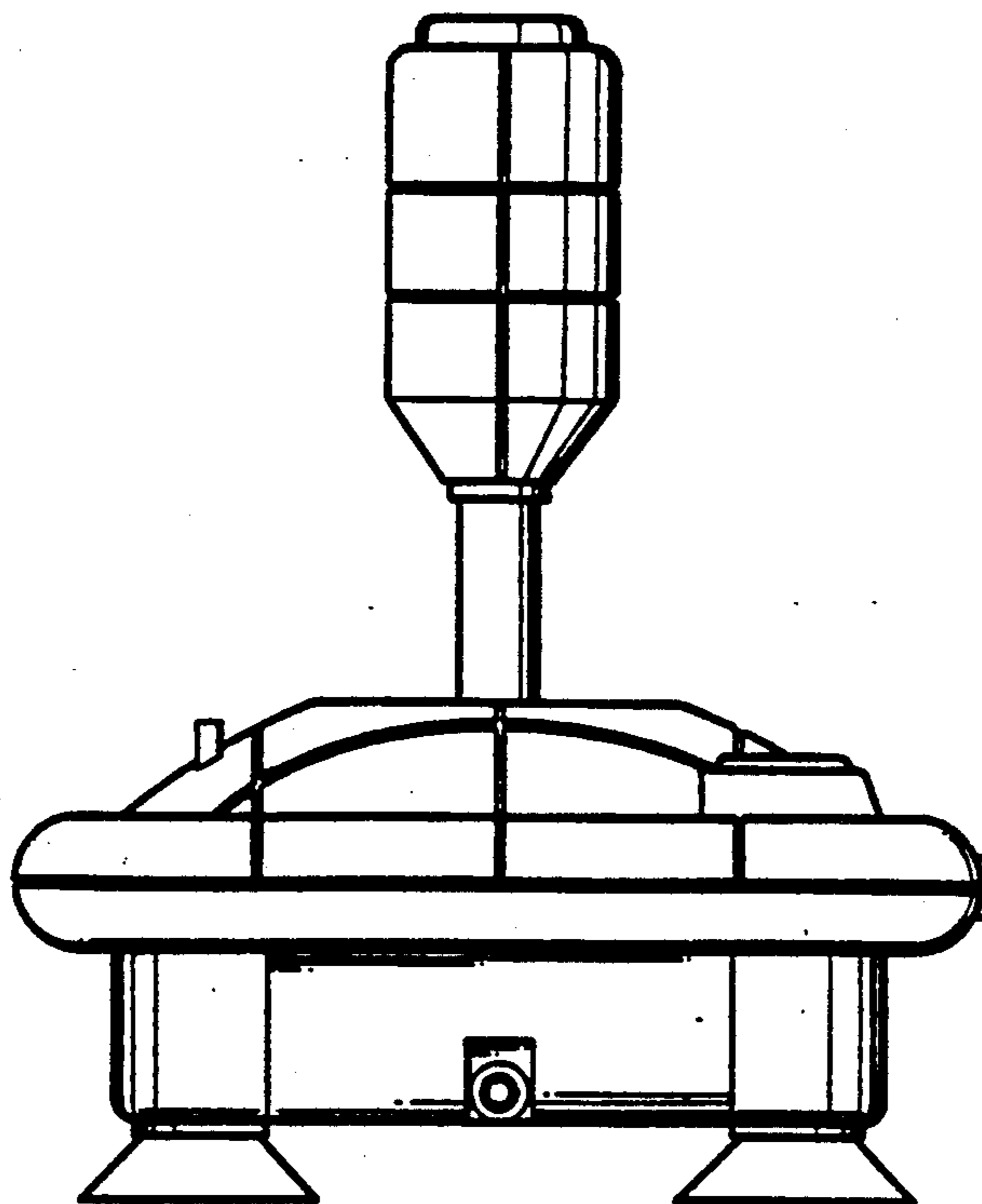
FIG. 2 is a rear elevational view thereof;

FIG. 3 is a left side elevational view thereof;

FIG. 4 is a right side elevational view thereof;

FIG. 5 is a top plan view thereof; and,

FIG. 6 is a bottom plan view thereof.



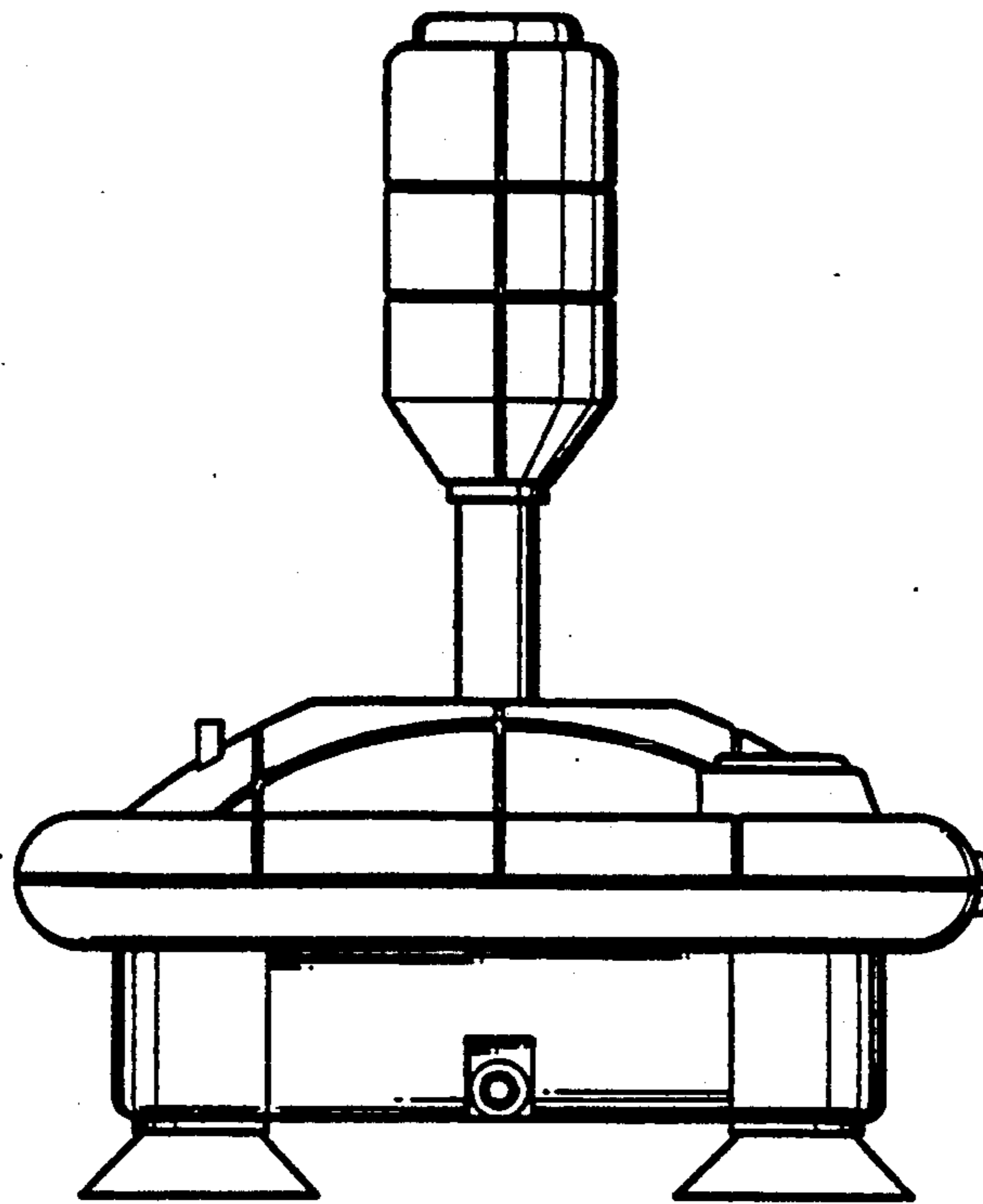


FIGURE 1

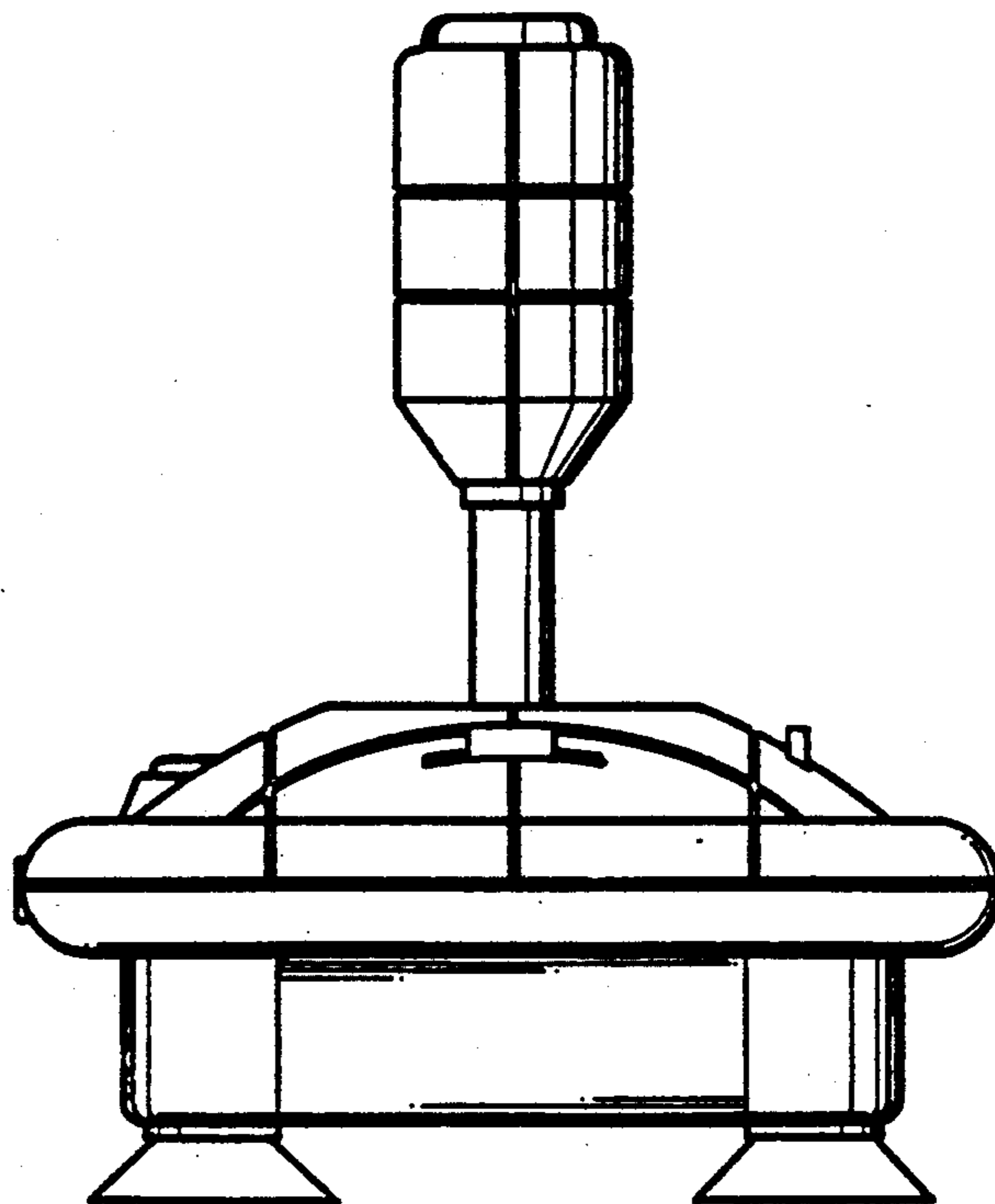


FIGURE 2

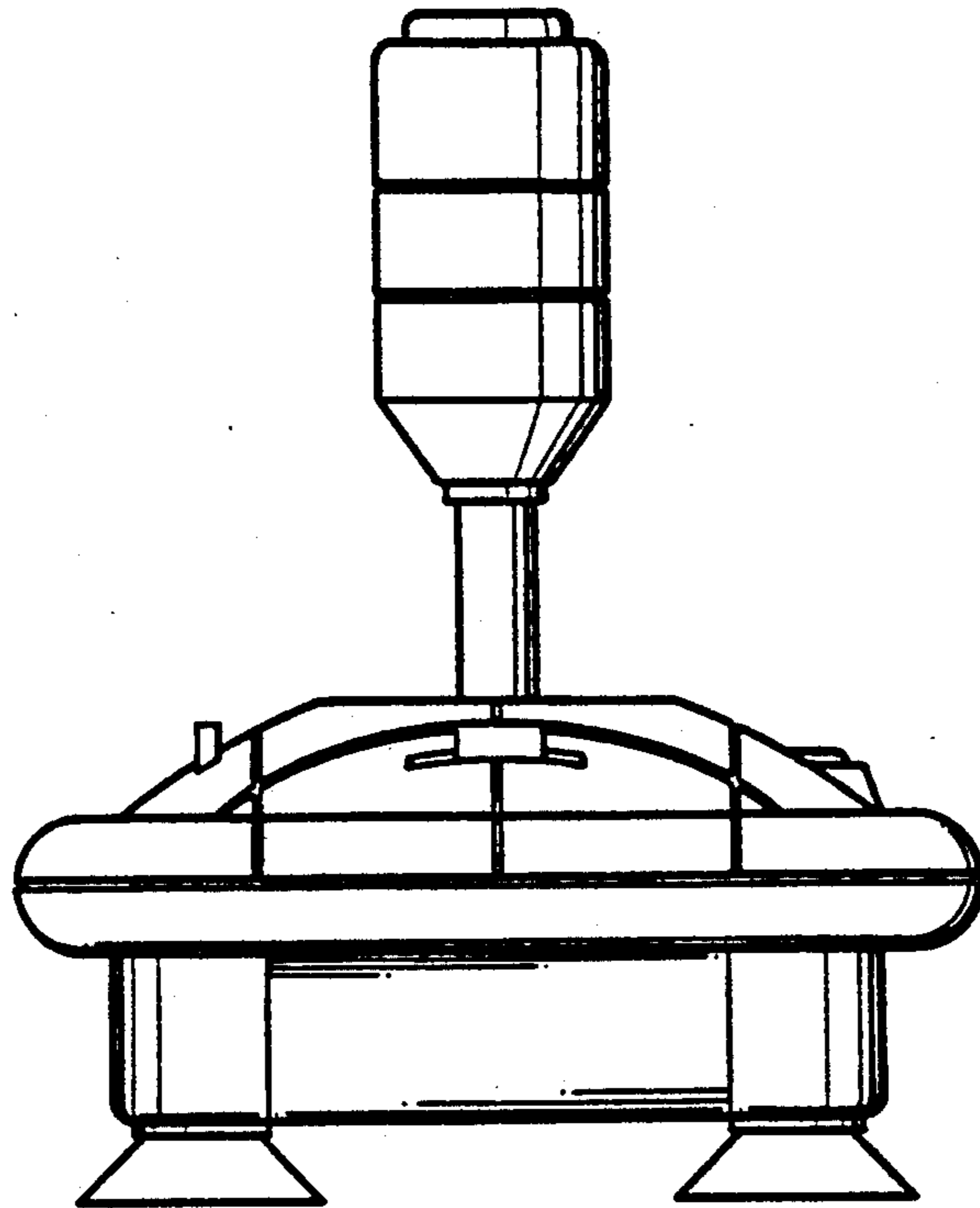


FIGURE 3

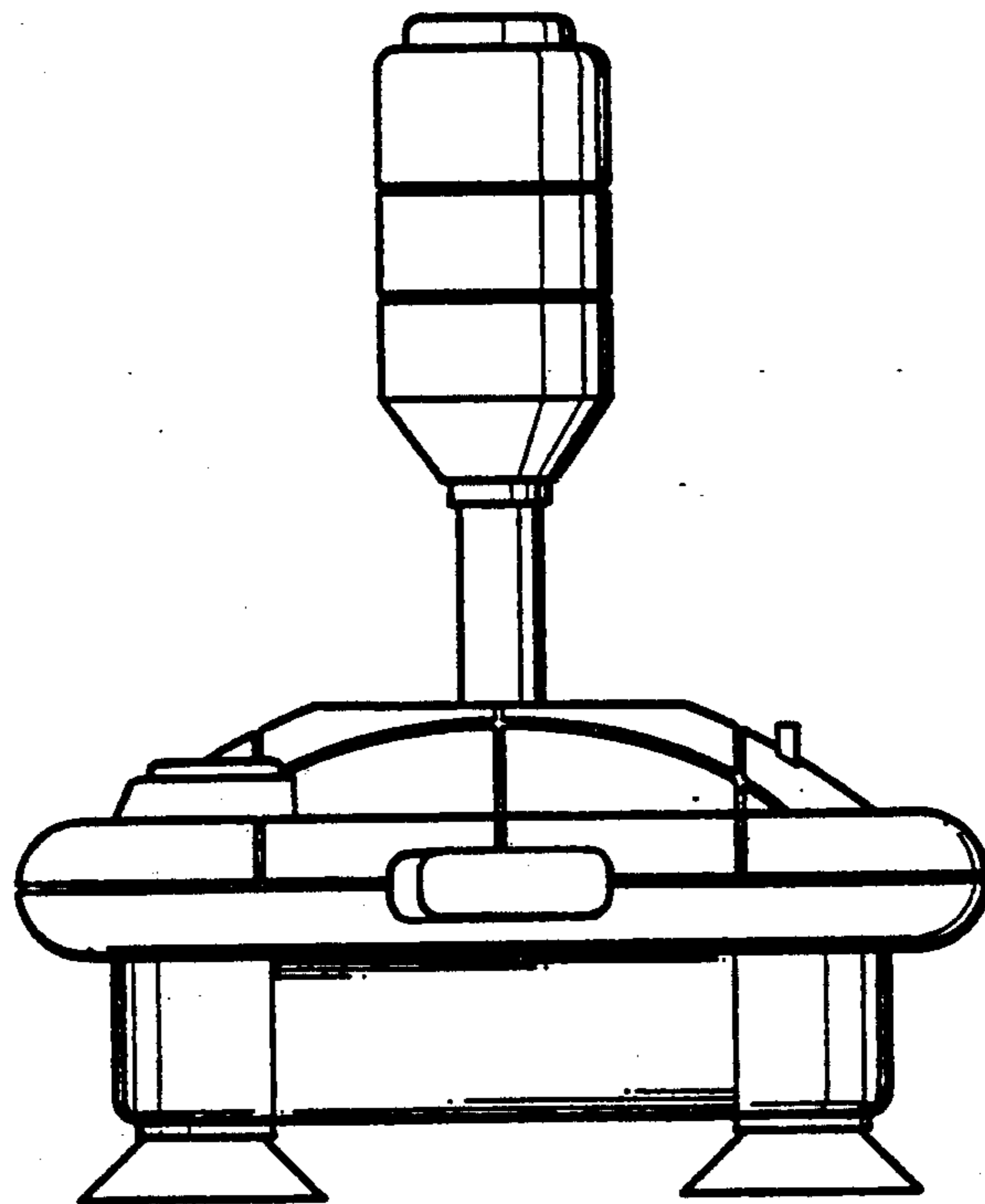


FIGURE 4

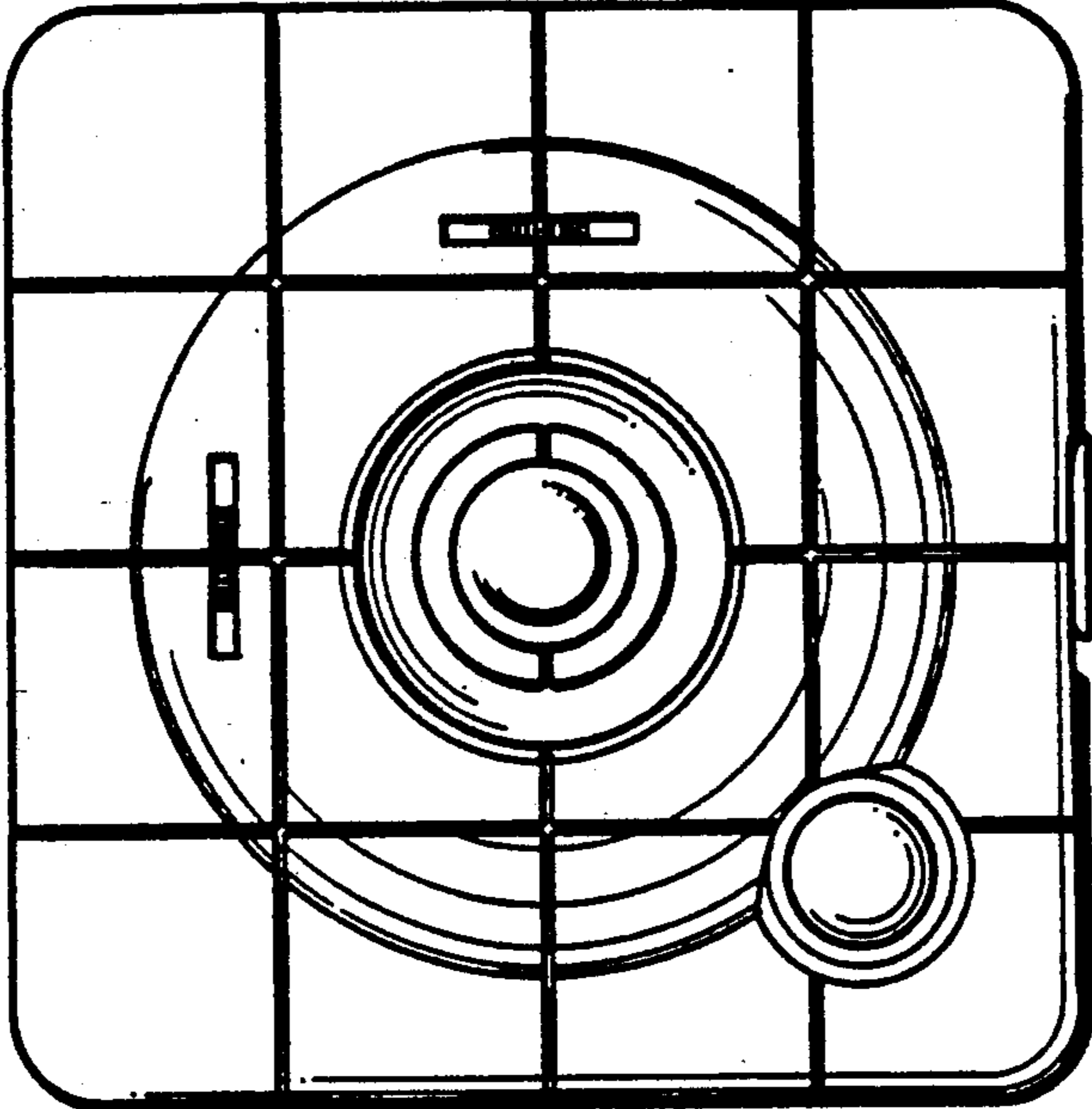


FIGURE 5

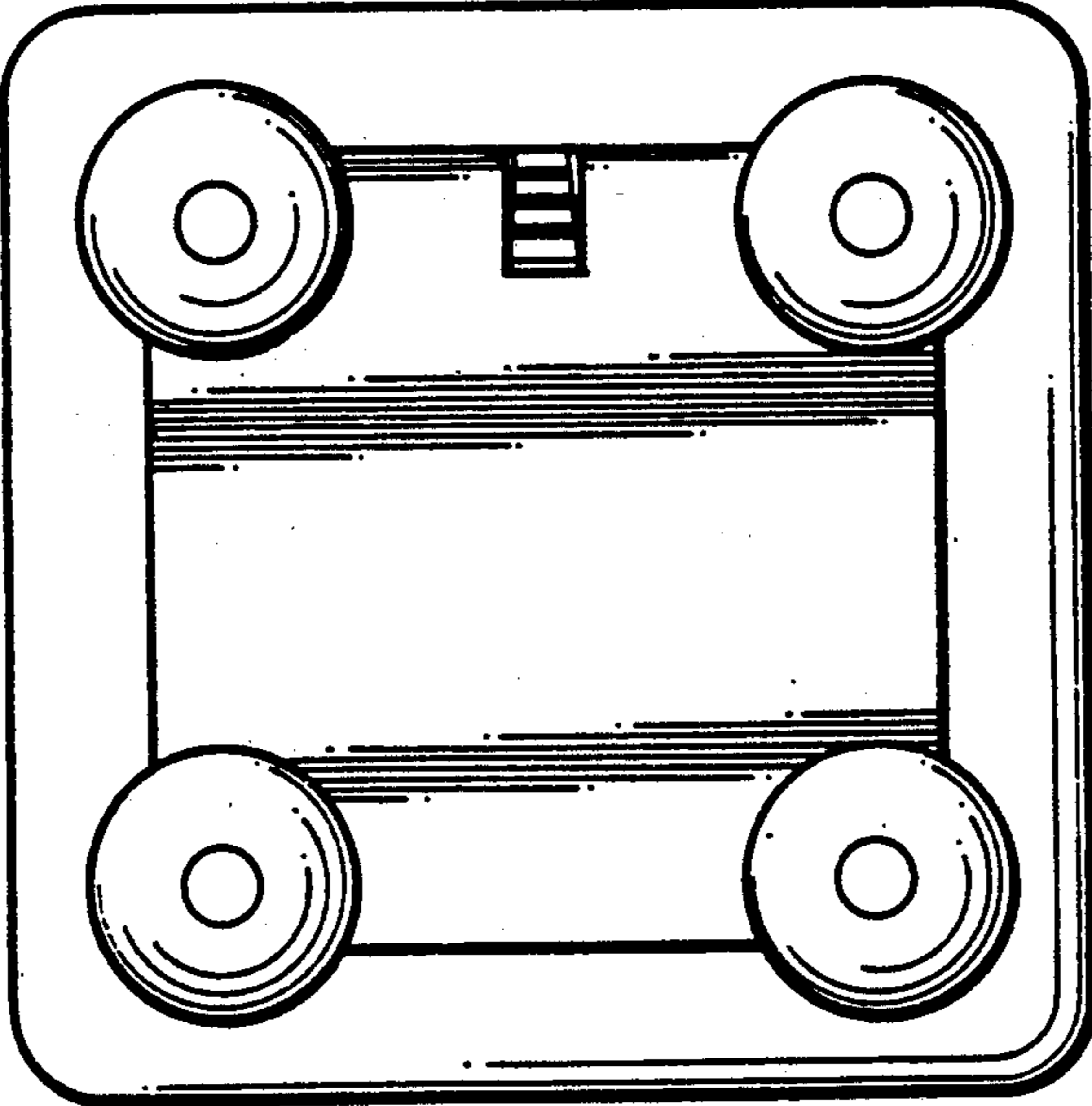


FIGURE 6