



US00D333843S

United States Patent [19]

[11] Patent Number: **Des. 333,843**

Hartmann et al.

[45] Date of Patent: **** Mar. 9, 1993**

[54] **COMBINED HOLDER FOR NOTE PAPER AND A WRITING INSTRUMENT**

D. 313,047	12/1990	Colani	D19/78
D. 319,262	8/1991	Brinker et al.	D19/76
D. 328,102	7/1992	Buzak	D19/92
1,739,801	12/1929	Pitts	206/829 X

[75] Inventors: **Jerome Hartmann, Carlisle; John Schenken; Charles A. Haas**, both of Des Moines, all of Iowa

Primary Examiner—Nelson C. Holtje
Assistant Examiner—Martha Thompson
Attorney, Agent, or Firm—Dick and Harris

[73] Assignee: **Cobbs Manufacturing Company**, Des Moines, Iowa

[57] **CLAIM**

[**] Term: **14 Years**

The ornamental design for a combined holder for note paper and a writing instrument, as shown and described.

[21] Appl. No.: **822,990**

DESCRIPTION

[22] Filed: **Jan. 21, 1992**

[52] U.S. Cl. **D19/78; D19/86; D19/83; D19/92**

[58] Field of Search **D19/75, 76, 81-85, D19/78, 86, 88, 90, 92, 99, 100; 211/69.1-69.9; 206/214, 215, 555, 371, 829; 40/371-381, 388**

FIG. 1 is a bottom, left front perspective view of a combined holder for note paper and a writing instrument showing our new design;
 FIG. 2 is a bottom, left front perspective view with the cover member in an open position;
 FIG. 3 is a top, left front perspective view with the attaching member in an alternative position;
 FIG. 4 is a front elevational view of FIG. 1;
 FIG. 5 is a rear elevational view of FIG. 1;
 FIG. 6 is a right side elevational view of FIG. 1;
 FIG. 7 is a left side elevational view of FIG. 1;
 FIG. 8 is a top plan view of FIG. 1; and,
 FIG. 9 is a bottom plan view of FIG. 1.

[56] **References Cited**

U.S. PATENT DOCUMENTS

D. 119,284	3/1940	Rosenberg	D19/78
D. 176,366	12/1955	McFadyen	D19/78
D. 176,605	1/1956	Fitzgerald	D19/78
D. 299,475	1/1989	Munnik	D19/78

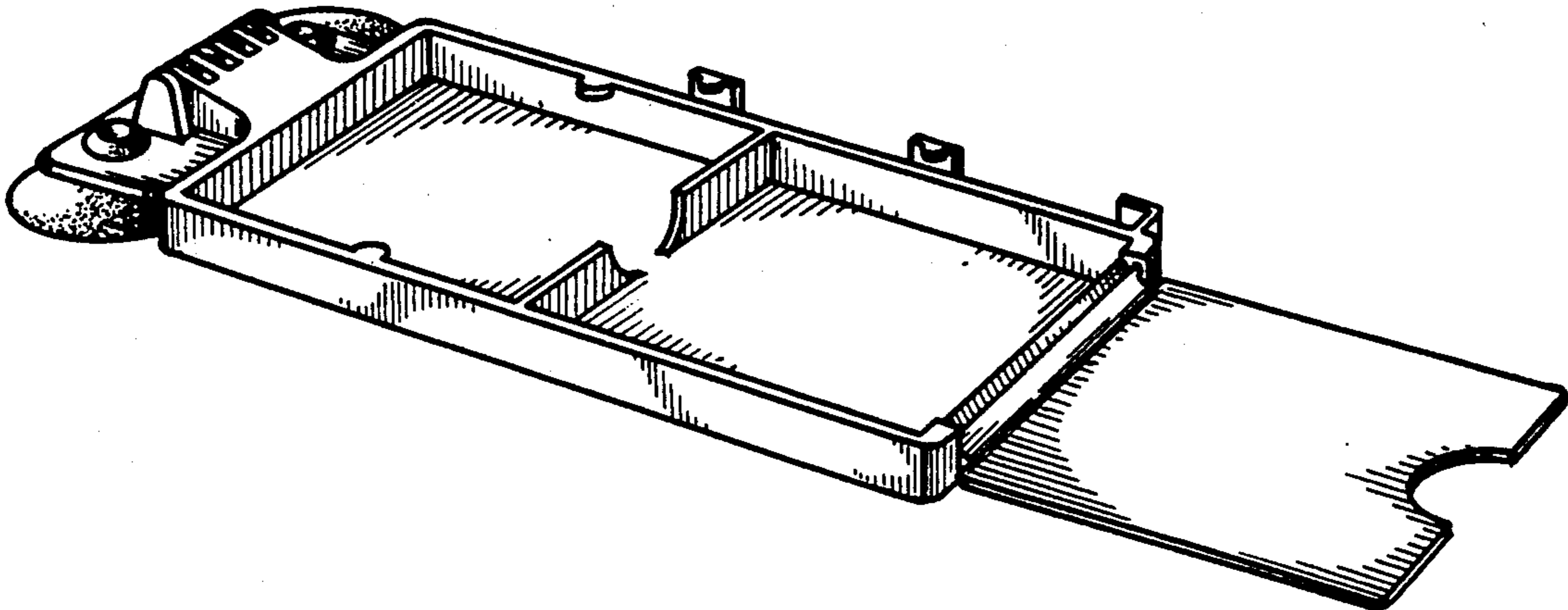
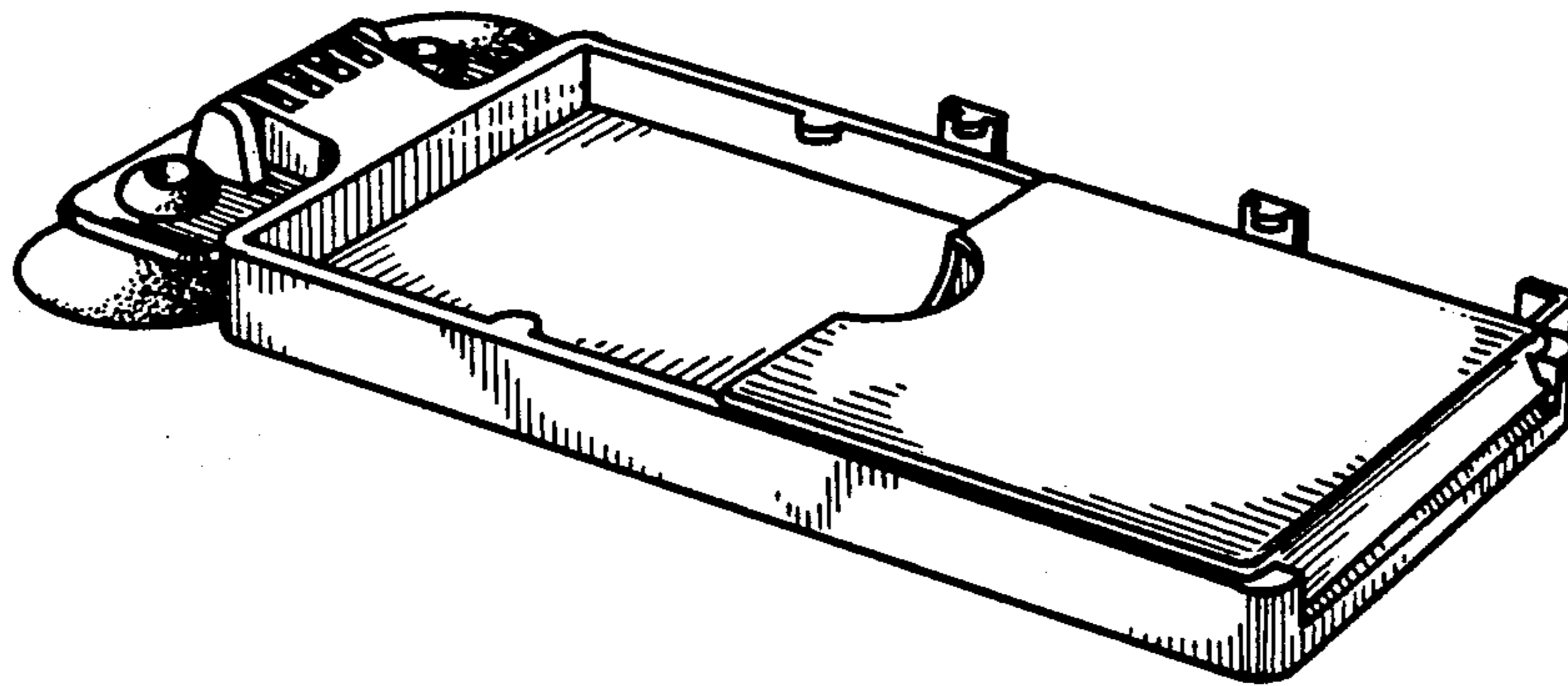


Fig 1

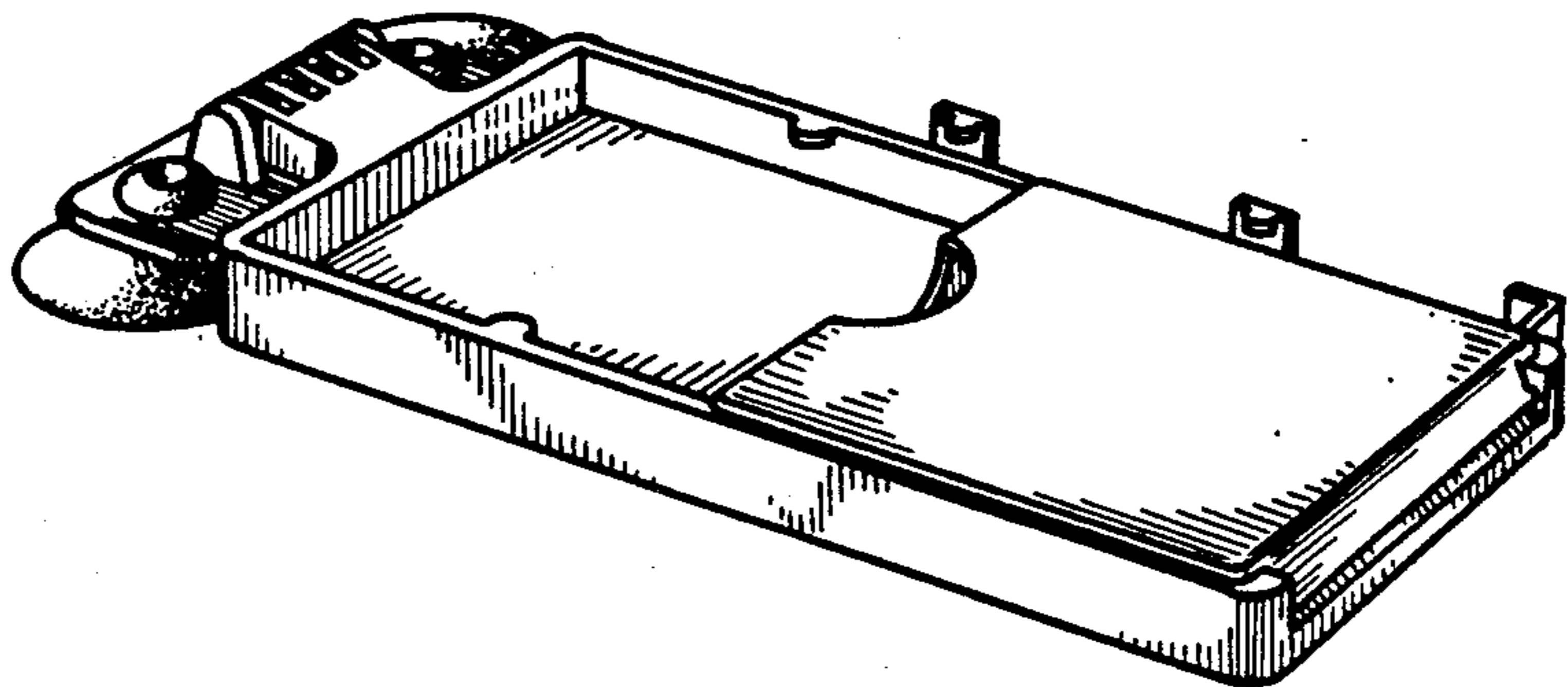


Fig 2

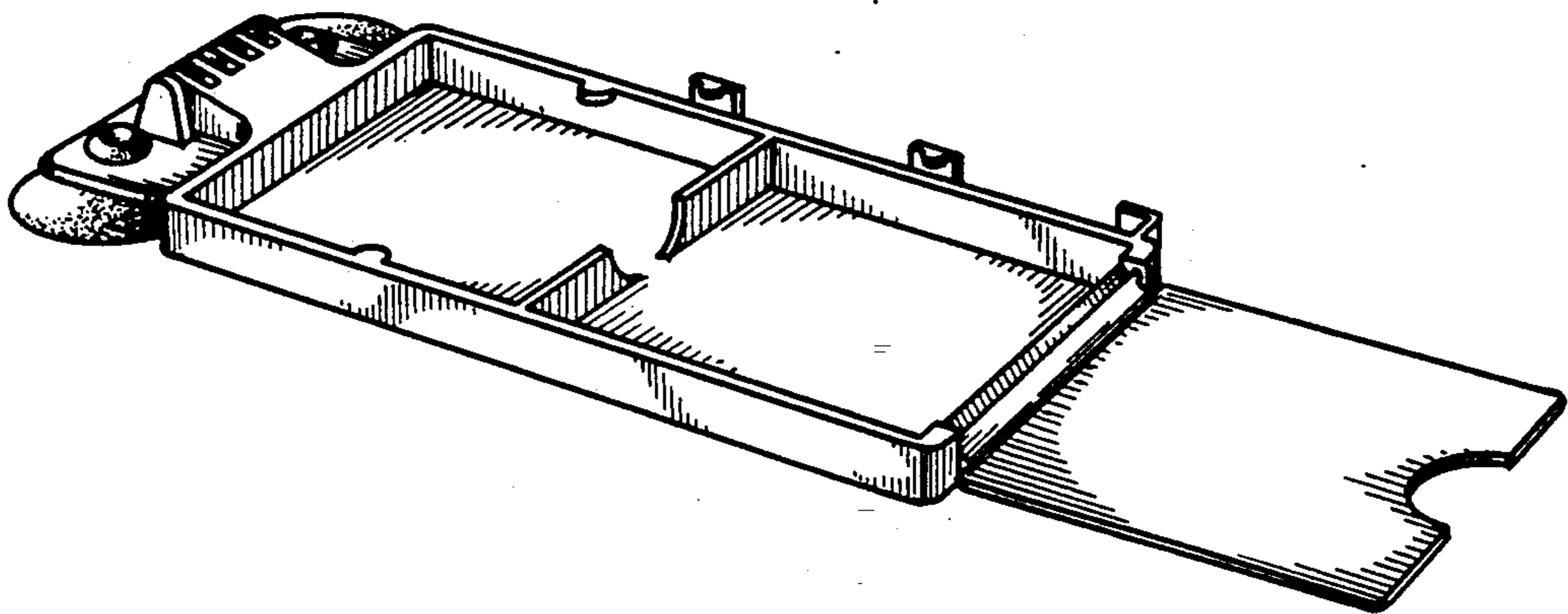


Fig 3

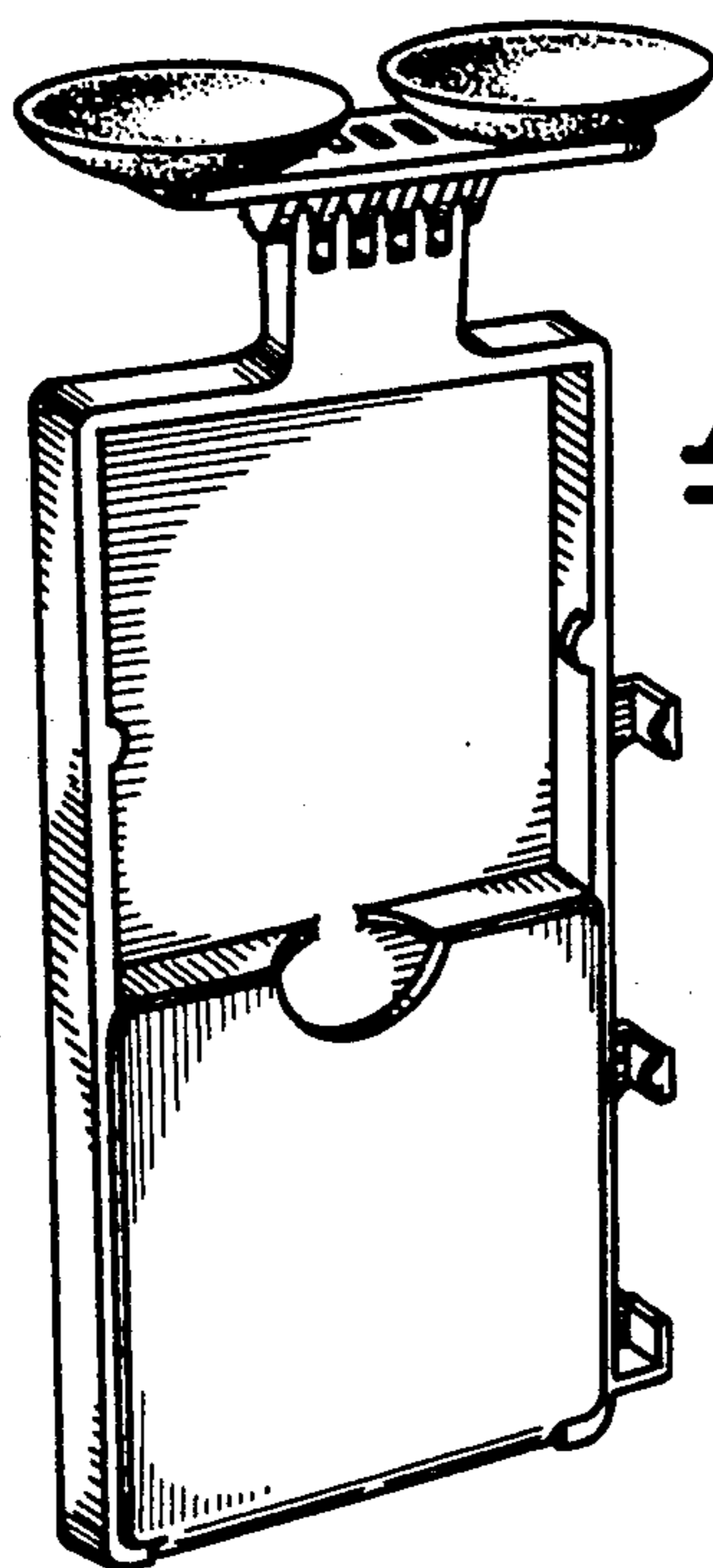


Fig 4

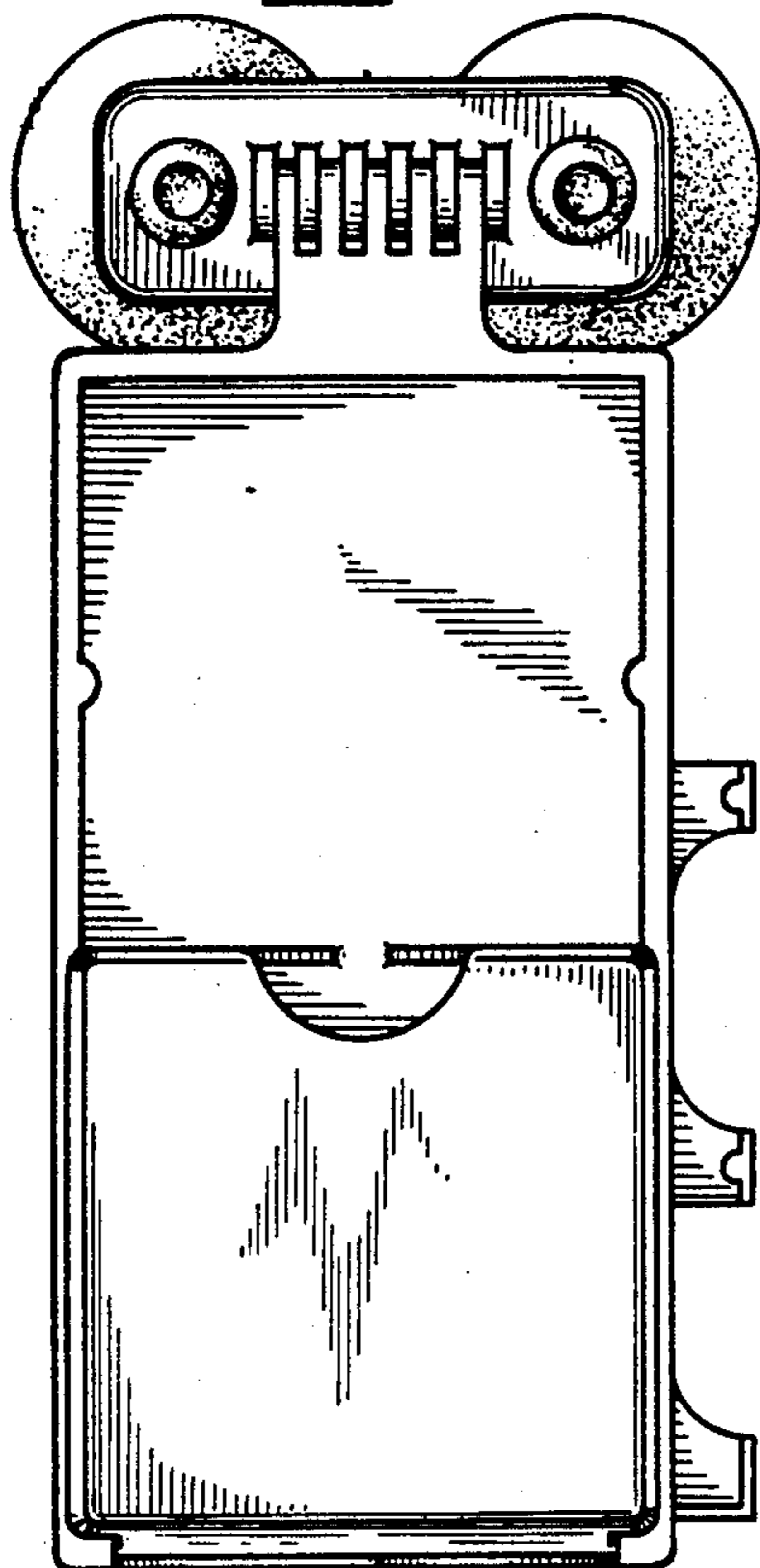


Fig 5

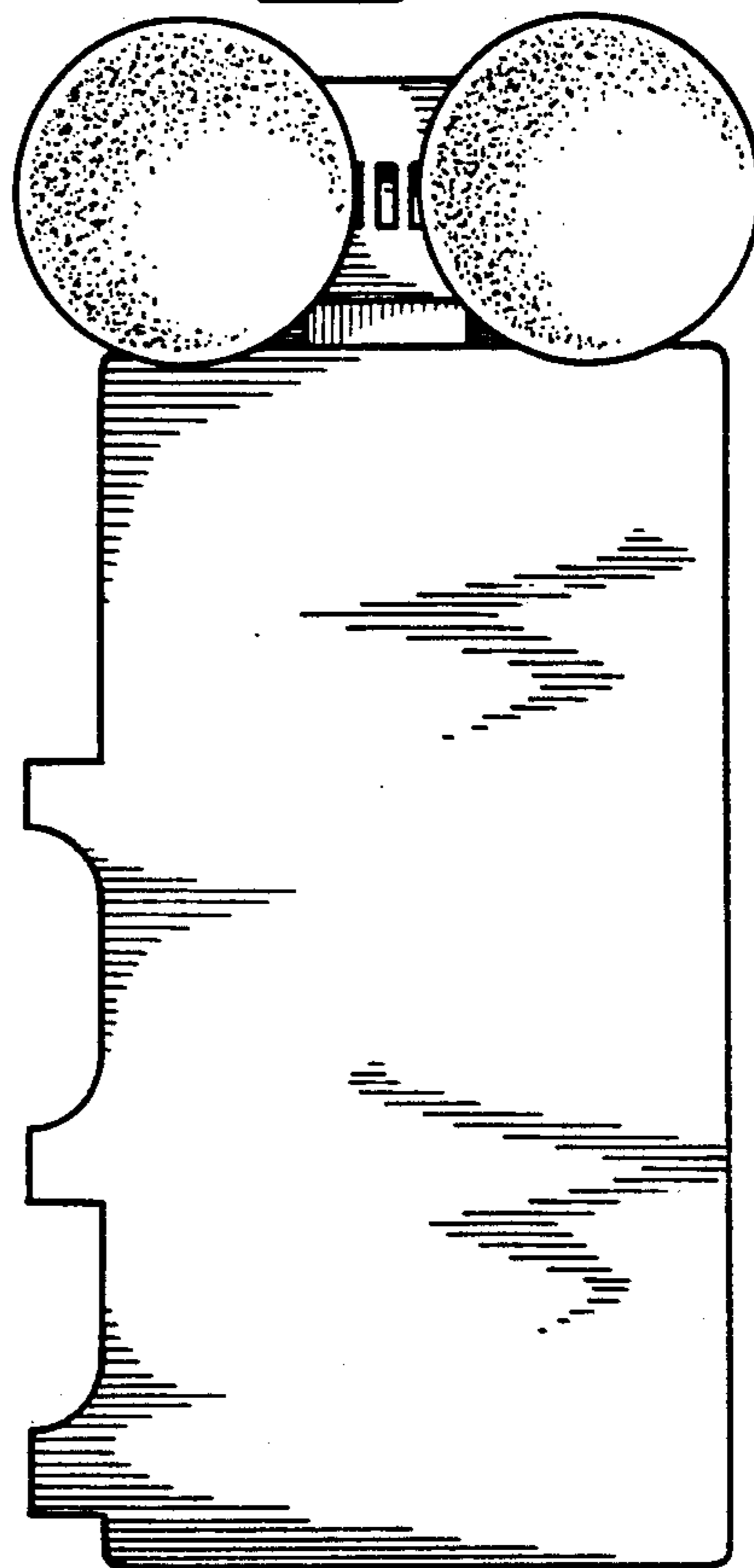


Fig 6

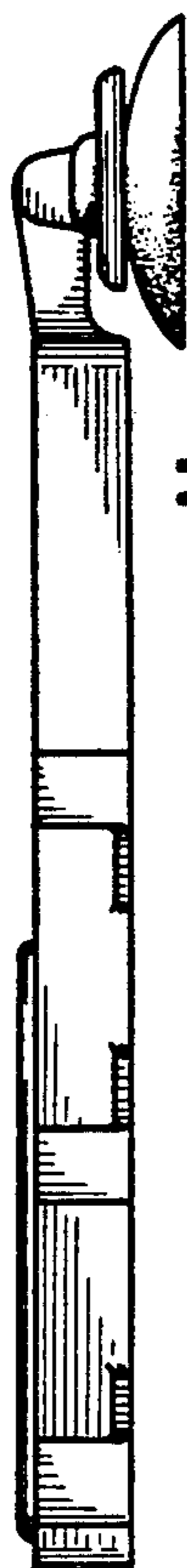


Fig 7

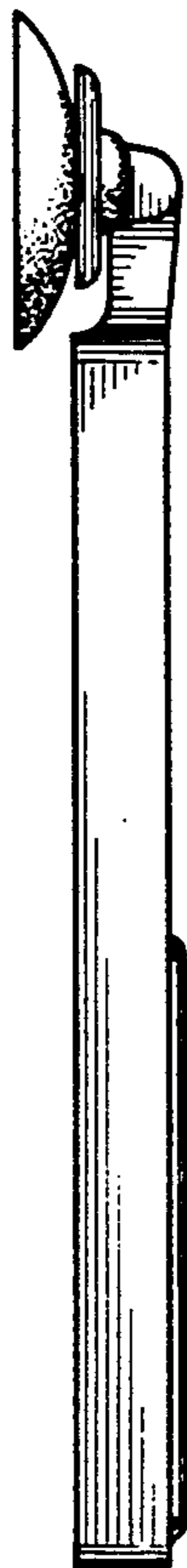


Fig 8



Fig 9

