



US00D333835S

United States Patent [19]

[11] Patent Number: **Des. 333,835**

Israely et al.

[45] Date of Patent: **** Mar. 9, 1993**

[54] **PRINTER**

[75] Inventors: **Ilan Israely, Westwood; Mauricio Mirand, Lakewood, both of Calif.**

[73] Assignee: **Star Micronics Co., Ltd., Shizuoka, Japan**

[**] Term: **14 Years**

[21] Appl. No.: **705,153**

[22] Filed: **May 24, 1991**

[52] U.S. Cl. **D18/55**

[58] Field of Search **D18/50-51, D18/53-55; 400/691-694, 613, 613.1-613.4, 120; D14/100, 102, 111**

[56] **References Cited**

U.S. PATENT DOCUMENTS

- D. 232,055 7/1974 Frick D18/54
- D. 240,080 5/1976 Brown D18/54
- 4,828,416 5/1989 Pensavecchia et al. D18/55

OTHER PUBLICATIONS

International Design; Jan./Feb. 1988; p. 15; NCR information processive, system advertisement.

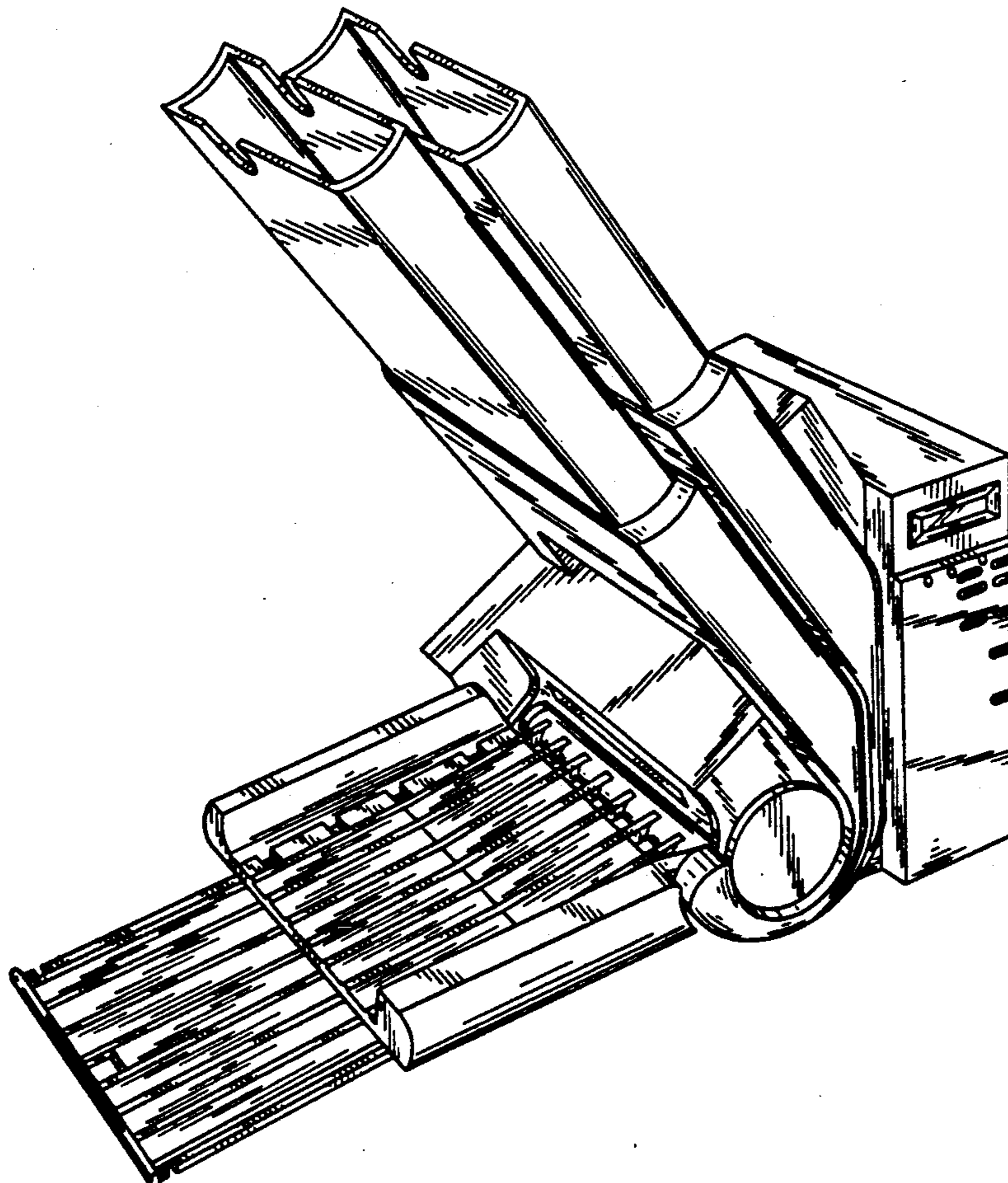
Primary Examiner—Louis S. Zarfes
Assistant Examiner—Cathy Anne MacCormac
Attorney, Agent, or Firm—Koda & Androlia

[57] **CLAIM**

The ornamental design for a printer, as shown and described.

DESCRIPTION

FIG. 1 is a perspective view taken from the top, front and right side of a printer showing our new design; FIG. 2 is a right side elevational view thereof; FIG. 3 is a left side elevational view thereof; FIG. 4 is a front elevational view thereof; FIG. 5 is a rear elevational view thereof; FIG. 6 is a top plan view thereof; FIG. 7 is a bottom plan view; FIG. 8 is a perspective view taken from the top, front and right side of the printer with the paper feed out tray opened; FIG. 9 is a right side elevational view thereof; FIG. 10 is a left side elevational view thereof; FIG. 11 is a front elevational view thereof; FIG. 12 is a rear elevational view thereof; FIG. 13 is a top plan view thereof; and, FIG. 14 is a bottom plan view thereof.



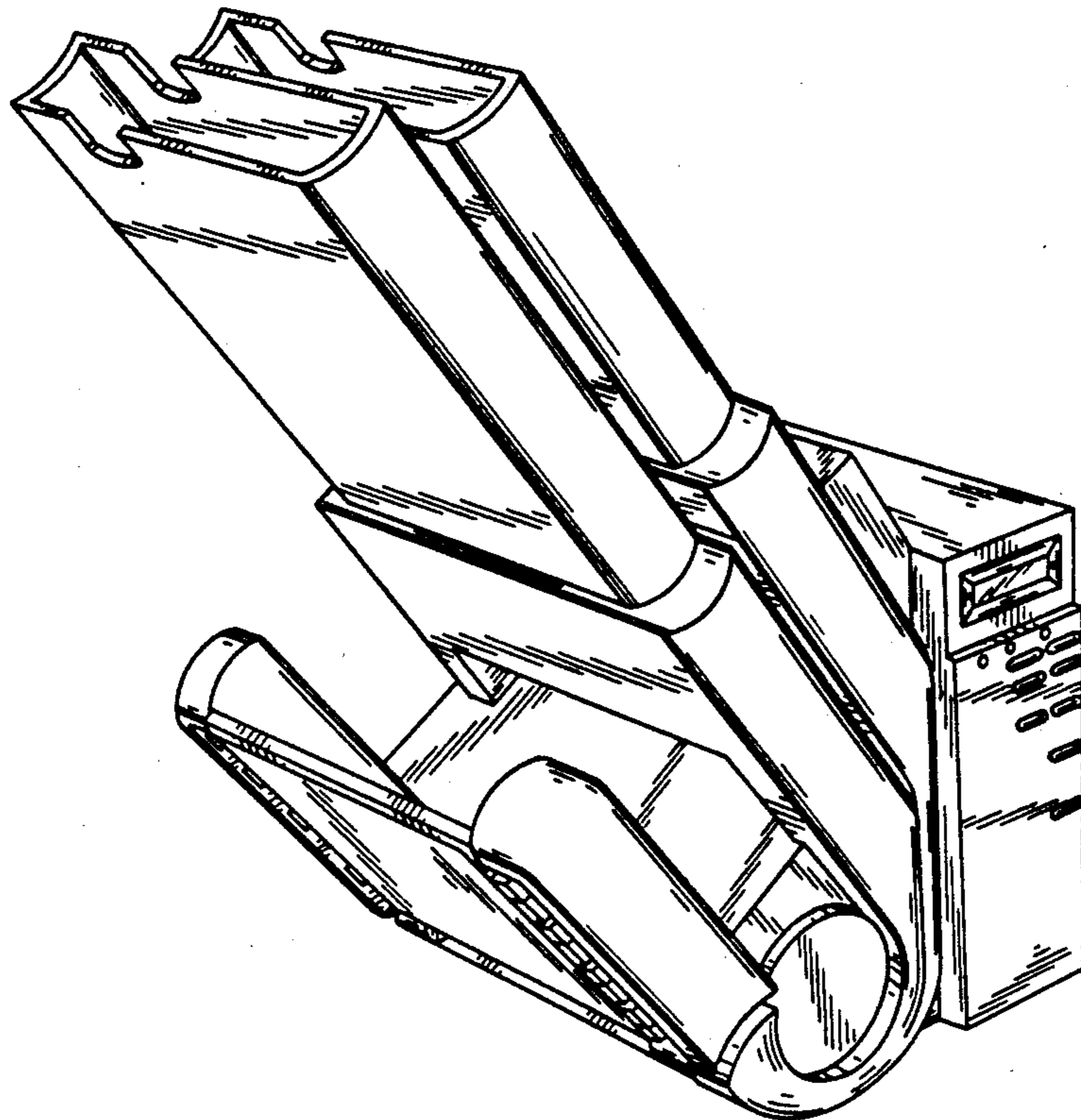


FIG. 1

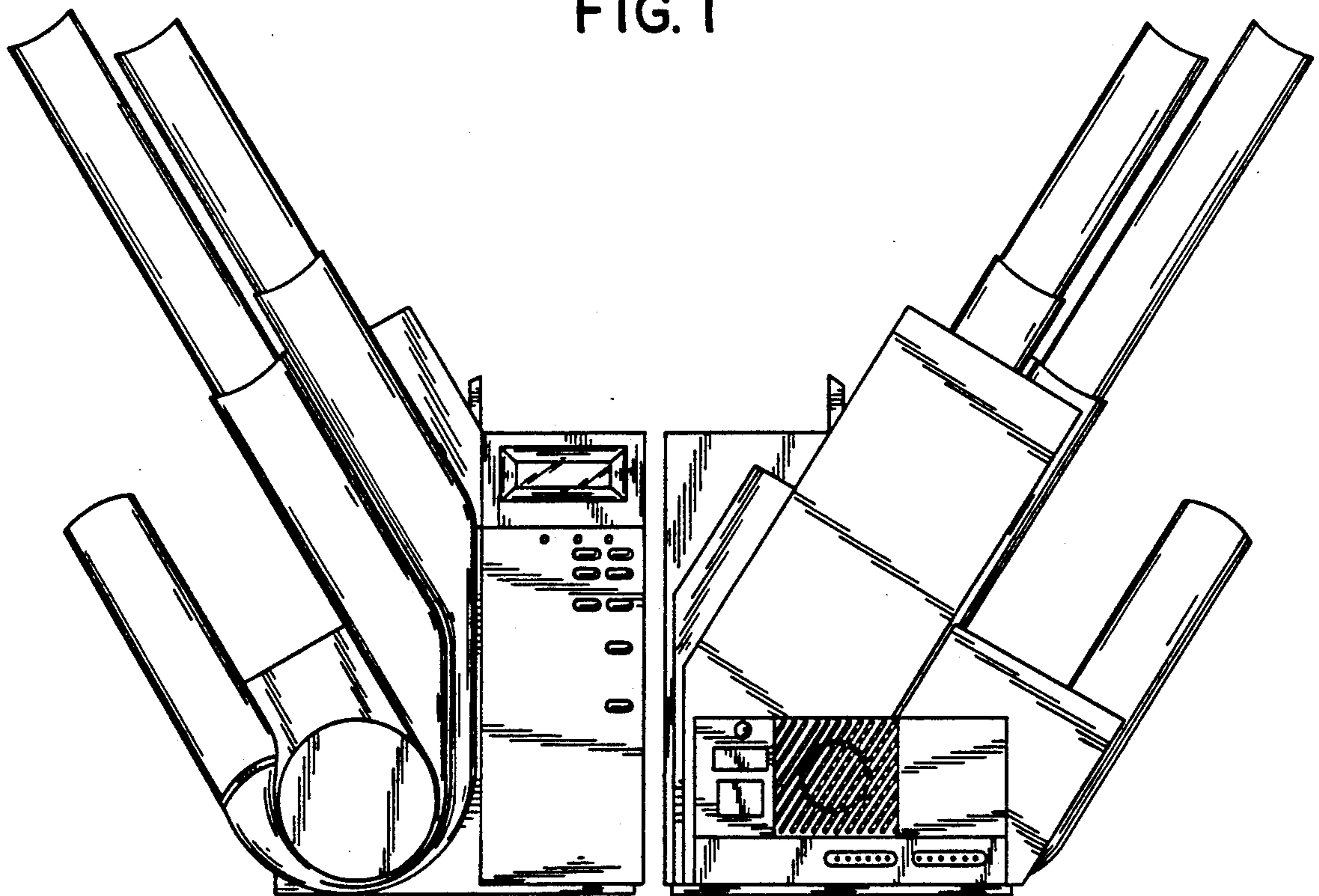


FIG. 2

FIG. 3

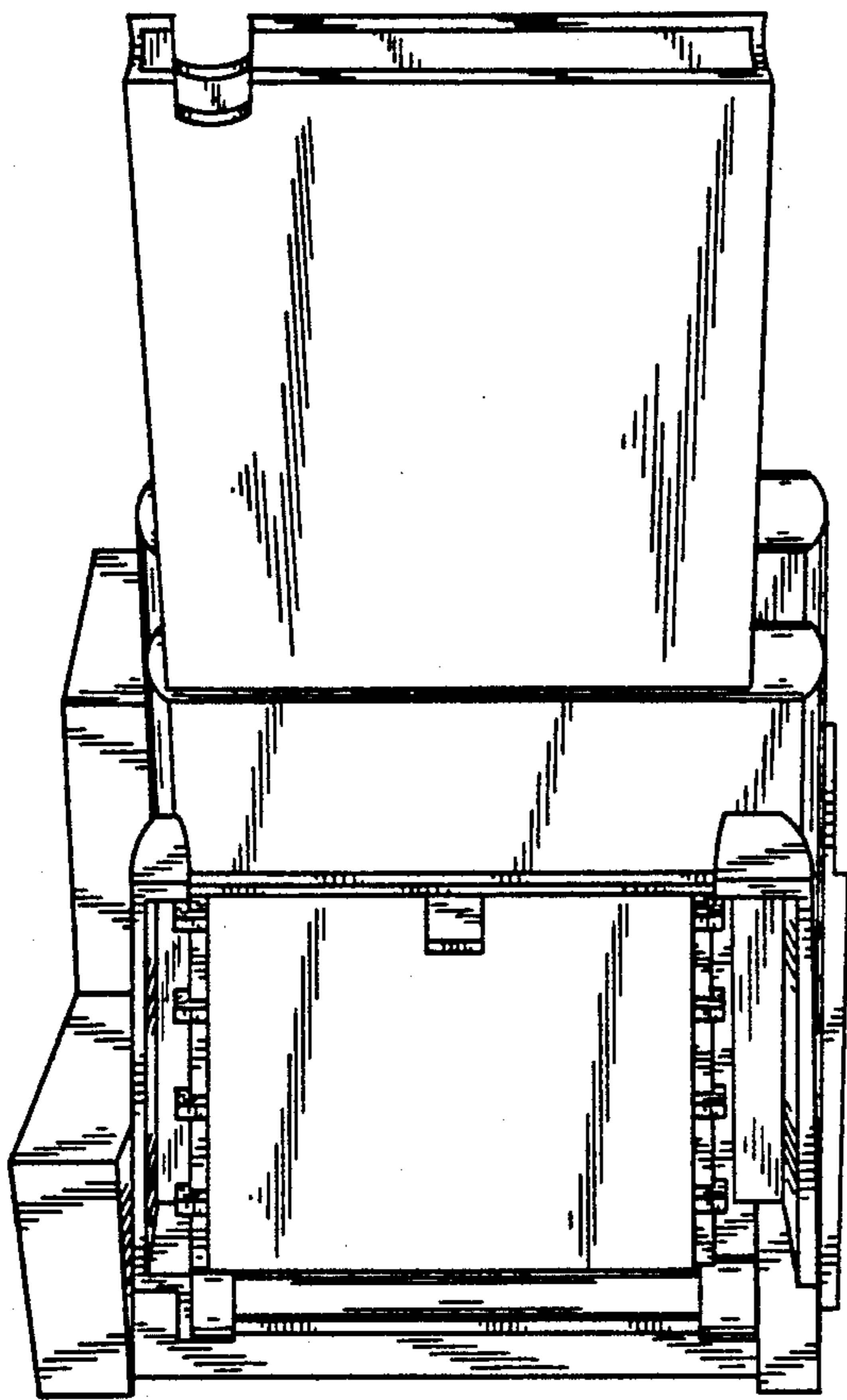


FIG. 4

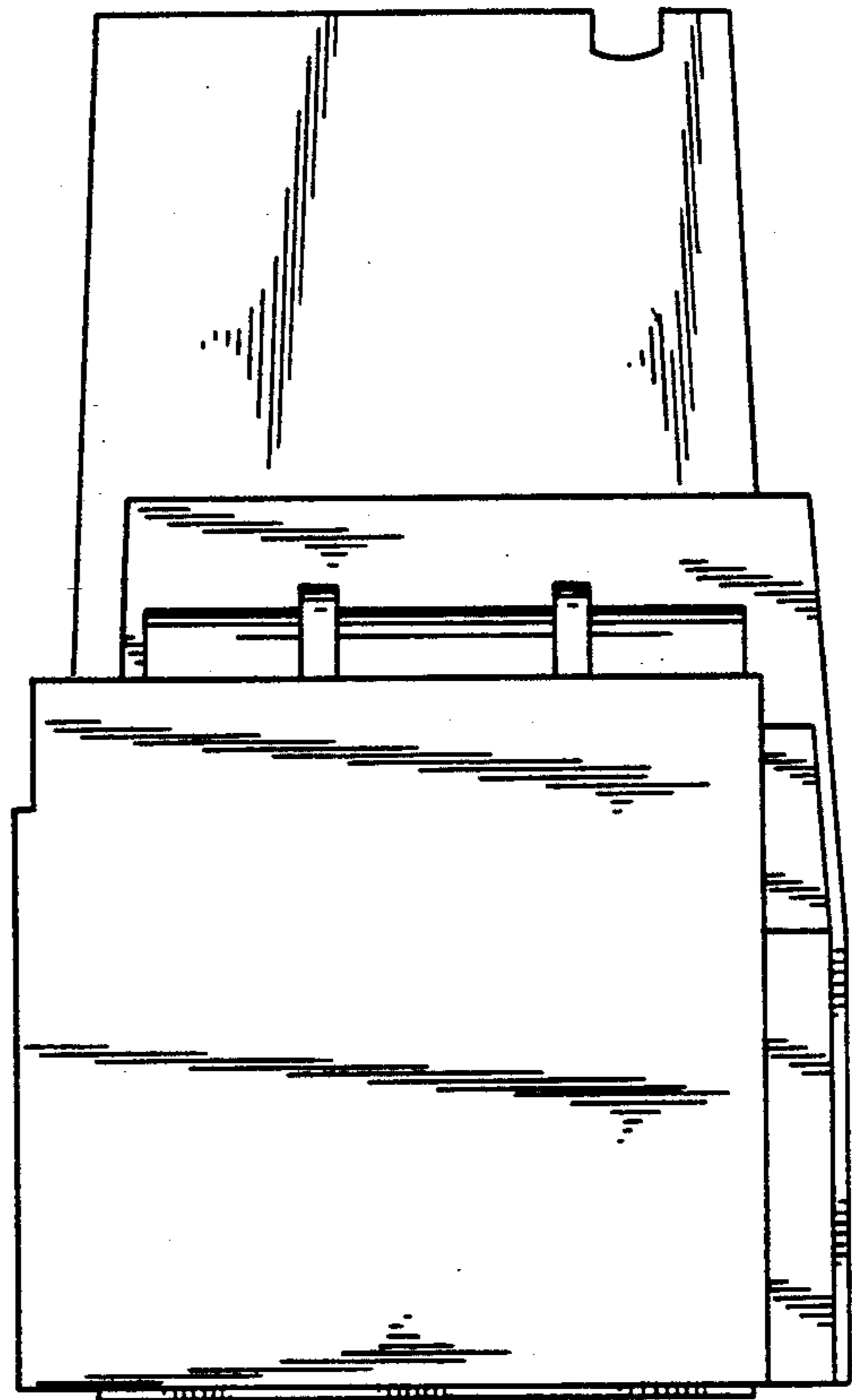


FIG. 5

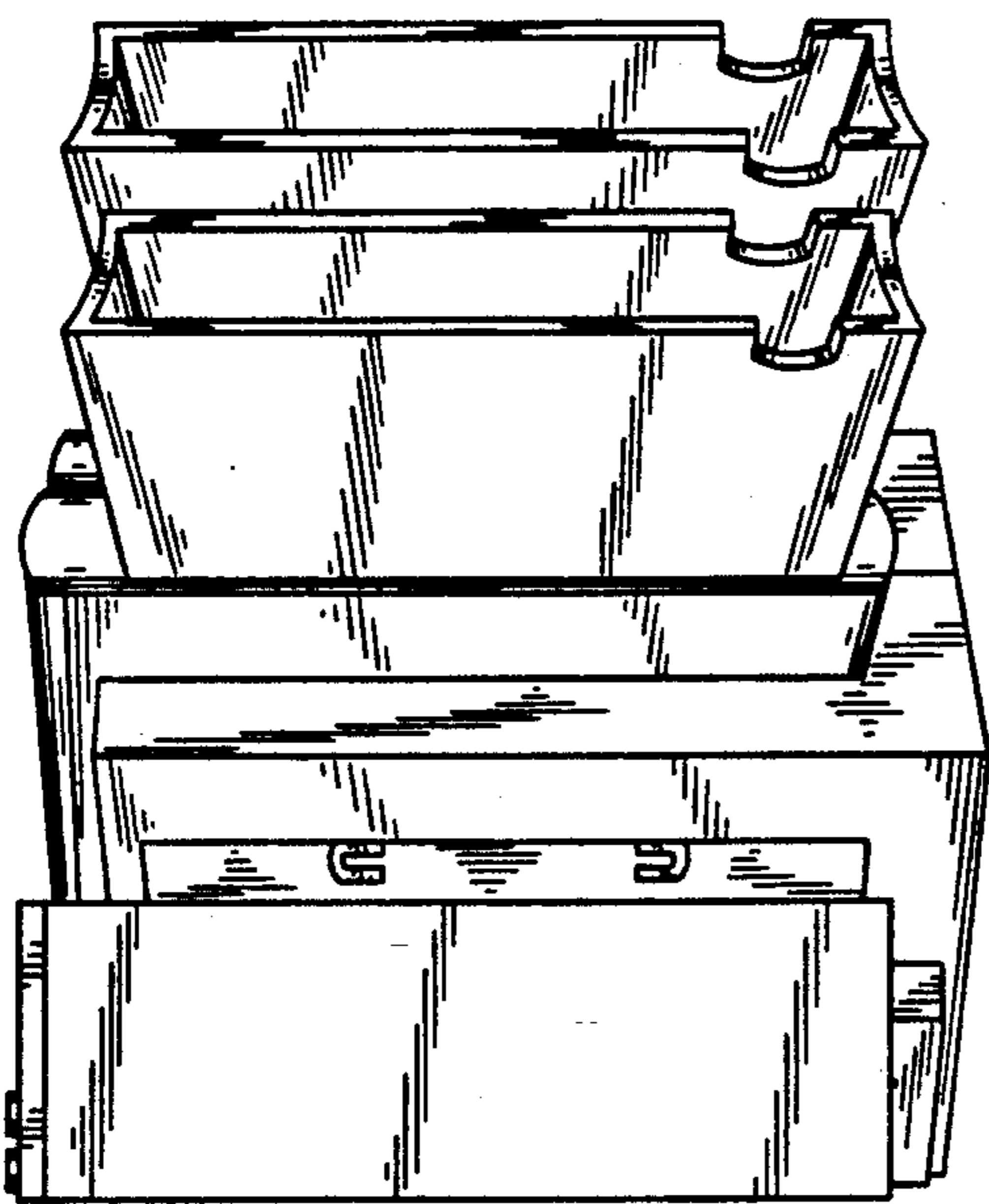


FIG. 6

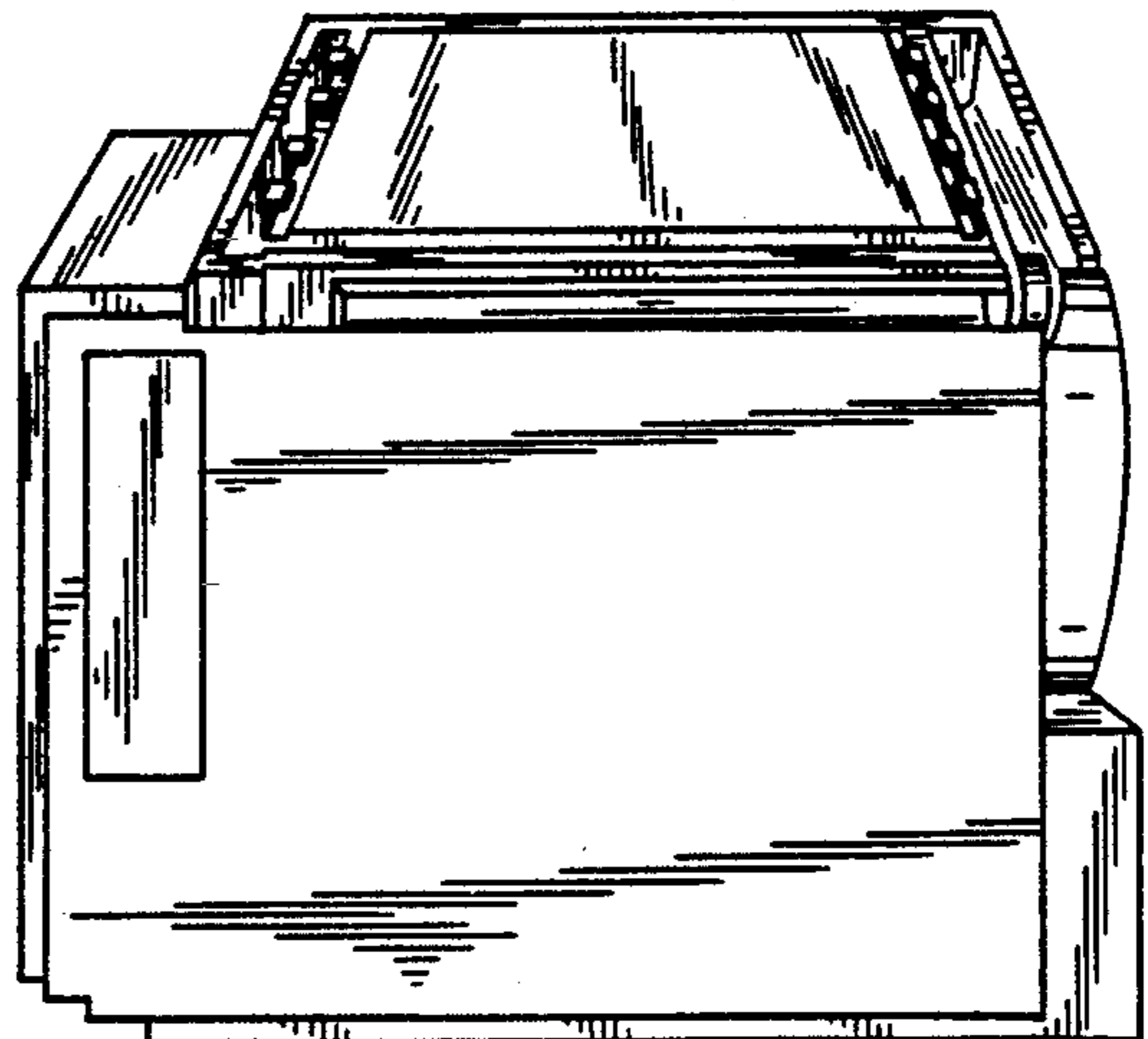
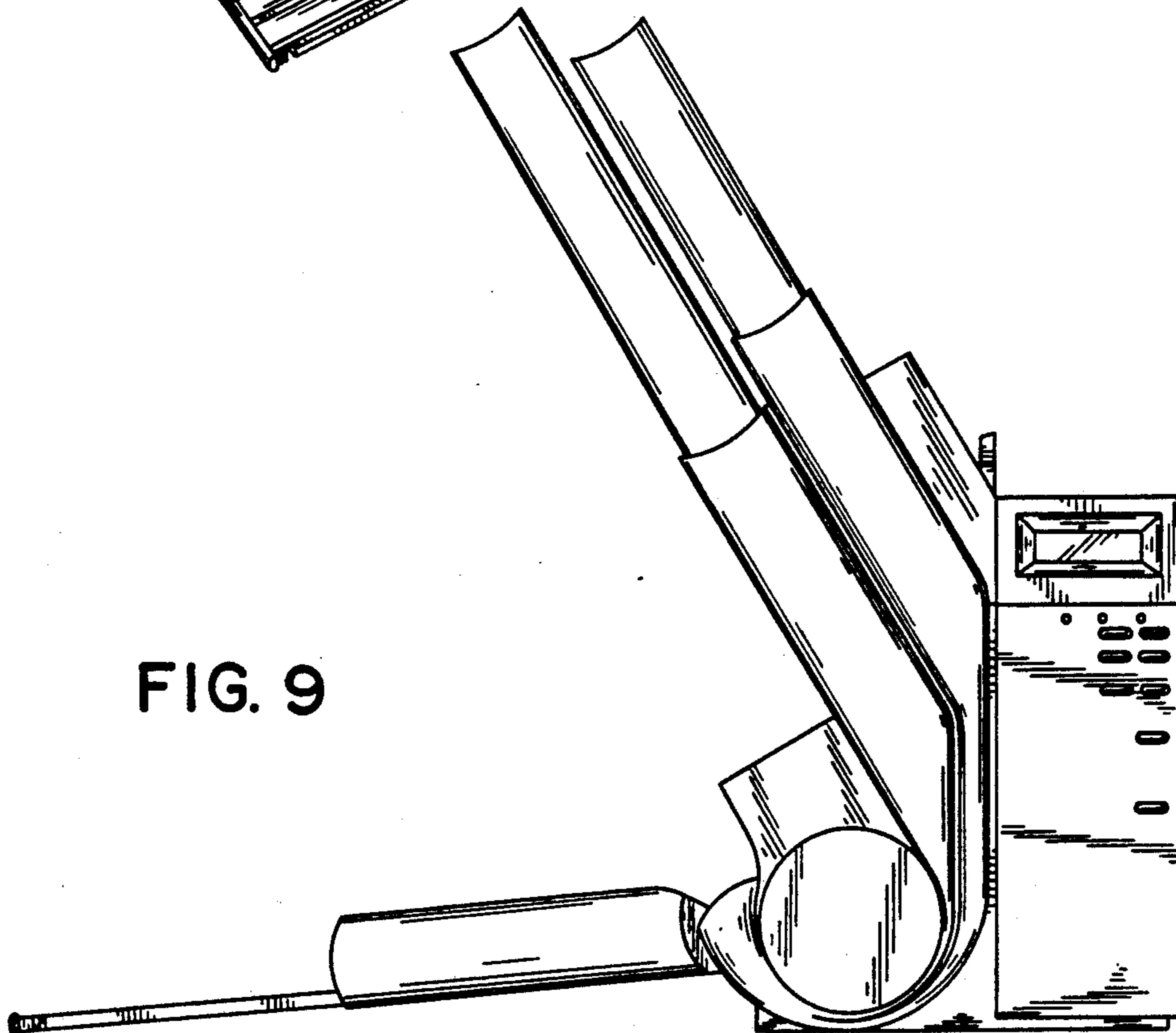
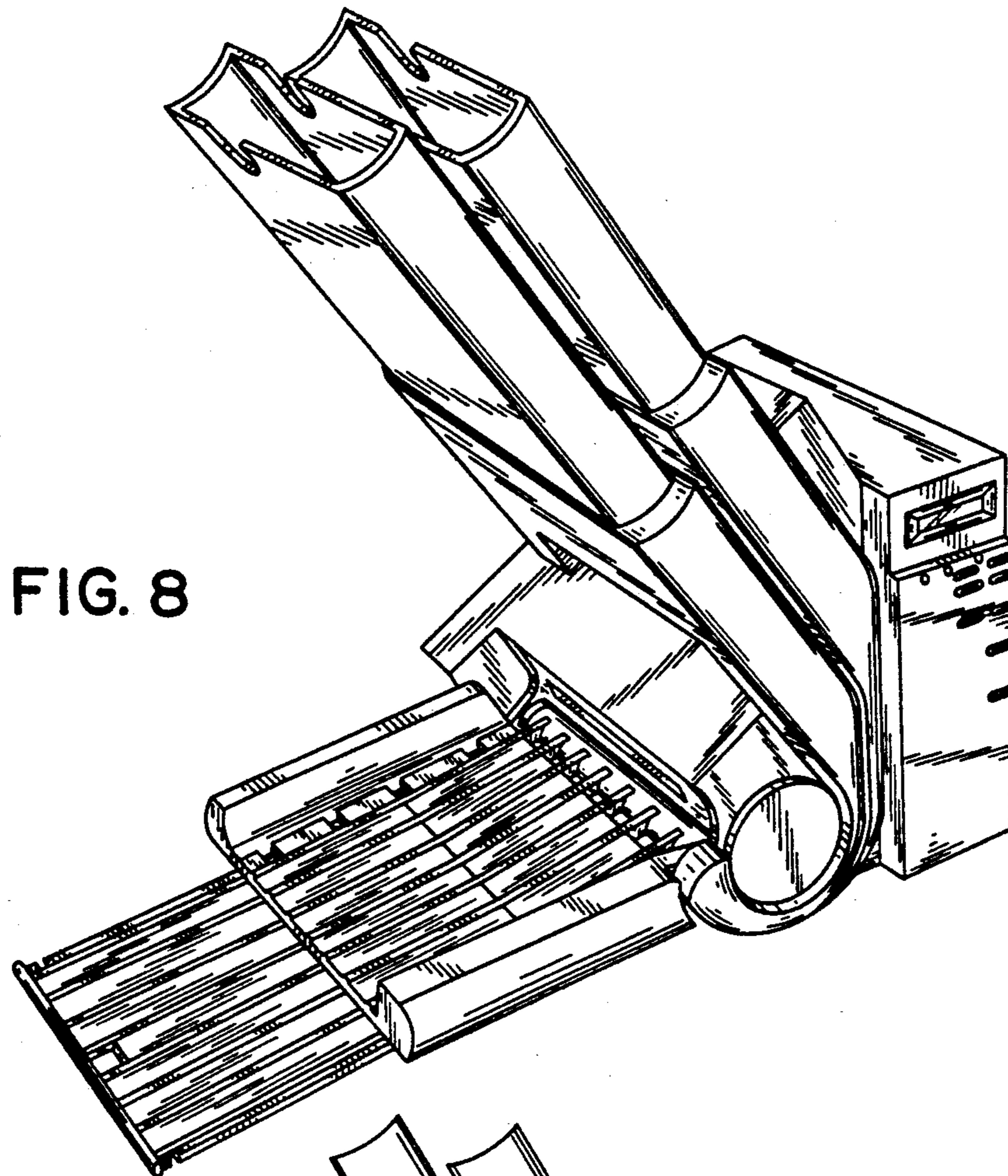


FIG. 7



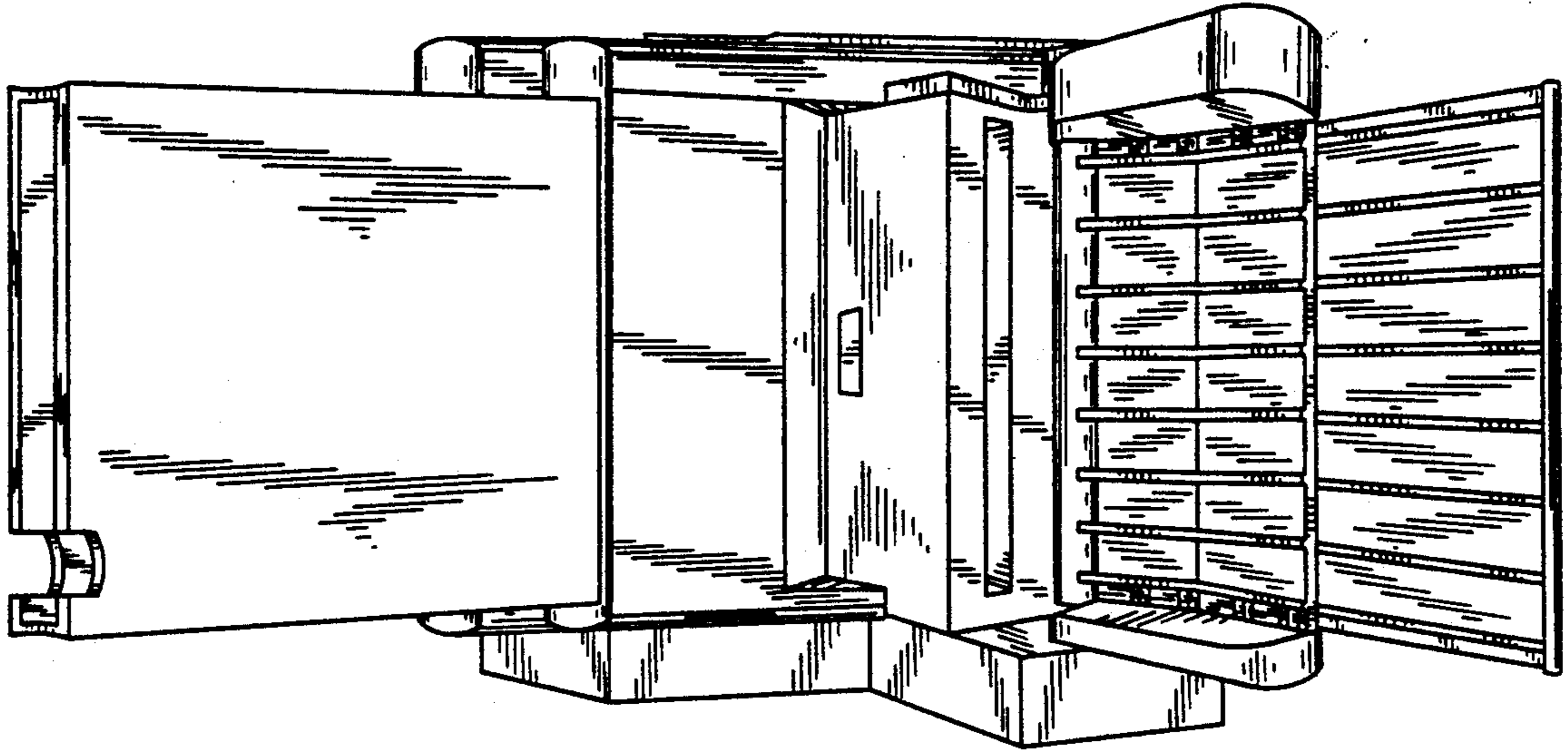


FIG. 11

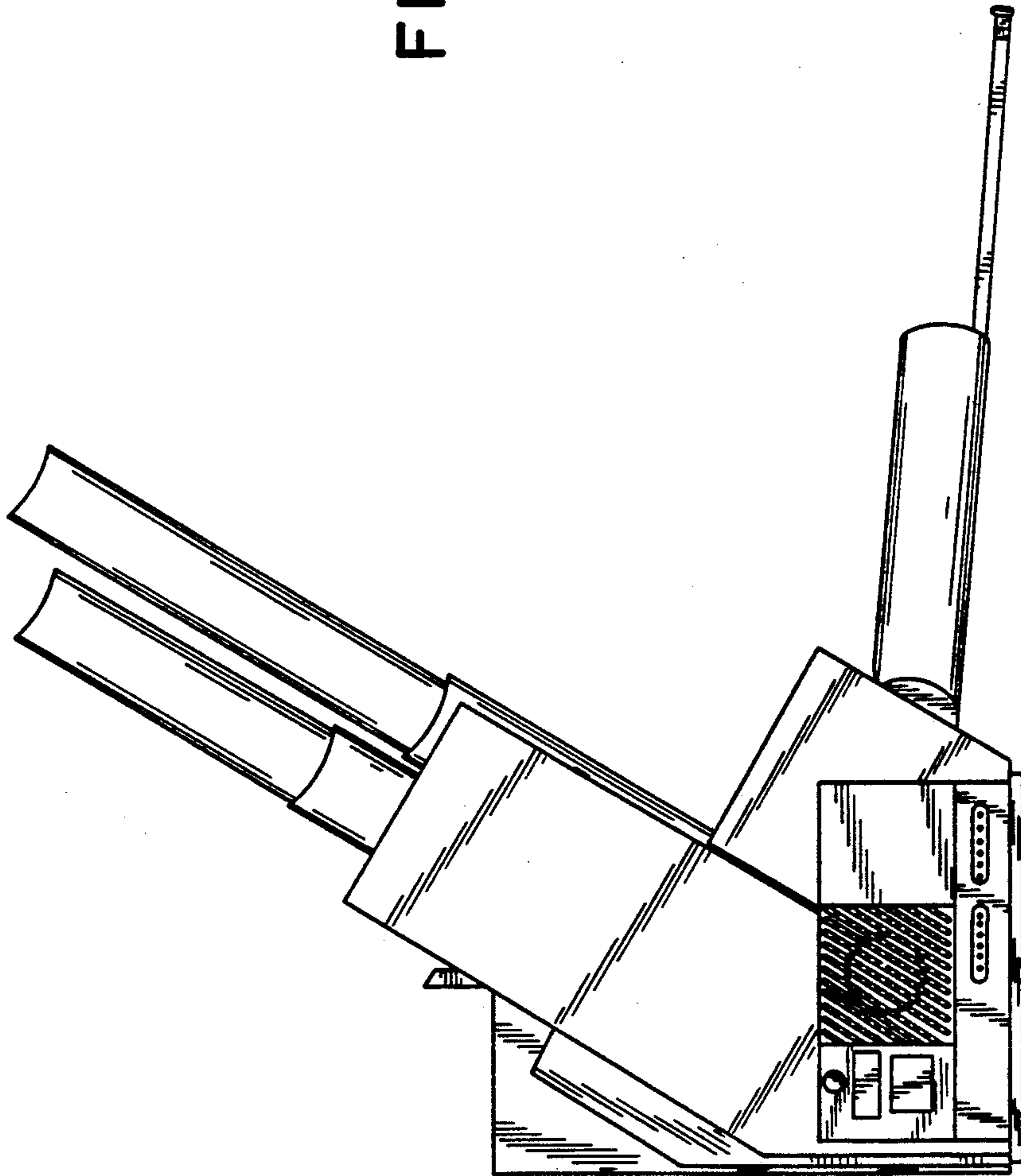


FIG. 10

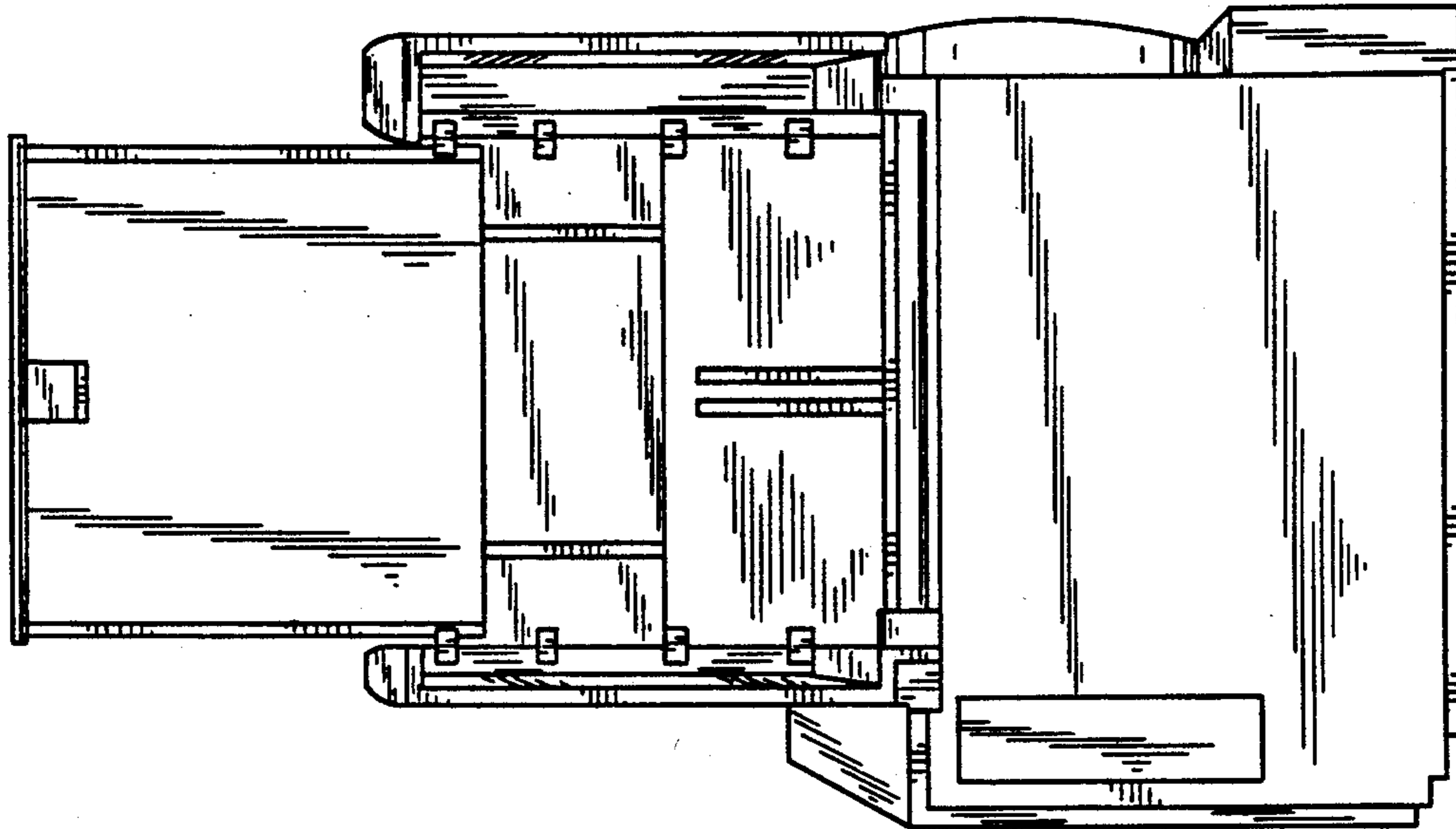


FIG. 14

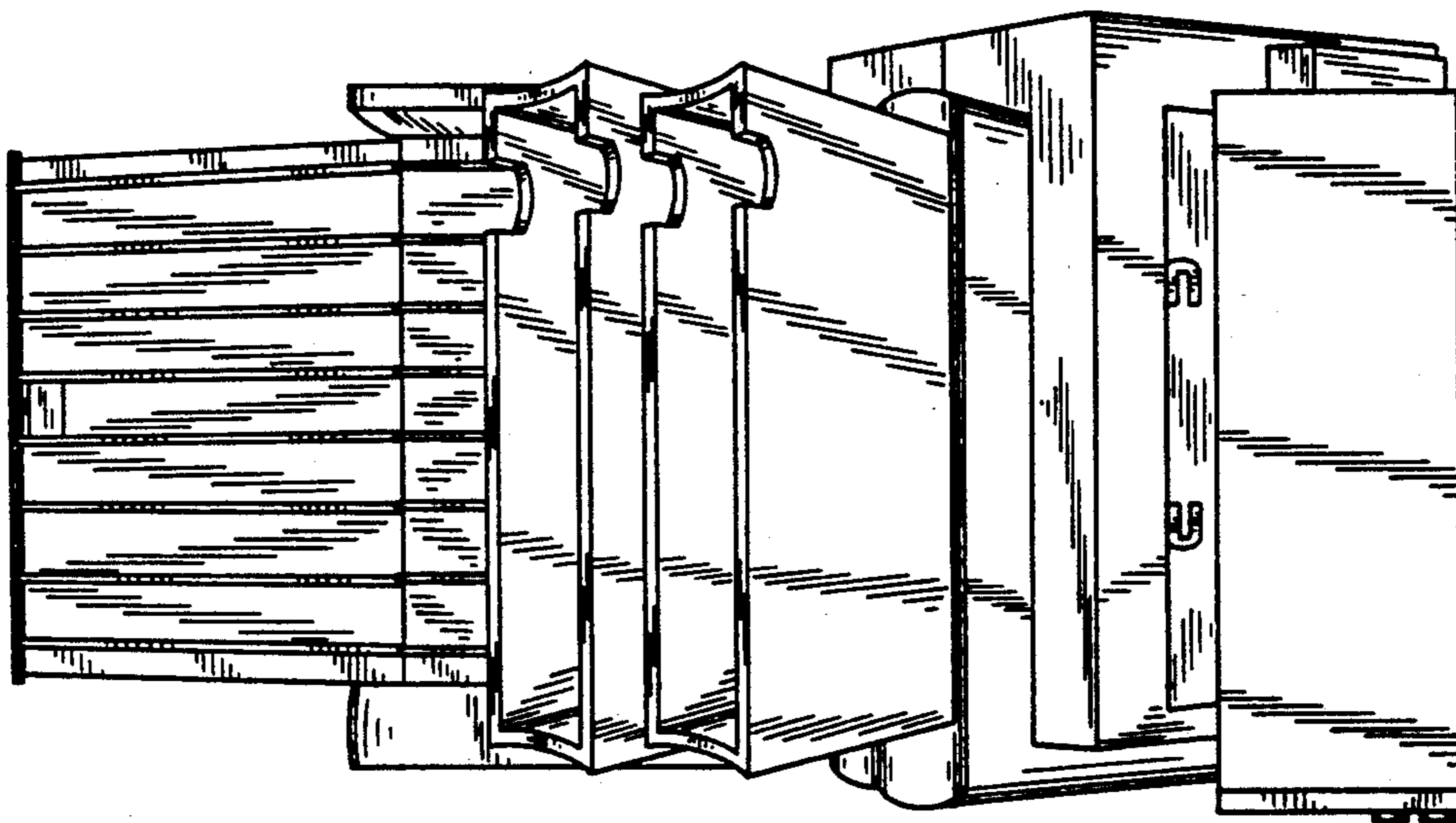


FIG. 13

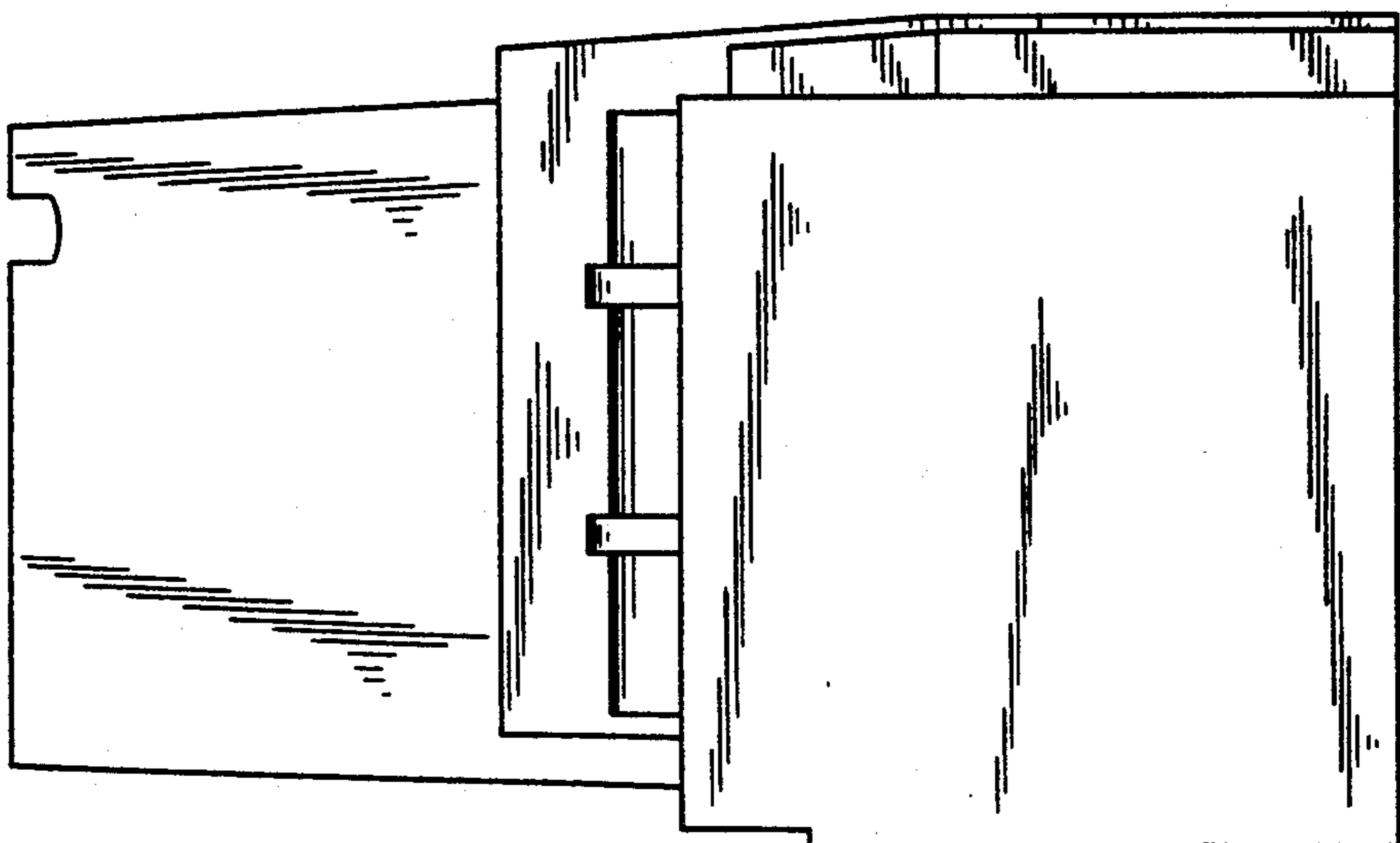


FIG. 12