



US00D333834S

United States Patent [19]

Isomoto et al.

[11] Patent Number: **Des. 333,834**

[45] Date of Patent: **** Mar. 9, 1993**

[54] **SORTER FOR COPYING MACHINE**

[75] Inventors: **Masataka Isomoto, Kawasaki;**
Mitsuru Sakurai, Musashino, both of
Japan

[73] Assignee: **Canan Kabushiki Kaisha, Tokyo,**
Japan

[**] Term: **14 Years**

[21] Appl. No.: **770,961**

[22] Filed: **Oct. 4, 1991**

[30] **Foreign Application Priority Data**

Apr. 19, 1991 [JP] Japan 3-11503

[52] U.S. Cl. **D18/48**

[58] Field of Search **D18/36-39,**
D18/46-49, 40, 53, 56; 271/278, 287, 293;
355/322, 323

[56] **References Cited**

U.S. PATENT DOCUMENTS

- D. 281,699 12/1985 Fukuda D18/48
- D. 284,086 6/1986 Goto D18/48
- D. 286,539 11/1986 Hashimoto D18/48
- D. 295,184 4/1988 Aoyama D16/43

- D. 295,758 5/1988 Kosako D18/48
- D. 299,832 2/1989 Hara D18/48
- D. 309,631 7/1990 Tanizawa et al. D18/48
- D. 309,632 7/1990 Komada et al. D18/48
- D. 309,912 8/1990 Hirata D18/48
- D. 320,809 10/1991 Hiroki D18/48
- D. 329,454 9/1992 Sugihara et al. D18/48
- 4,878,660 11/1989 Irie 271/293

Primary Examiner—Alan P. Douglas

Assistant Examiner—Ann Hunt

Attorney, Agent, or Firm—Fitzpatrick, Cella, Harper & Scinto

[57] **CLAIM**

The ornamental design for a sorter for copying machine, as shown and described.

DESCRIPTION

FIG. 1 is a front elevational view of a sorter for copying machine showing our new design; FIG. 2 is a rear elevational view thereof; FIG. 3 is a top plan view thereof; FIG. 4 is a bottom plan view thereof; FIG. 5 is a left side elevational view thereof; FIG. 6 is a right side elevational view thereof; and, FIG. 7 is a perspective view thereof.

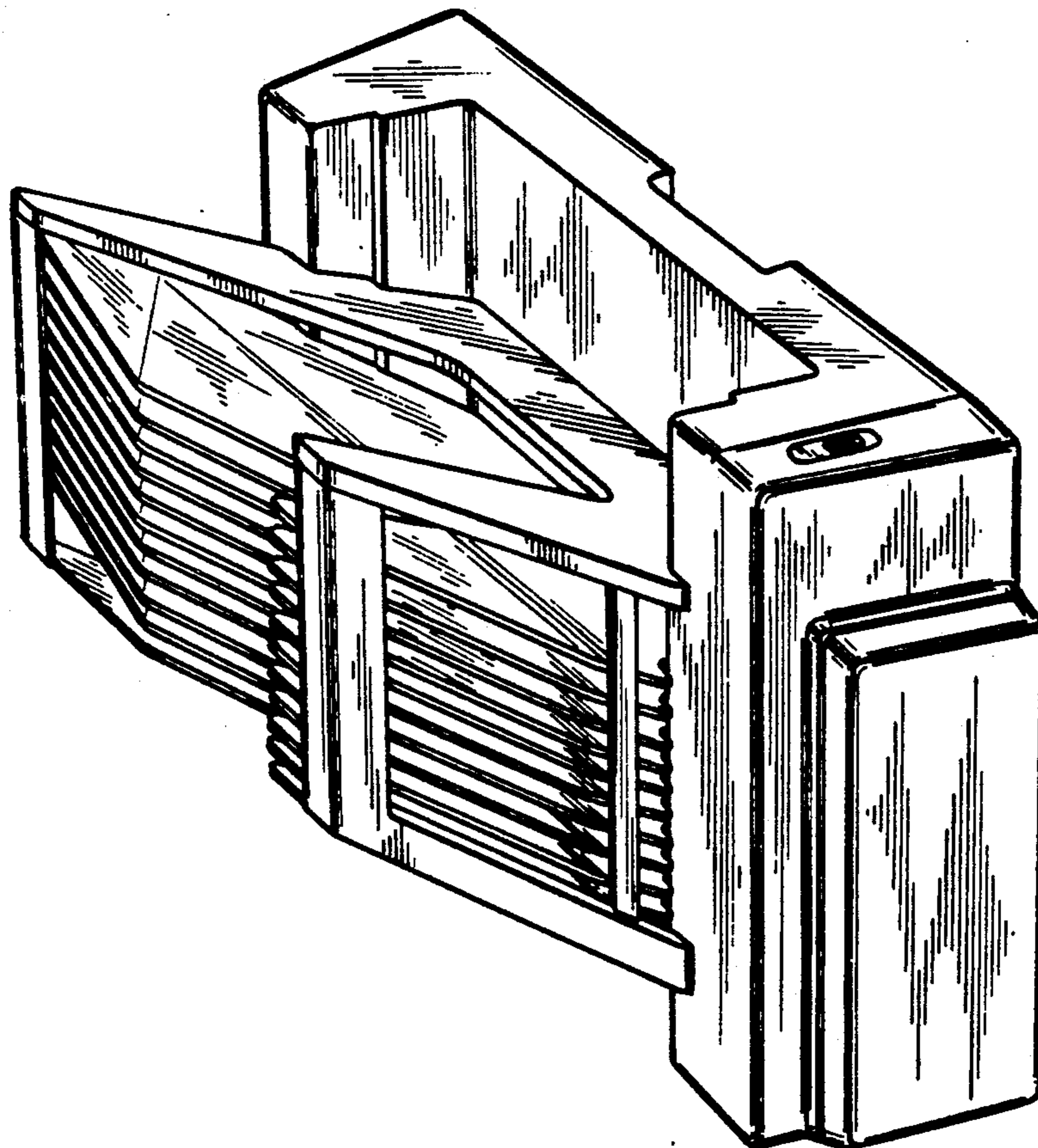


FIG. 1

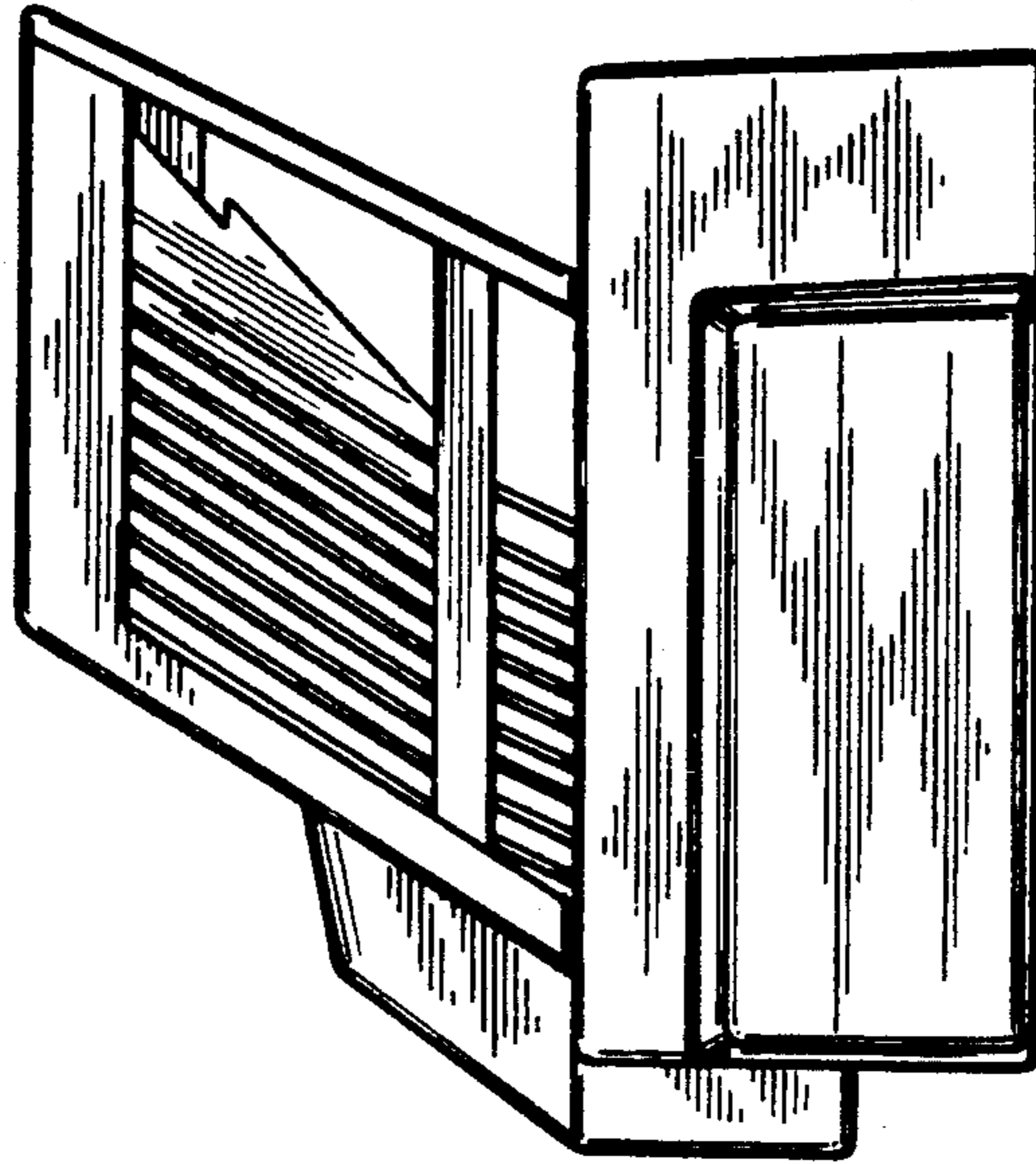


FIG. 2

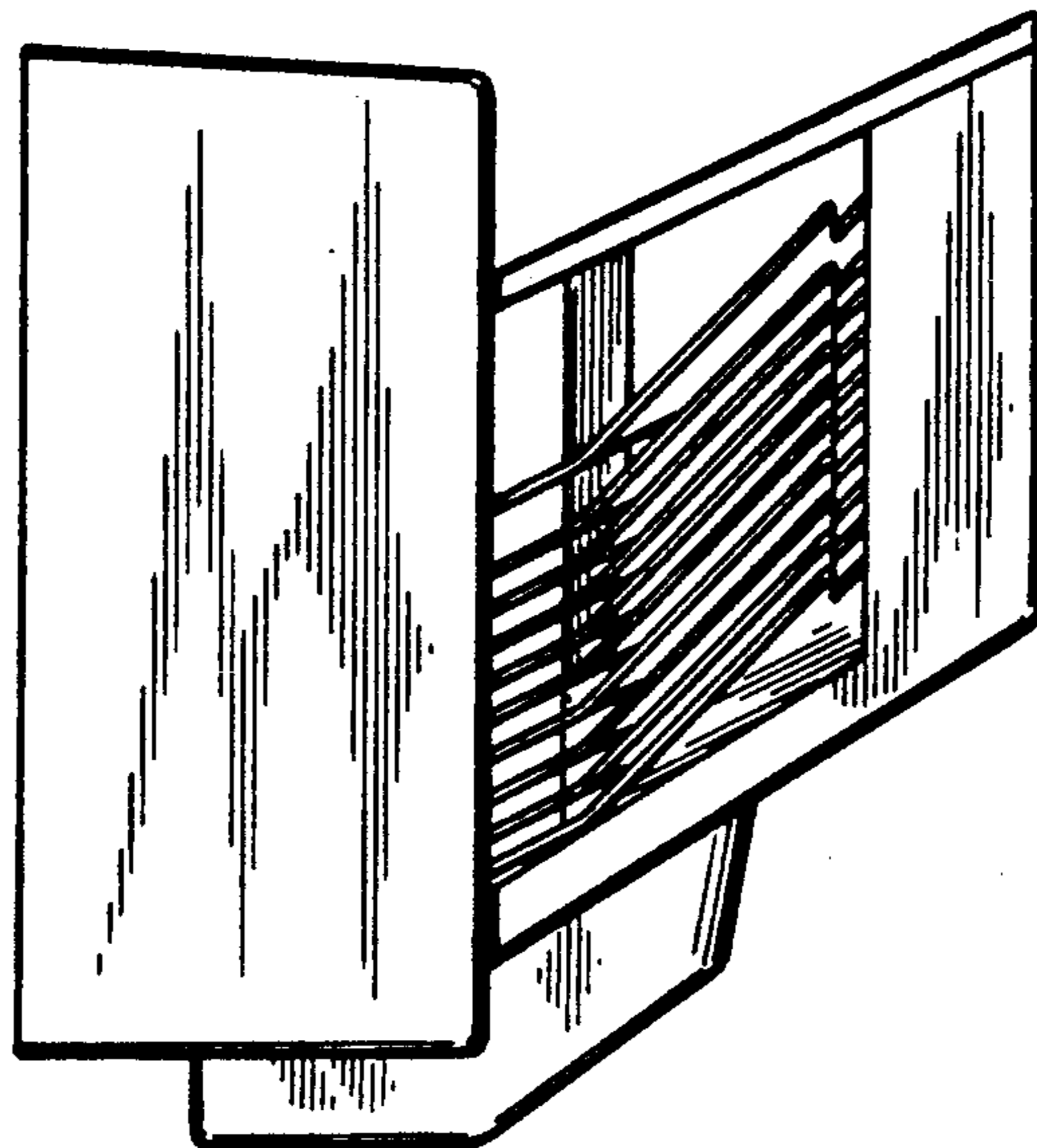


FIG. 3

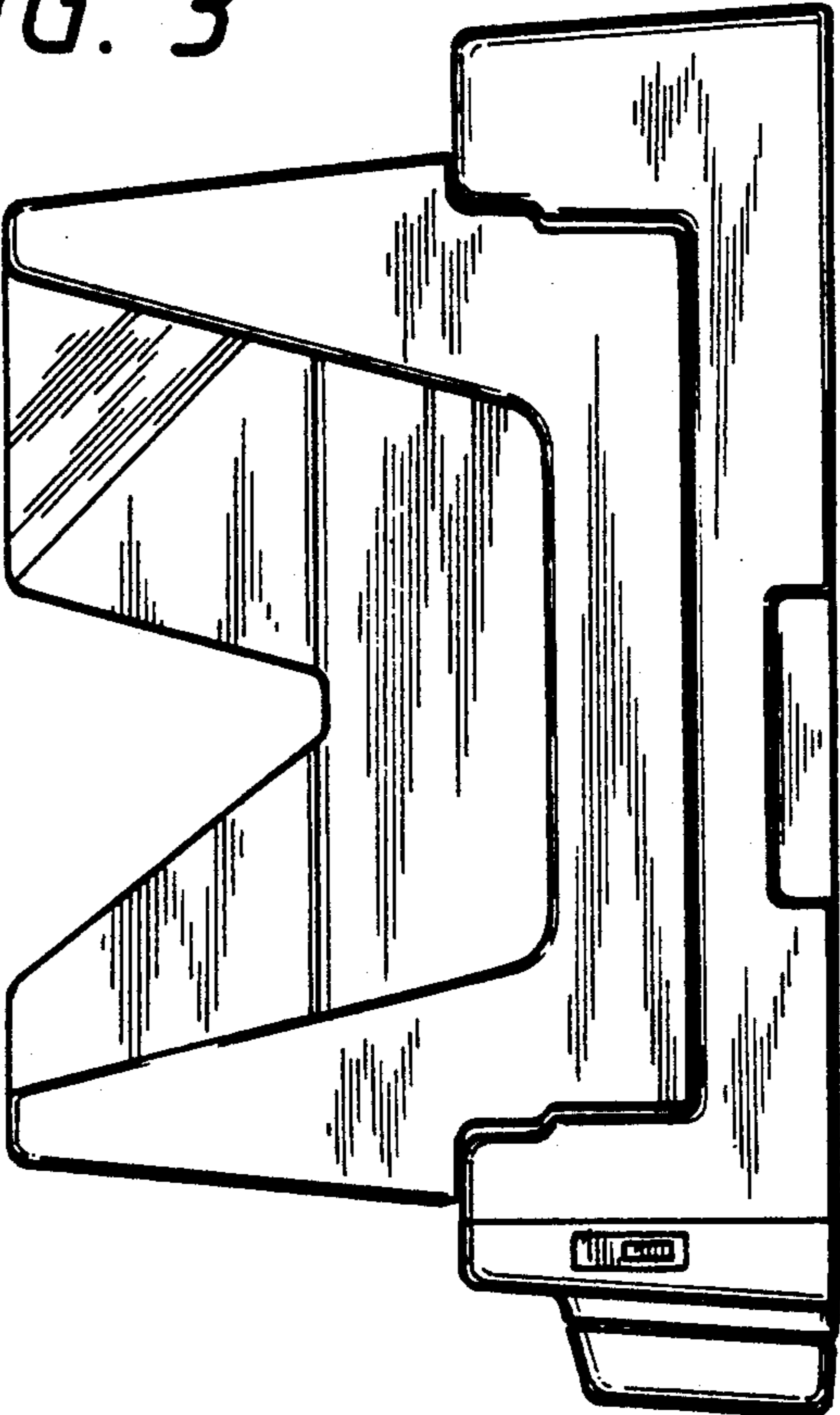


FIG. 4

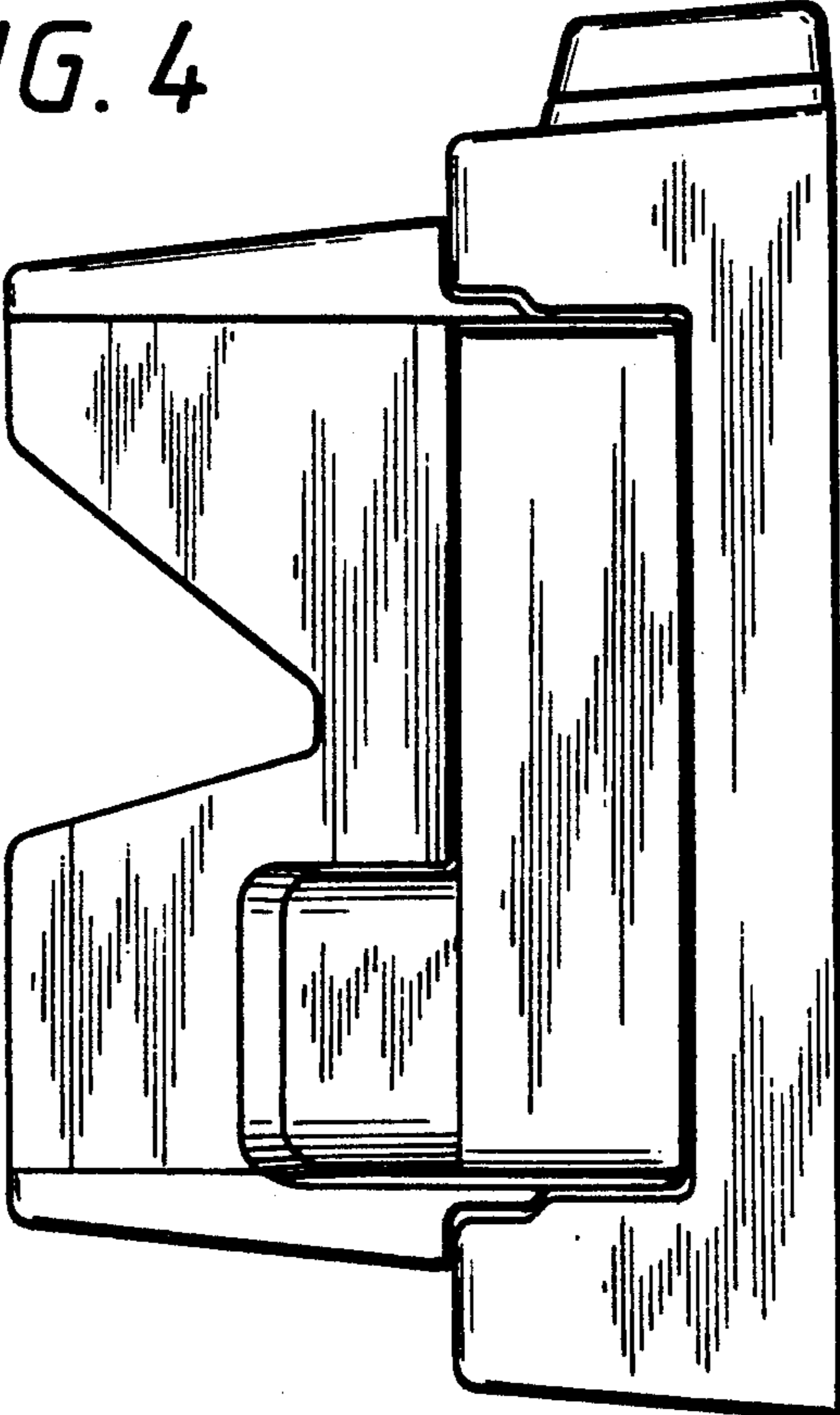


FIG. 5

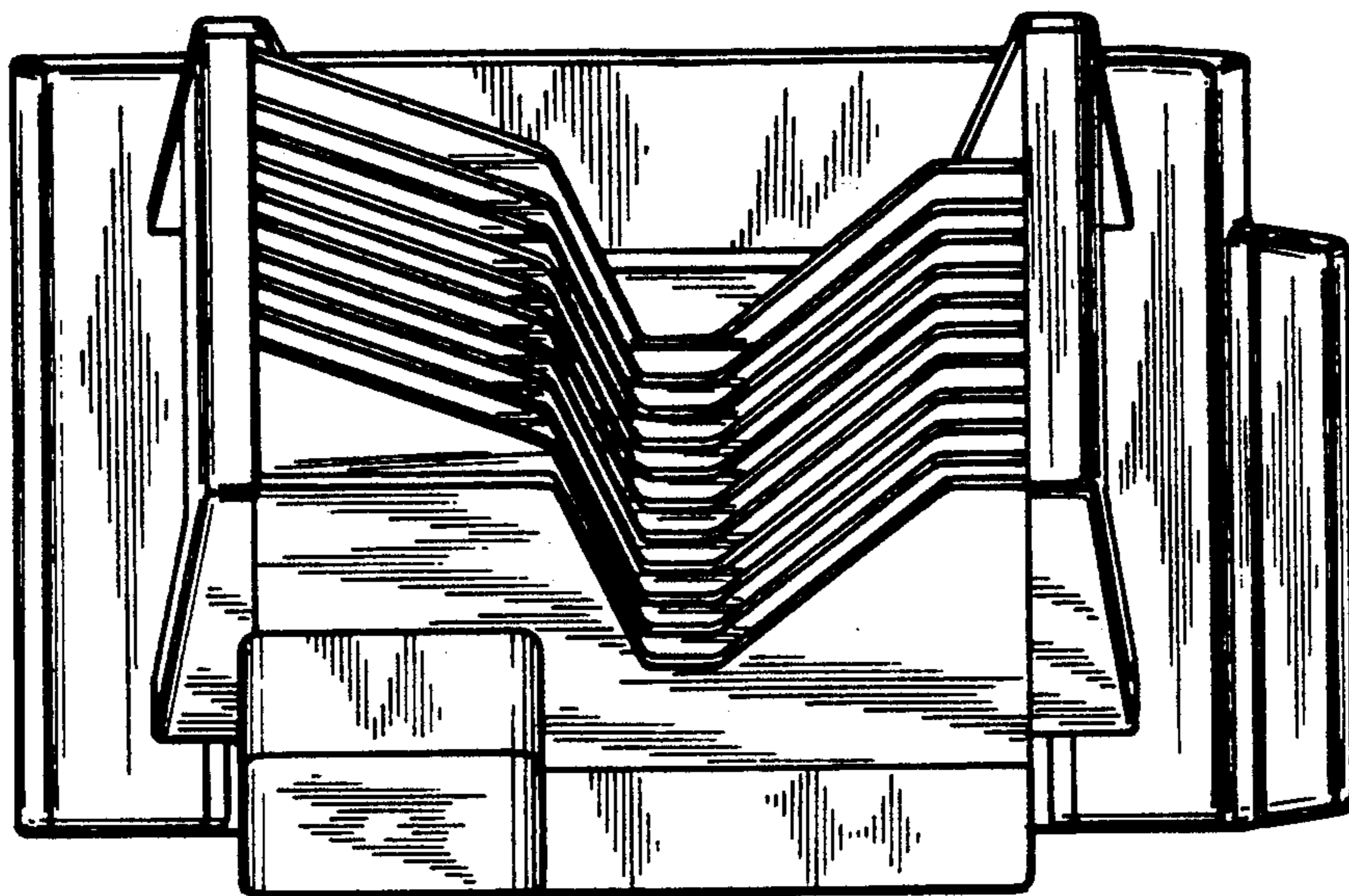


FIG. 6

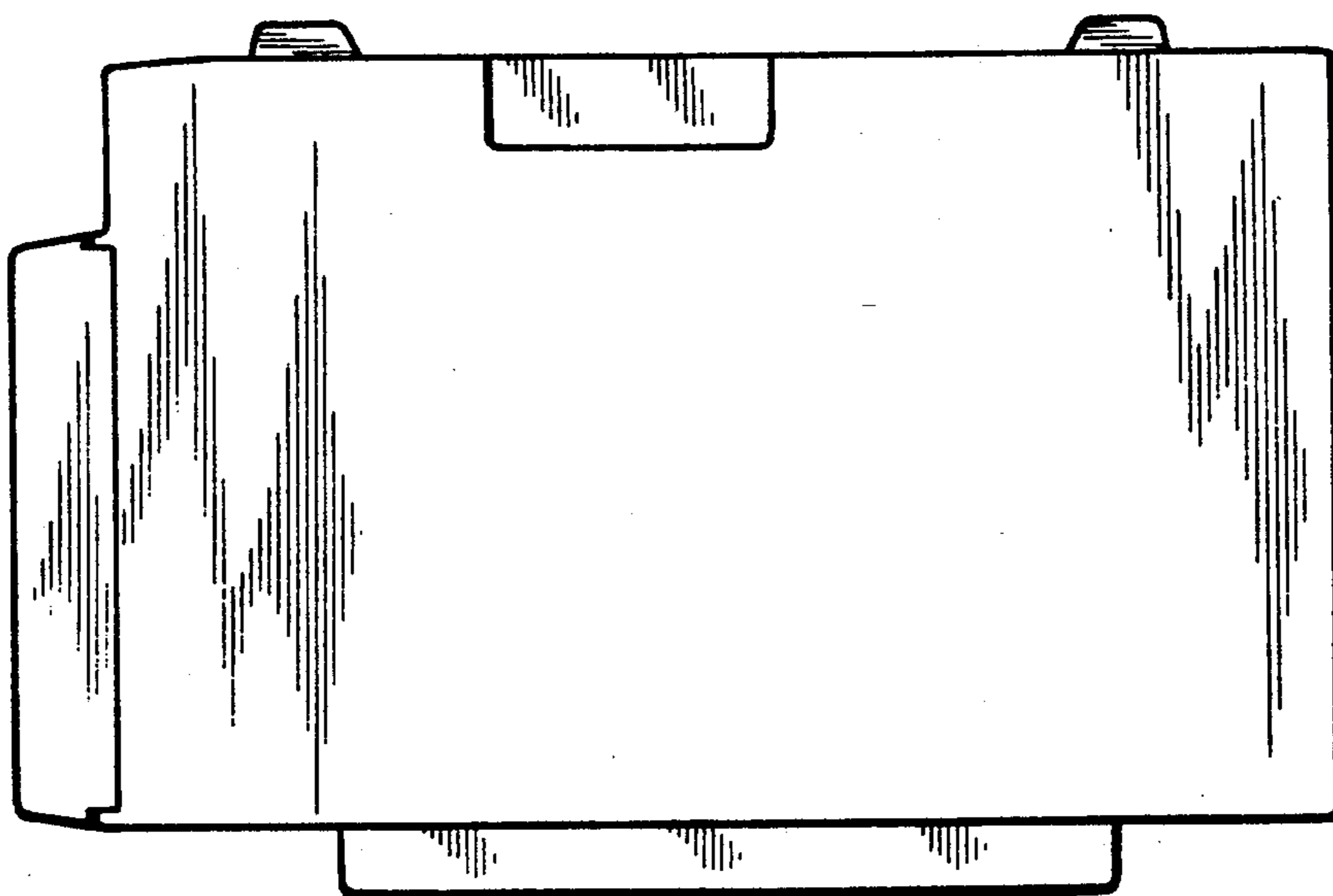
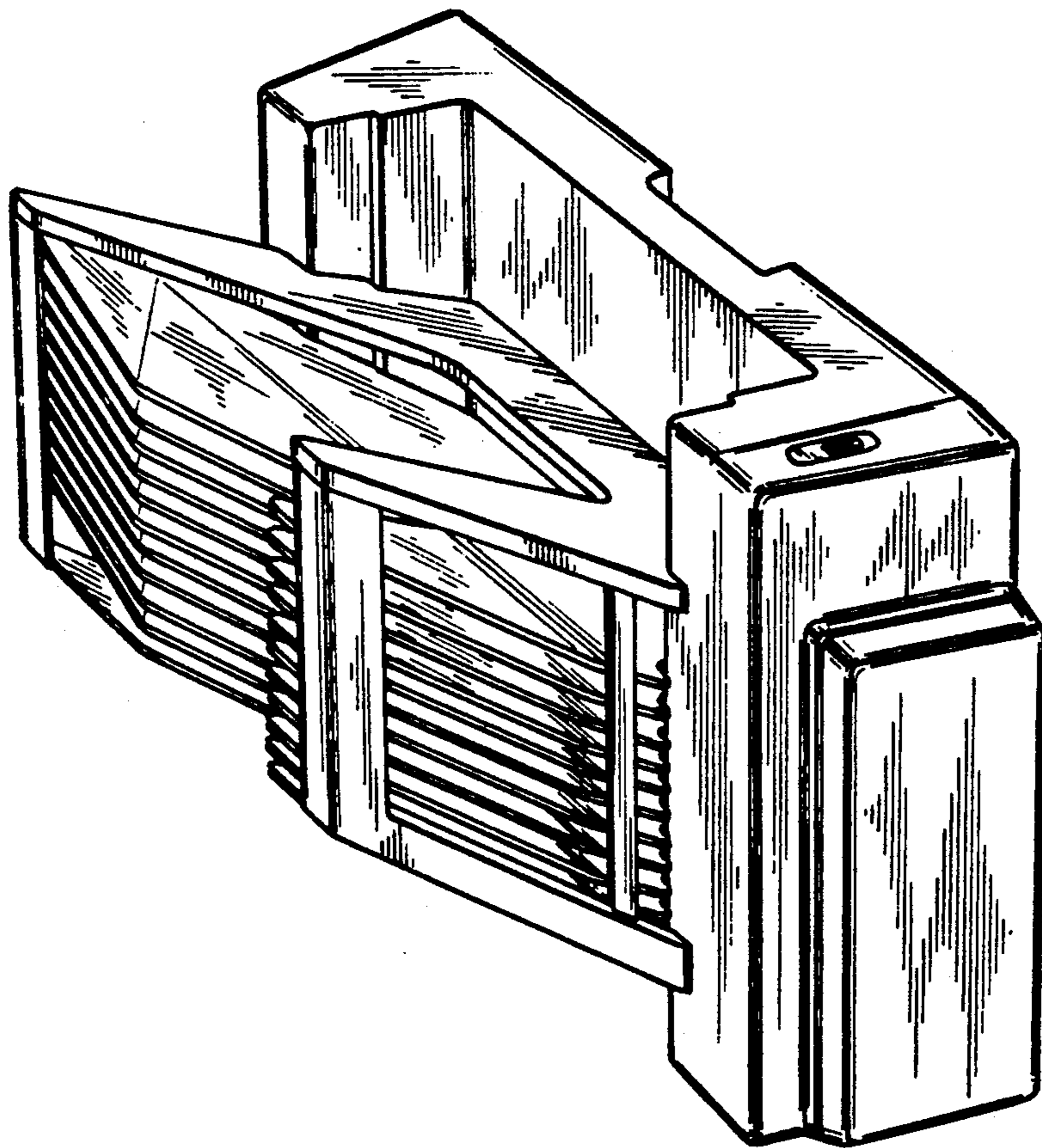


FIG. 7



UNITED STATES PATENT AND TRADEMARK OFFICE
CERTIFICATE OF CORRECTION

PATENT NO. : Des. 333,834
DATED : March 9, 1993
INVENTOR(S) : Masataka Isomoto et al.

Page 1 of 1

It is certified that error appears in the above-identified patent and that said Letters Patent is hereby corrected as shown below:

Item [73] Assignee:

"Canan Kabushiki Kaisha," should read -- Canon Kabushiki Kaisha, --.

Signed and Sealed this
Fourth Day of September, 2001

Attest:

Nicholas P. Godici

Attesting Officer

NICHOLAS P. GODICI
Acting Director of the United States Patent and Trademark Office