



US00D333832S

United States Patent [19]

Suzuki et al.

[11] Patent Number: **Des. 333,832**

[45] Date of Patent: **** Mar. 9, 1993**

[54] **CAP FOR TONER BOTTLE**
[75] Inventors: **Noriyuki Suzuki, Yokohama; Yutaka Ban, Tokyo, both of Japan**

[73] Assignee: **Canon Kabushiki Kaisha, Tokyo, Japan**

[**] Term: **14 Years**

[21] Appl. No.: **744,788**

[22] Filed: **Aug. 14, 1991**

[30] **Foreign Application Priority Data**

Feb. 19, 1991 [JP] Japan 3-004163

[52] U.S. Cl. **D18/40; D9/435; D18/43**

[58] Field of Search **D18/43, 56; D9/435; D16/246, 250; 206/527; 222/166, 240, 325, 541, DIG. 1; 141/1; 118/653, 657; 355/260, 298**

[56] **References Cited**

U.S. PATENT DOCUMENTS

D. 273,662 5/1984 Vasilash D9/435

D. 319,189 8/1991 Glick et al. D9/435
D. 319,841 9/1991 Fukuda et al. D18/43
D. 320,044 9/1991 Corby et al. D18/43
5,040,024 8/1991 Fukuda et al. 222/DIG. 1
5,074,344 12/1991 Vacek et al. 222/DIG. 1
5,089,854 2/1992 Kaieda et al. 222/DIG. 1

Primary Examiner—Alan P. Douglas

Assistant Examiner—Ann Hunt

Attorney, Agent, or Firm—Fitzpatrick, Cella, Harper & Scinto

[57] **CLAIM**

The ornamental design for a cap for toner bottle, as shown and described.

DESCRIPTION

FIG. 1 is a front elevational view of a cap for toner bottle showing our new design;
FIG. 2 is a rear elevational view thereof;
FIG. 3 is a top plan view thereof;
FIG. 4 is a bottom plan view thereof;
FIG. 5 is a left side elevational view thereof;
FIG. 6 is a right side elevational view thereof; and,
FIG. 7 is a perspective view thereof.

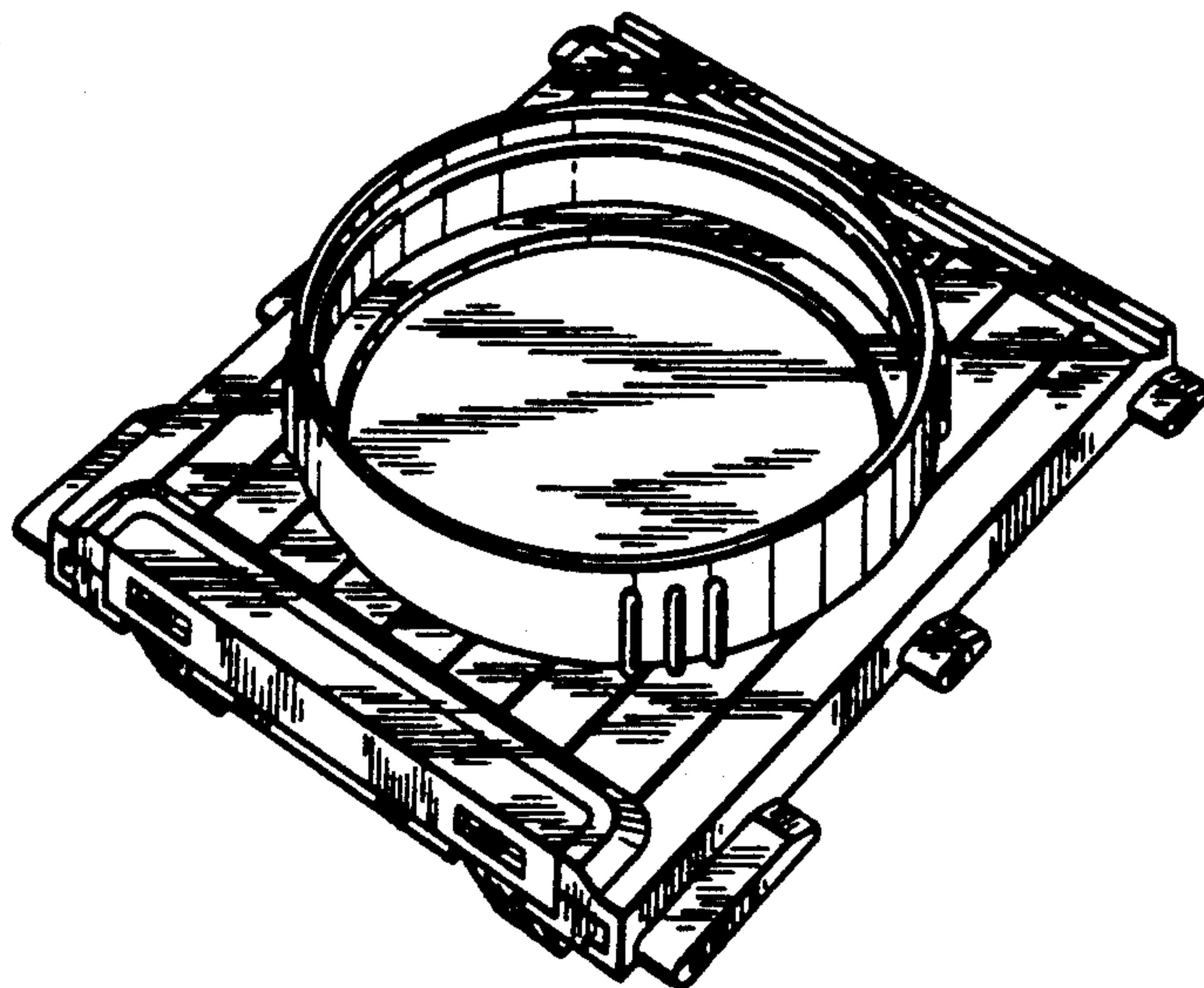


FIG. 1



FIG. 2

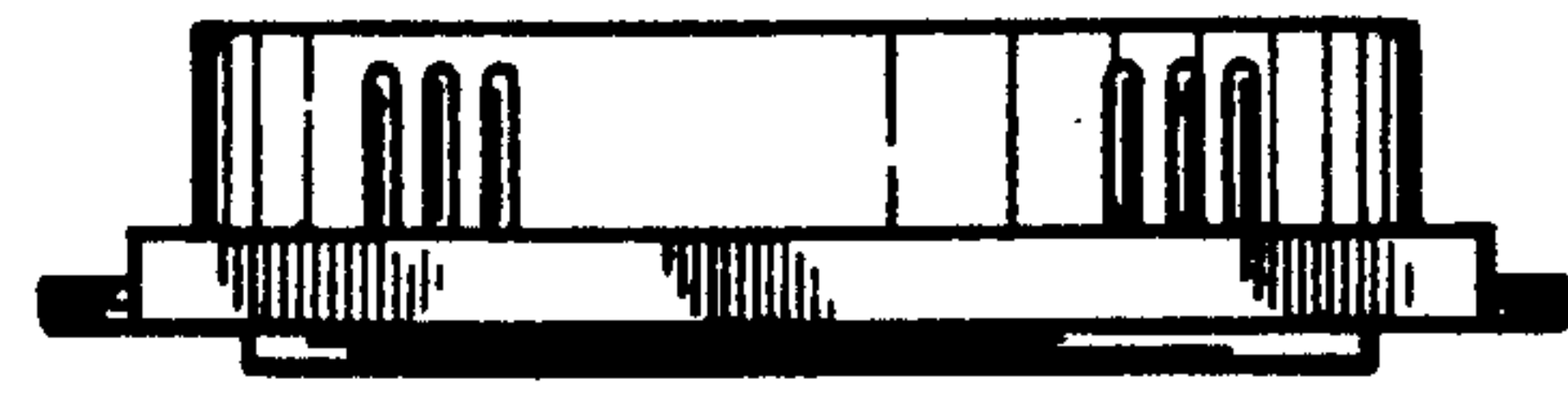


FIG. 3

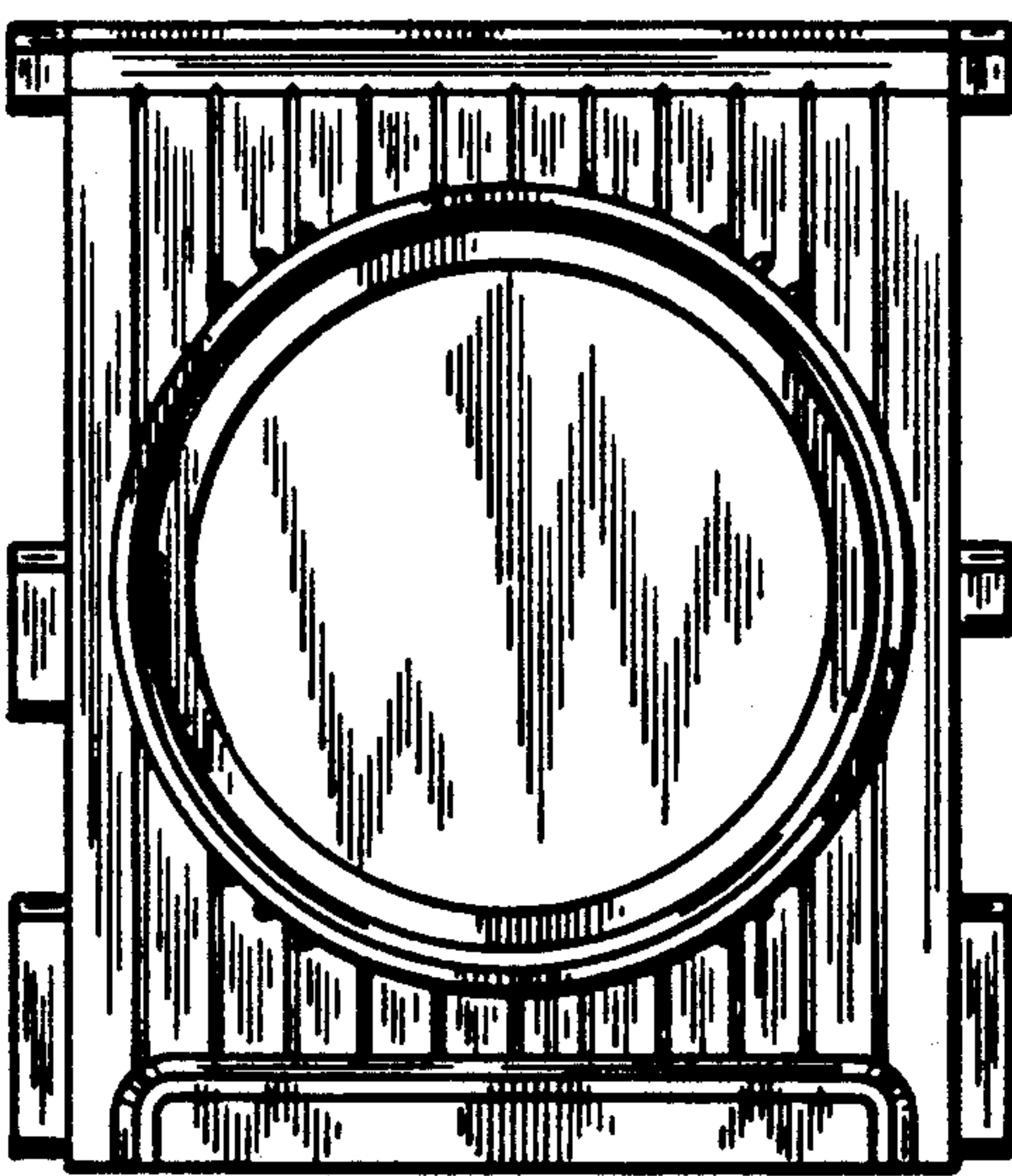


FIG. 4

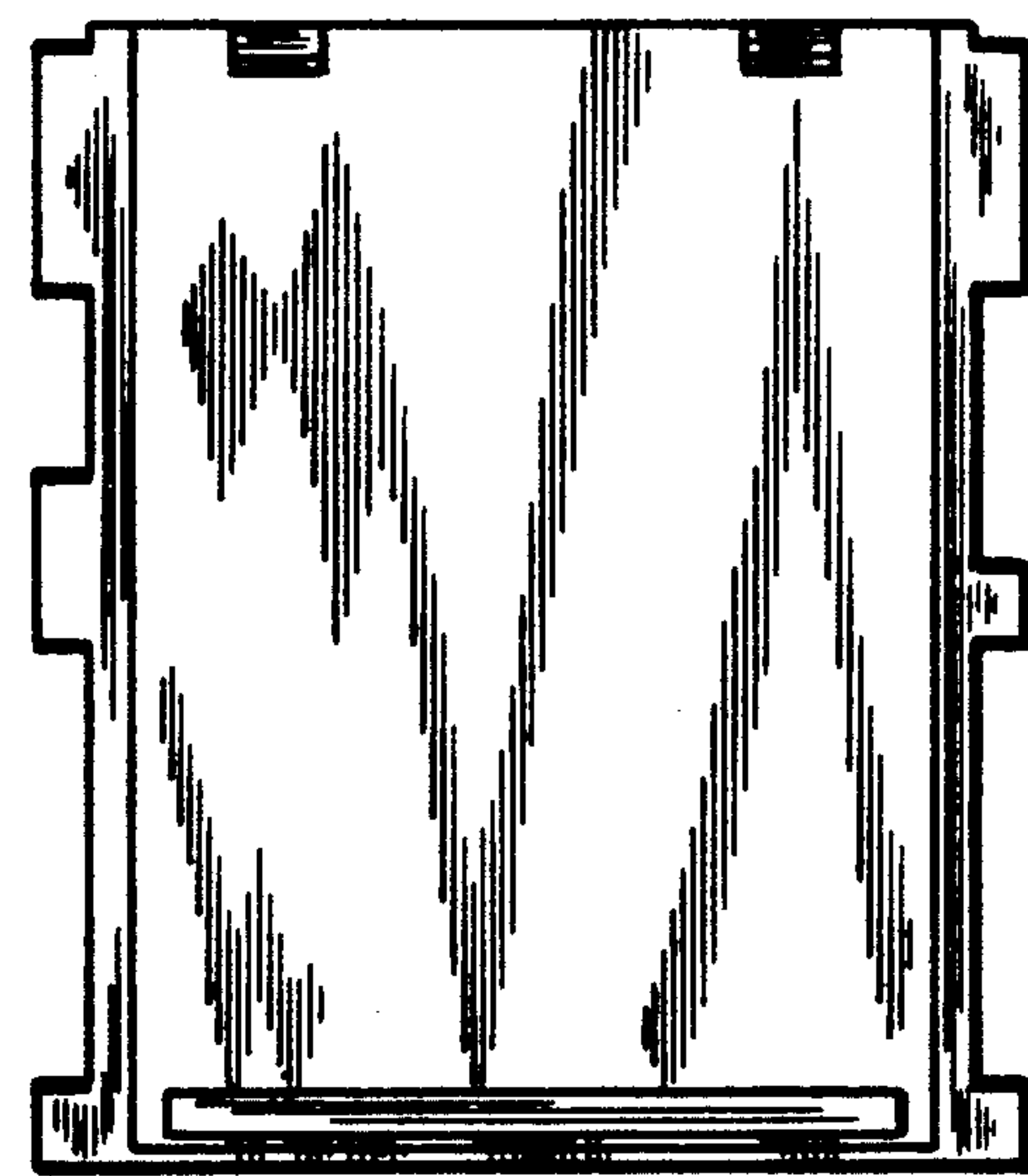


FIG. 5

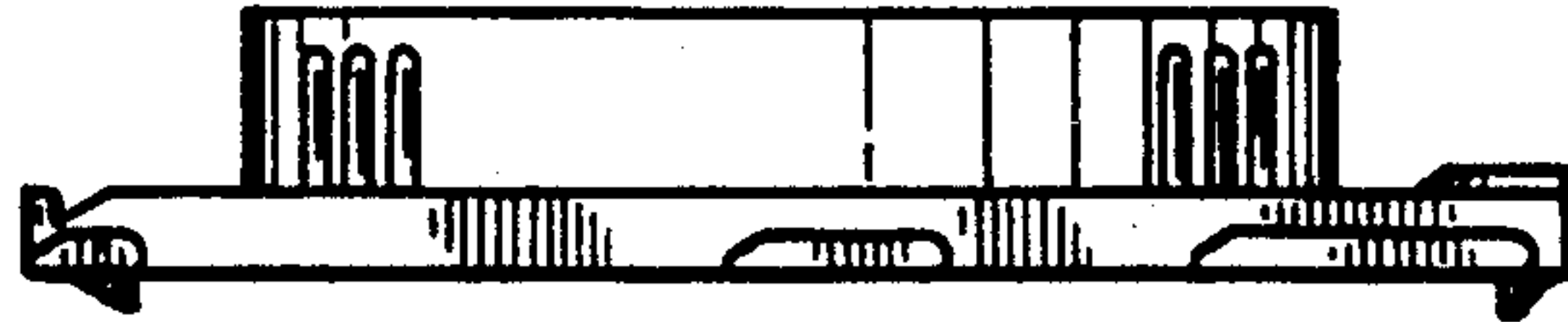


FIG. 6

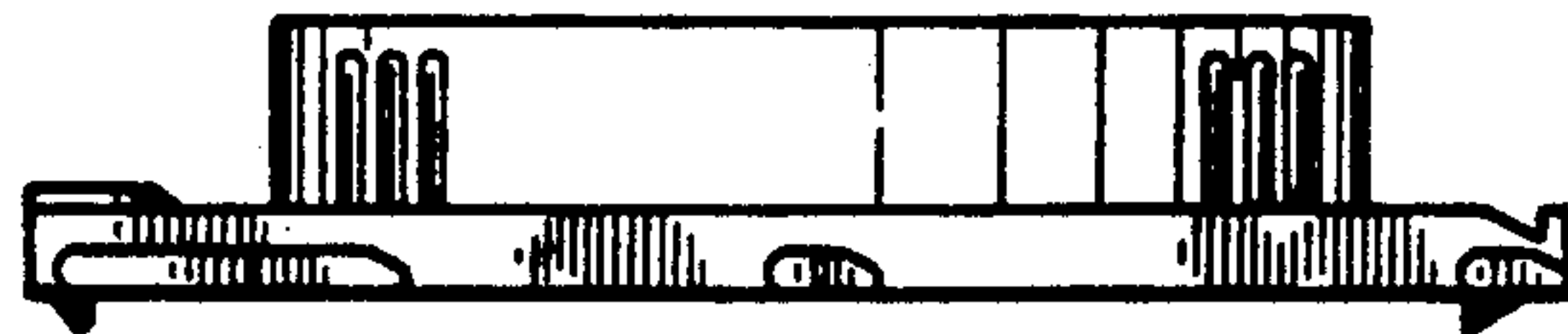


FIG. 7

