



US00D333830S

# United States Patent [19]

[11] Patent Number: **Des. 333,830**

Lampe

[45] Date of Patent: **\*\* Mar. 9, 1993**

## [54] WORD PROCESSOR

[75] Inventor: **Mark J. Lampe, Syracuse, N.Y.**

[73] Assignee: **Smith Corona Corporation, Cortland, N.Y.**

[\*\*] Term: **14 Years**

[21] Appl. No.: **646,017**

[22] Filed: **Jan. 22, 1991**

[52] U.S. Cl. .... **D18/1; D14/100**

[58] Field of Search ..... **D18/1, 2, 3, 7, 11; D14/100, 106, 111, 113; 235/145 A, 145 R; 400/472, 485, 486, 109-111, 690.3, 690.4, 691-694; 312/208; 340/700, 706, 711, 712; 341/20-23; 364/706-708**

## [56] References Cited

### U.S. PATENT DOCUMENTS

D. 294,596	3/1988	Gubbe et al. ....	D18/1
D. 310,350	9/1990	Horie et al. ....	D14/100
D. 311,926	11/1990	Kasprzycki ....	D18/1
D. 316,558	4/1991	Pierce ....	D18/1
D. 317,321	6/1991	Kasprzycki ....	D18/1
D. 317,934	7/1991	Pierce ....	D18/1

## OTHER PUBLICATIONS

Copy of a cover of a User's Guide for a Brother Word Processor, Model WP-65, Nov. 1989.

Copy of an advertisement flyer for a Panasonic Word Processor, Model W1000, Jan. 1990.

*Primary Examiner*—Alan P. Douglas

*Assistant Examiner*—Ann Hunt

## [57] CLAIM

The ornamental design for a word processor, as shown and described.

## DESCRIPTION

FIG. 1 is a front, right side perspective view of a word processor showing my new design, with the cover and display members in closed position;

FIG. 2 is a top plan view;

FIG. 3 is a front elevational view;

FIG. 4 is a left side elevational view;

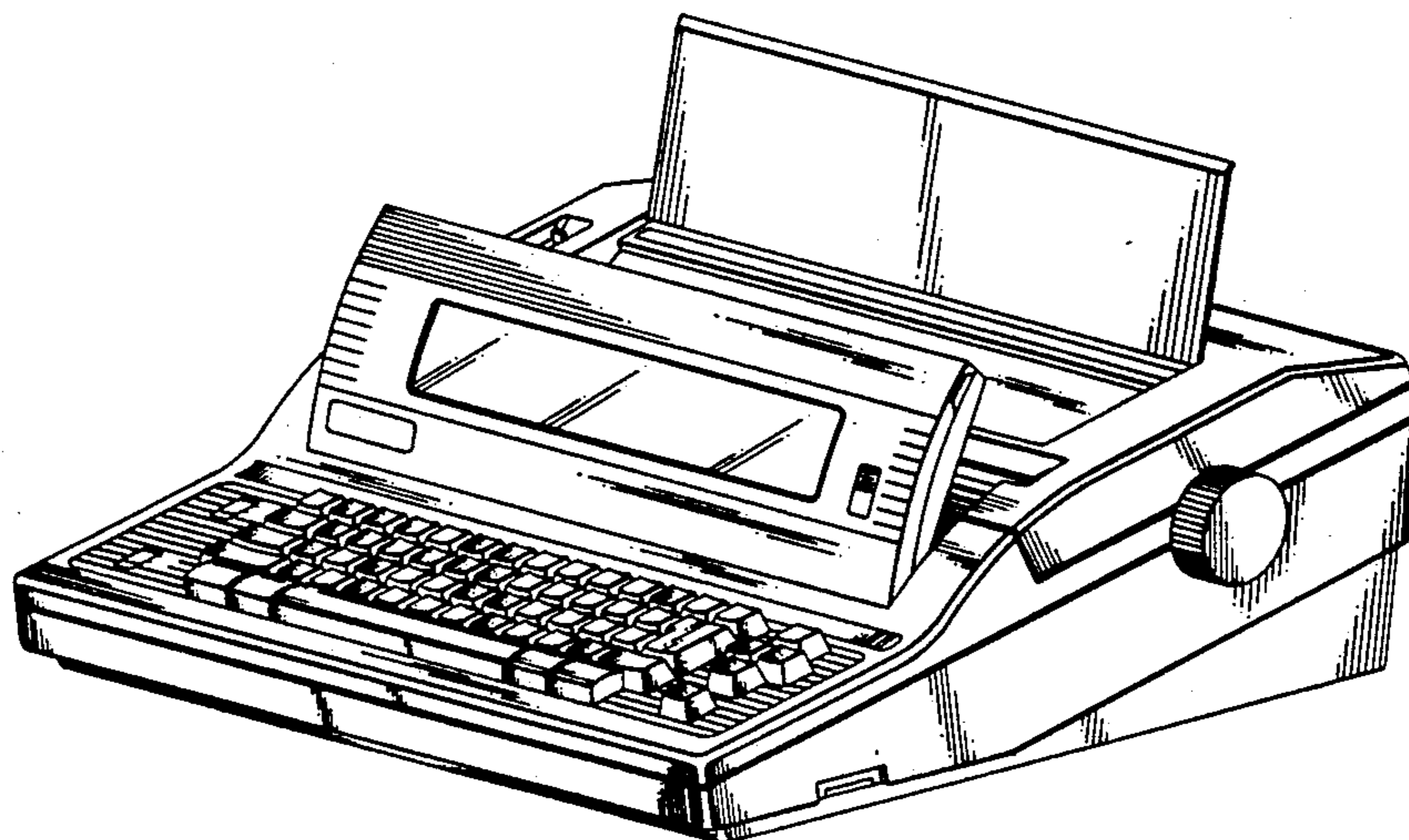
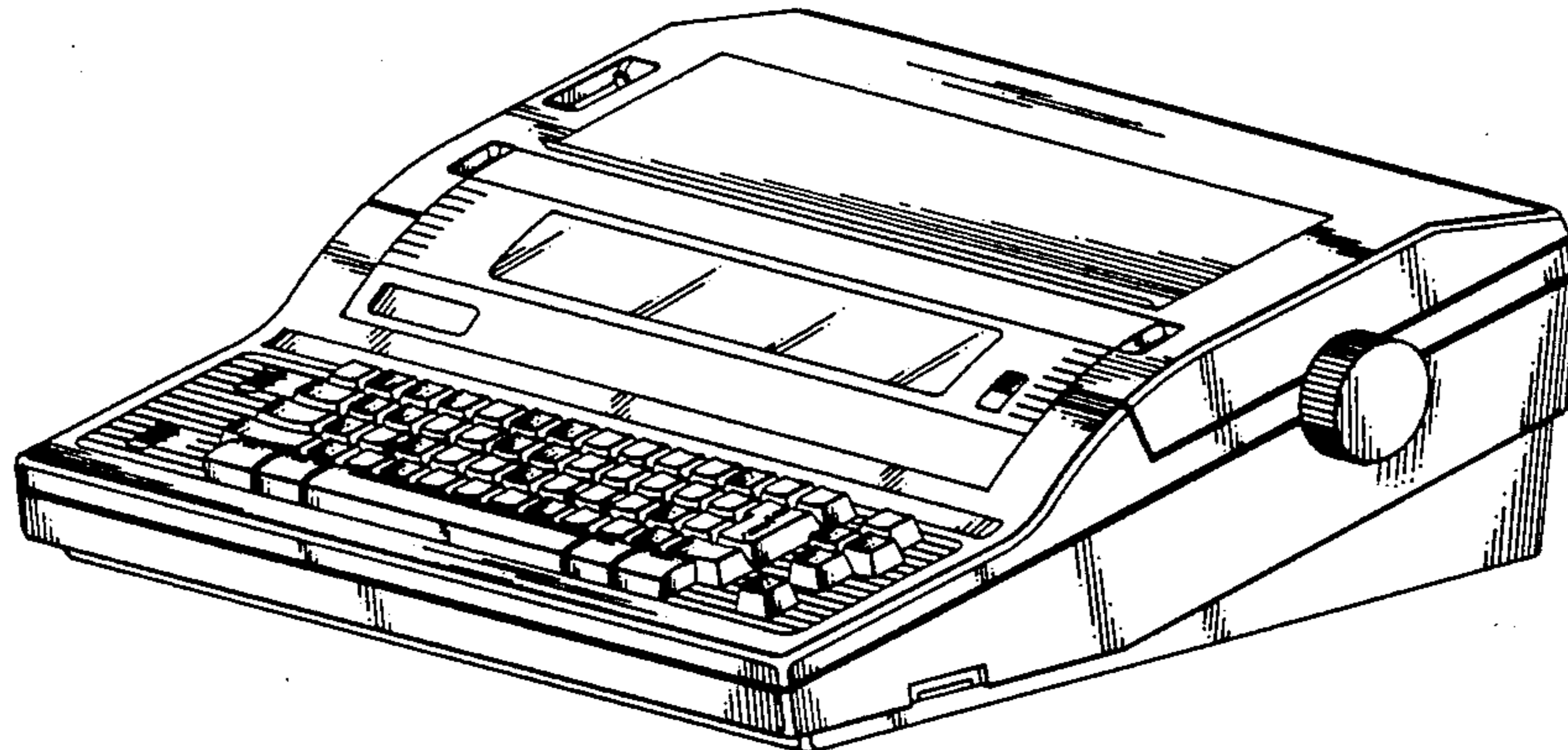
FIG. 5 is a right side elevational view;

FIG. 6 is a bottom plan view;

FIG. 7 is a rear elevational view thereof;

FIG. 8 is a front, right side perspective view thereof, with the cover and display members in an open position; and,

FIG. 9 is front, left side perspective view thereof.



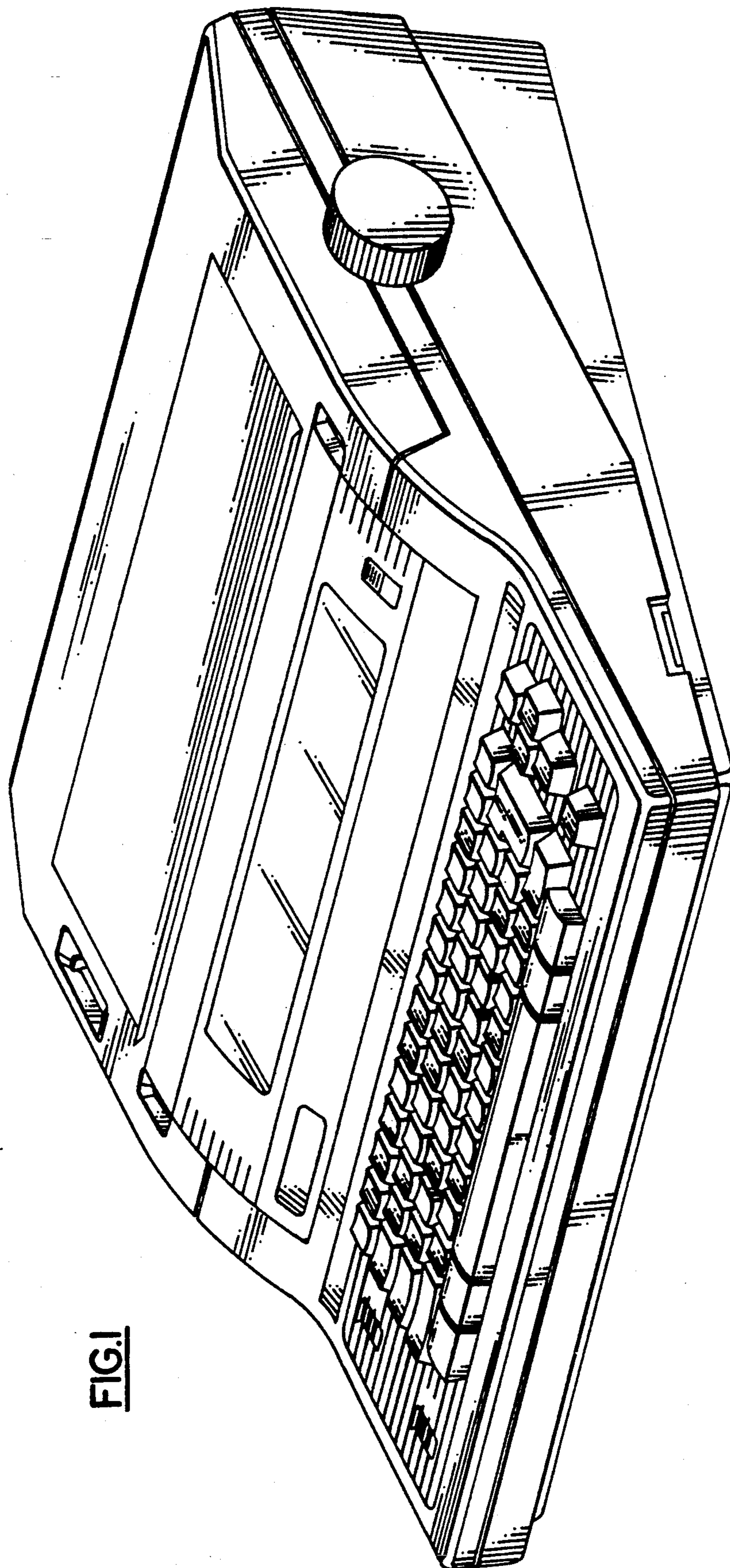


FIG. 1

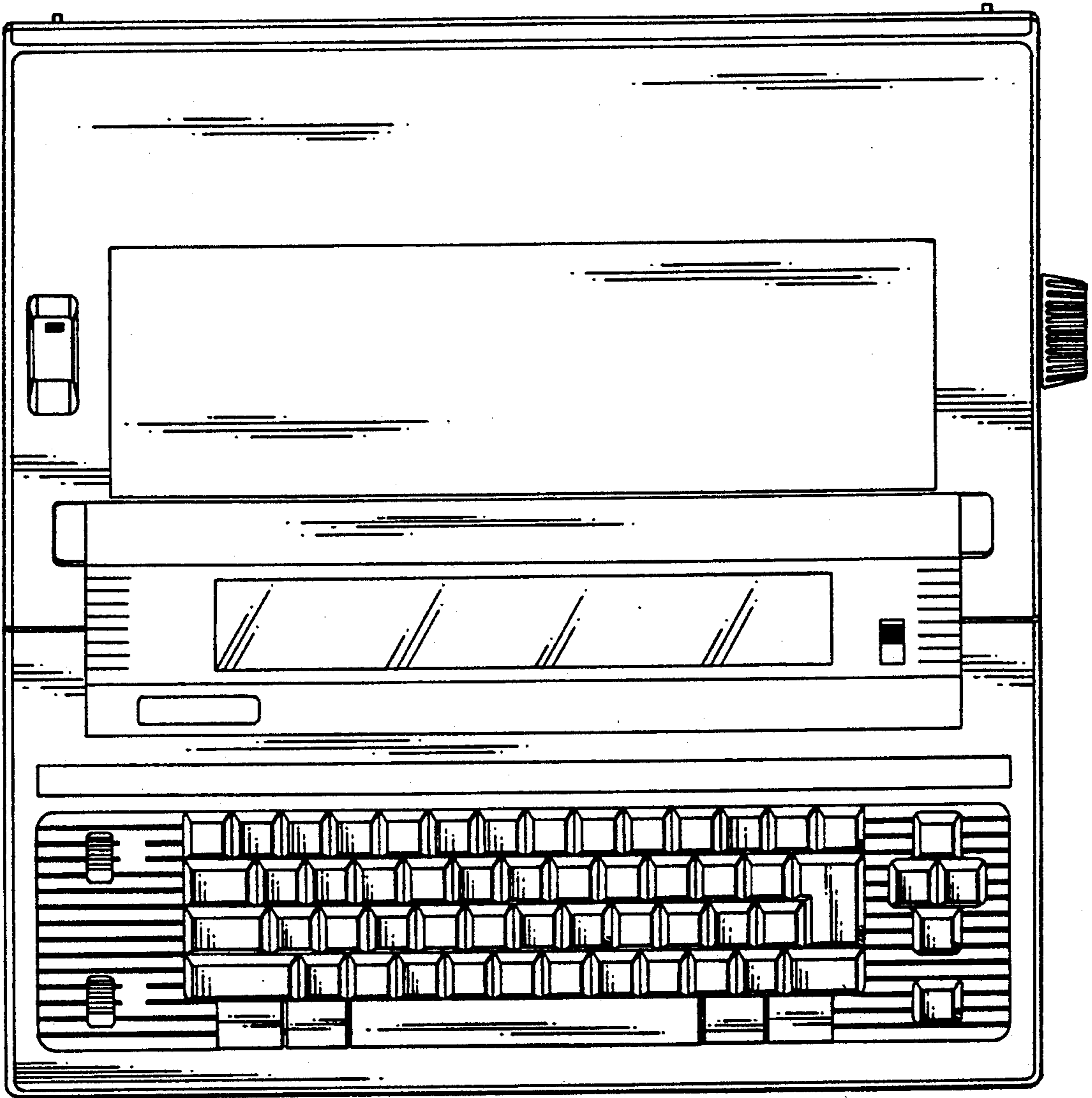


FIG. 2

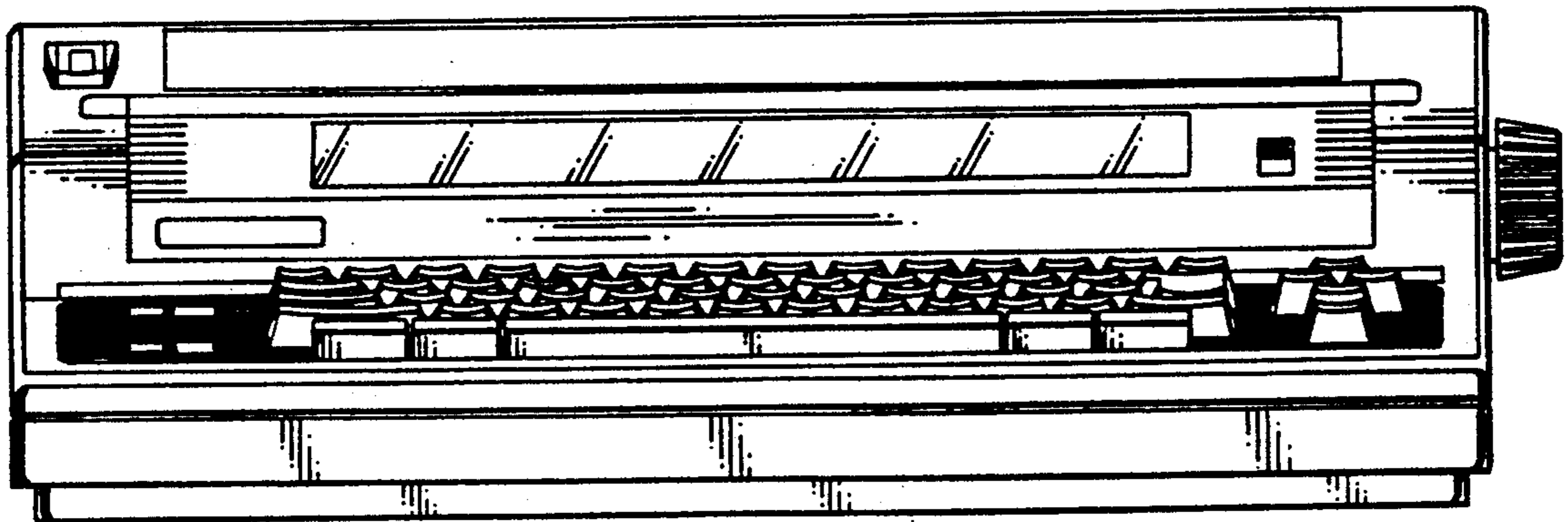


FIG. 3

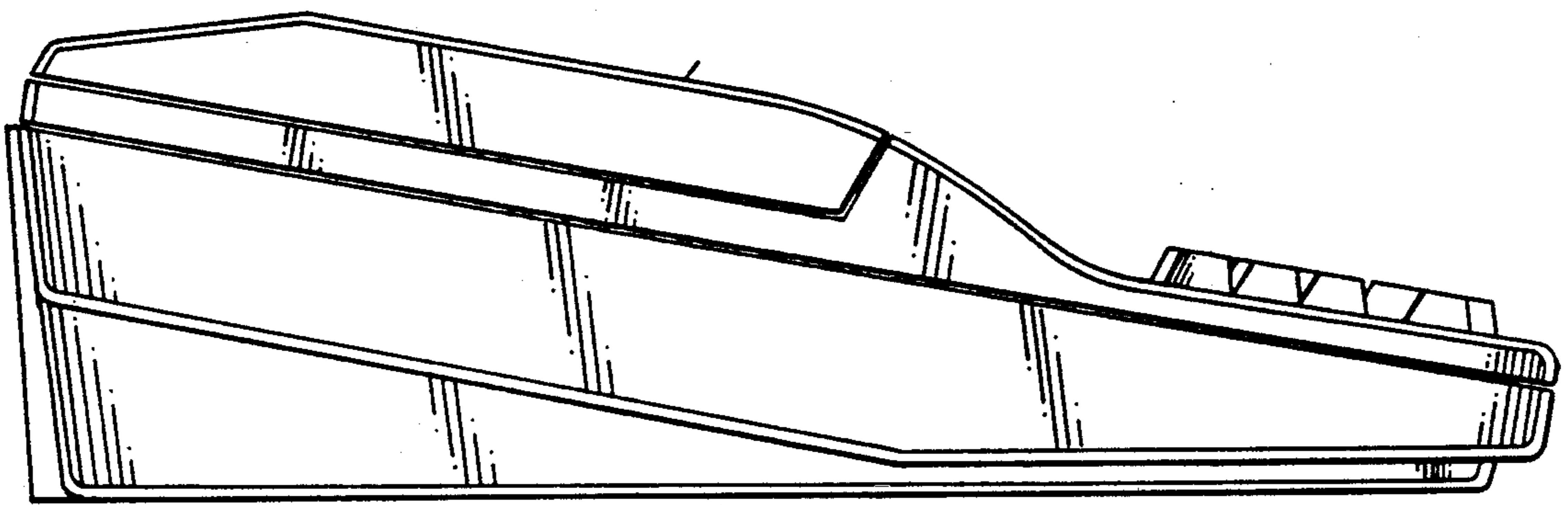


FIG.4

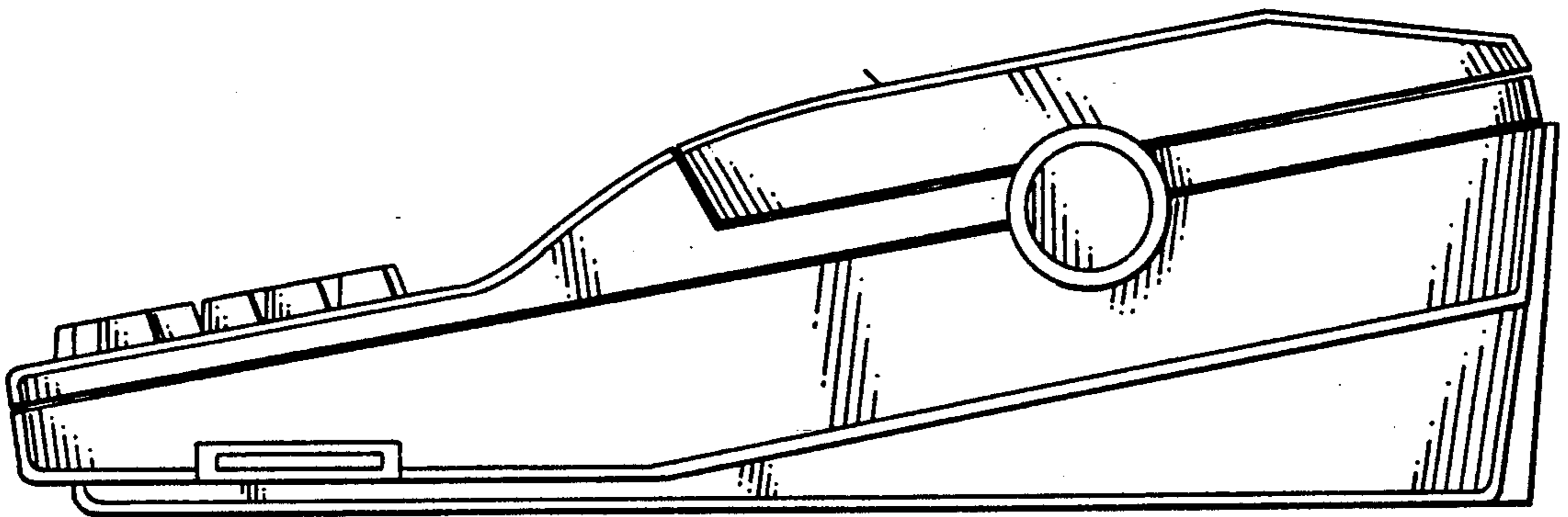


FIG.5

FIG.6

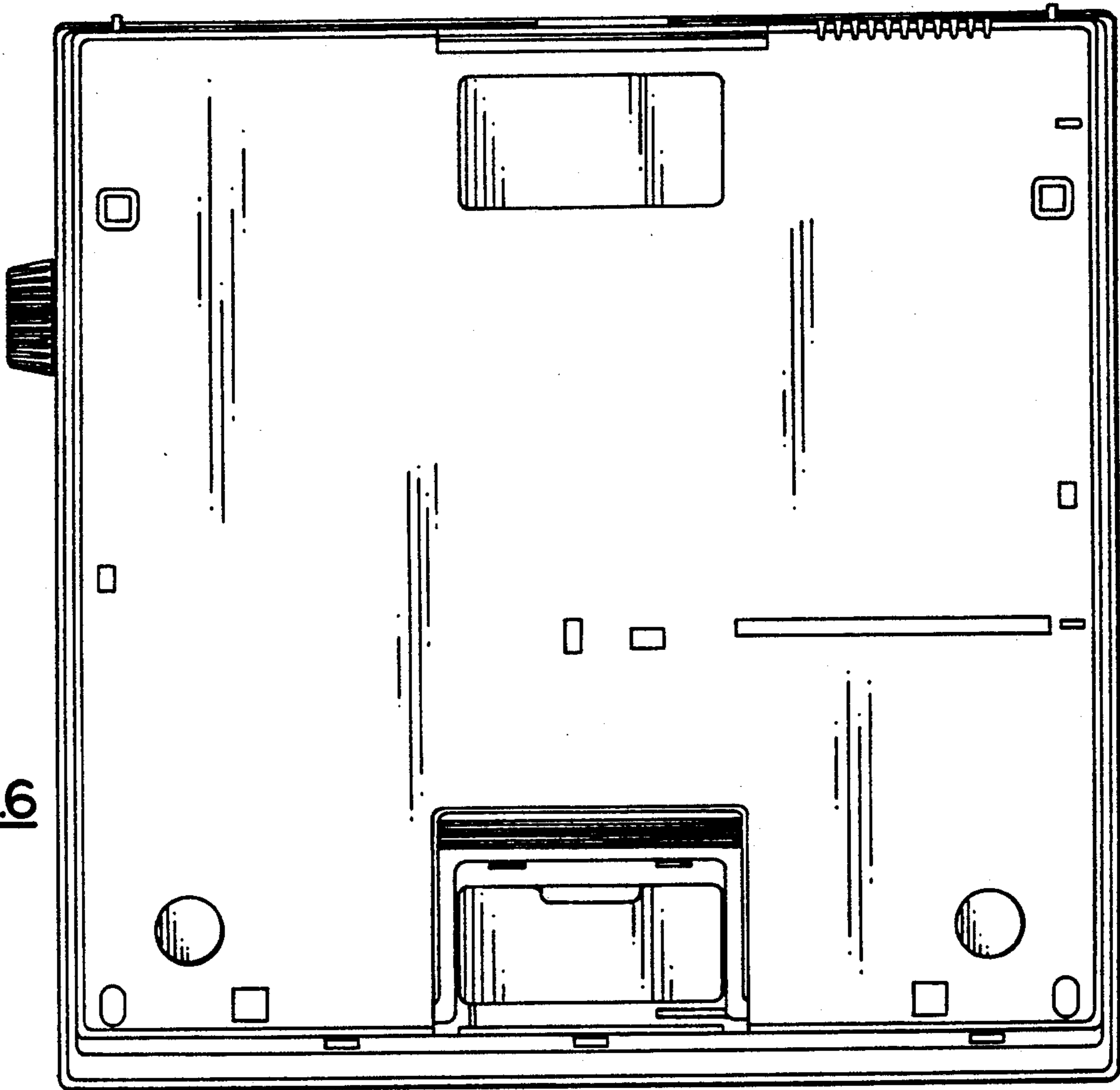
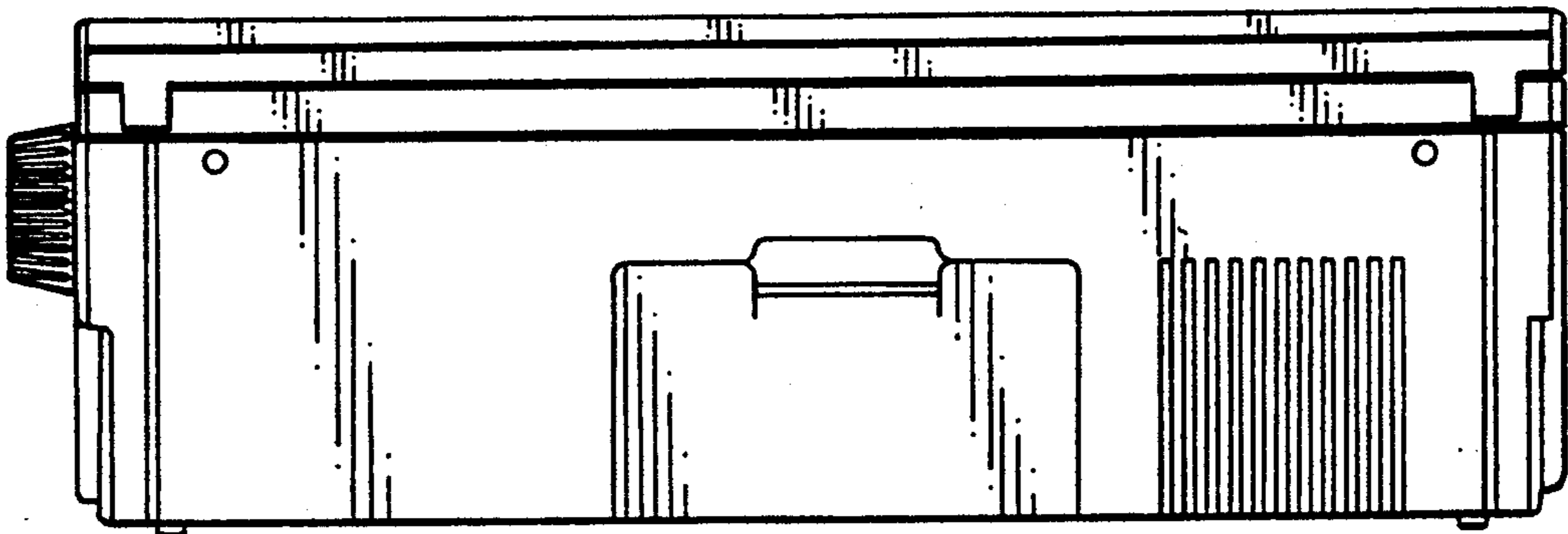
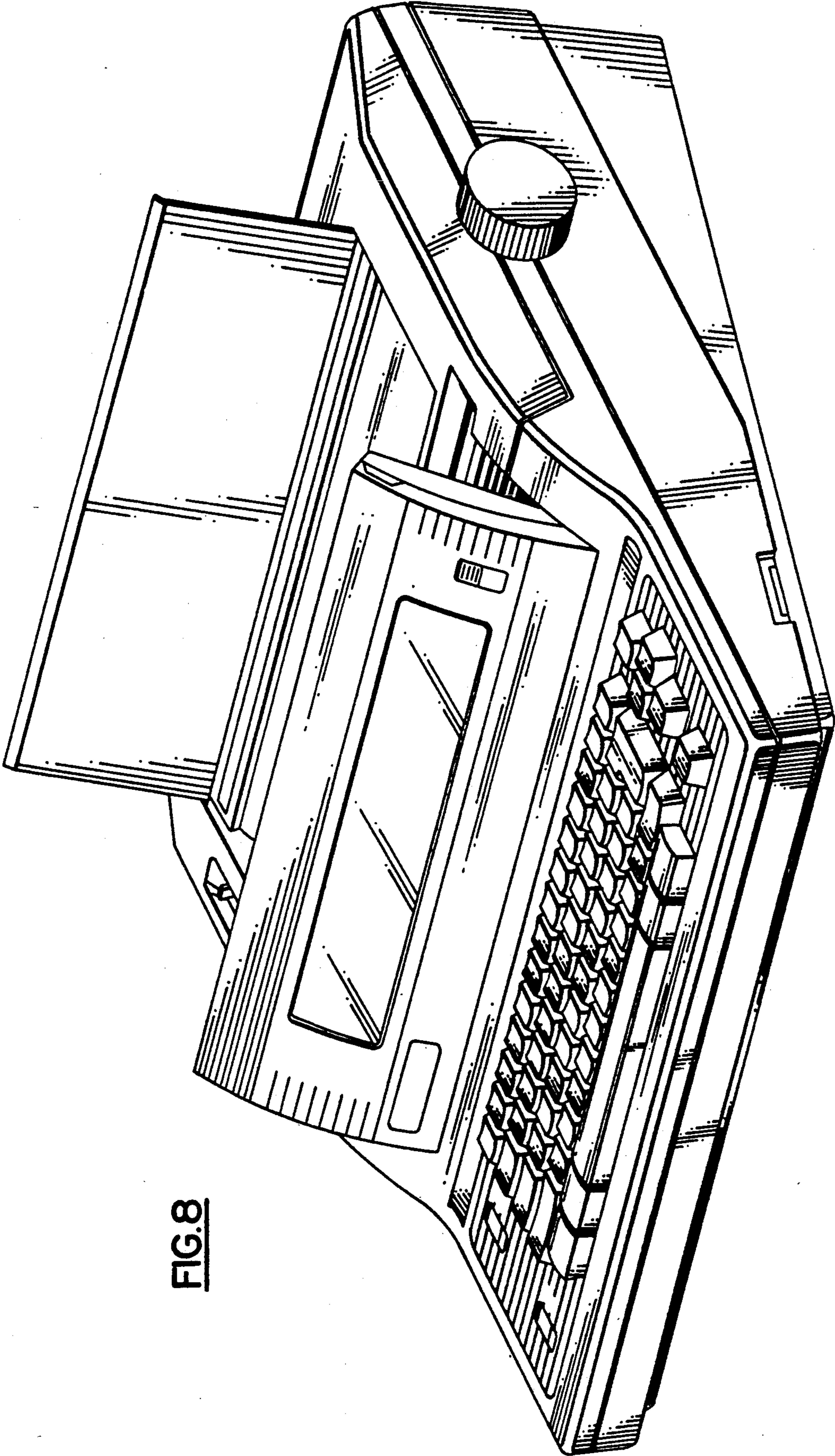


FIG.7





**FIG. 8**

**FIG. 9**

