



US00D333828S

United States Patent [19]
Baldassarre

[11] **Patent Number: Des. 333,828**
[45] **Date of Patent: ** Mar. 9, 1993**

[54] **BINOCULAR**

[75] **Inventor: Fabio Baldassarre, Rome, Italy**

[73] **Assignee: Balda's Snc, Rome, Italy**

[**] **Term: 14 Years**

[21] **Appl. No.: 578,991**

[22] **Filed: Sep. 6, 1990**

[30] **Foreign Application Priority Data**

Mar. 6, 1990 [IB] Int'l Pat. Institute DM/016090

[52] **U.S. Cl. D16/133**

[58] **Field of Search D16/133, 135; 359/404, 359/407, 410, 411, 408, 413, 414, 417, 418, 421-422, 480**

[56] **References Cited**

U.S. PATENT DOCUMENTS

D. 154,492	7/1949	Katz	D16/133
D. 156,733	1/1950	Hofer et al.	D16/133
D. 296,337	6/1988	Caplan	D16/133
395,872	1/1889	Briggs	359/411
396,657	1/1889	Holle	359/408
574,124	12/1896	Wainwright	359/408

1,851,579	3/1932	Hixon	359/411
2,024,018	12/1935	Wollensak	359/411
2,280,354	4/1942	Rezos	359/408
2,986,969	6/1961	Muncheryan	359/480 X
3,029,696	4/1962	Schmidt	359/411

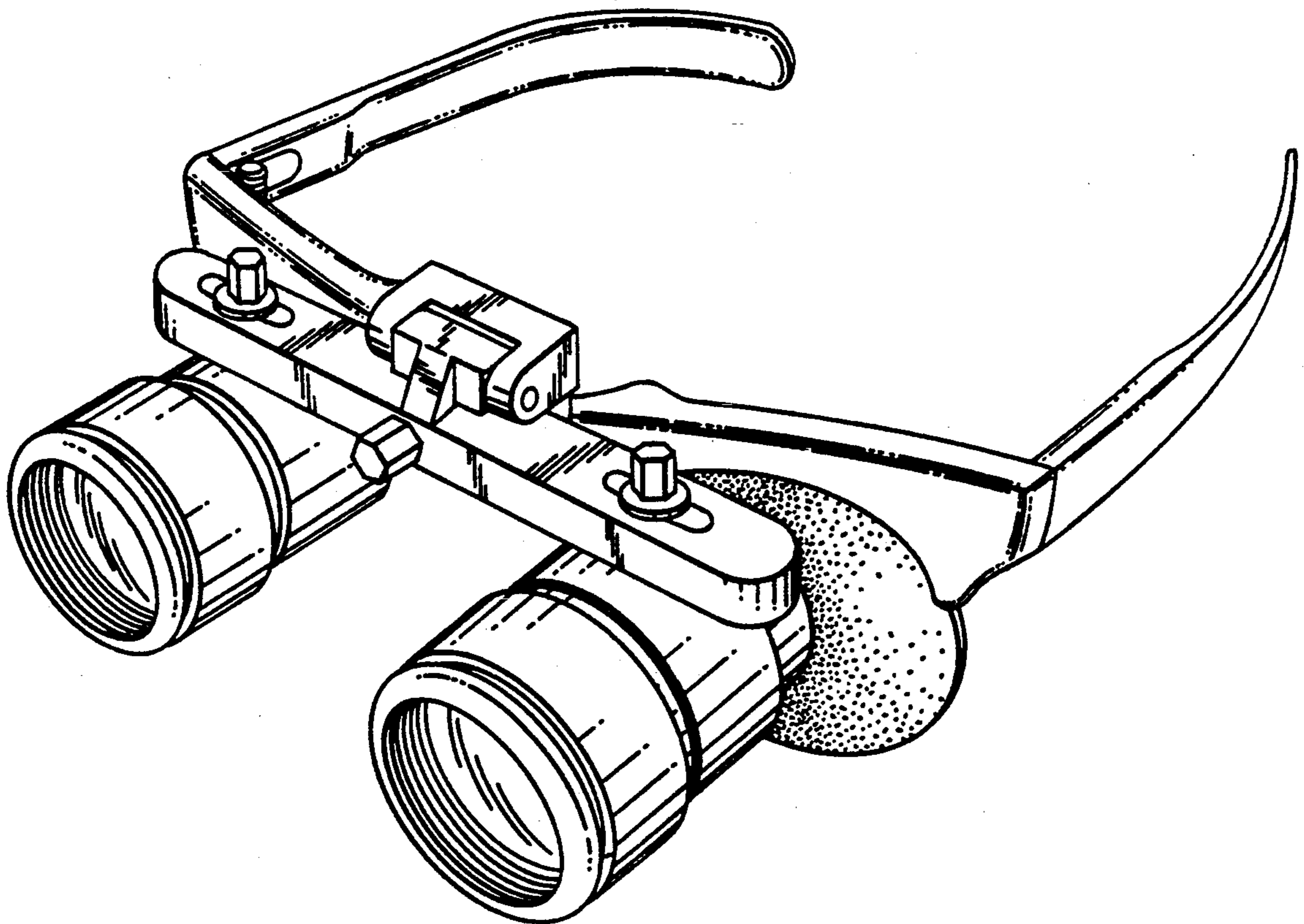
Primary Examiner—A. Hugo Word
Assistant Examiner—Doris V. Coles
Attorney, Agent, or Firm—Barnes, Kisselle, Raisch, Choate, Whittemore & Hulbert

[57] **CLAIM**

The ornamental design for a binocular, as shown and described.

DESCRIPTION

FIG. 1 is a perspective view of a binocular in the open position showing my new design;
FIG. 2 is a top plan view thereof;
FIG. 3 is a front elevational view thereof;
FIG. 4 is a rear elevational view thereof;
FIG. 5 is a bottom plan view thereof;
FIG. 6 is a right side elevational view, the left side being a mirror image thereof;
FIG. 7 is a right side elevational view in a different position; and,
FIG. 8 is a bottom plan view thereof.



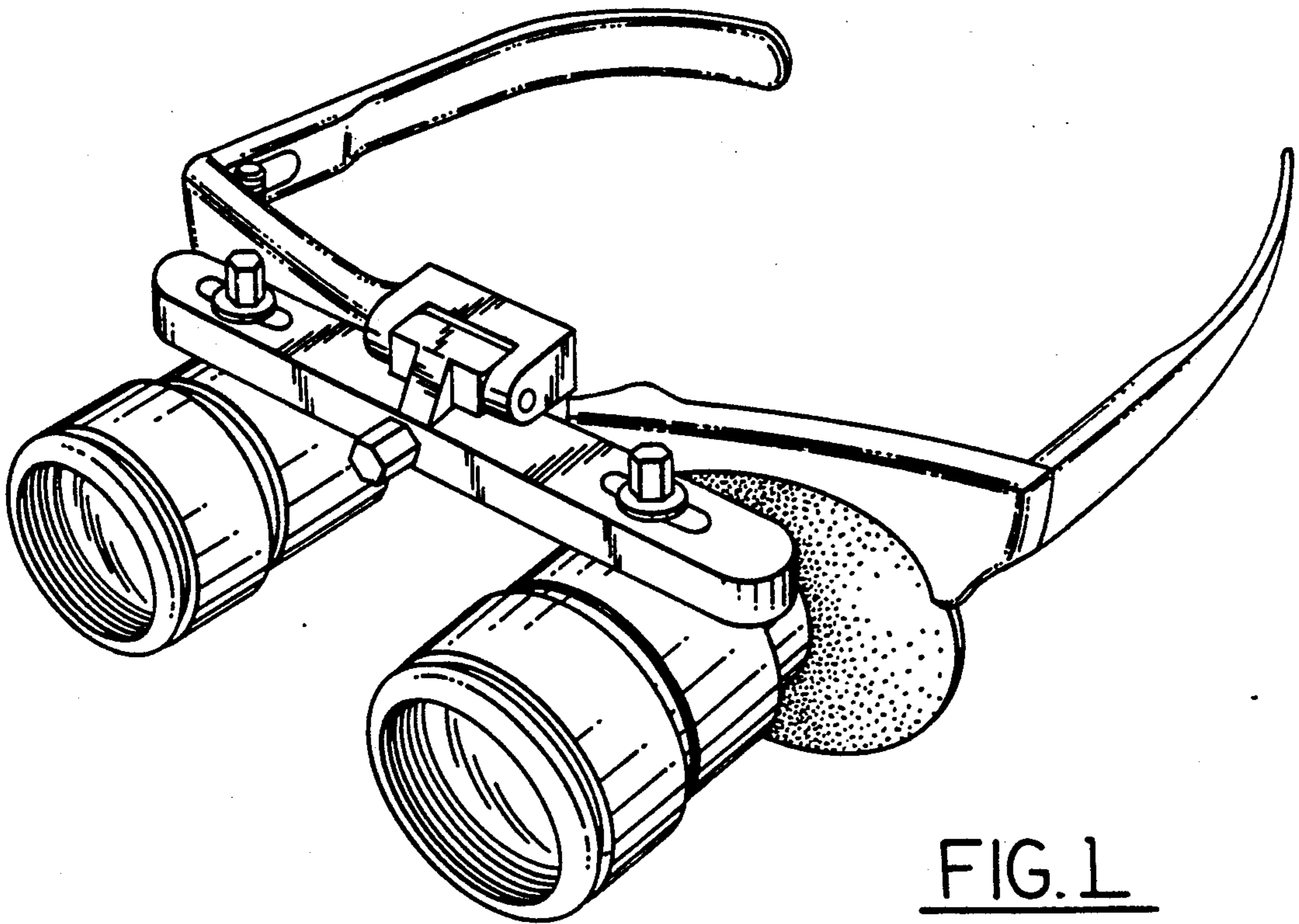


FIG. 1

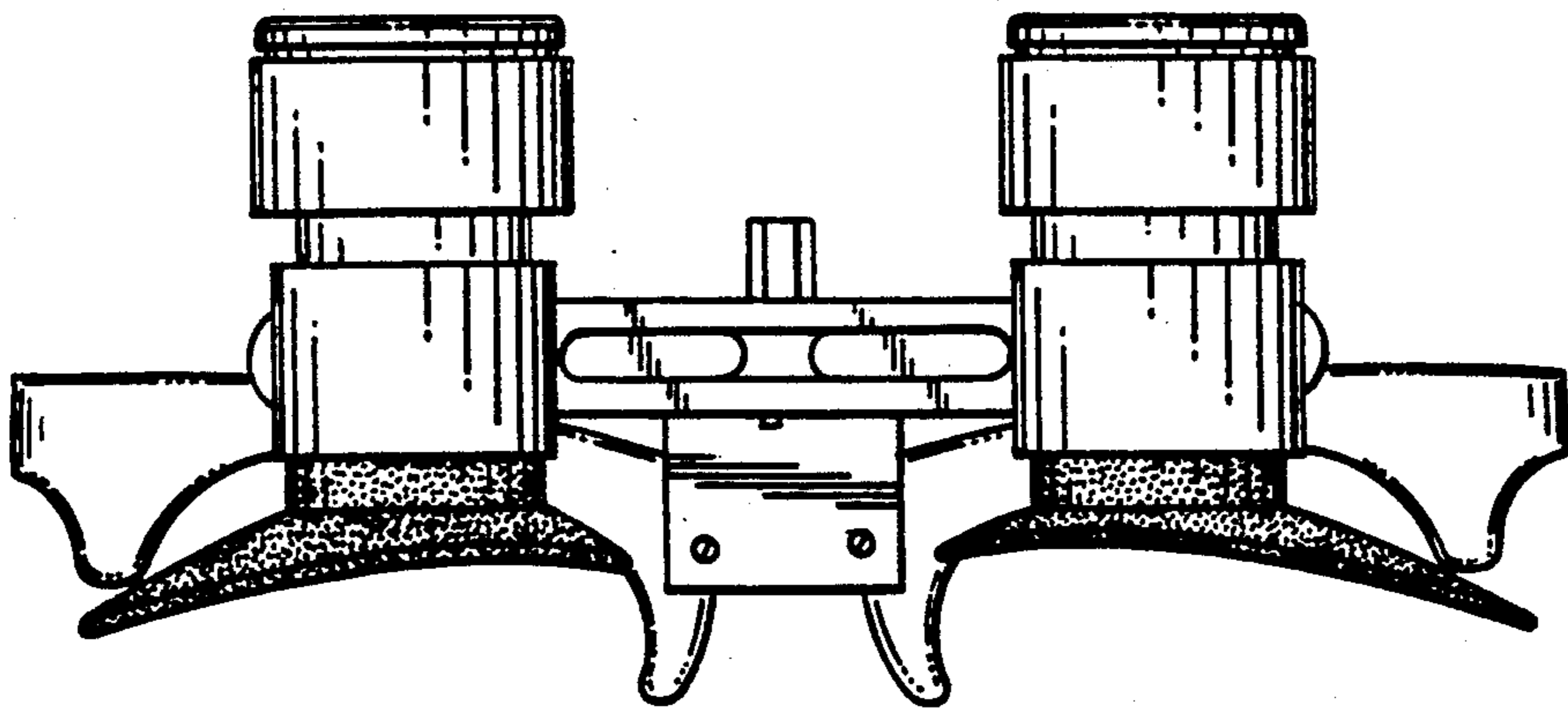


FIG. 8

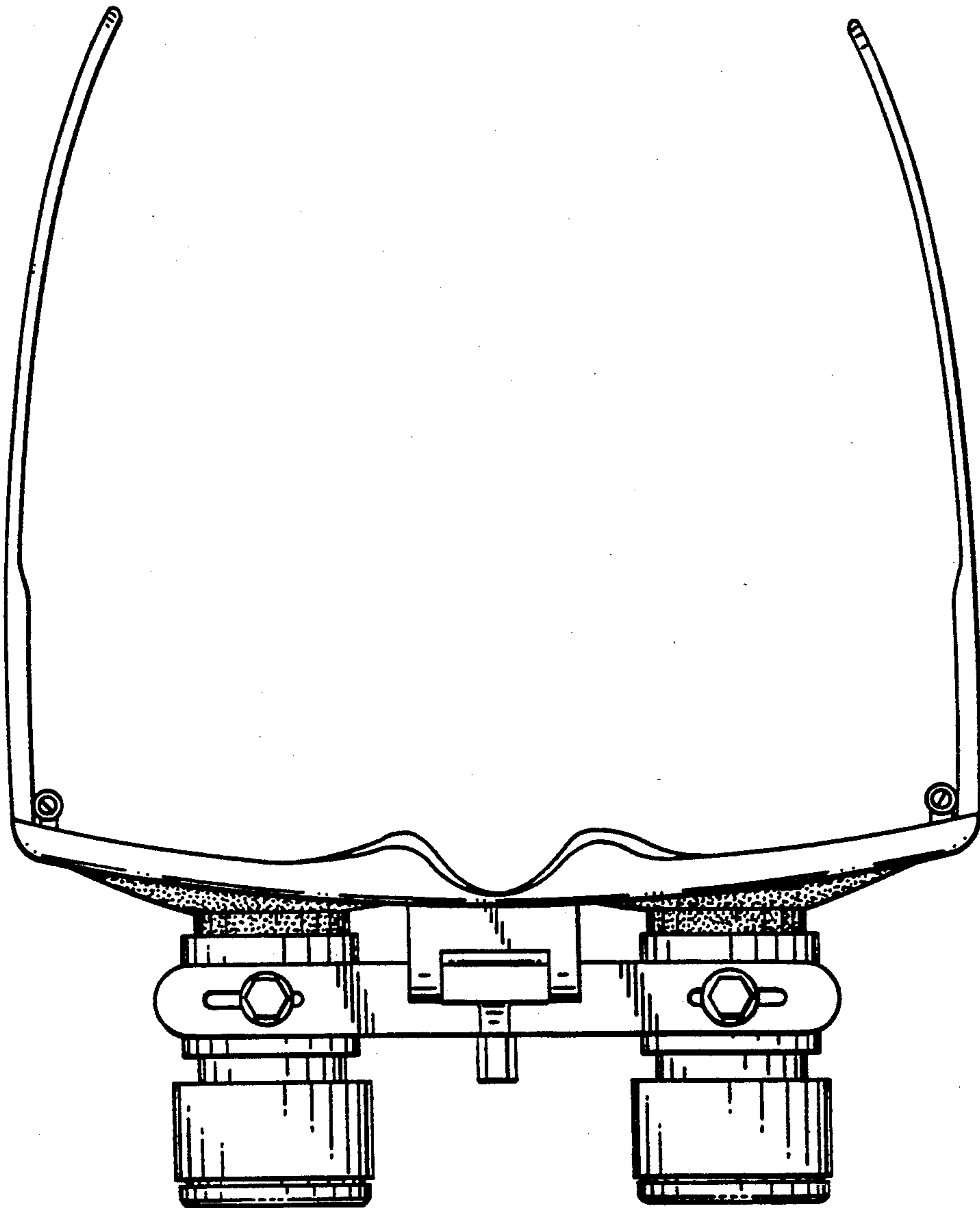


FIG. 2

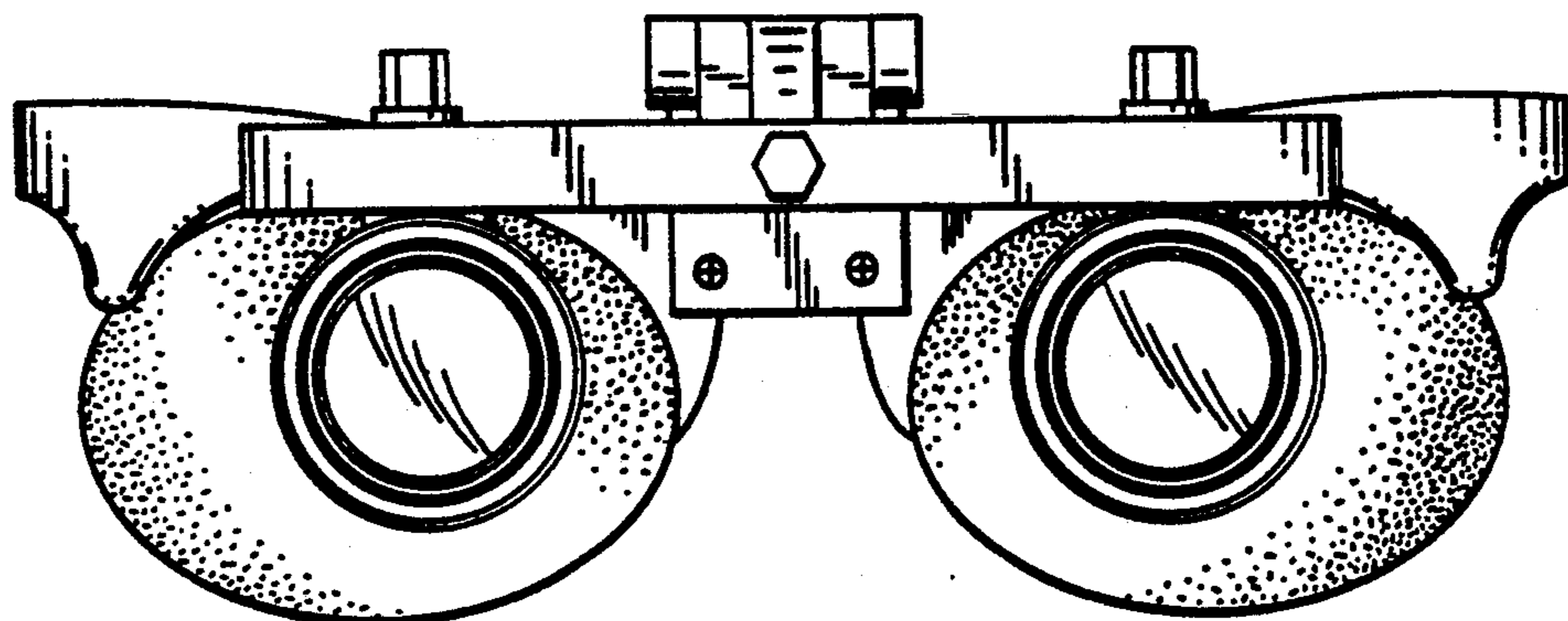


FIG. 3

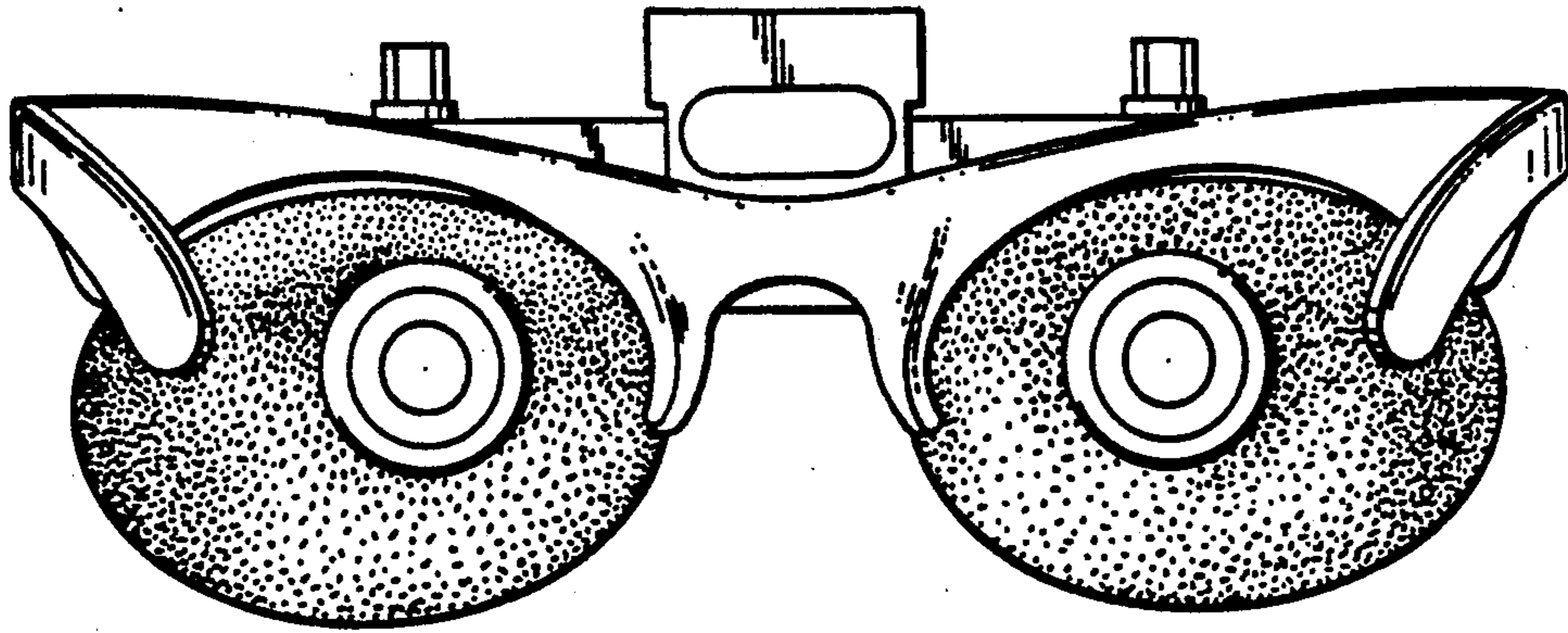


FIG. 4

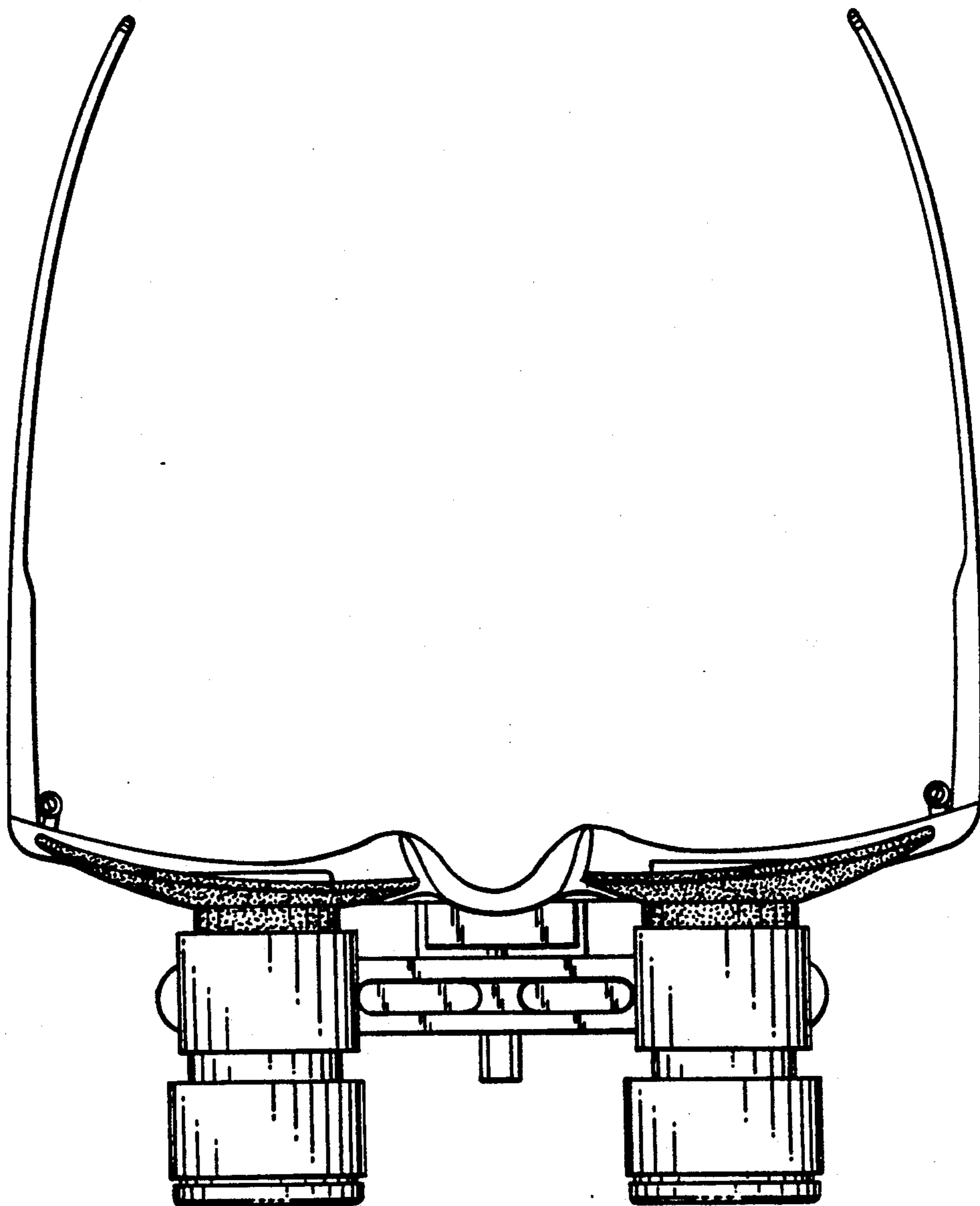


FIG. 5

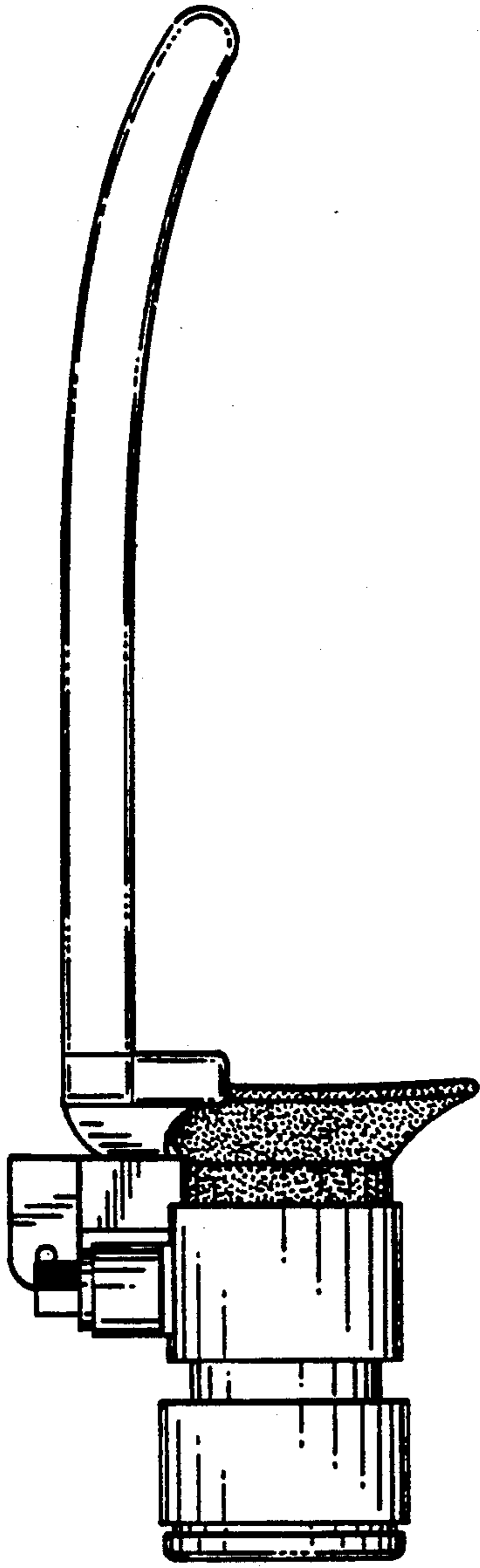


FIG. 6

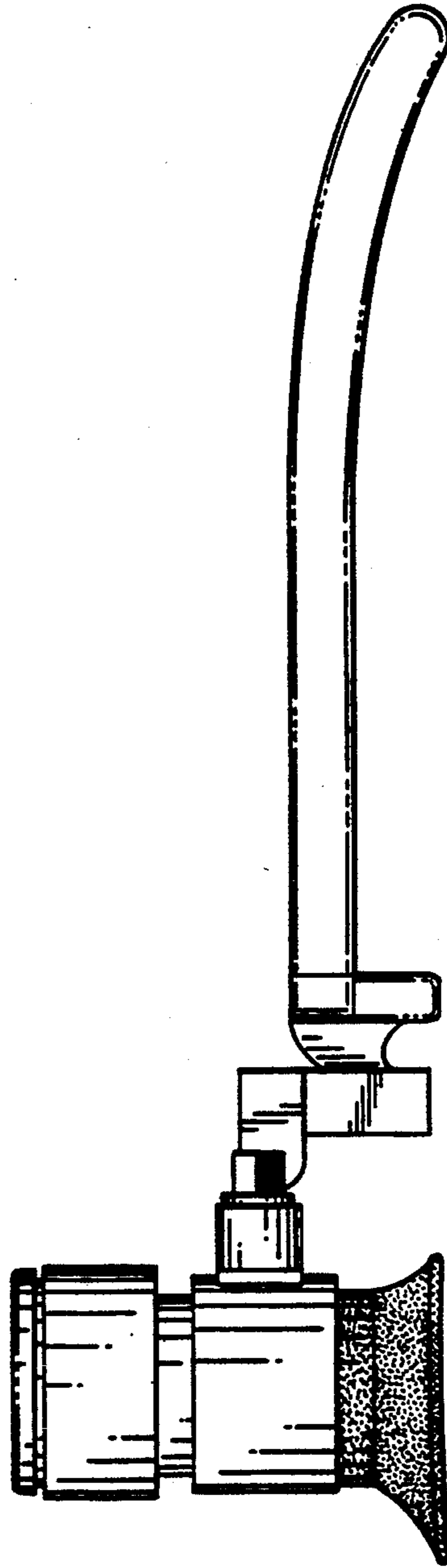


FIG. 7