



US00D333827S

United States Patent [19]

[11] Patent Number: **Des. 333,827**

Tell

[45] Date of Patent: **** Mar. 9, 1993**

[54] **COMPACT EJECTOR UNIT**

[76] Inventor: **Peter Tell, Breviksvägen 27, S-184 00 Åkersberga, Sweden**

[**] Term: **14 Years**

[21] Appl. No.: **779,853**

[22] Filed: **Oct. 21, 1991**

Related U.S. Application Data

[62] Division of Ser. No. 280,537, Dec. 6, 1988.

[30] **Foreign Application Priority Data**

Jun. 8, 1988 [SE] Sweden 88-1421

[52] U.S. Cl. **D15/199**

[58] Field of Search **D15/199; 417/54, 161, 417/169, 174, 189, 192, 191**

[56] **References Cited**

U.S. PATENT DOCUMENTS

3,352,348	11/1967	Daviau	417/174
4,395,202	7/1983	Tell	417/169
4,425,084	1/1984	Tell	417/161
4,565,499	1/1986	Greenberg	417/174

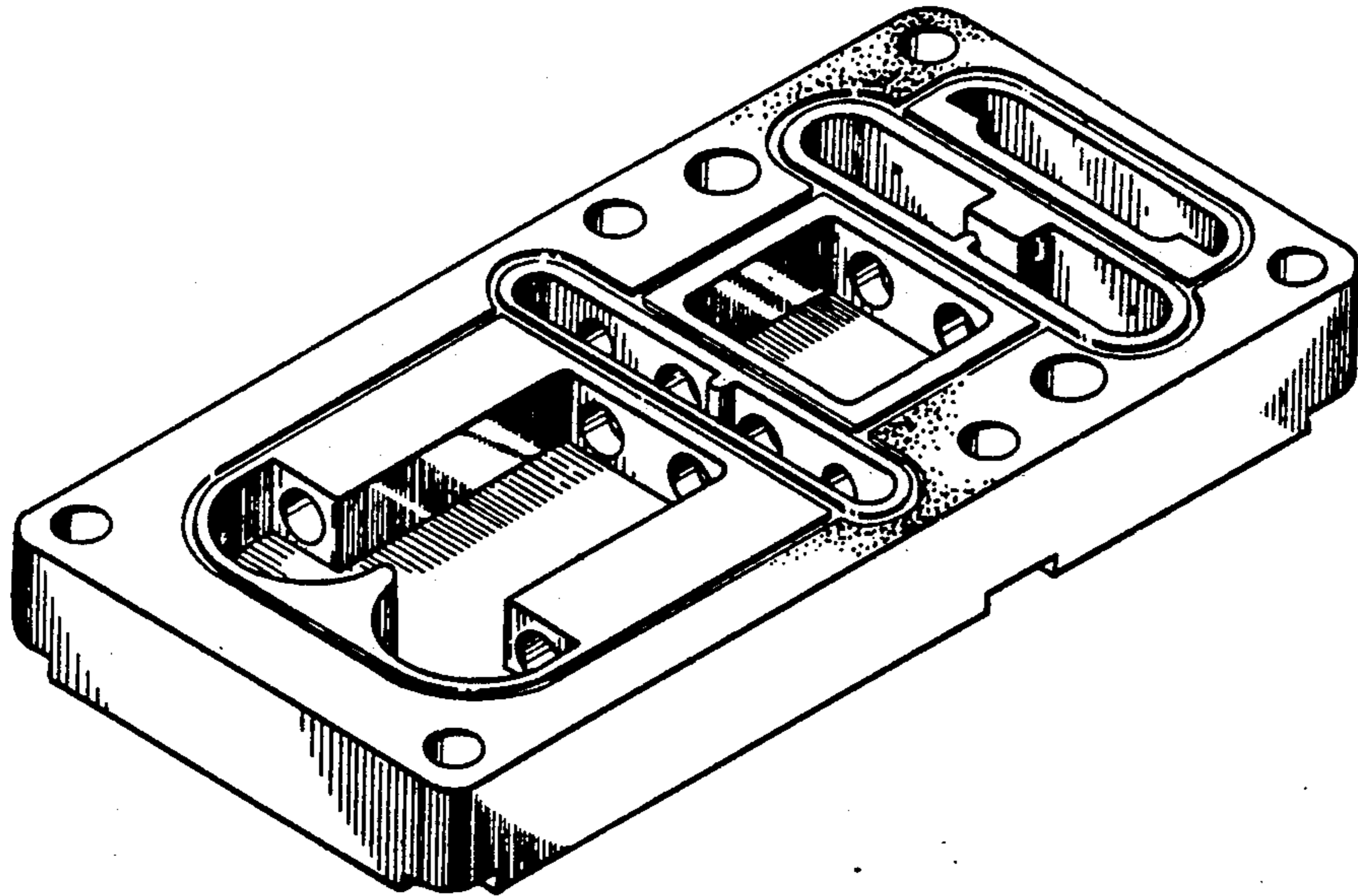
Primary Examiner—Donald P. Walsh
Assistant Examiner—Antoine D. Davis
Attorney, Agent, or Firm—Young & Thompson

[57] **CLAIM**

The ornamental design for a compact ejector unit, as shown.

DESCRIPTION

FIG. 1 is a top, front and right side perspective view of a compact ejector unit showing my new design; and, FIG. 2 is a bottom, rear and left side perspective view thereof.



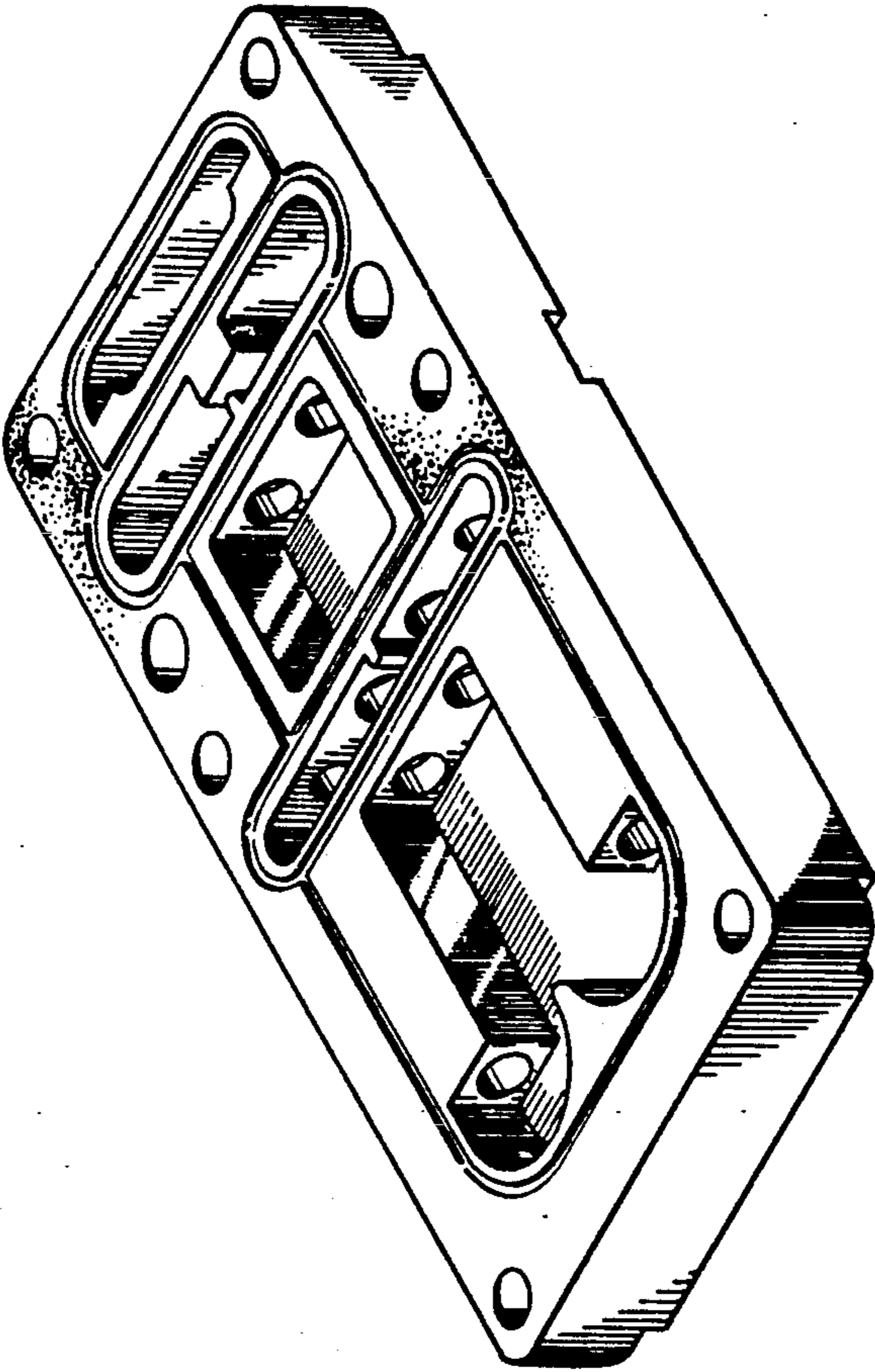


Fig. 1

Fig. 2

