



US00D333826S

# United States Patent [19]

[11] Patent Number: Des. 333,826

Giangrasso

[45] Date of Patent: \*\* Mar. 9, 1993

[54] MACHINISTS V-BLOCK

[76] Inventor: Joseph A. Giangrasso, 11221 Elvessa St., Oakland, Calif. 94605

[\*\*] Term: 14 Years

[21] Appl. No.: 728,948

[22] Filed: Jul. 11, 1991

[52] U.S. Cl. .... D15/145

[58] Field of Search ..... D15/145, 199; 51/216 R, 51/217 R; 269/253

[56] **References Cited**

**U.S. PATENT DOCUMENTS**

3,423,885 1/1969 Crandall ..... 51/217 R  
4,128,929 12/1978 DeMuis ..... 51/217 R X

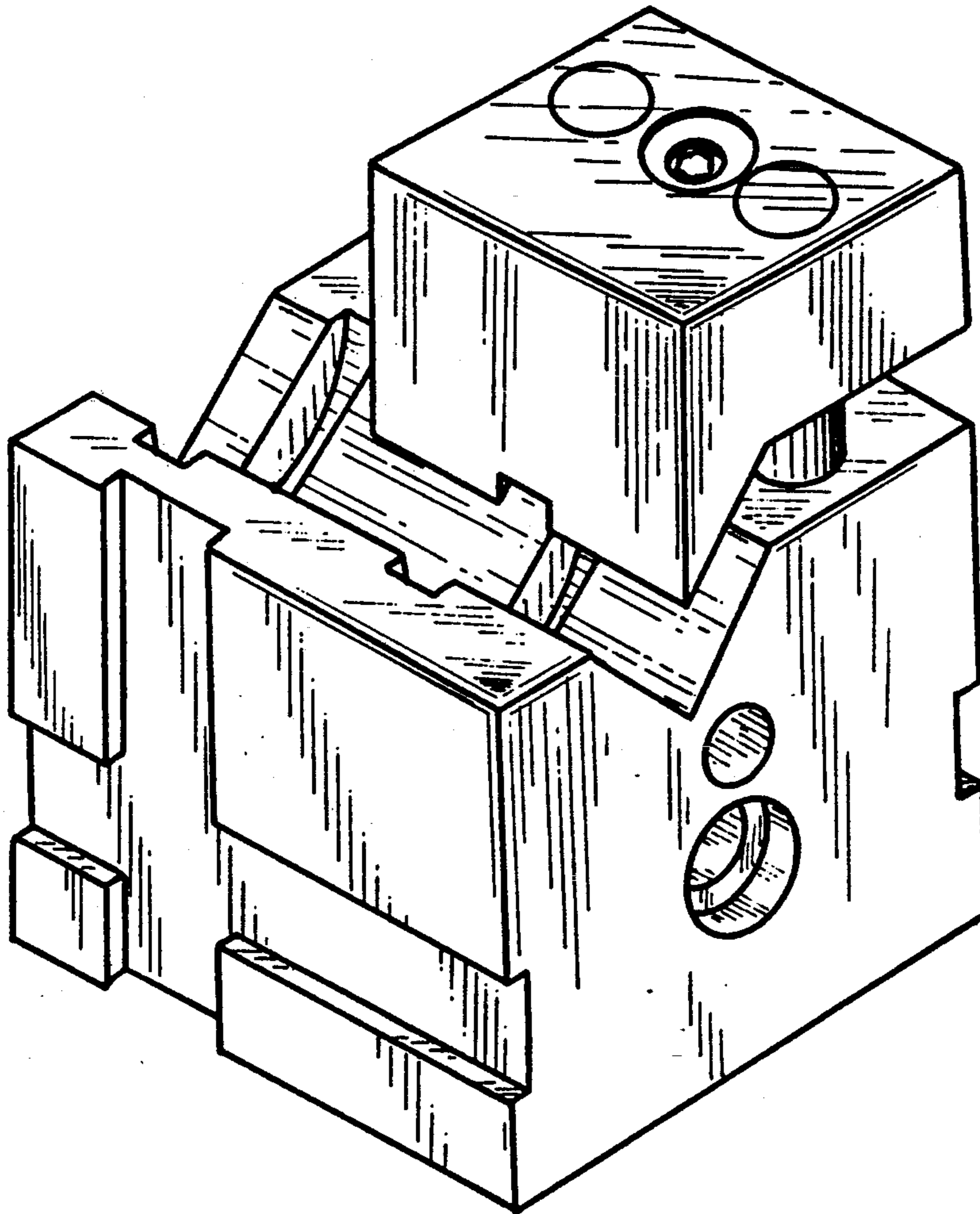
*Primary Examiner*—Alan P. Douglas  
*Assistant Examiner*—Antoine D. Davis  
*Attorney, Agent, or Firm*—Linval B. Castle

[57] **CLAIM**

The ornamental design for a machinists V-block, as shown and described.

**DESCRIPTION**

FIG. 1 is a perspective view of a machinists V-block showing my new design; FIG. 2 is a right side elevational view thereof, the left side elevational view being a mirror image; FIG. 3 is a front elevational view thereof; FIG. 4 is a rear elevational view thereof; FIG. 5 is a top plan view thereof; and, FIG. 6 is a bottom view thereof.



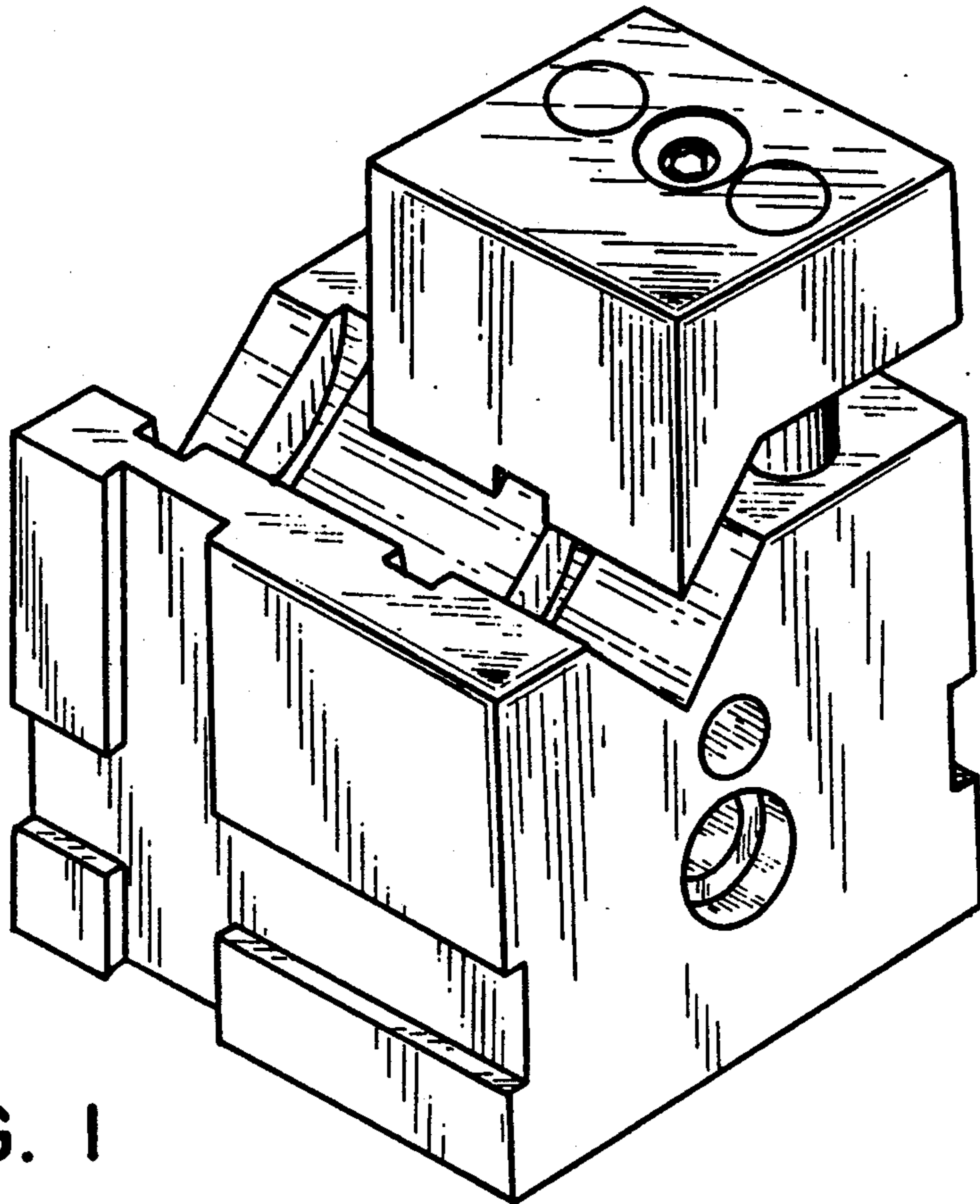


FIG. 1

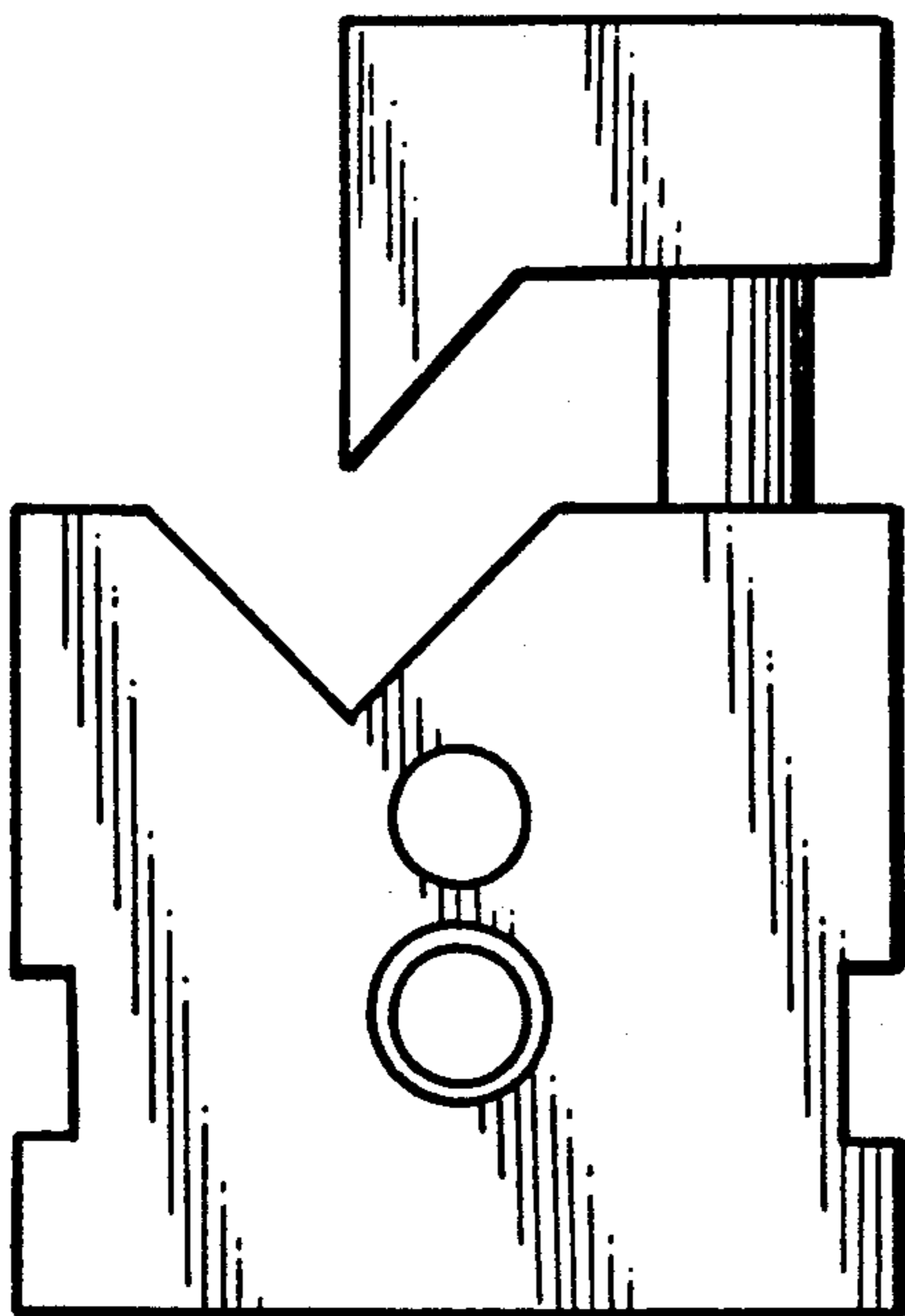


FIG. 2

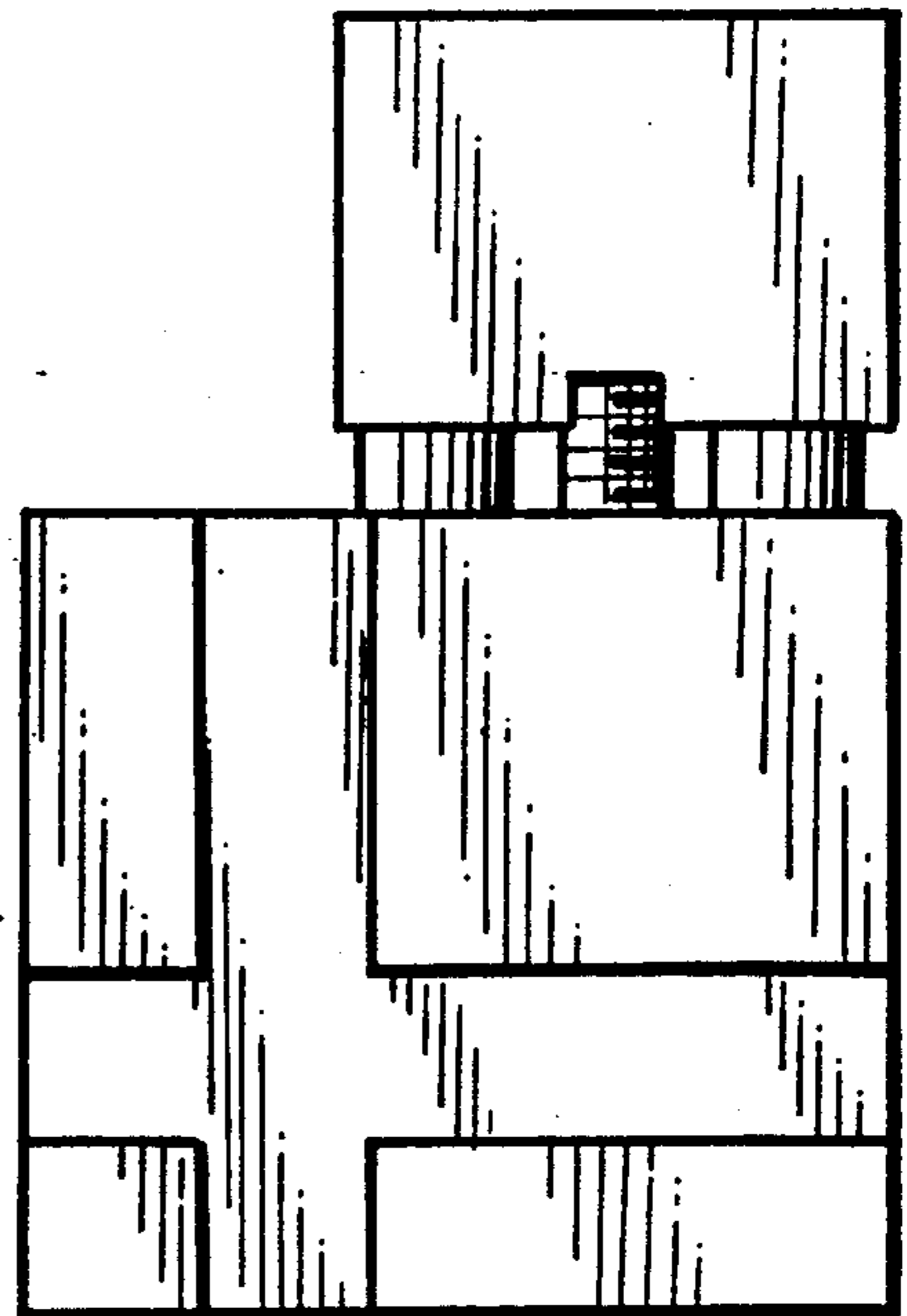


FIG. 3

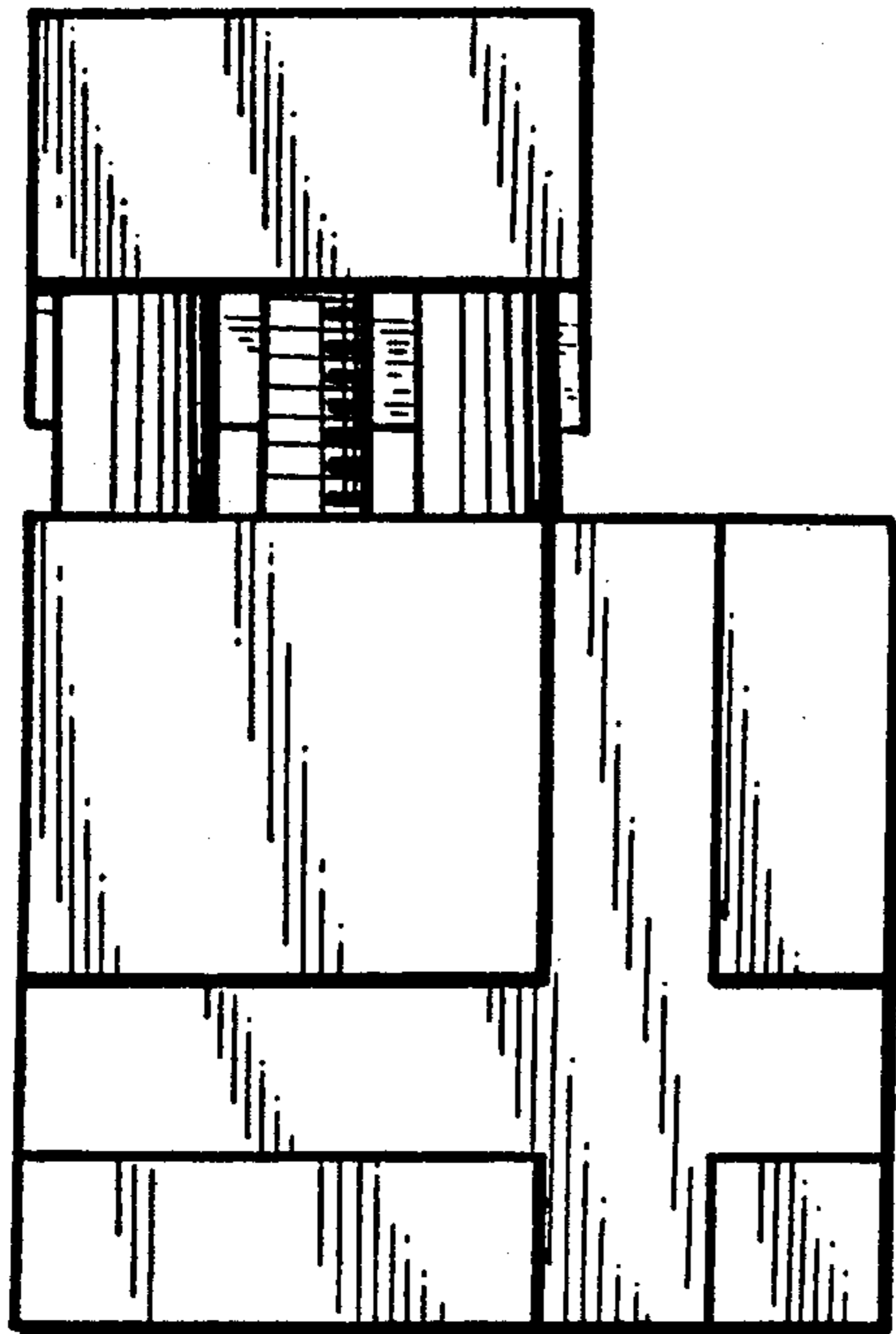


FIG. 4

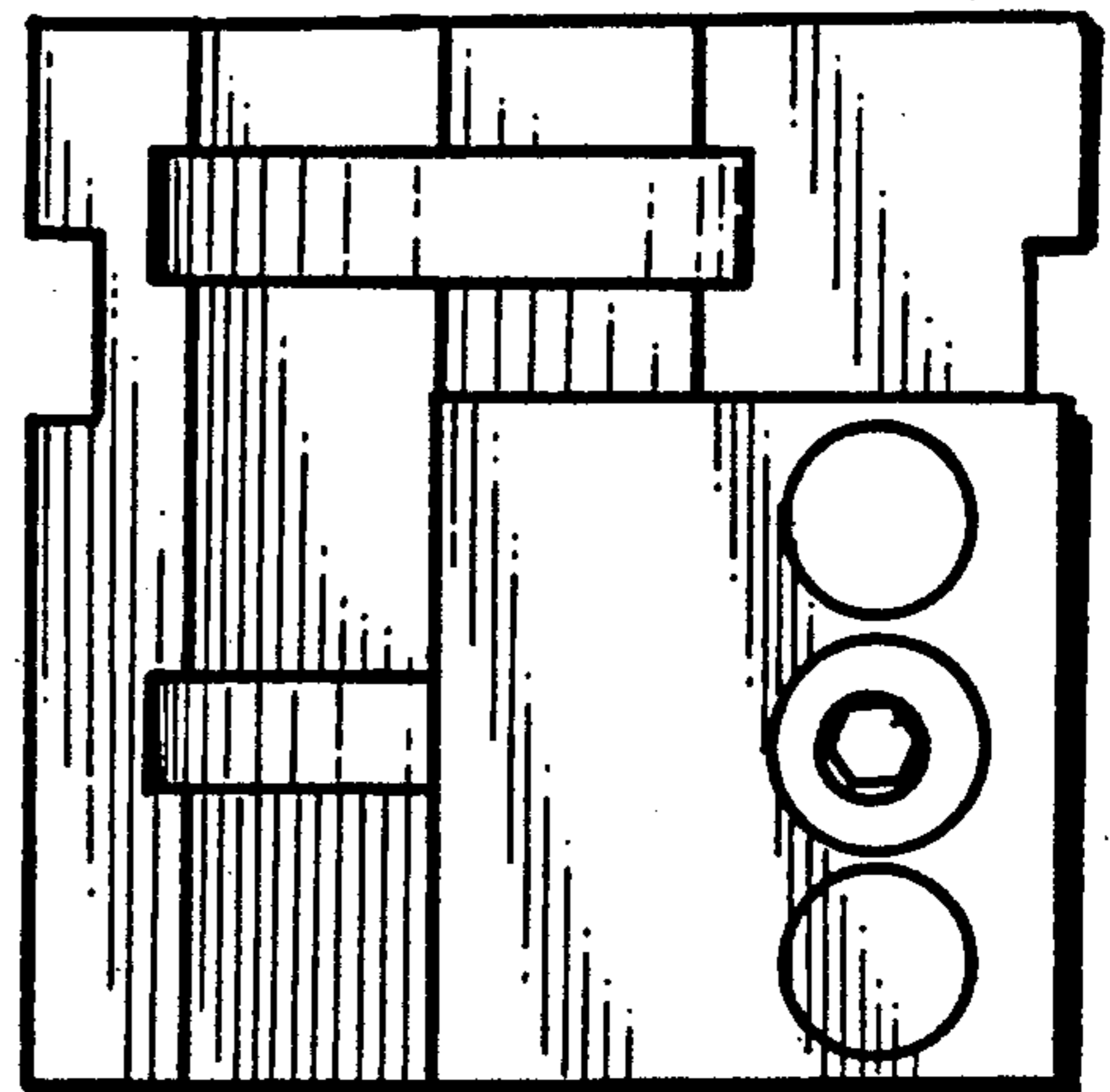


FIG. 5

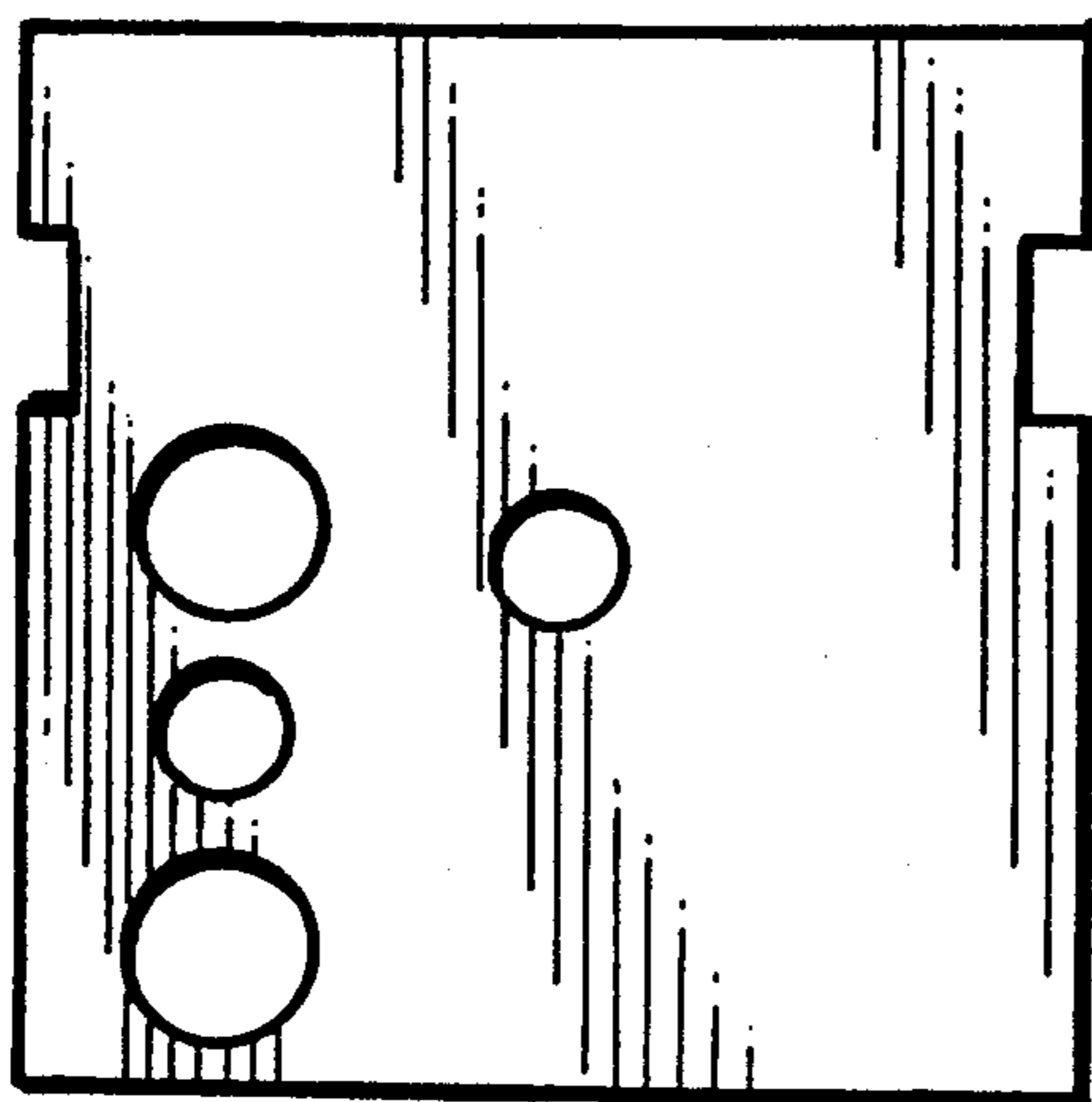


FIG. 6