



US00D333825S

# United States Patent [19]

[11] Patent Number: **Des. 333,825**

Price

[45] Date of Patent: **\*\* Mar. 9, 1993**

[54] **HANDLE**

[75] Inventor: **Scott D. Price, Pylesville, Md.**

[73] Assignee: **Black & Decker Inc., Newark, Del.**

[\*\*] Term: **14 Years**

[21] Appl. No.: **372,784**

[22] Filed: **Jun. 27, 1989**

[52] U.S. Cl. .... **D15/142; D15/133**

[58] Field of Search ..... **D15/133, 142; 30/514, 30/517, 518, 520, 521, 522, 523, 524, 525, 166.3**

### [56] References Cited

#### U.S. PATENT DOCUMENTS

3,298,407	1/1967	Scott	.....	D15/133	X
3,821,918	7/1974	Niehaus et al.	.....	D15/133	X
4,466,471	8/1984	Thomson	.....	30/517	

#### OTHER PUBLICATIONS

- Makita Portable Cut-Off Instruction Manual, 1985.
- Black & Decker Heavy Duty Chop Saw Manual, May 1986.
- Goldstar Chop Saw Handle (Photos—Exhibit A).

*Primary Examiner*—Bruce W. Dunkins  
*Assistant Examiner*—Antoine D. Davis  
*Attorney, Agent, or Firm*—Dennis A. Dearing; John D. Del Ponti; Charles E. Yocum

### [57] CLAIM

The ornamental design for a handle or similar article, as shown and described.

### DESCRIPTION

FIG. 1 is a left side elevational view of a handle showing my new design thereof, the broken line showing of a saw is environmental only and forms no part of the claimed design;

FIG. 2 is a top, rear and left side perspective view;

FIG. 3 is a right side elevational view;

FIG. 4 is a left side elevational view;

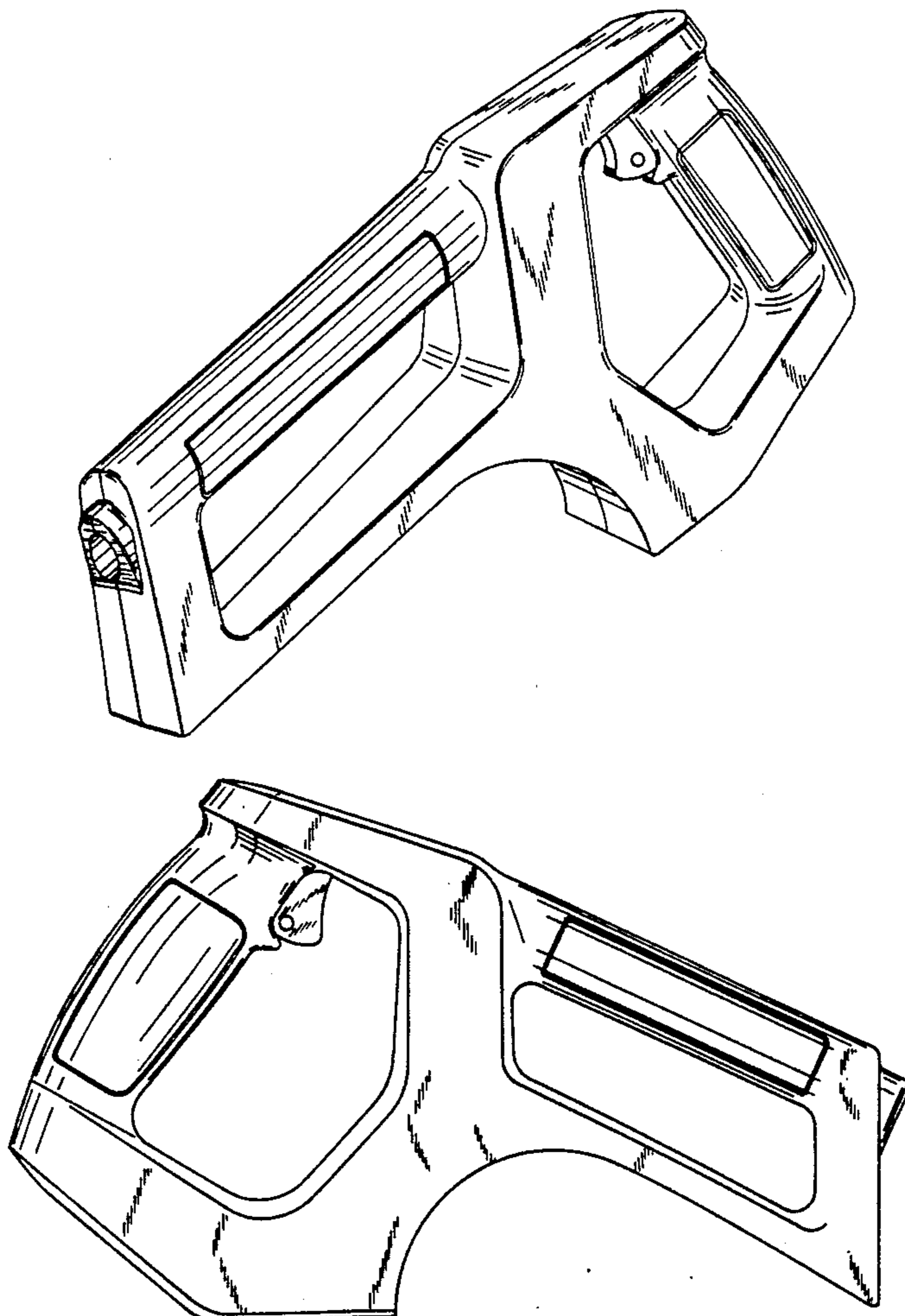
FIG. 5 is a top plan view;

FIG. 6 is a bottom plan view;

FIG. 7 is a rear elevational view; and,

FIG. 8 is a front elevational view thereof.

FIG. 1 has been drawn on a reduced scale with respect to FIGS. 2-8 while FIG. 2 has been drawn on an enlarged scale with respect to FIGS. 1 and 3-8.



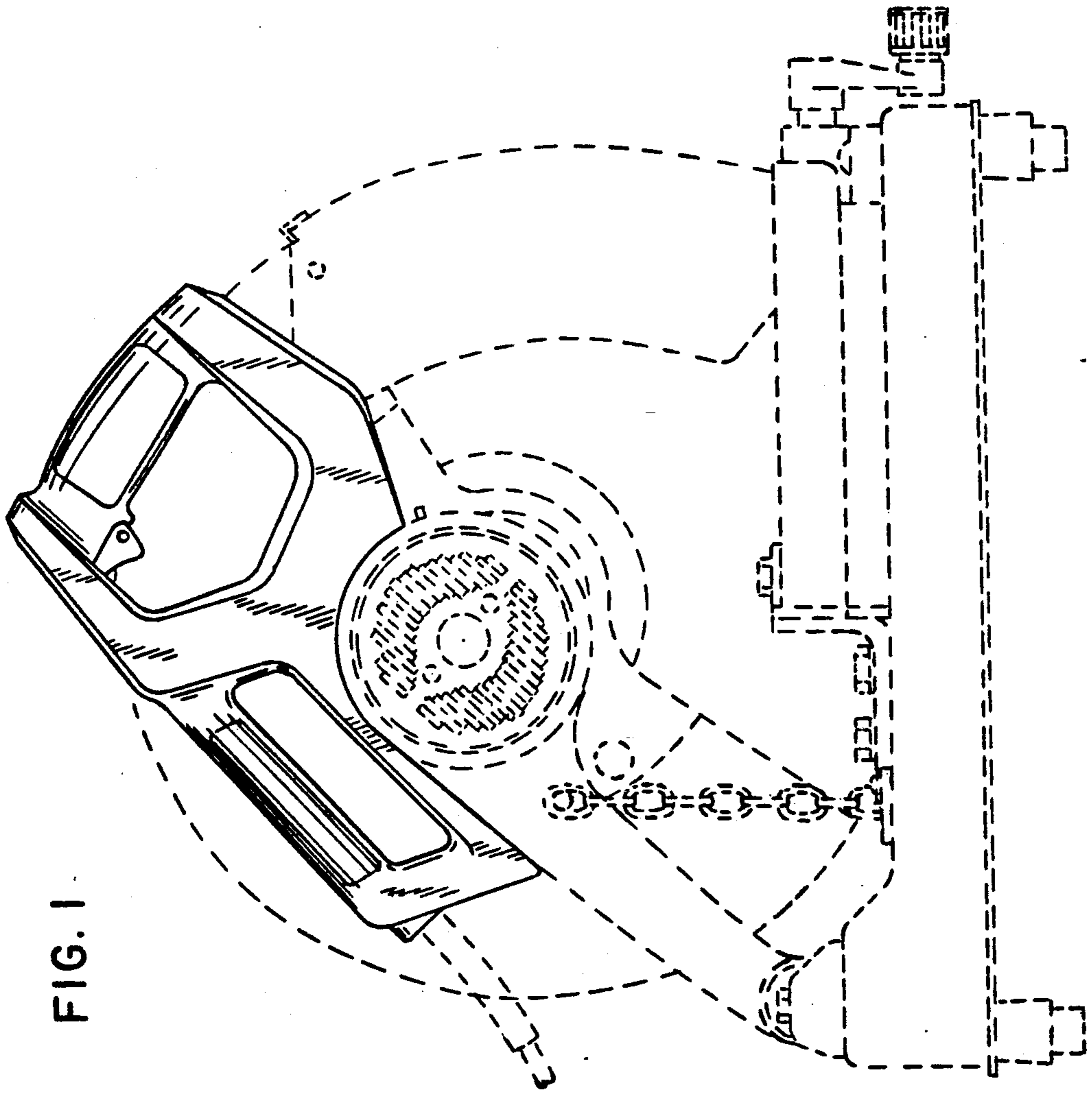


FIG. 1

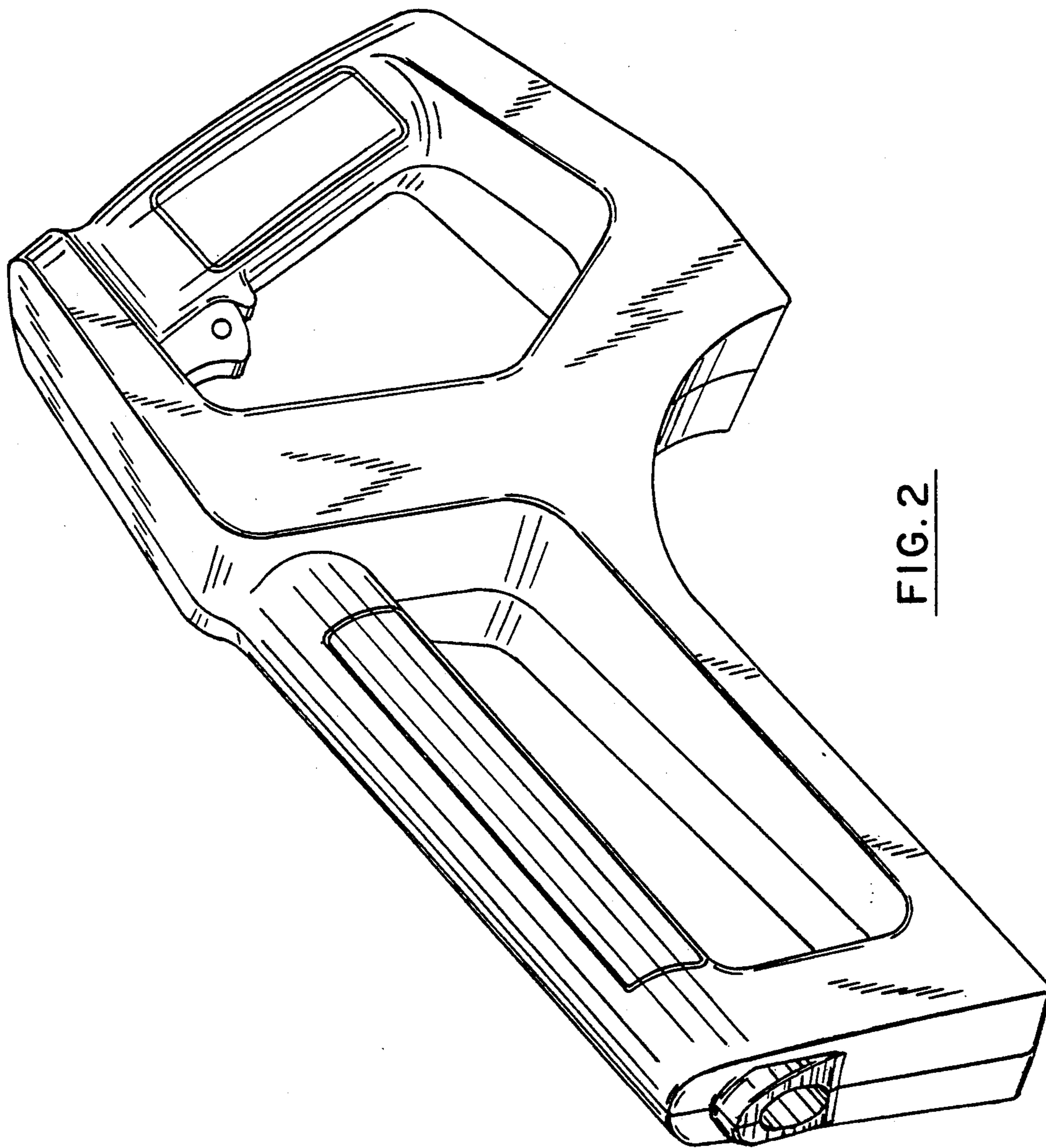


FIG. 2

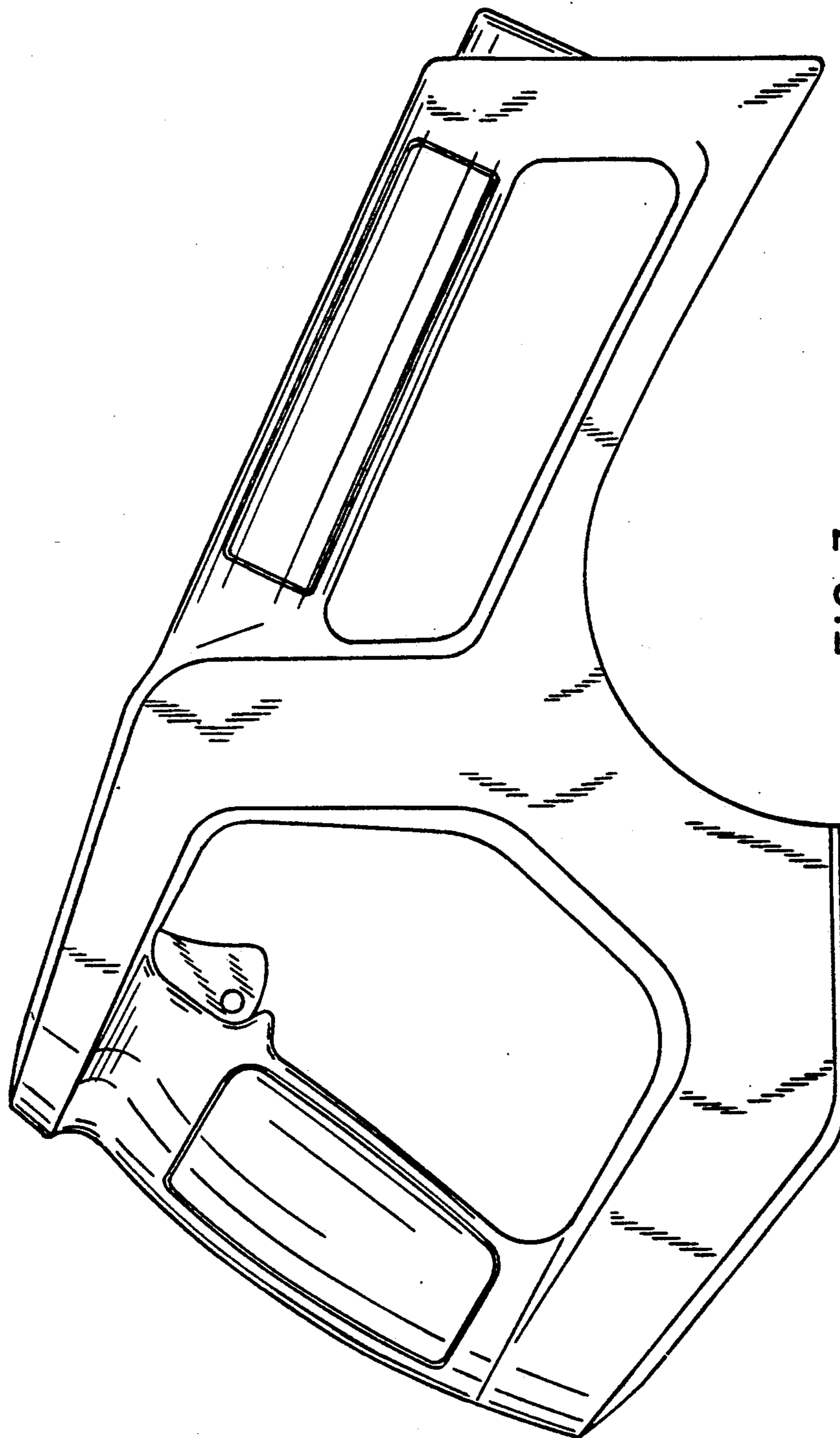


FIG. 3

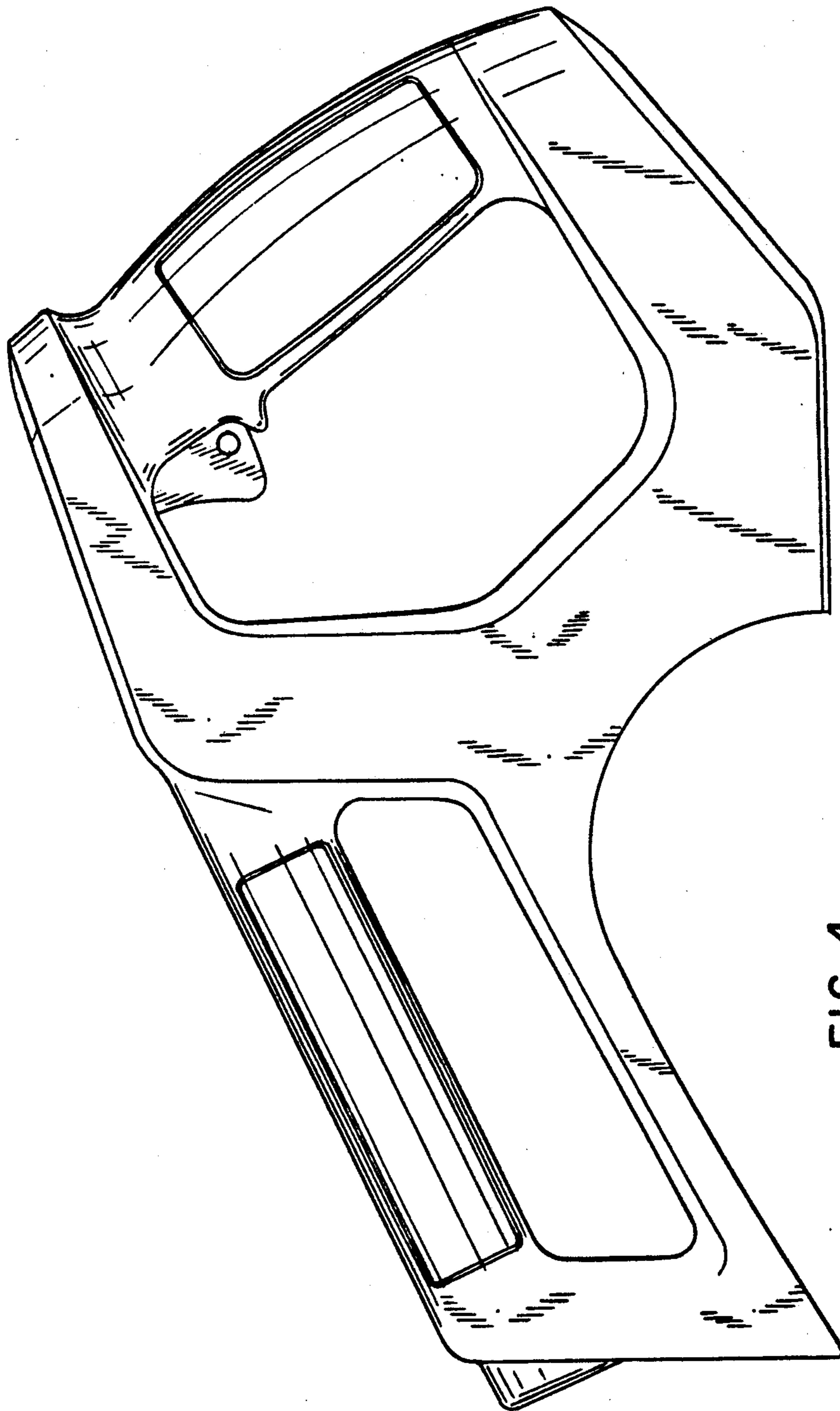


FIG. 4

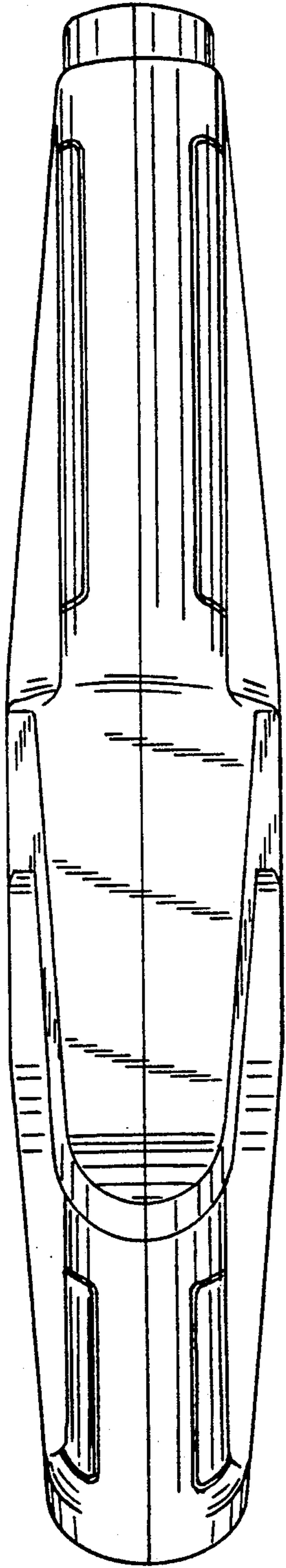


FIG. 5

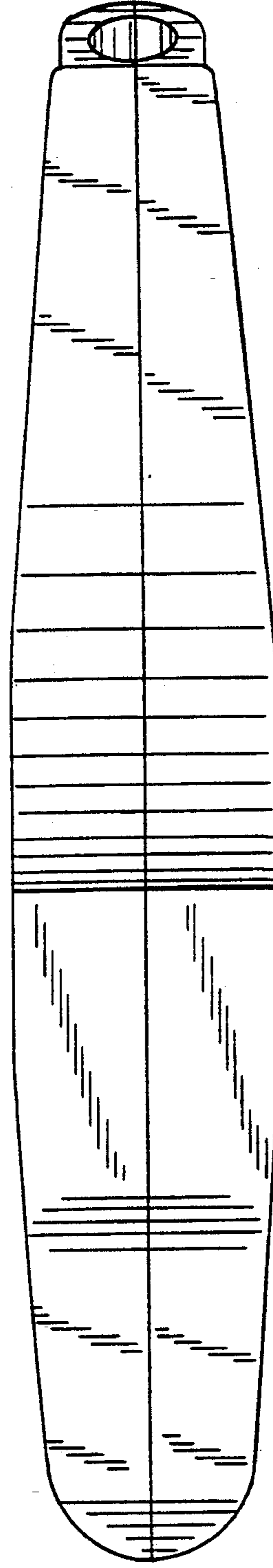


FIG. 6

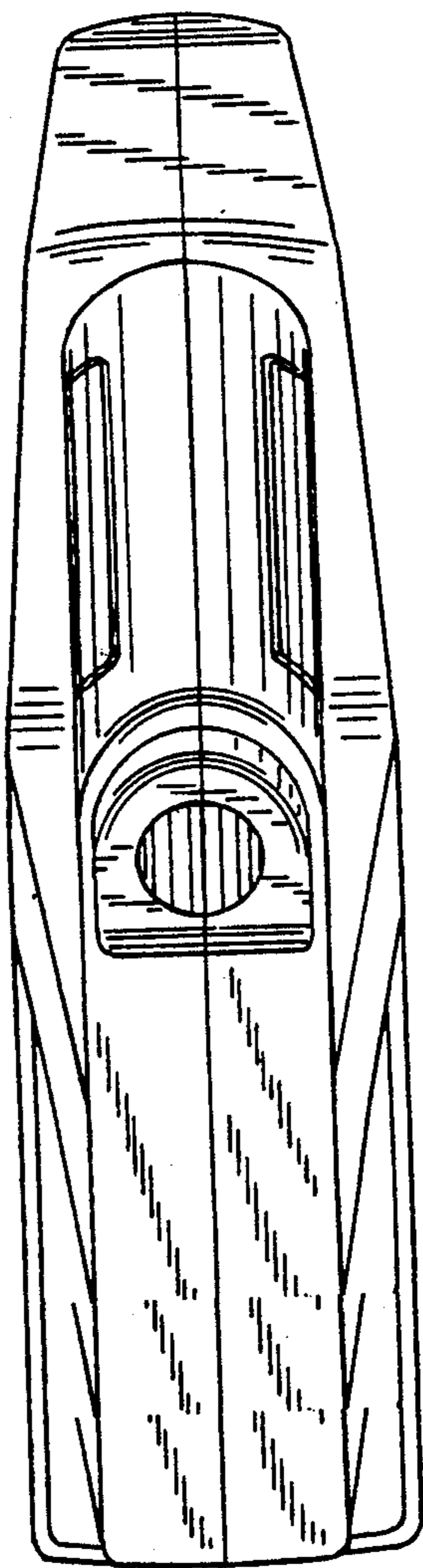


FIG. 7

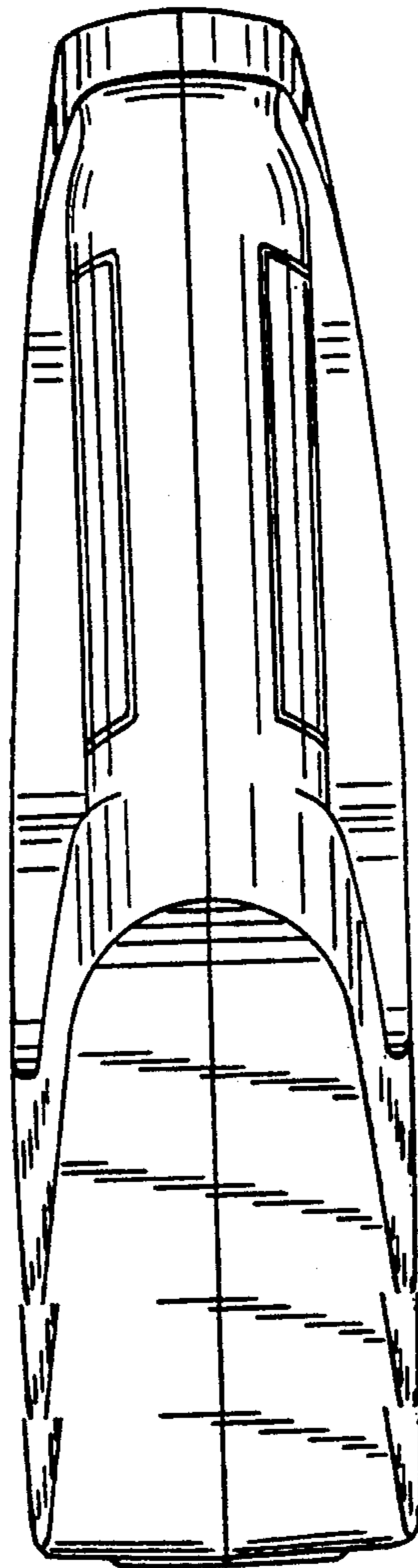


FIG. 8