



US00D333824S

United States Patent [19]

Suzuki et al.

[11] Patent Number: **Des. 333,824**

[45] Date of Patent: **** Mar. 9, 1993**

[54] **MITER SAW**

4,265,154 5/1981 Batson 83/471.2 X
5,042,348 8/1991 Brundage et al. 83/471.3

[75] Inventors: **Yasuo Suzuki, Nishio; Ginichi Hirota, Nagoya, both of Japan**

[73] Assignee: **Makita Electric Works, Ltd., Anjo, Japan**

[**] Term: **14 Years**

[21] Appl. No.: **647,010**

[22] Filed: **Jan. 29, 1991**

[30] **Foreign Application Priority Data**

Aug. 3, 1990 [JP] Japan 2-26440

[52] U.S. Cl. **D15/133**

[58] Field of Search **D15/125, 133; D8/66, D8/71; 83/471.2, 471.3, 477, 581**

[56] **References Cited**

U.S. PATENT DOCUMENTS

D. 295,823 5/1988 Brickner, Jr. et al. D15/133
D. 305,542 1/1990 Miyamoto et al. D15/133
D. 326,668 6/1992 Archart et al. D15/133

OTHER PUBLICATIONS

Makita Products Brochure, Miter Saw Model LS0810, Printed in Japan Z13288-2 1987-4-2000E.

Makita Products Brochure, Miter Saw, Model LS0800, Printed in Japan IK2-LS0800 1985-12 3000DE.

Primary Examiner—Alan P. Douglas

Assistant Examiner—Antoine D. Davis

Attorney, Agent, or Firm—Lahive & Cockfield

[57] **CLAIM**

The ornamental design for a miter saw, as shown.

DESCRIPTION

FIG. 1 is a top, front and left side perspective view of a miter saw showing our new design;
FIG. 2 is a front elevational view thereof;
FIG. 3 is a rear elevational view thereof;
FIG. 4 is a left side elevational view thereof;
FIG. 5 is a right side elevational view thereof;
FIG. 6 is a top plan view thereof; and,
FIG. 7 is a bottom plan view thereof.

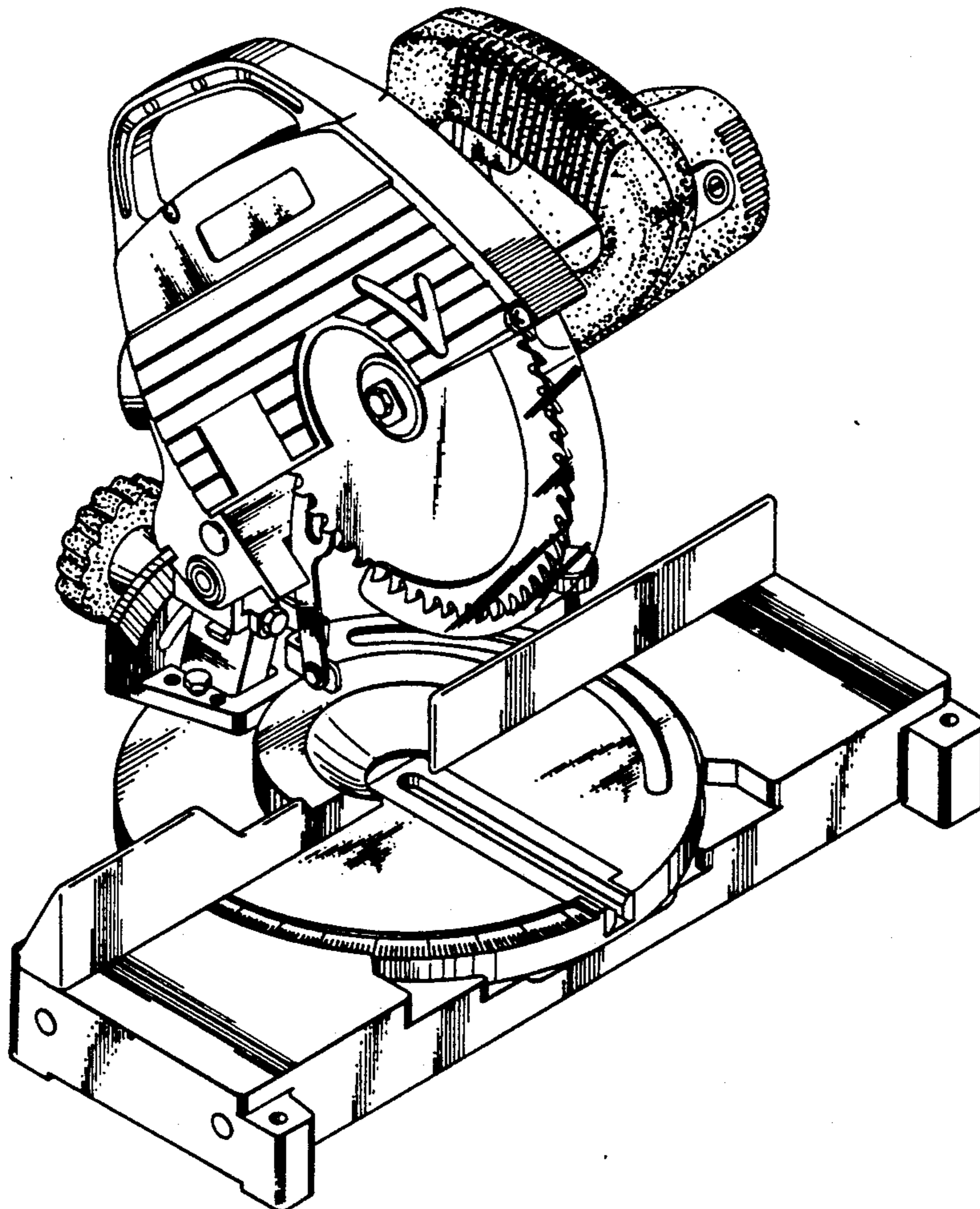


FIG. 1

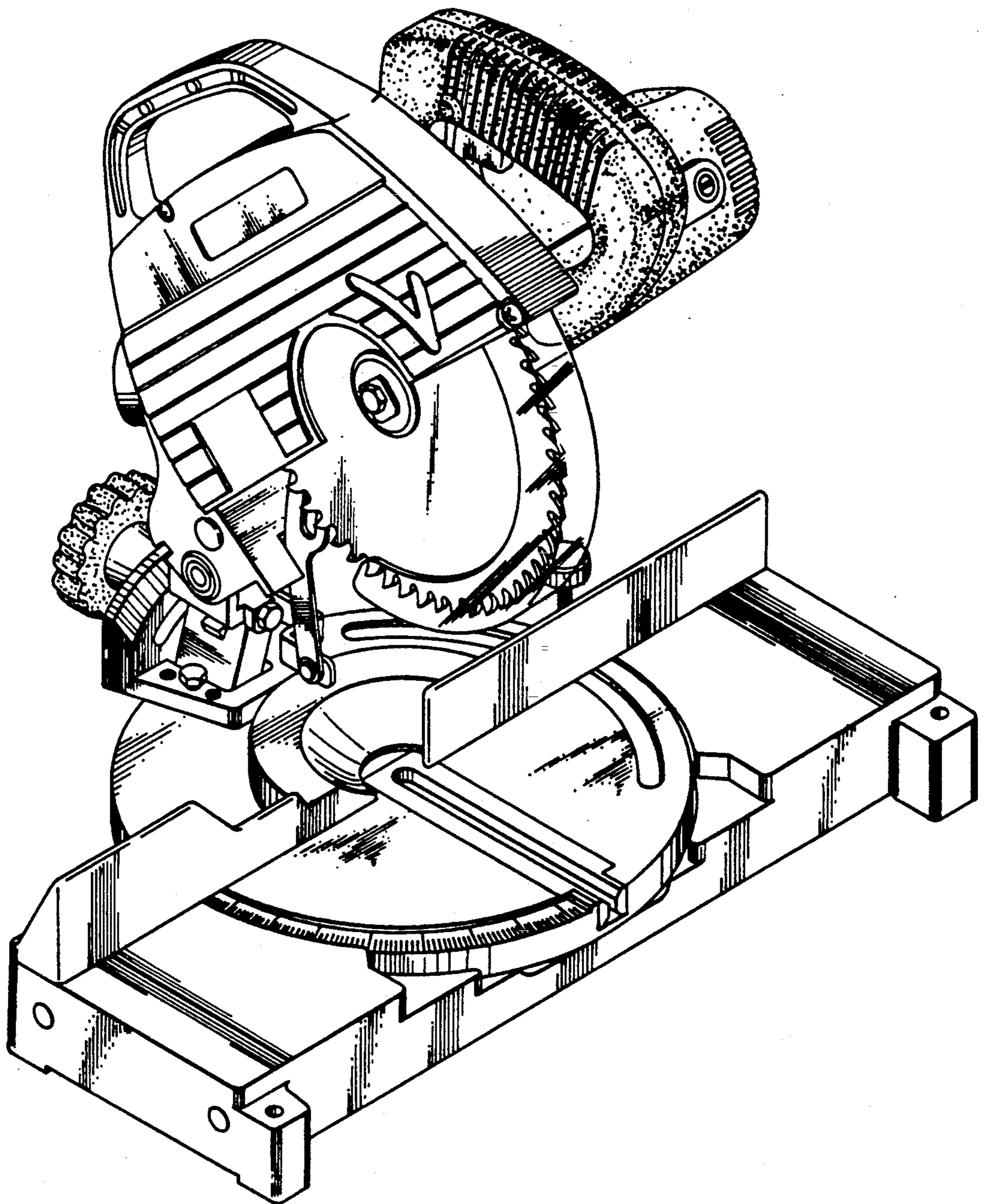


FIG. 2

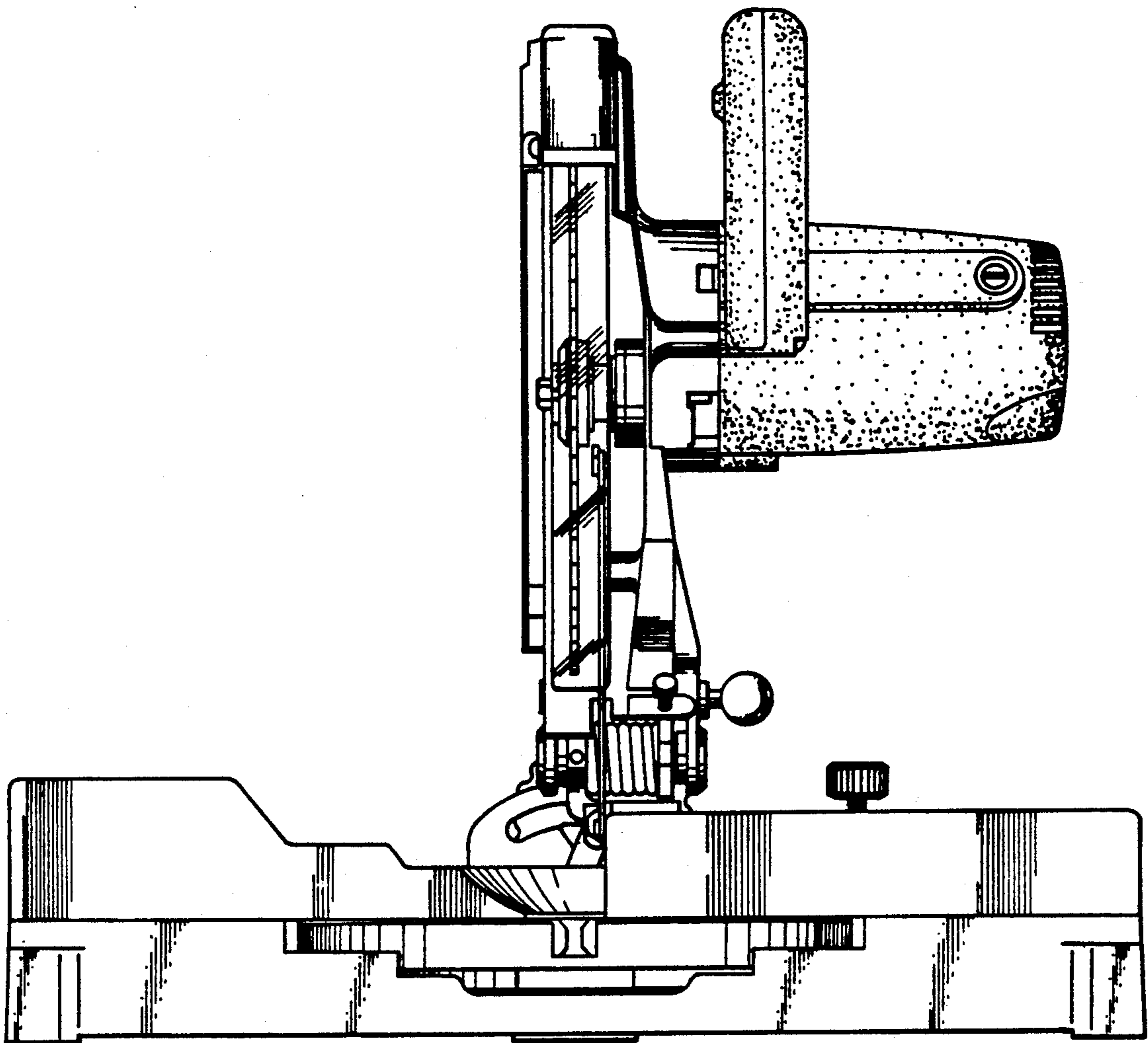


FIG. 3

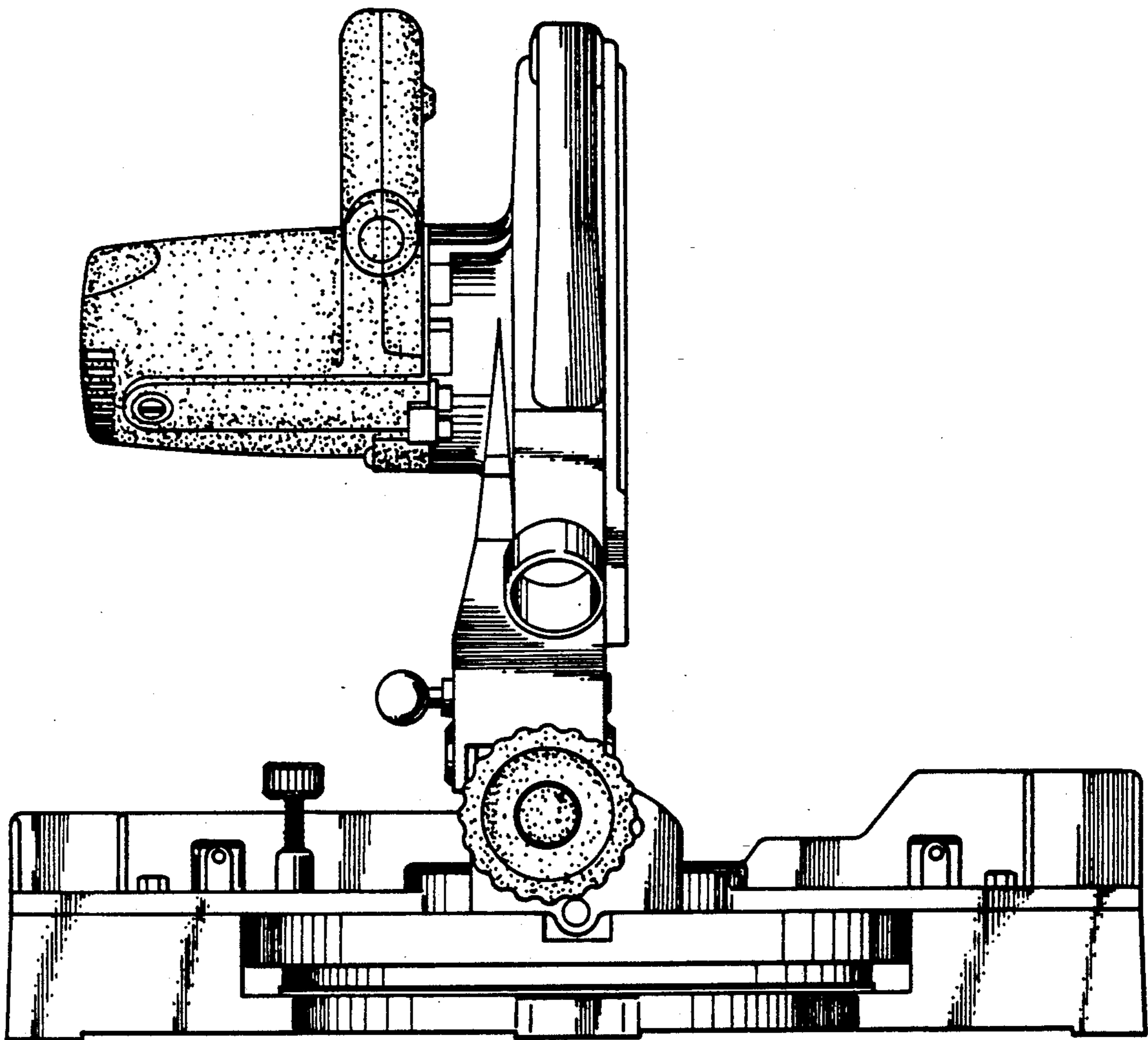


FIG. 4

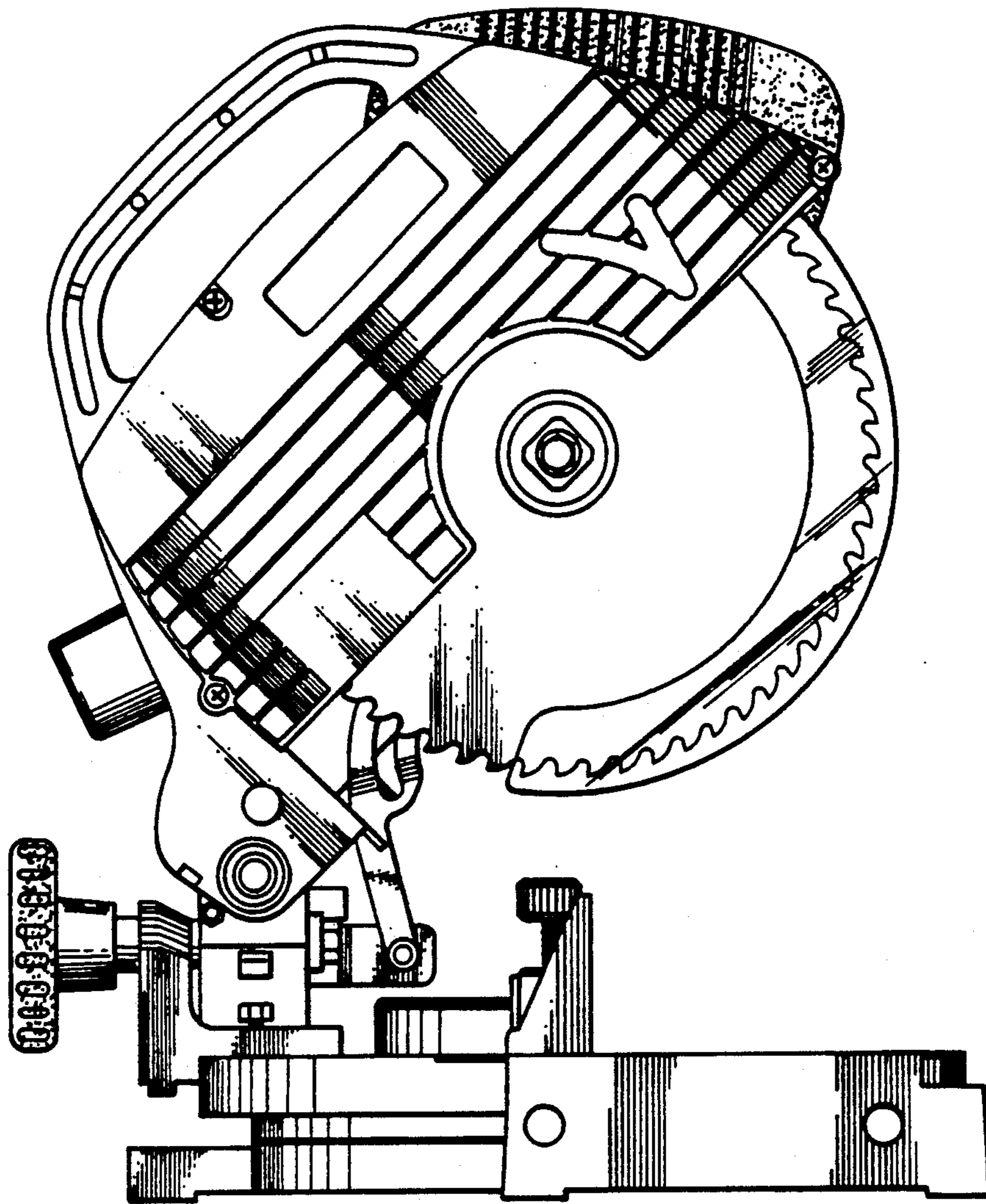


FIG. 5

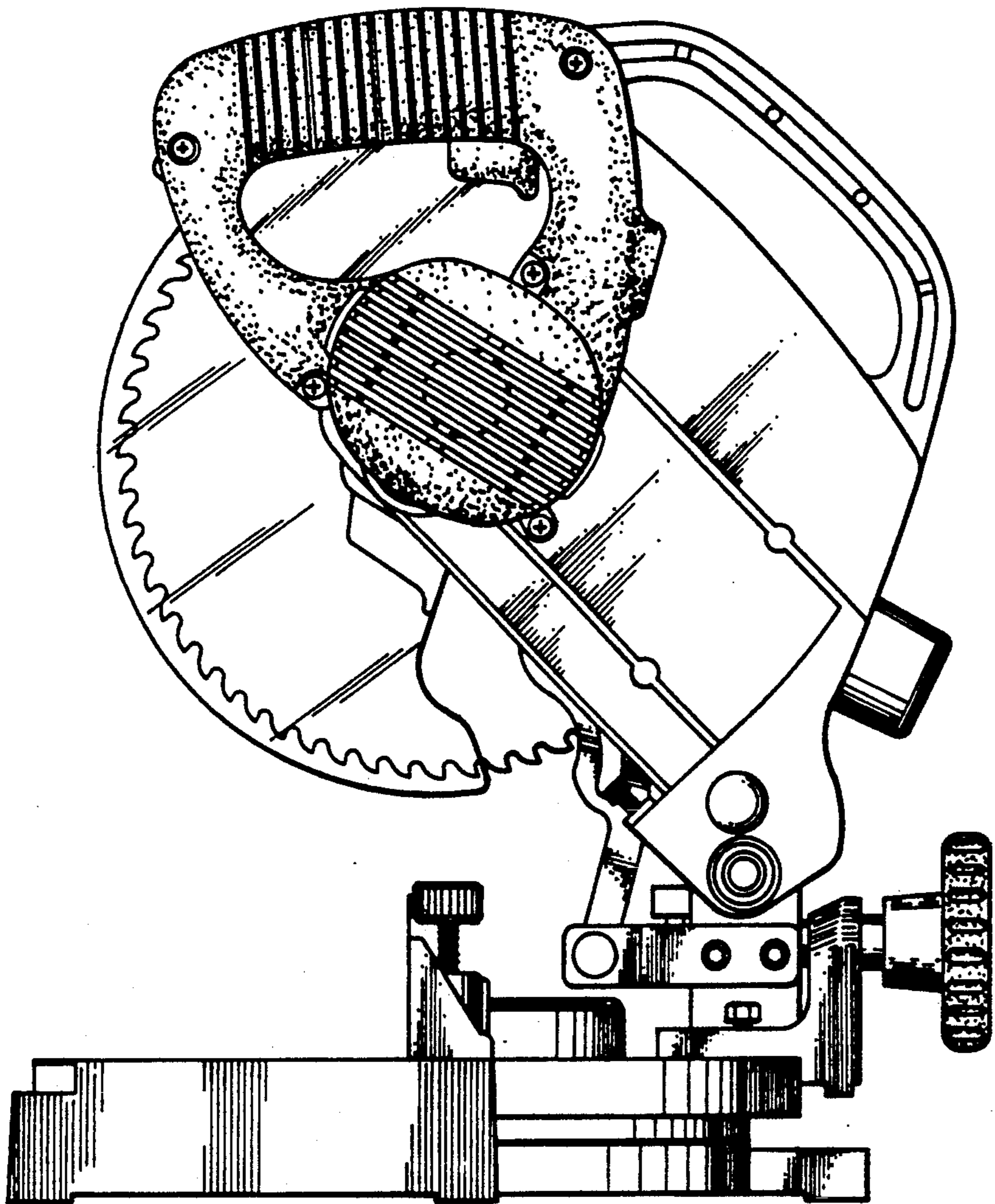


FIG. 6

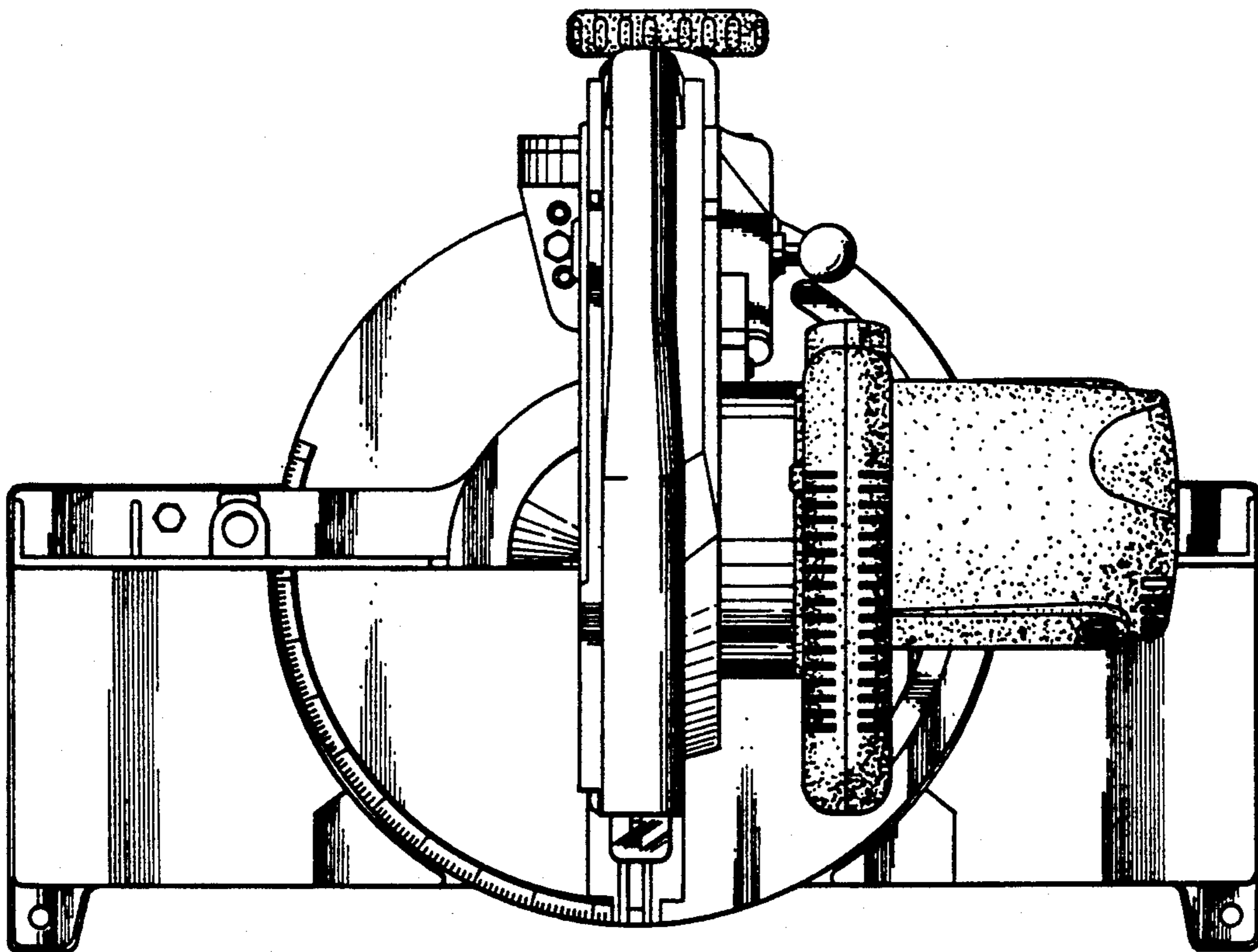


FIG. 7

