



US00D333816S

United States Patent [19] Smiley

[11] Patent Number: **Des. 333,816**
[45] Date of Patent: **** Mar. 9, 1993**

[54] **WORD PROCESSOR**

[75] Inventor: **Gregory W. Smiley, Cortland, N.Y.**

[73] Assignee: **Smith Corona Corporation, Cortland, N.Y.**

[**] Term: **14 Years**

[21] Appl. No.: **679,860**

[22] Filed: **Apr. 3, 1991**

[52] U.S. Cl. **D14/106**

[58] Field of Search **D14/100, 101, 106, 113, D14/115; D18/1, 7, 11, 12; 235/145 A, 145 R; 340/700, 706; 341/22, 23; 361/390, 394; 364/708, 709.04**

D. 319,222	8/1991	Mizusugi et al.	D14/106
D. 319,636	9/1991	Lampe	D14/106
D. 326,846	6/1992	Lerude	D14/106
D. 327,475	6/1992	Nezu	D14/106
4,669,053	5/1987	Krenz	364/708

Primary Examiner—Wallace R. Burke
Assistant Examiner—Freda S. Nunn

[57] **CLAIM**

The ornamental design for a word processor, as shown and described.

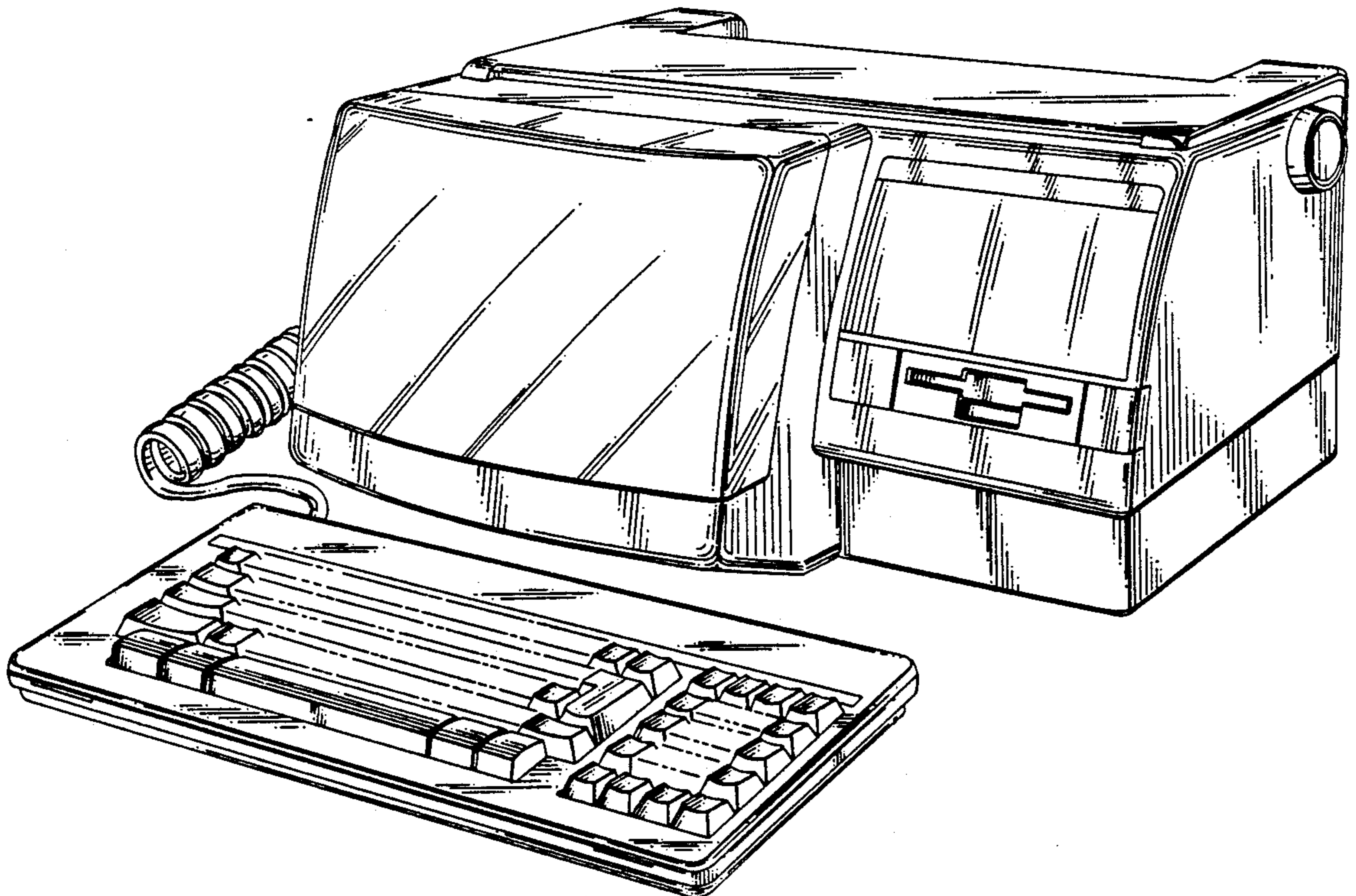
DESCRIPTION

FIG. 1 is a top front right side perspective view of a word processor showing my new design; FIG. 2 is a top plan view thereof; FIG. 3 is a bottom plan view thereof; FIG. 4 is a front elevational view thereof; FIG. 5 is a rear elevational view thereof; FIG. 6 is a left side elevational view thereof; and, FIG. 7 is a right side elevational view thereof. FIGS. 2 and 3 are drawn on a slightly reduced scale and the keys are partially shown in the figures for ease of illustration and they are understood to continue uniformly across each of the indicated surfaces.

[56] **References Cited**

U.S. PATENT DOCUMENTS

D. 284,671	7/1986	Mendel	D18/1
D. 293,109	12/1987	George et al.	D14/100
D. 293,110	12/1987	George et al.	D14/100
D. 293,112	12/1987	George et al.	D14/106
D. 294,712	3/1988	Copland	D18/13
D. 302,974	8/1989	Shim	D14/106
D. 306,156	2/1990	Myers et al.	D14/106



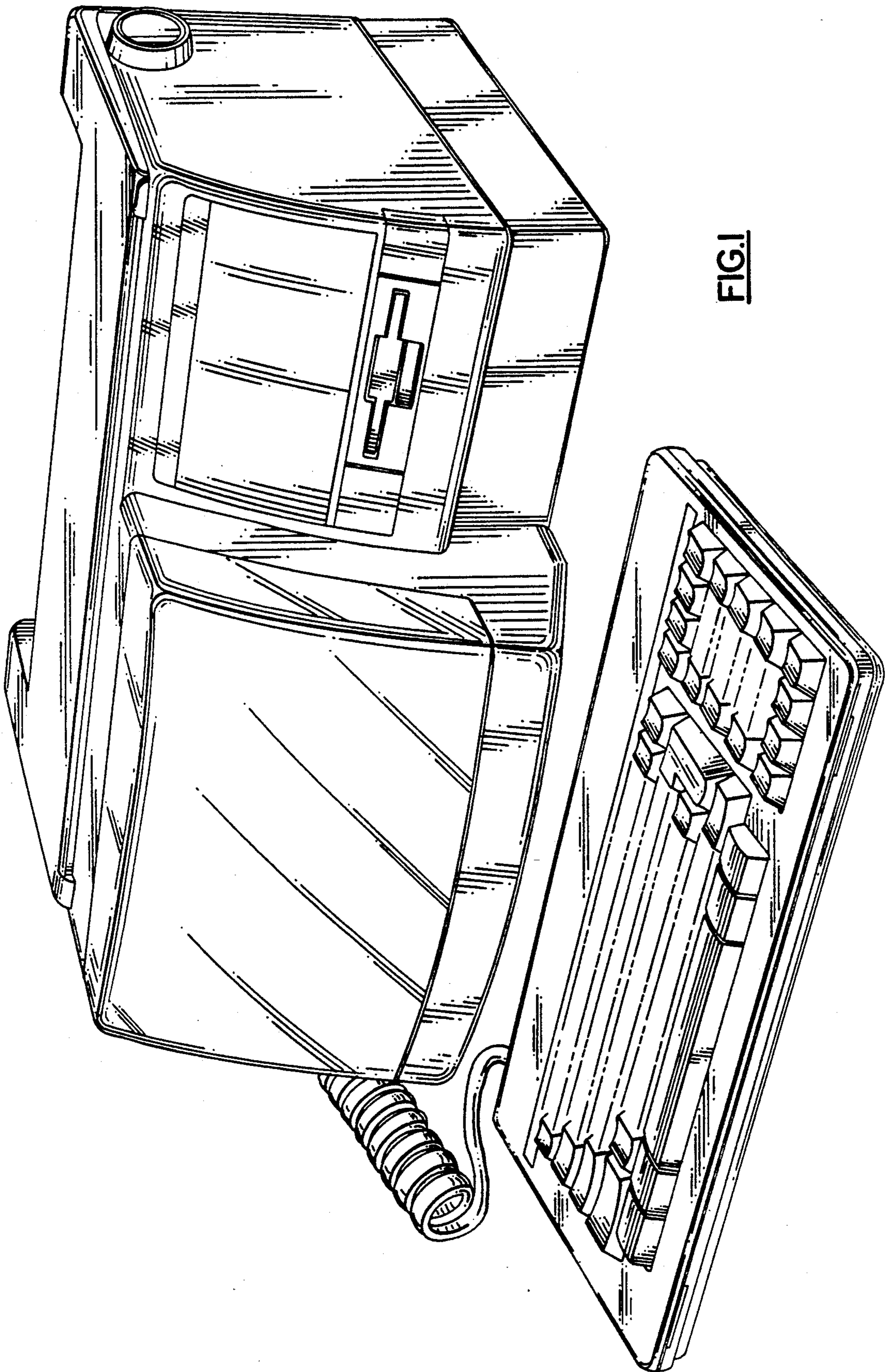


FIG. 1

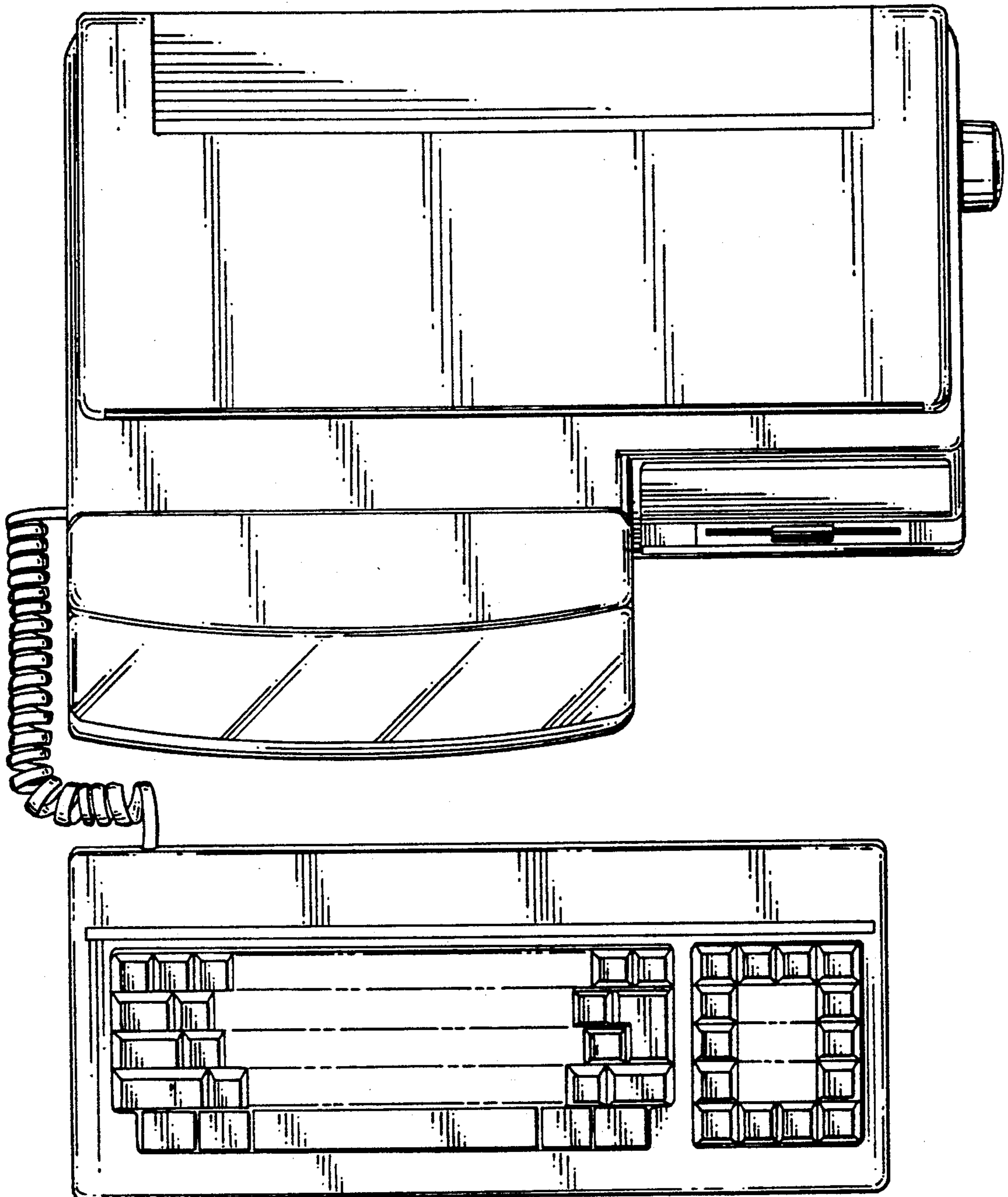


FIG.2

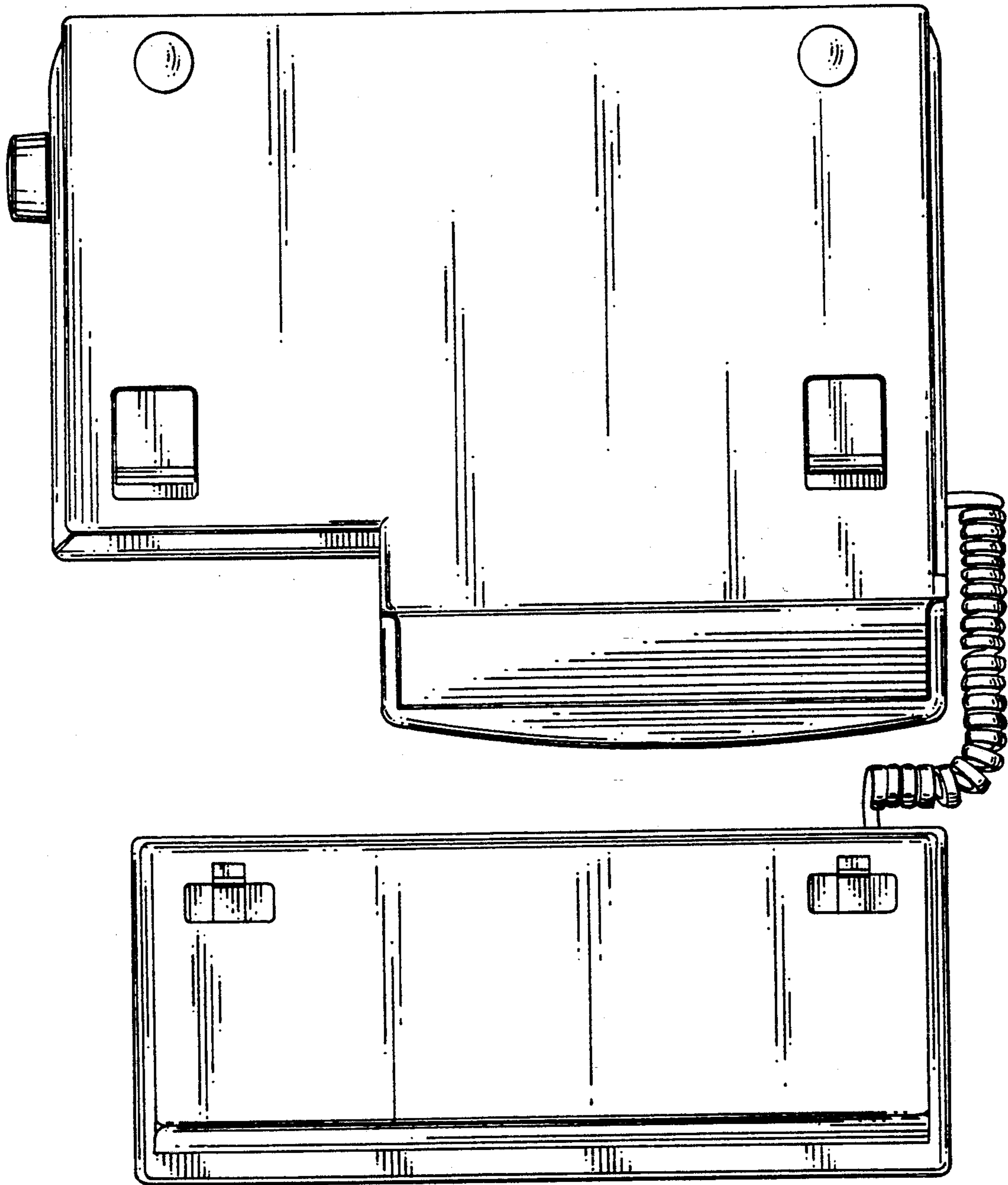


FIG.3

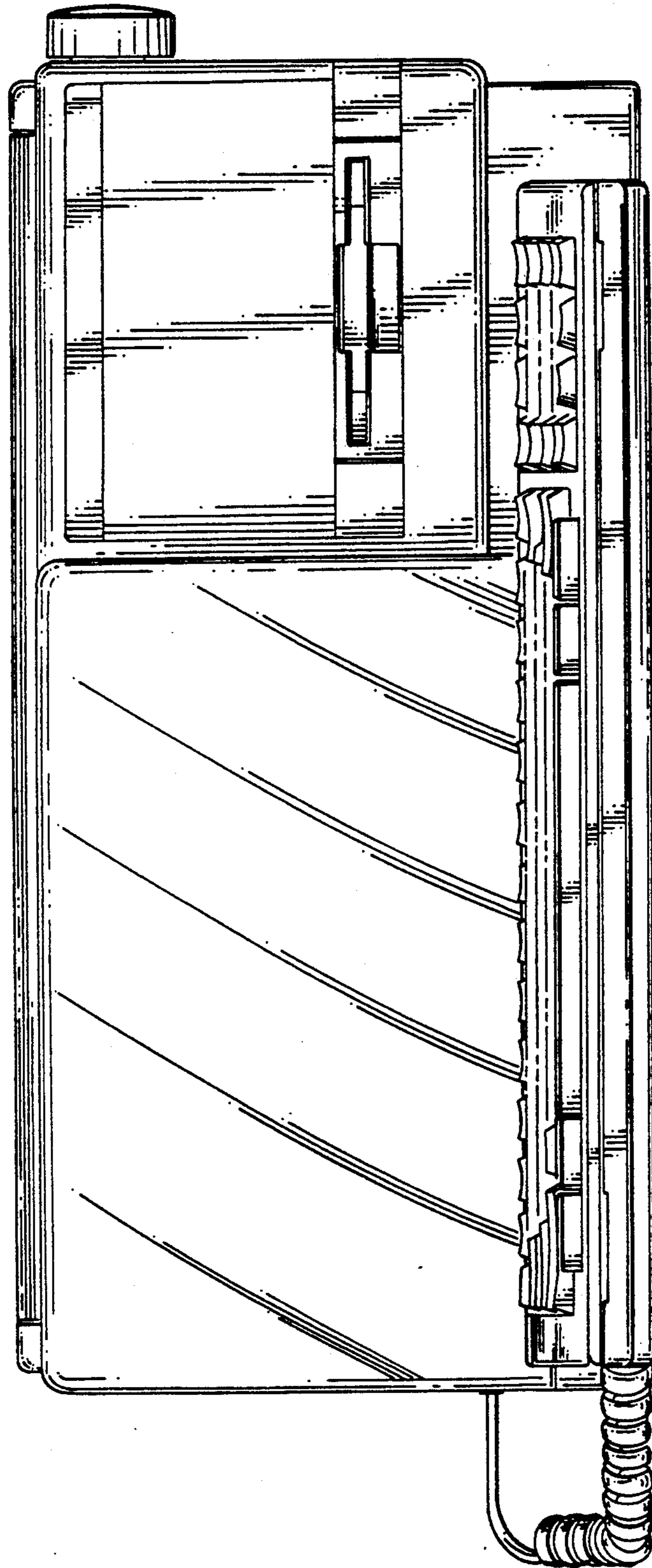


FIG.4

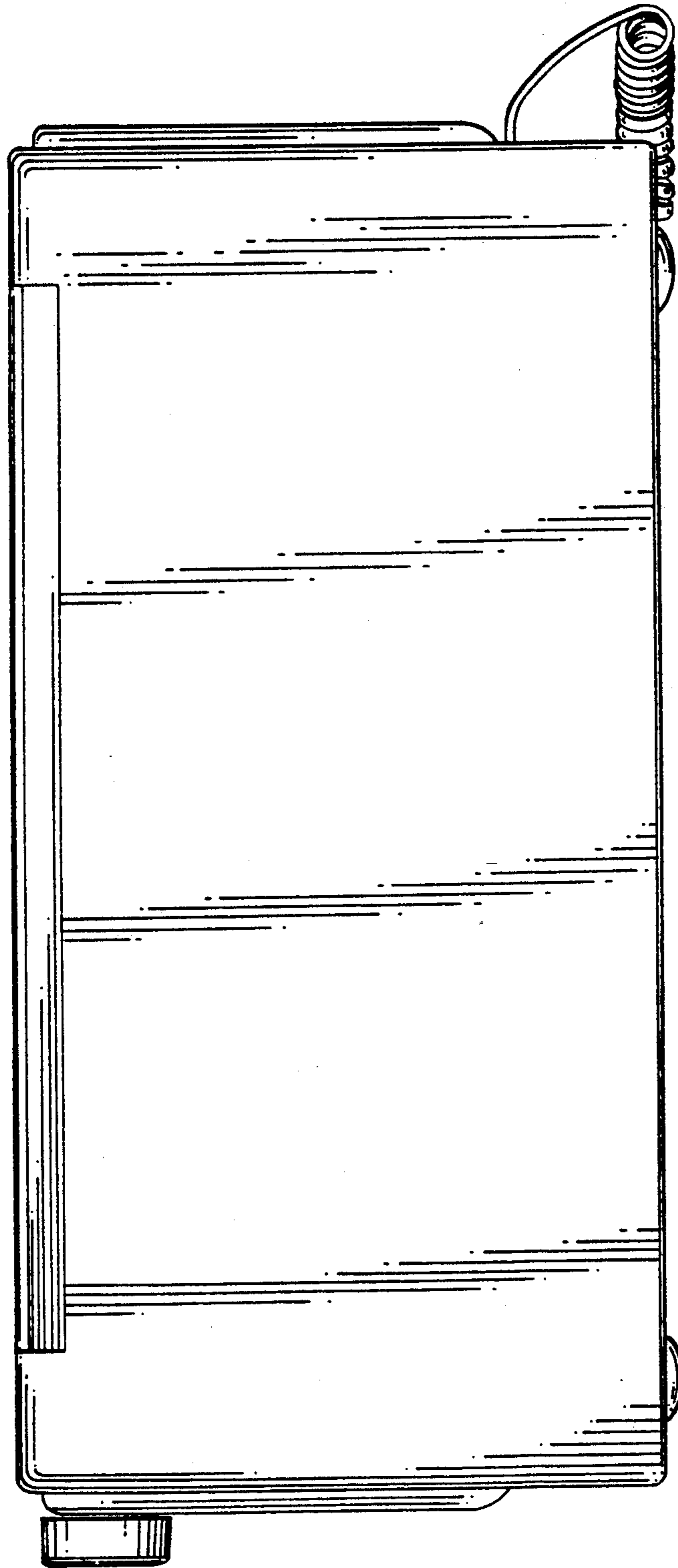


FIG.5

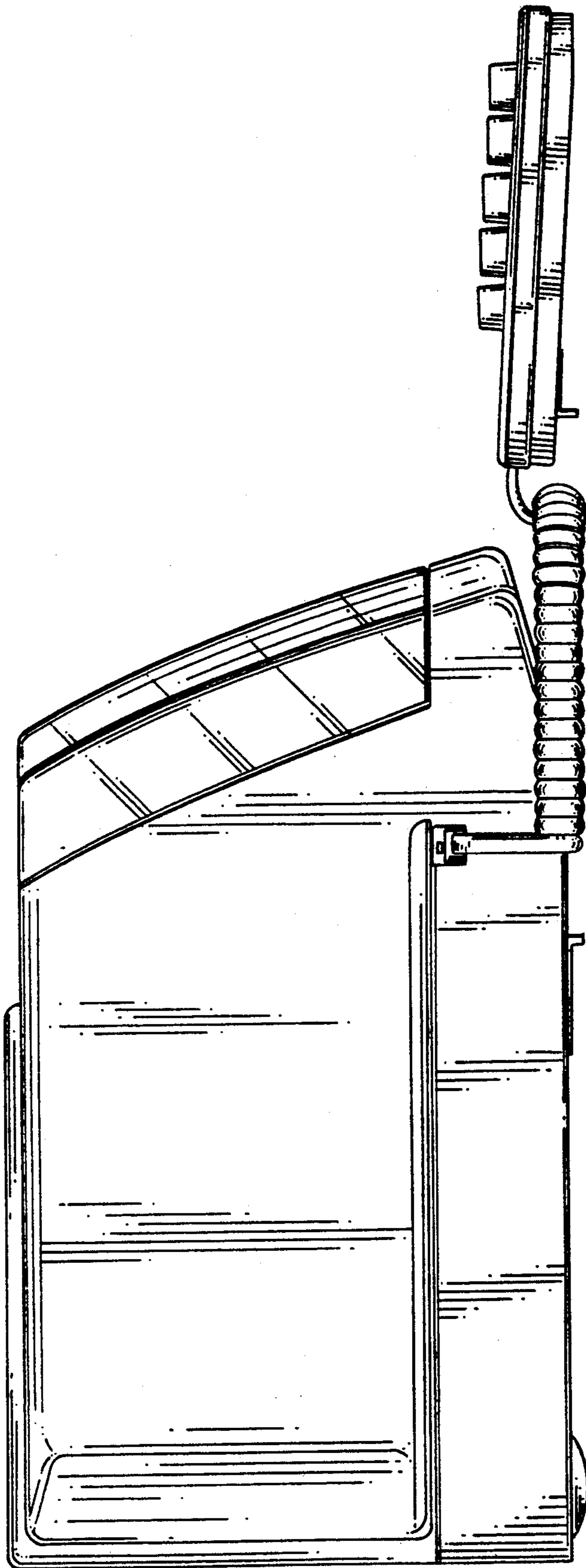


FIG.6

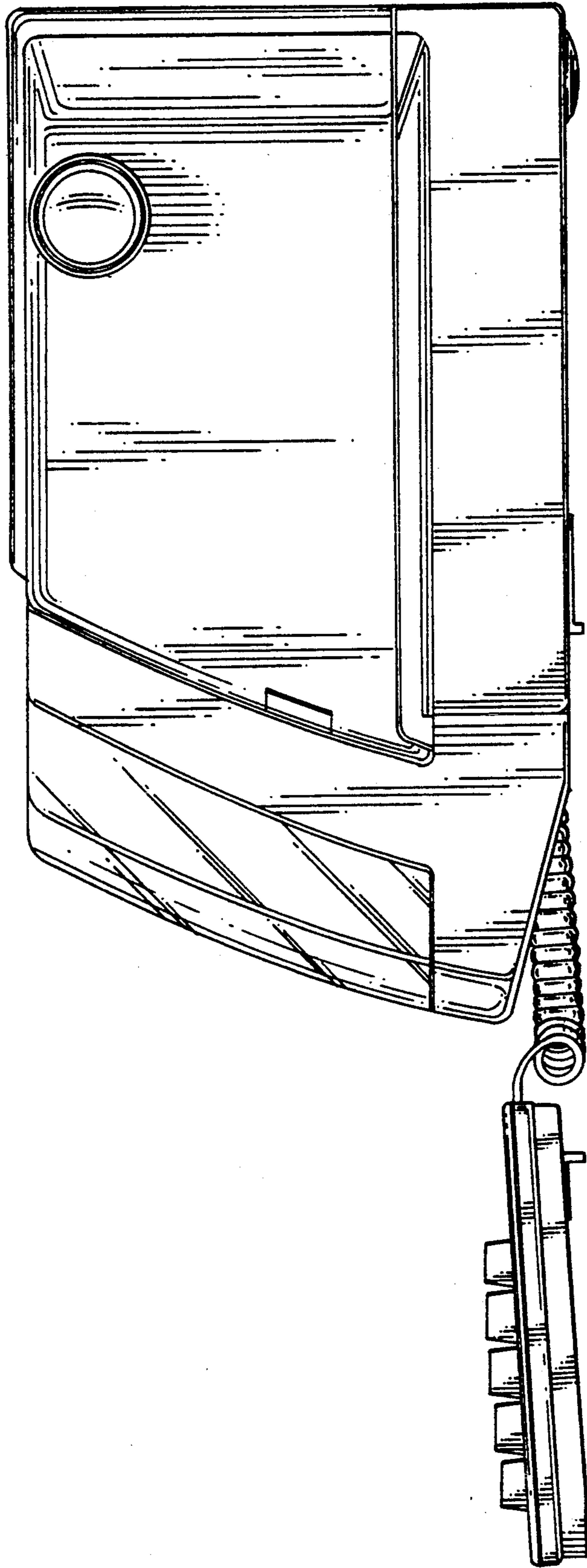


FIG. 7