



US00D333810S

United States Patent [19]

[11] Patent Number: **Des. 333,810**

Wenstadt

[45] Date of Patent: **** Mar. 9, 1993**

[54] RECREATIONAL BOAT

D. 318,257 7/1991 Lathers et al. D12/314
D. 318,450 7/1991 Lathers D12/314

[75] Inventor: **Thomas Wenstadt, Cadillac, Mich.**

OTHER PUBLICATIONS

[73] Assignee: **Outboard Marine Corporation,
Waukegan, Ill.**

Four Winns Boating Lifestyles Catalog, published 1990
(front & back covers; pp. 12 & 13.)

[**] Term: **14 Years**

Primary Examiner—**Kay H. Chin**

[21] Appl. No.: **699,804**

[57] CLAIM

[22] Filed: **May 7, 1991**

The ornamental design for a recreational boat, as shown
and described.

[52] U.S. Cl. **D12/314; D12/313;
D12/318**

DESCRIPTION

[58] Field of Search **D12/300, 310-315;
114/56, 355, 356, 357, 358, 343**

FIG. 1 is a side elevational view of a recreational boat
showing my new design, the opposite side elevational
view being a mirror image of that shown;

[56] References Cited

U.S. PATENT DOCUMENTS

D. 196,211 9/1963 Boat .
D. 235,530 6/1975 Boat D12/62
D. 236,333 8/1975 Motor Boat D12/62
D. 317,895 7/1991 Lathers D12/314

FIG. 2 is a top plan view thereof;

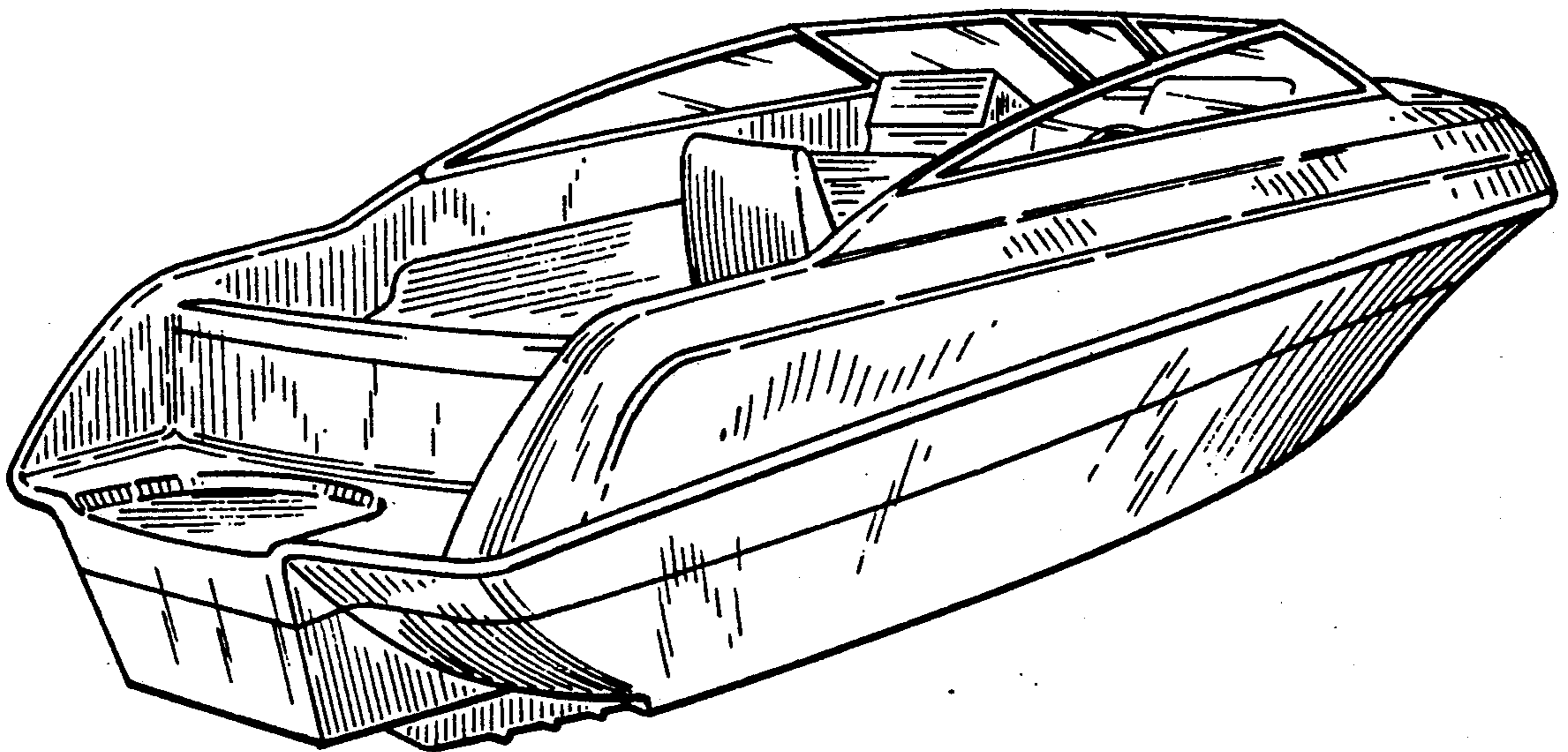
FIG. 3 is a front elevational view thereof;

FIG. 4 is a rear elevational view thereof;

FIG. 5 is a bottom plan view thereof;

FIG. 6 is a top and side perspective view thereof; and,

FIG. 7 is a top and rear perspective view thereof.



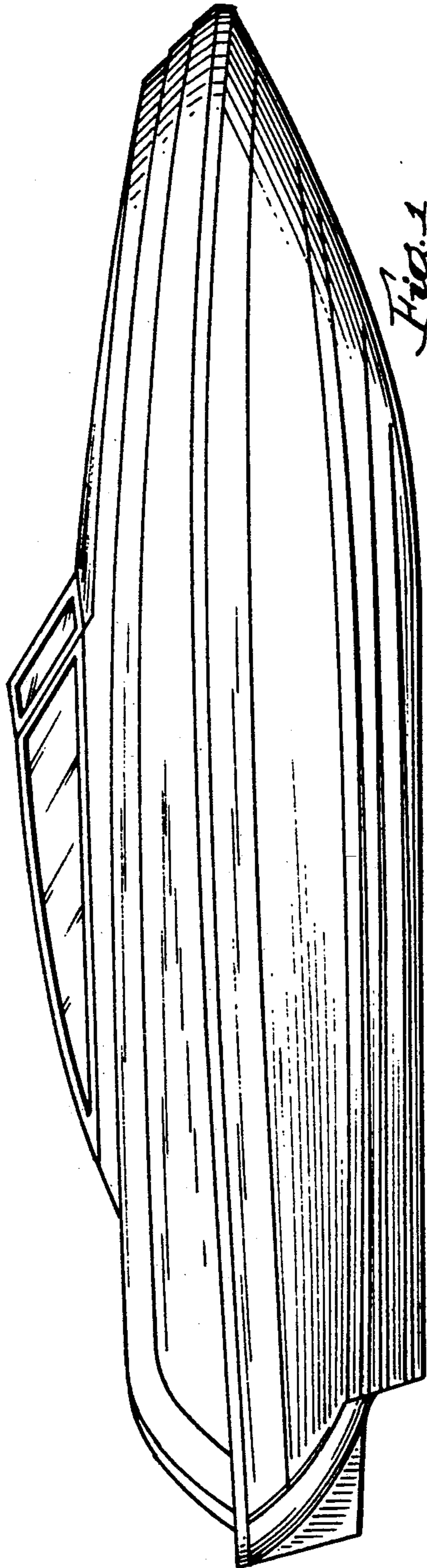


Fig. 1

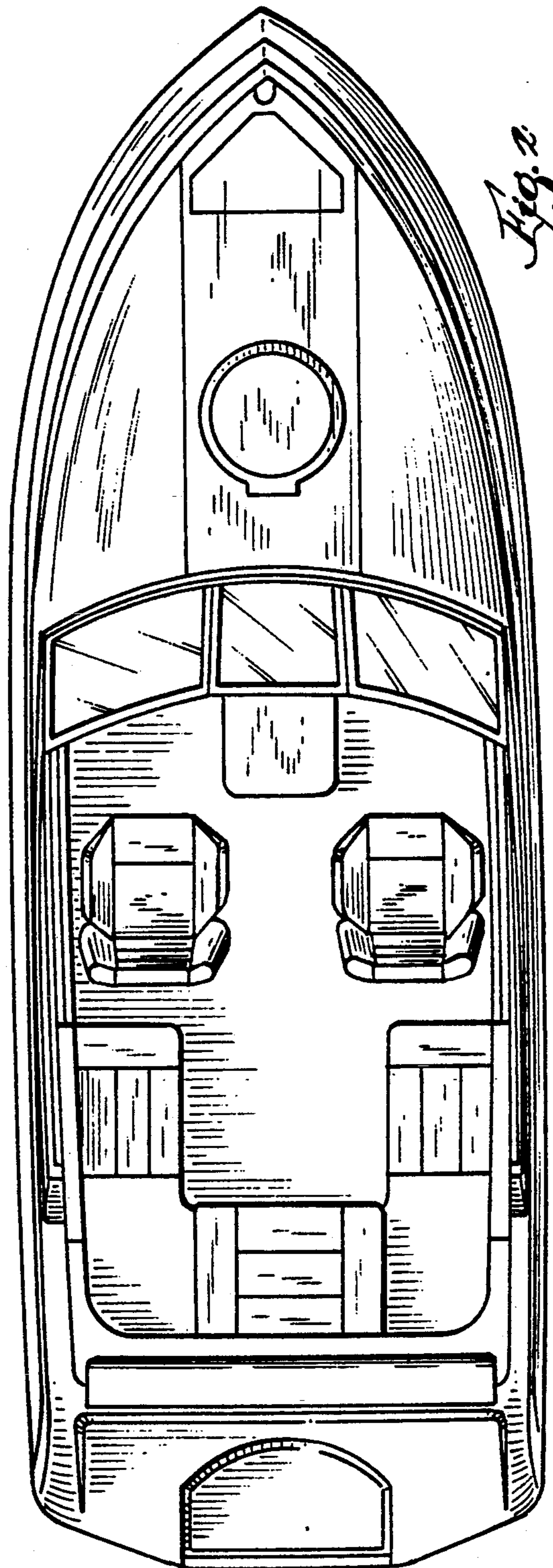


Fig. 2

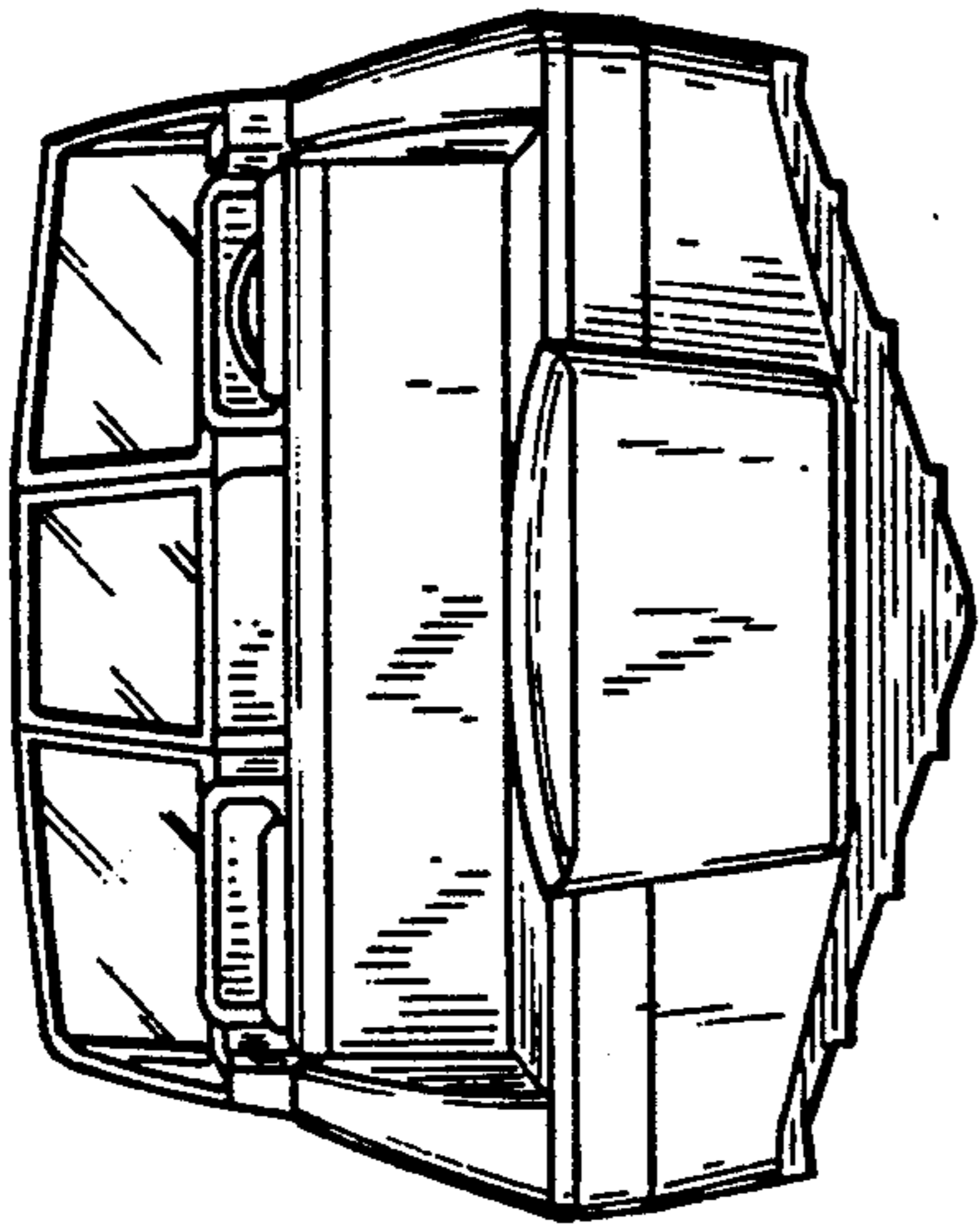


Fig. 1

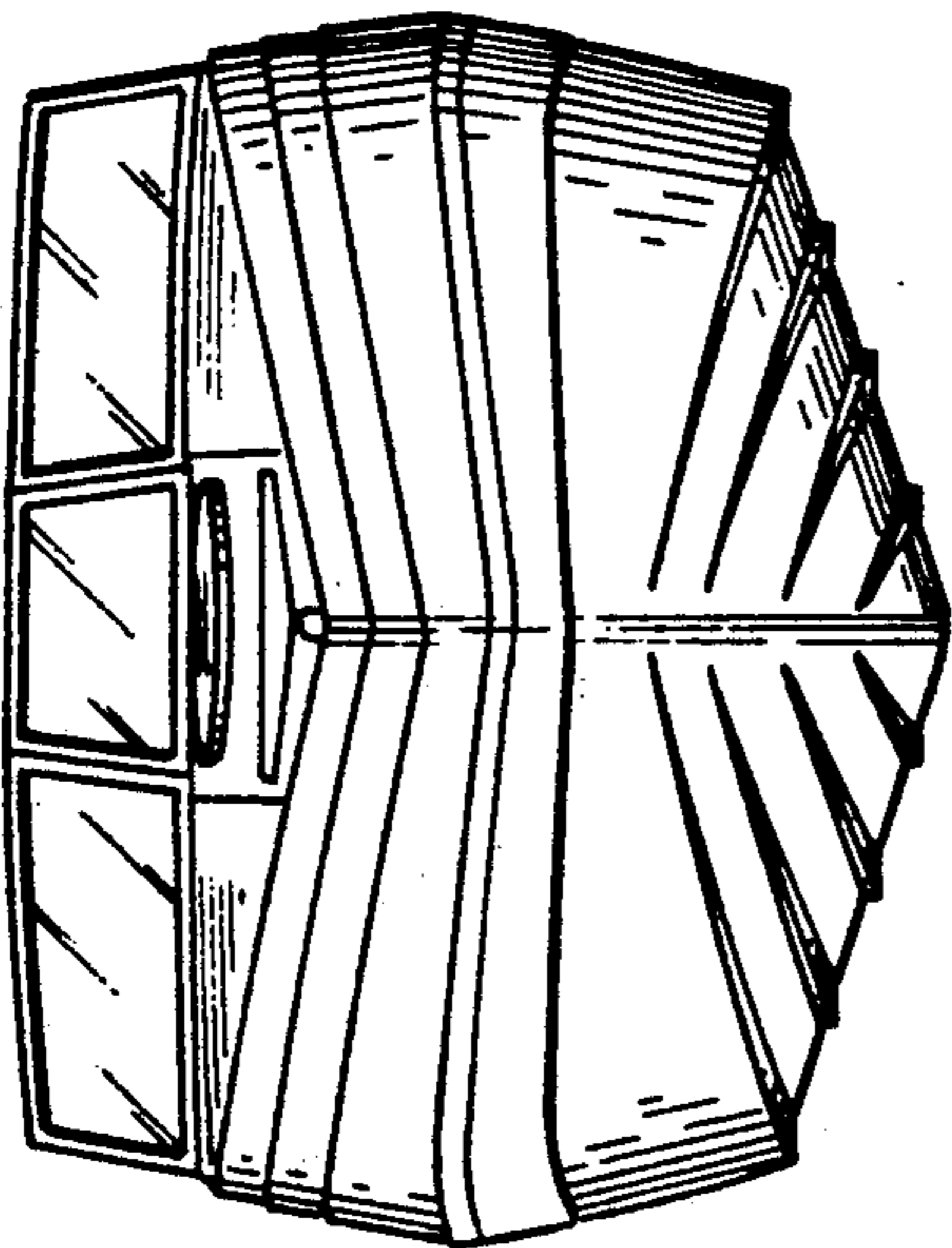


Fig. 2

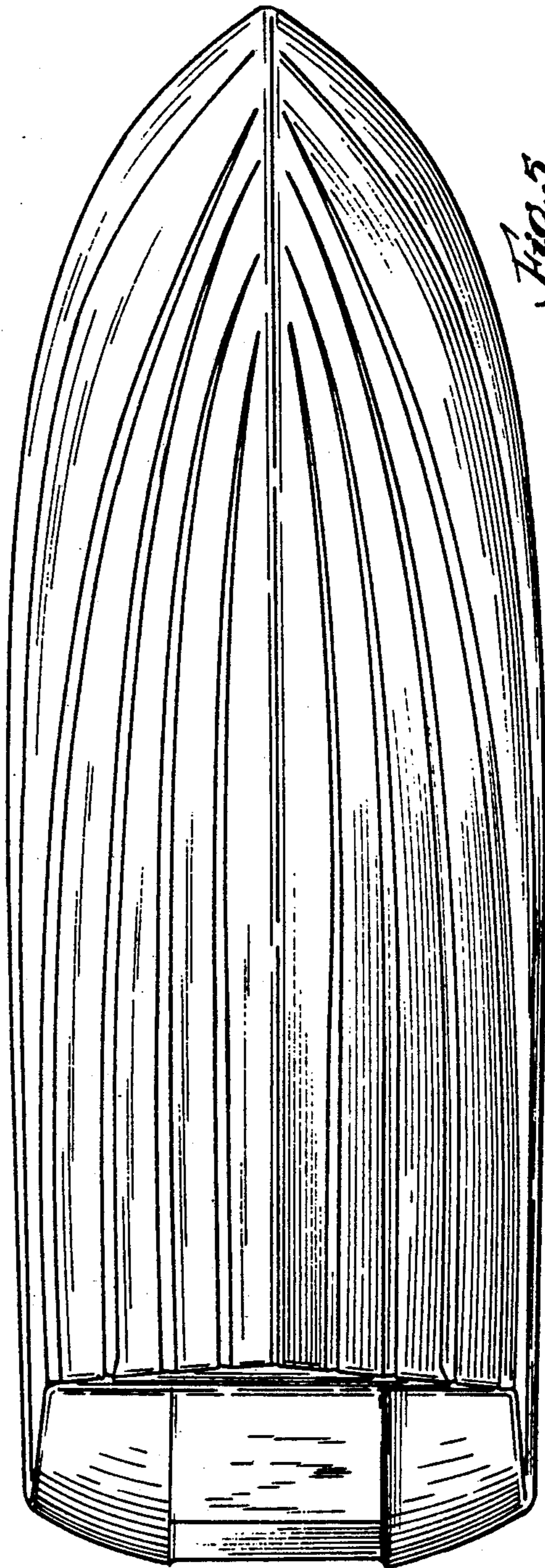


Fig. 3

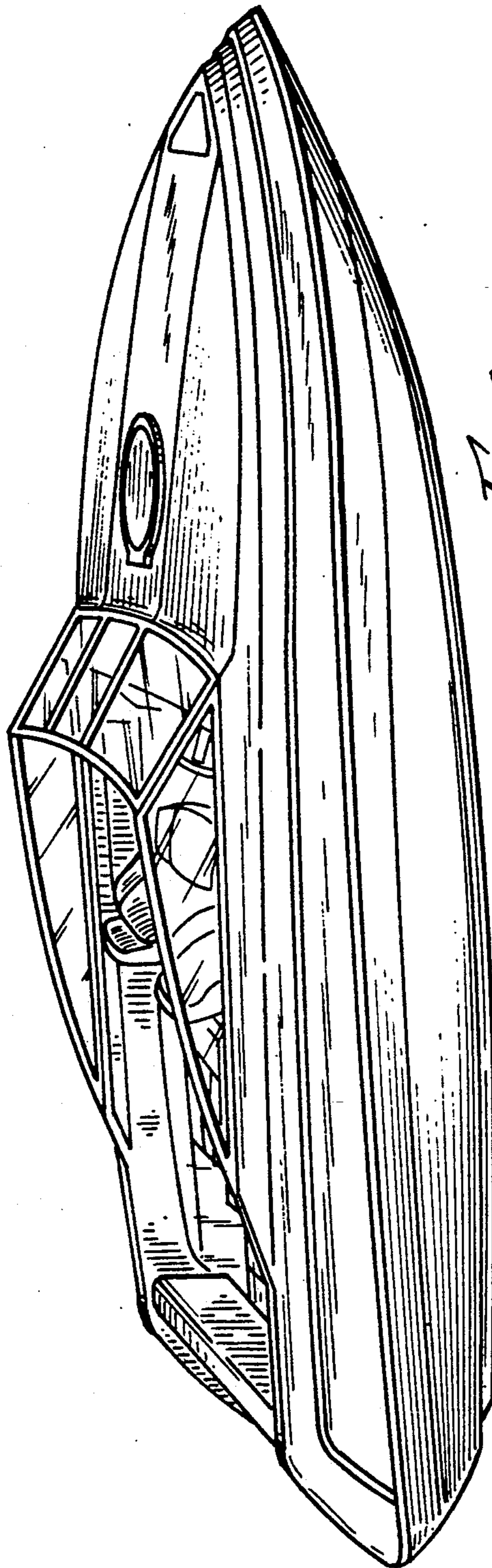


Fig. 6

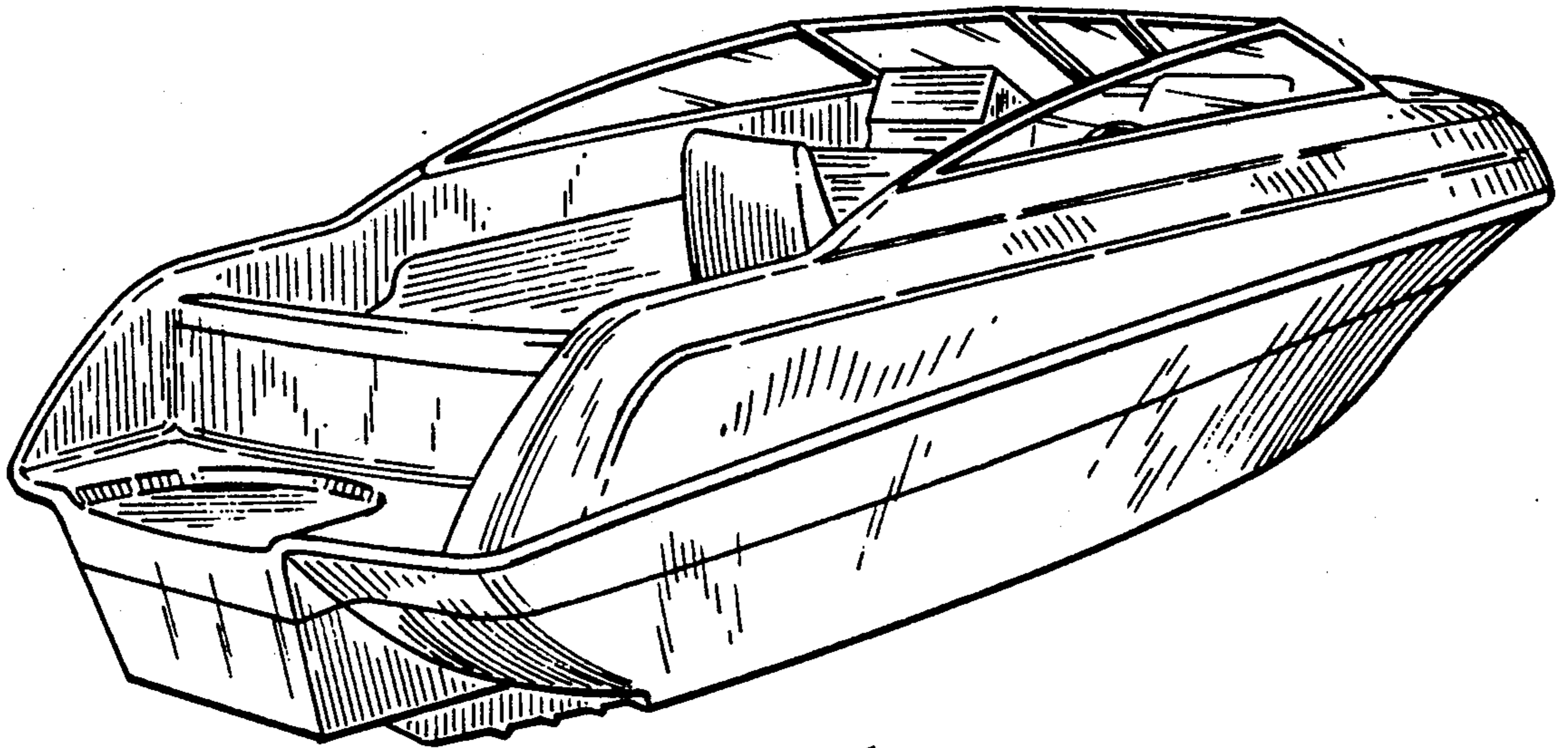


Fig. 7