



US00D333797S

# United States Patent [19]

[11] Patent Number: **Des. 333,797**

Lu

[45] Date of Patent: **\*\* Mar. 9, 1993**

[54] **SOLAR POWERED CONSTRUCTION LIGHT**

*Primary Examiner—Susan J. Lucas  
Attorney, Agent, or Firm—Danton K. Mak*

[76] Inventor: **Tseng Lu, 675 N. Rodeo Way,  
Walnut, Calif. 91789**

[57] **CLAIM**

[\*\*] Term: **14 Years**

The ornamental design for the solar powered construction light, as shown and described.

[21] Appl. No.: **668,441**

**DESCRIPTION**

[22] Filed: **Mar. 12, 1991**

[52] U.S. Cl. .... **D10/114**

[58] Field of Search ..... **D26/28; D10/114;  
362/61, 80, 80.1, 83, 183; 340/908, 908.1, 331,  
332; 320/2**

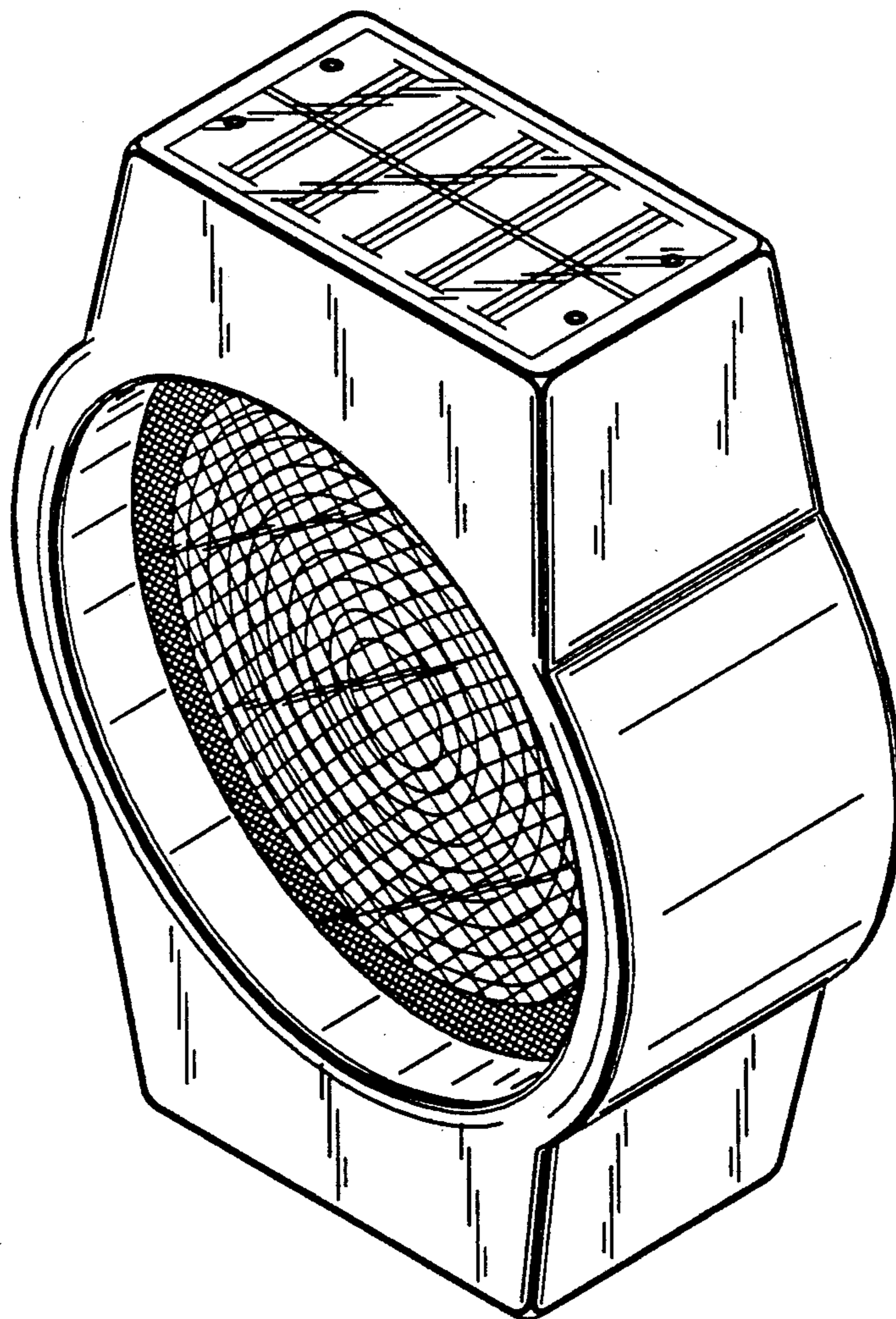
FIG. 1 is a top perspective view of a solar powered construction light showing my new design; FIG. 2 is a bottom perspective view thereof; FIG. 3 is a front elevational view thereof on a reduced scale, the rear being a mirror image of the front; FIG. 4 is a side elevational view thereof on a reduced scale, the opposite side being a mirror image of that shown;

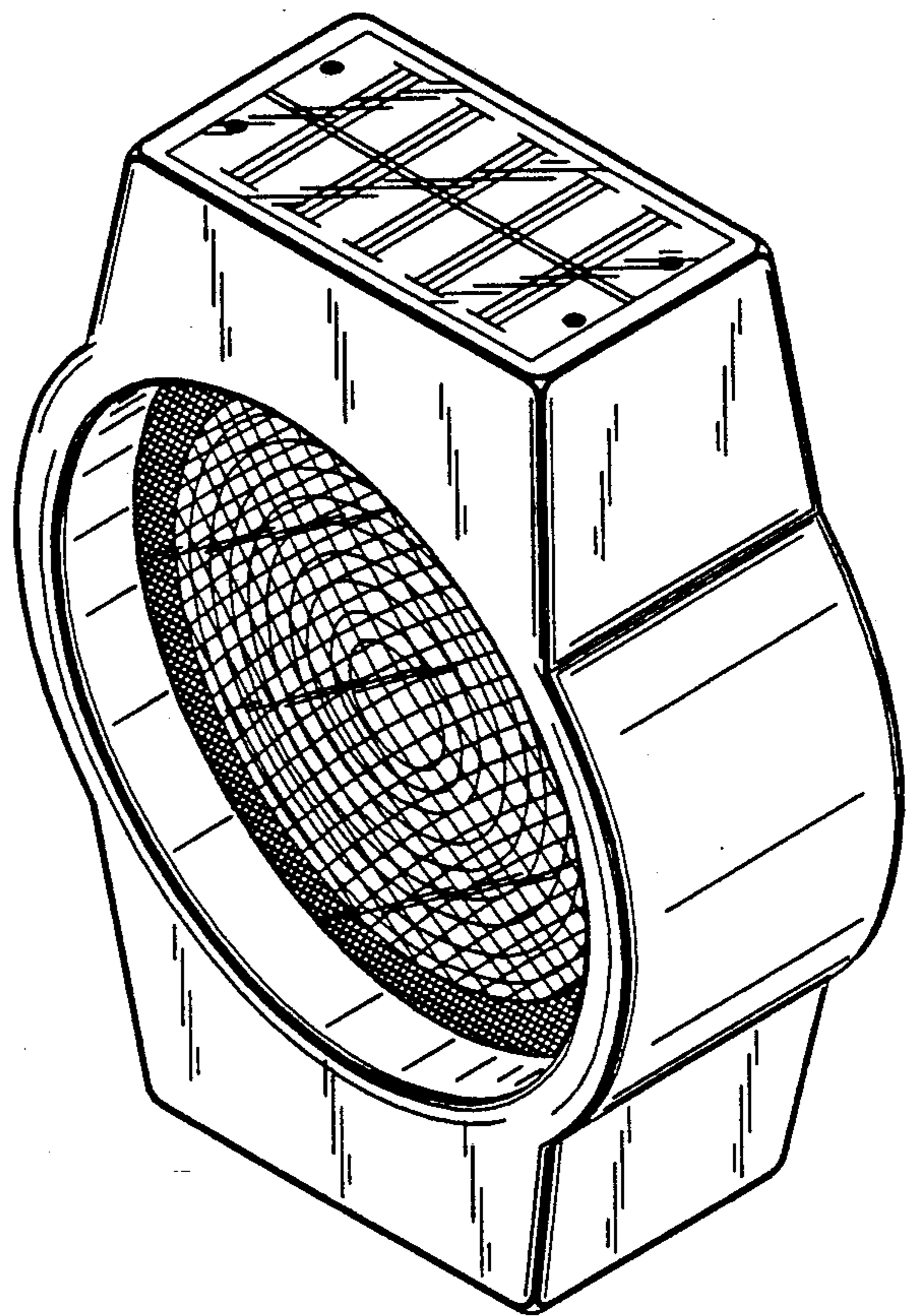
[56] **References Cited**

**U.S. PATENT DOCUMENTS**

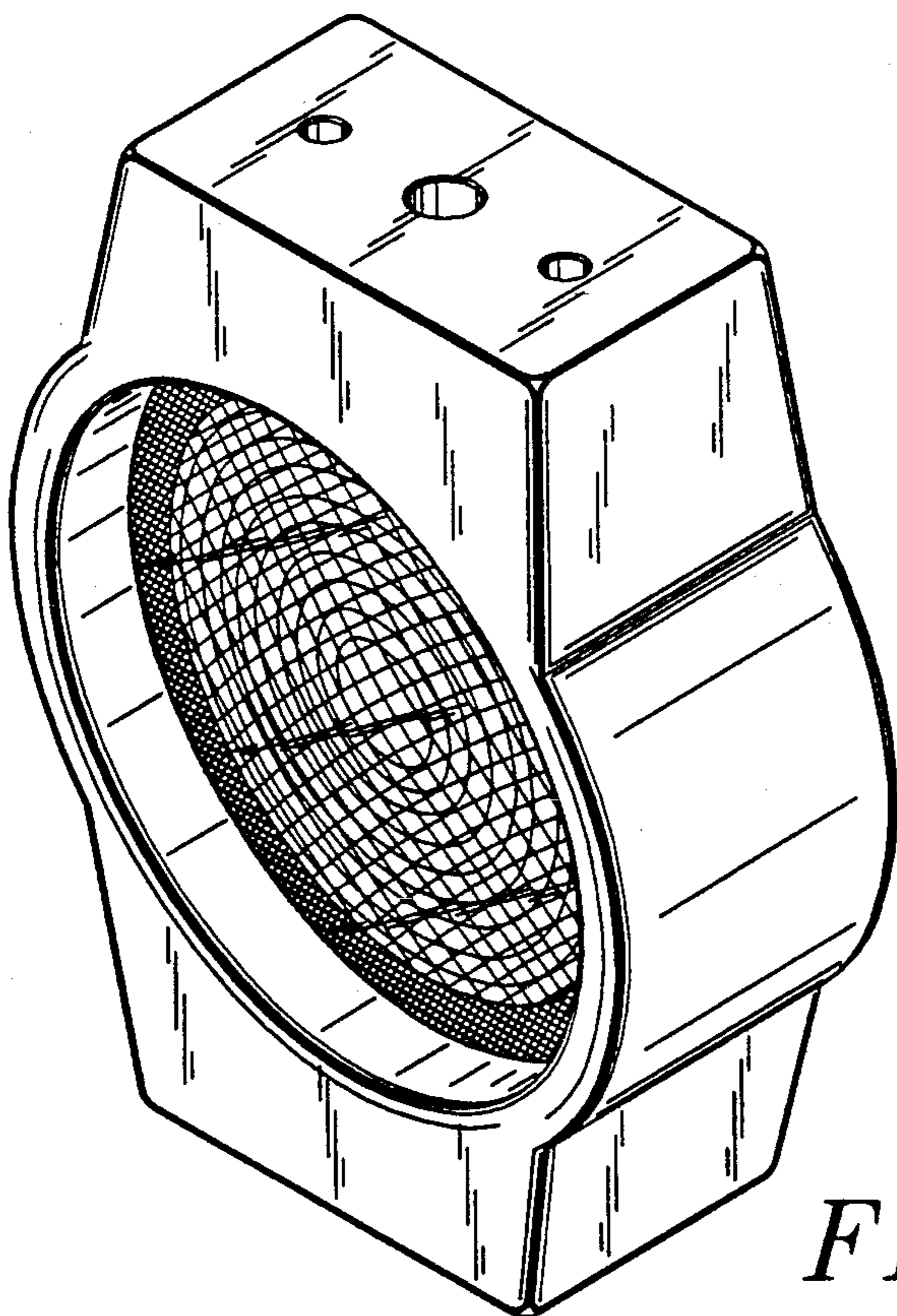
- D. 254,658 4/1980 Wagner ..... D10/114
- 3,500,378 3/1970 Pickering et al. .... D10/114 X
- 3,523,290 8/1970 Elledge, Jr. .... 340/331

FIG. 5 is a top plan view thereof on a reduced scale; and, FIG. 6 is a bottom plan view thereof on a reduced scale.

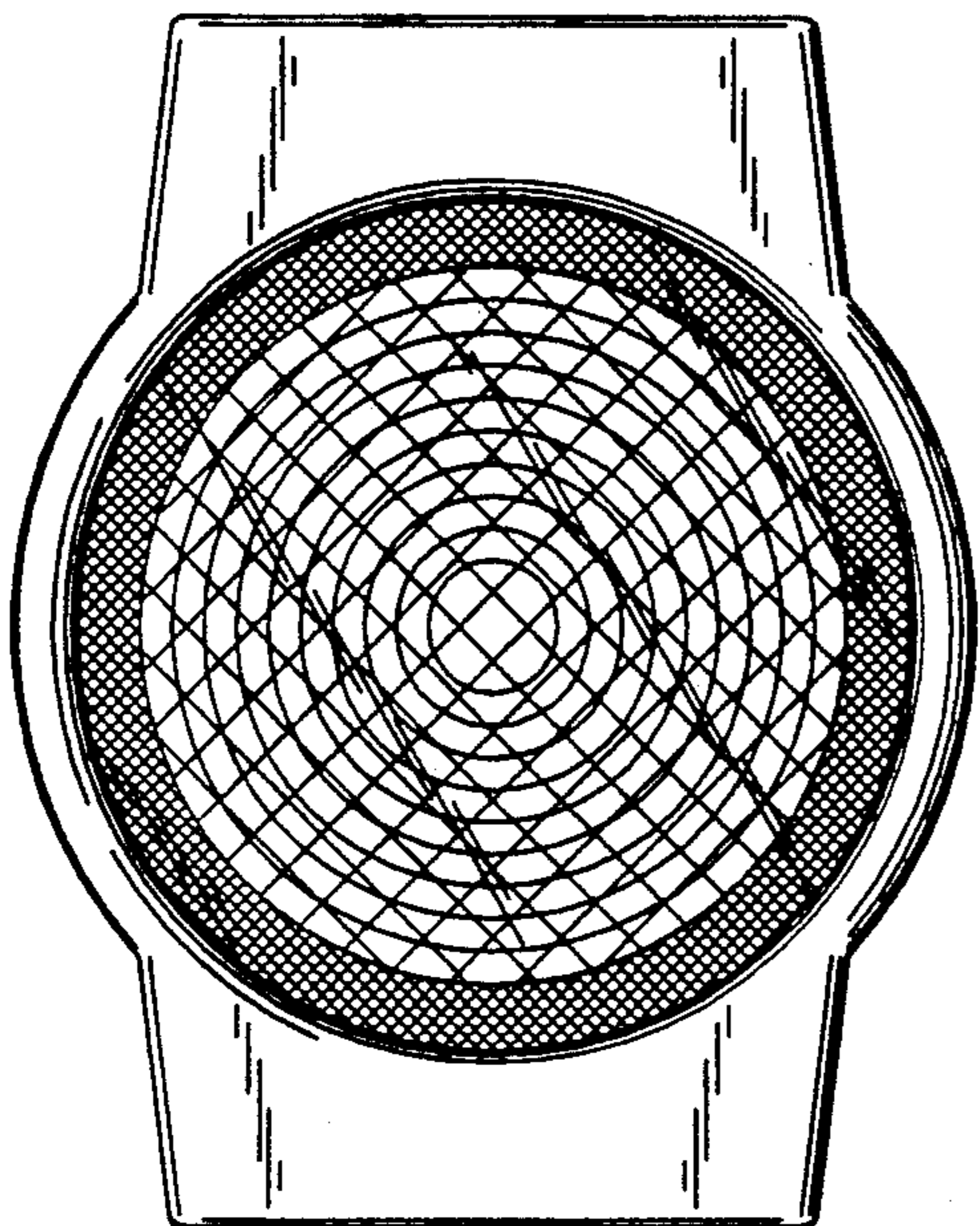




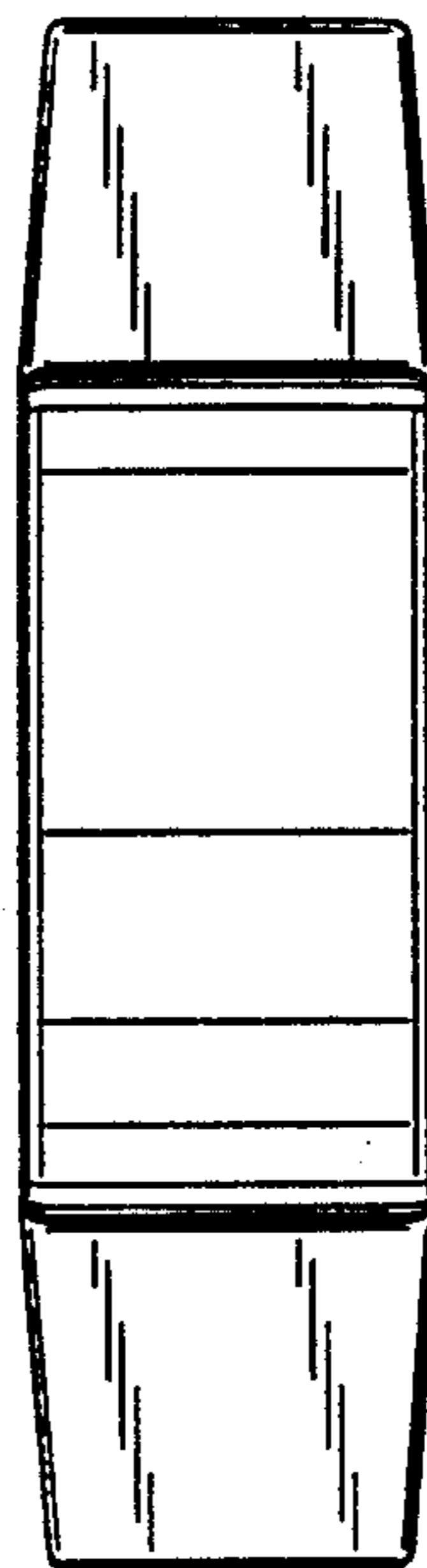
*FIG. 1*



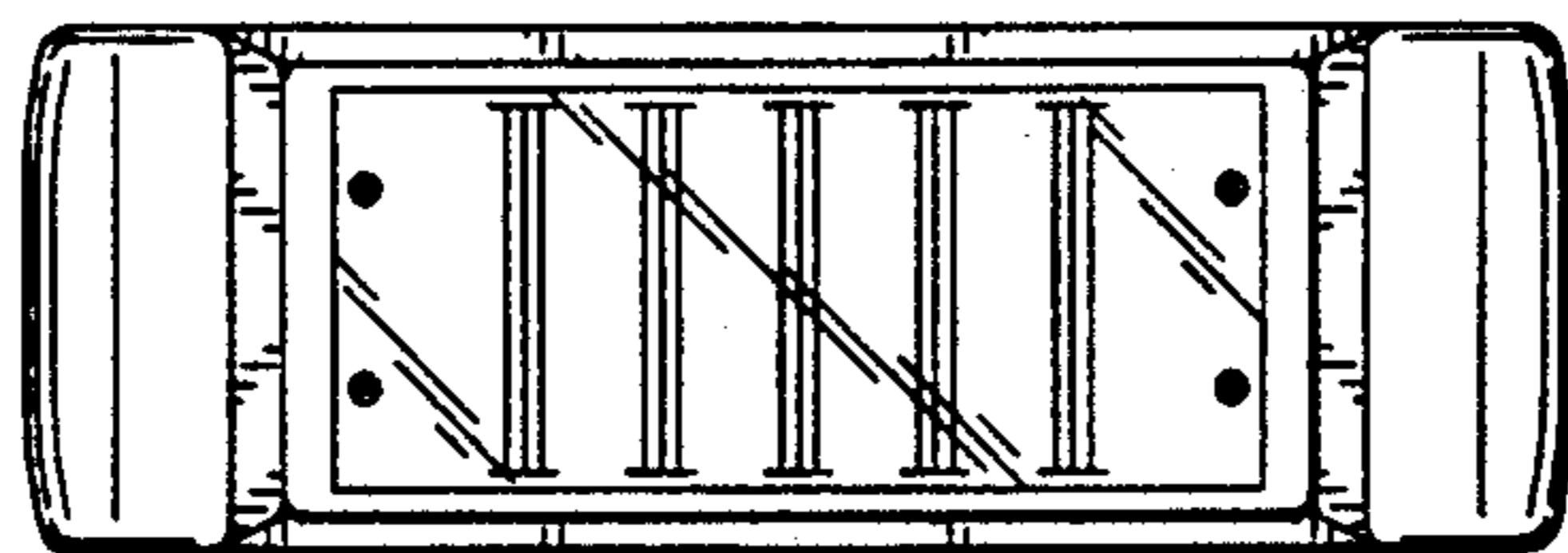
*FIG. 2*



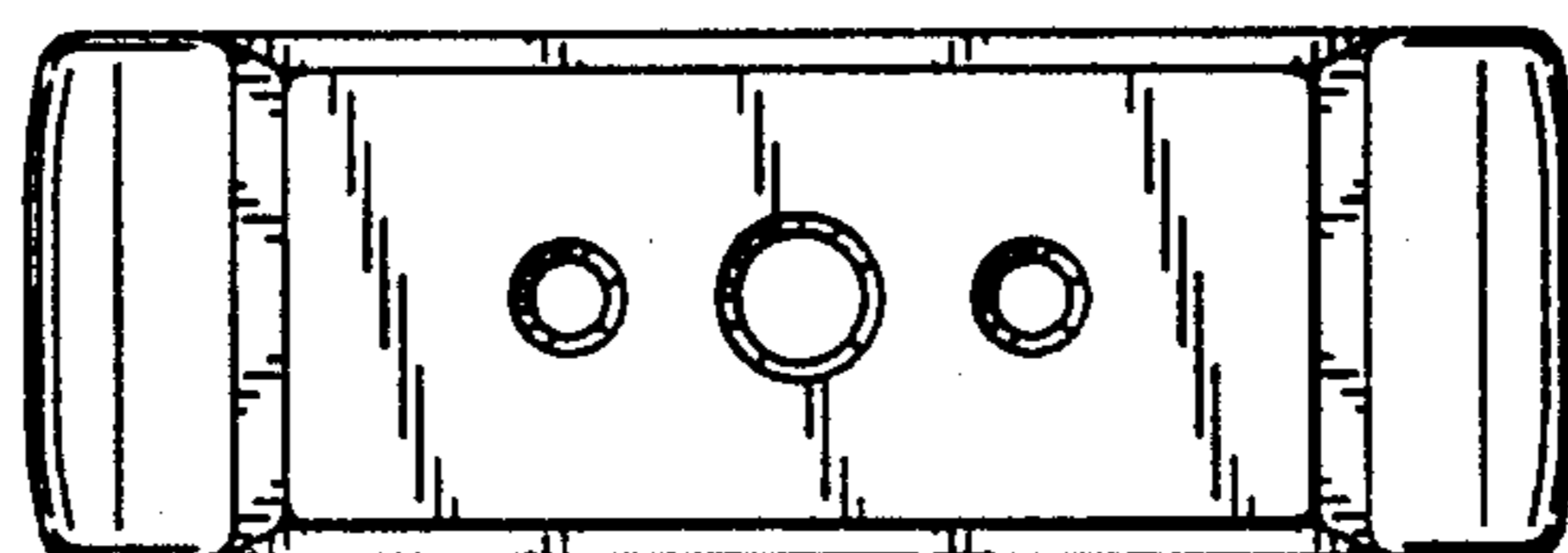
*FIG. 3*



*FIG. 4*



*FIG. 5*



*FIG. 6*