



US00D333796S

United States Patent [19]

[11] Patent Number: Des. 333,796

Bannon

[45] Date of Patent: ** Mar. 9, 1993

[54] COMBINED SMOKE DETECTOR CONTROL UNIT AND SMOKE DETECTOR

[76] Inventor: Paul Bannon, 145 Crow La., Newburyport, Mass. 01950

[**] Term: 14 Years

[21] Appl. No.: 541,360

[22] Filed: Jun. 21, 1990

[52] U.S. Cl. D10/106

[58] Field of Search D10/104, 105, 106, 121; 340/577, 628, 629, 630, 631, 693, 384 R, 384 E, 388, 394; D14/174

[56] References Cited

U.S. PATENT DOCUMENTS

D. 241,323	9/1976	Sparks et al.	D10/106
D. 246,034	10/1977	Sparks et al.	D10/106
D. 297,219	8/1988	Taylor	D10/106
3,226,703	12/1965	Finkle	D10/106
3,890,513	6/1975	Barleen et al.	D10/106
4,538,137	8/1985	Kimura .	
4,617,560	10/1986	Gutmann .	
4,792,797	12/1988	Tanguay .	

Primary Examiner—Wallace R. Burke
Assistant Examiner—Marcus Jackson
Attorney, Agent, or Firm—Terry M. Gernstein

[57] CLAIM

The ornamental design for a combined smoke detector control unit and smoke detector, as shown and described.

DESCRIPTION

FIG. 1 is a top perspective view of a combined smoke detector control unit and smoke detector showing my new design, with the cords broken away to indicate indeterminate length;

FIG. 2 is a front elevational view thereof, of the smoke detector control unit portion;

FIG. 3 is a rear elevational view thereof;

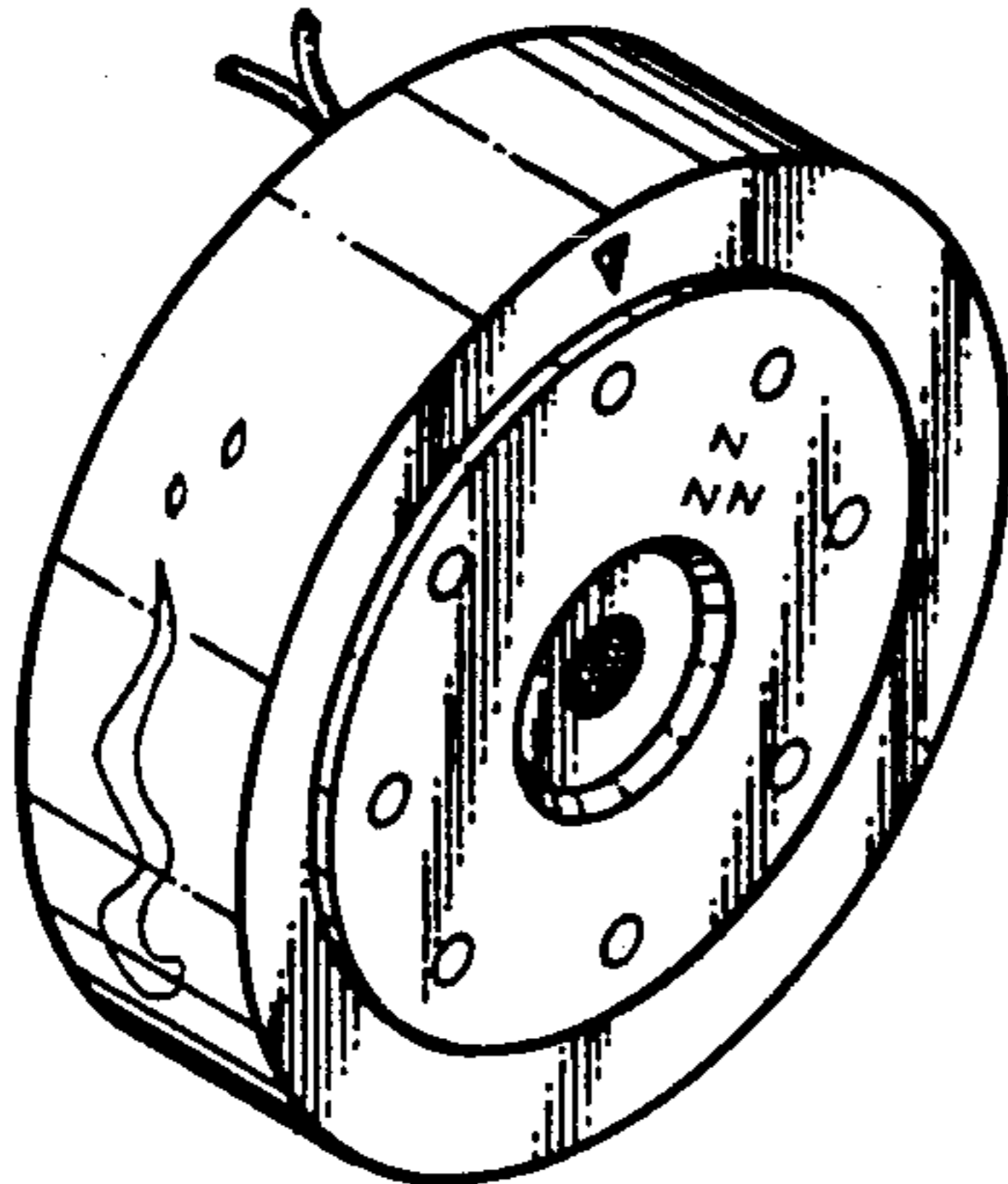
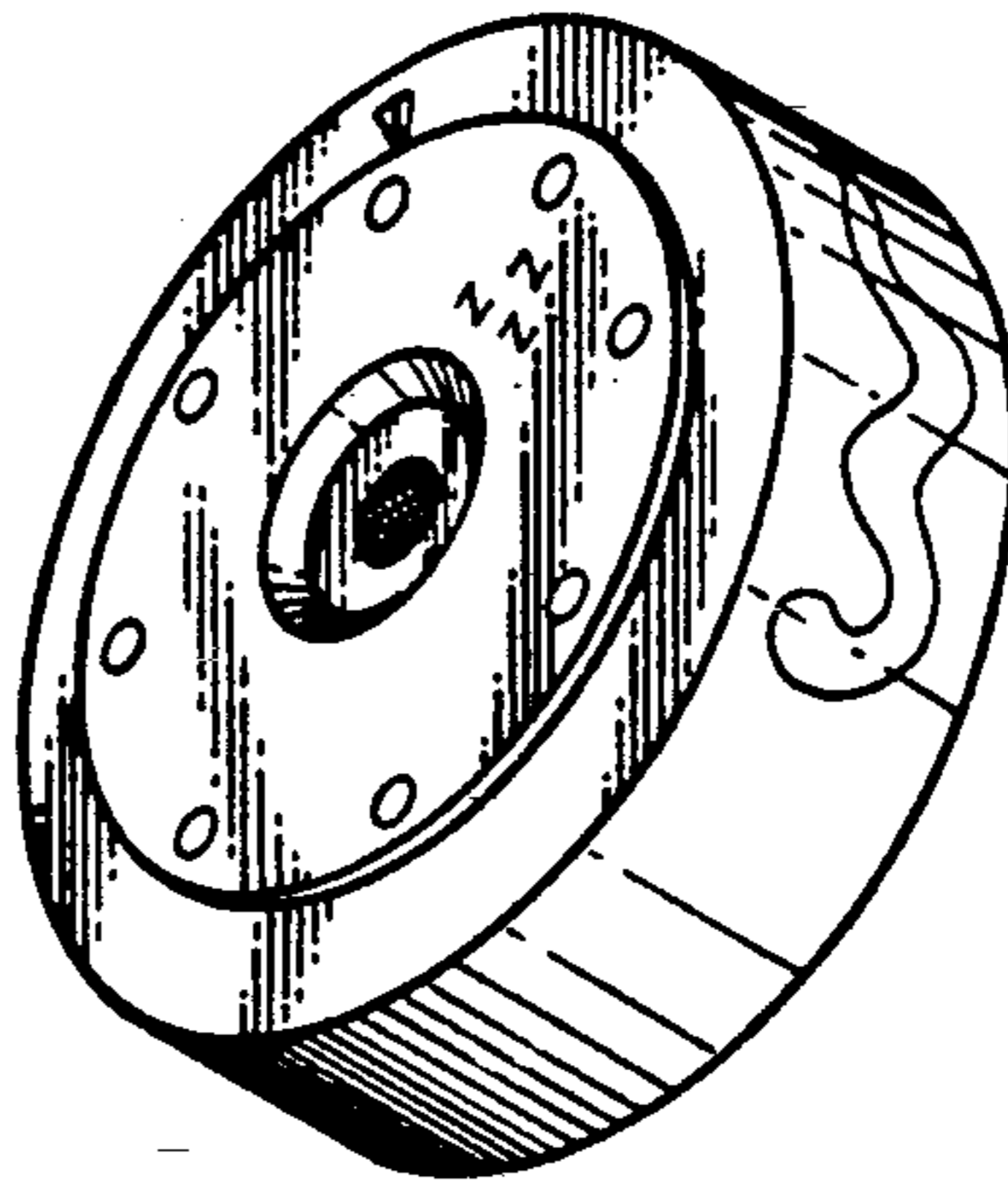
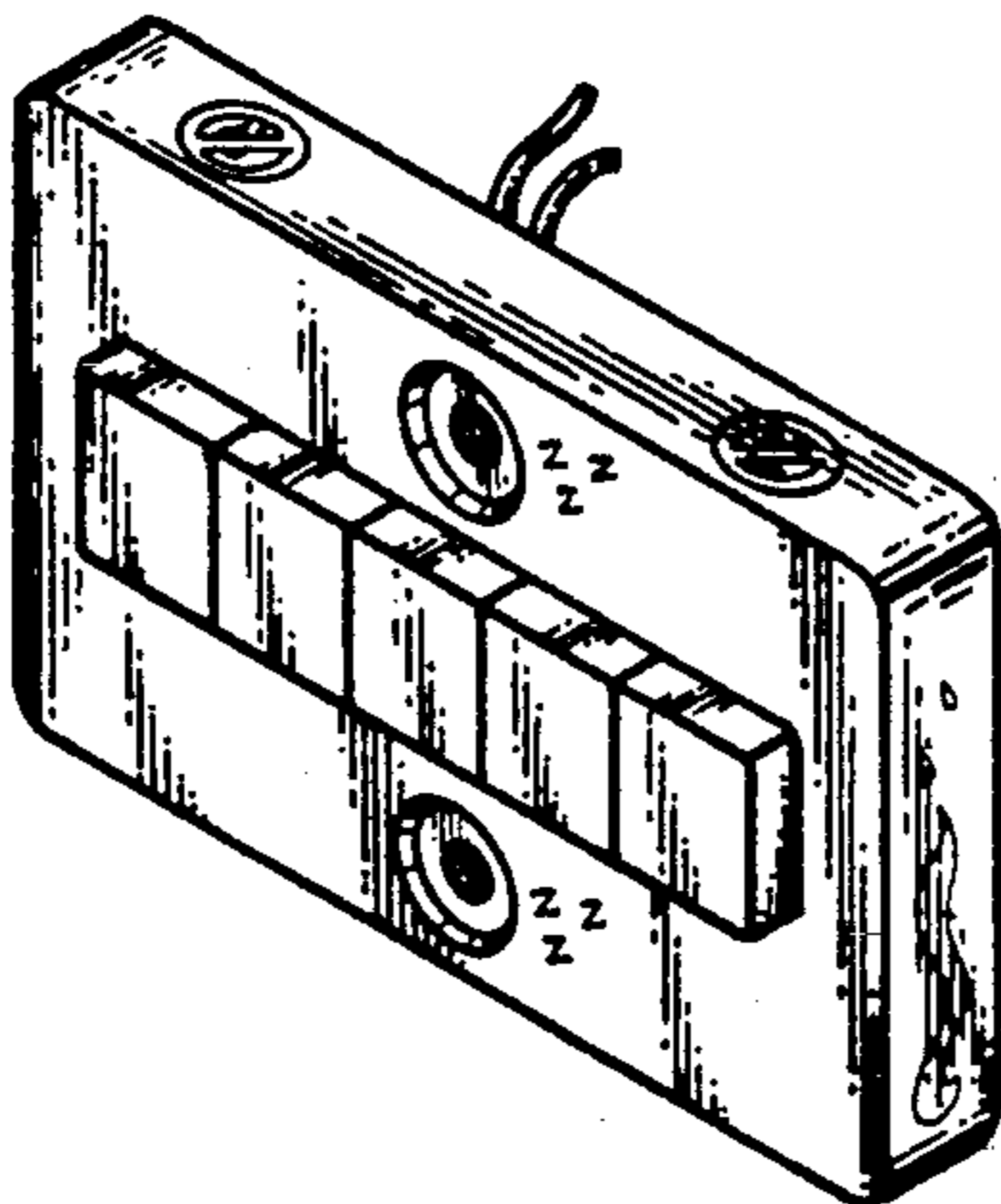
FIG. 4 is a right side elevational view thereof;

FIG. 5 is a left side elevational view thereof;

FIG. 6 is a top plan view thereof;

FIG. 7 is a bottom plan view thereof; and,

FIG. 8 is a bottom perspective view thereof, of the smoke detector portion, with the cord omitted for convenience of illustration.



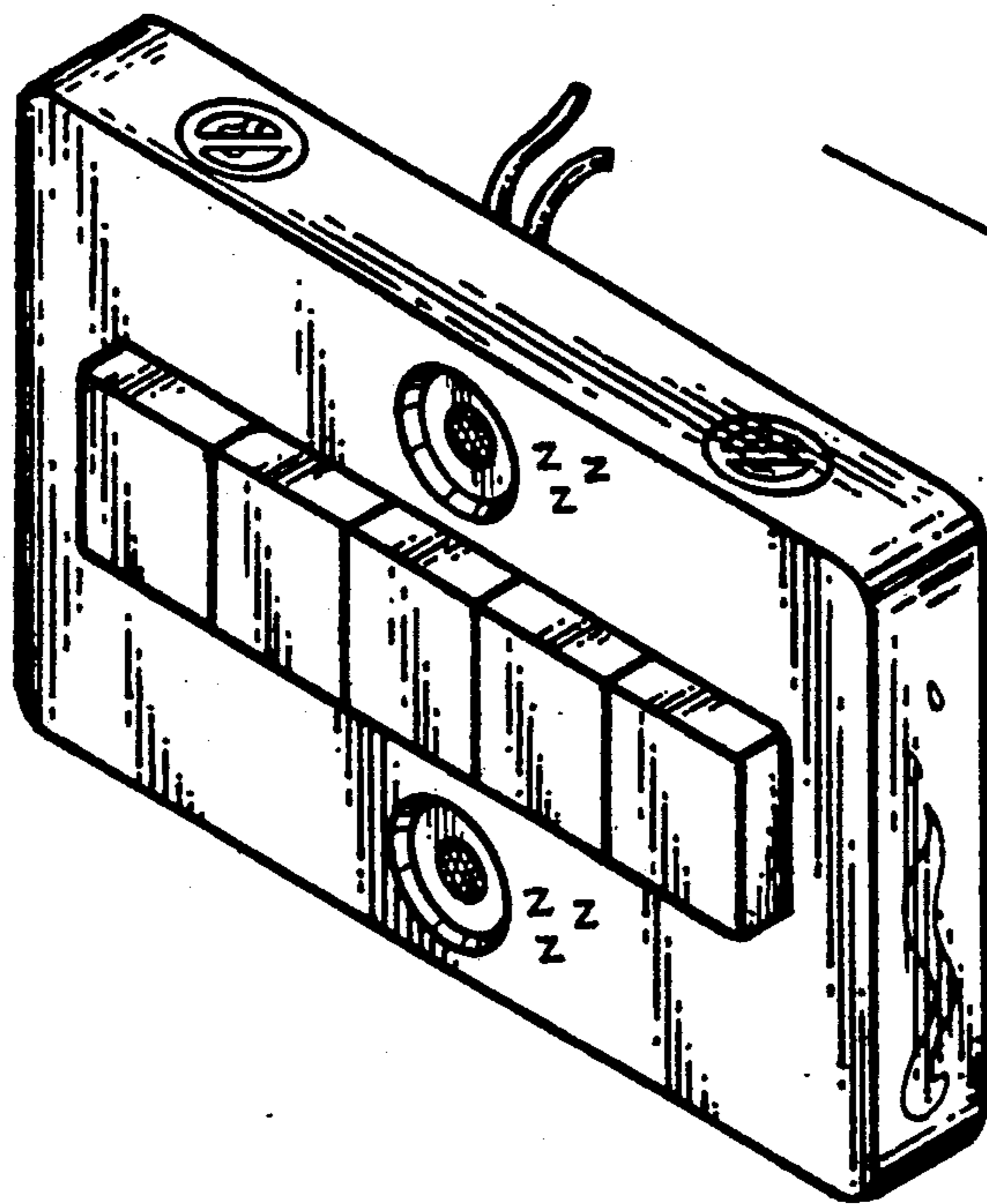
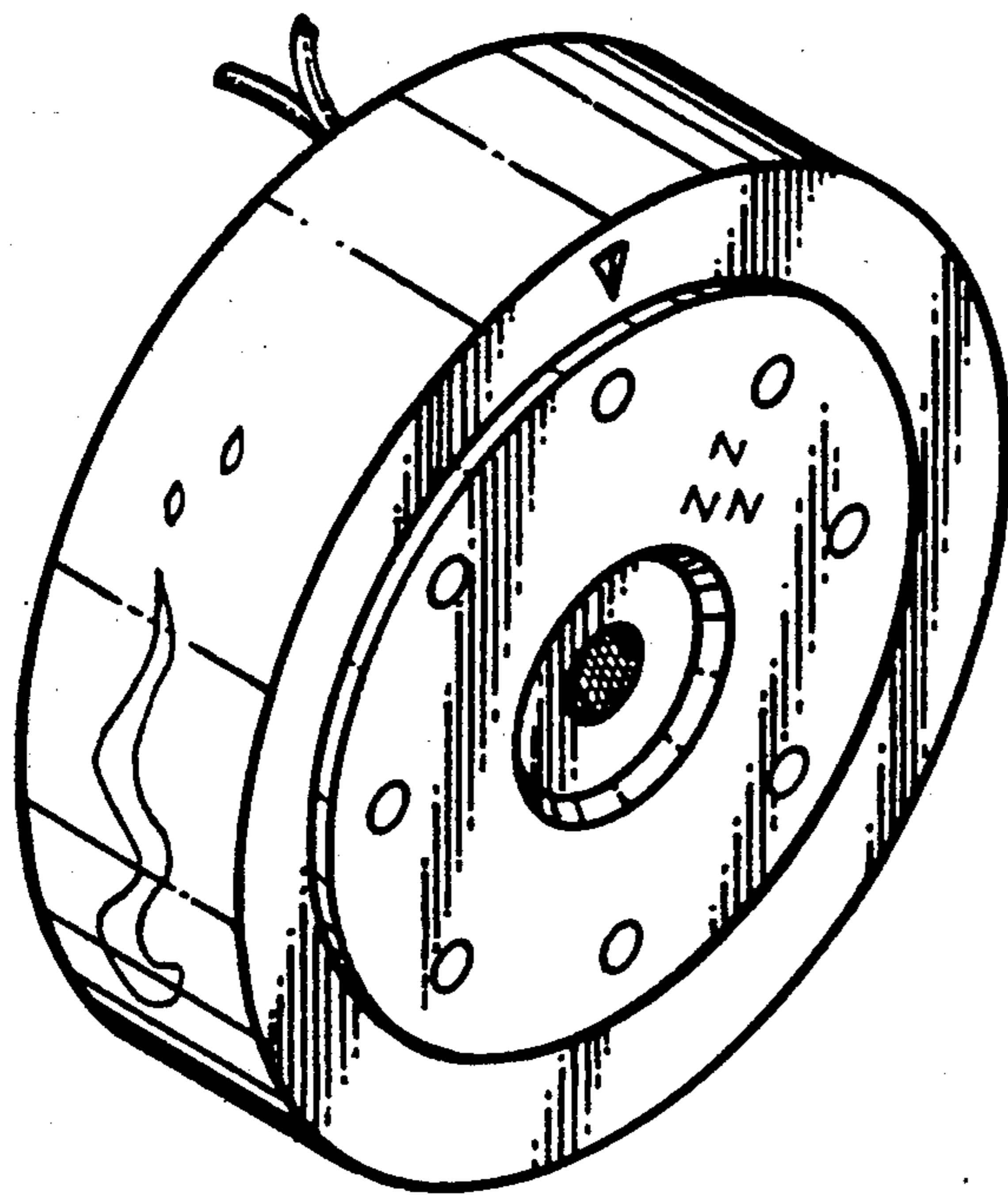


FIG. 1



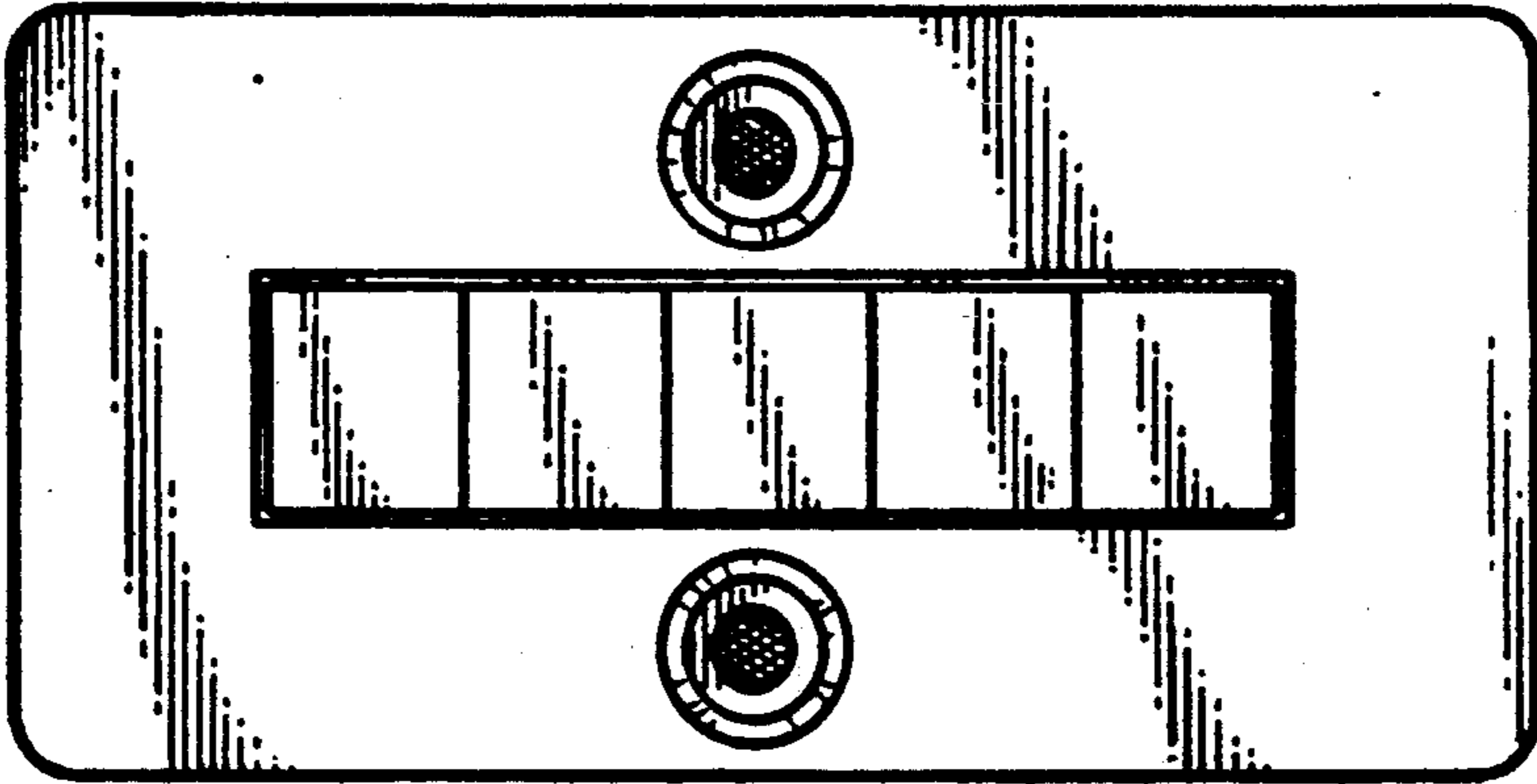


FIG. 2

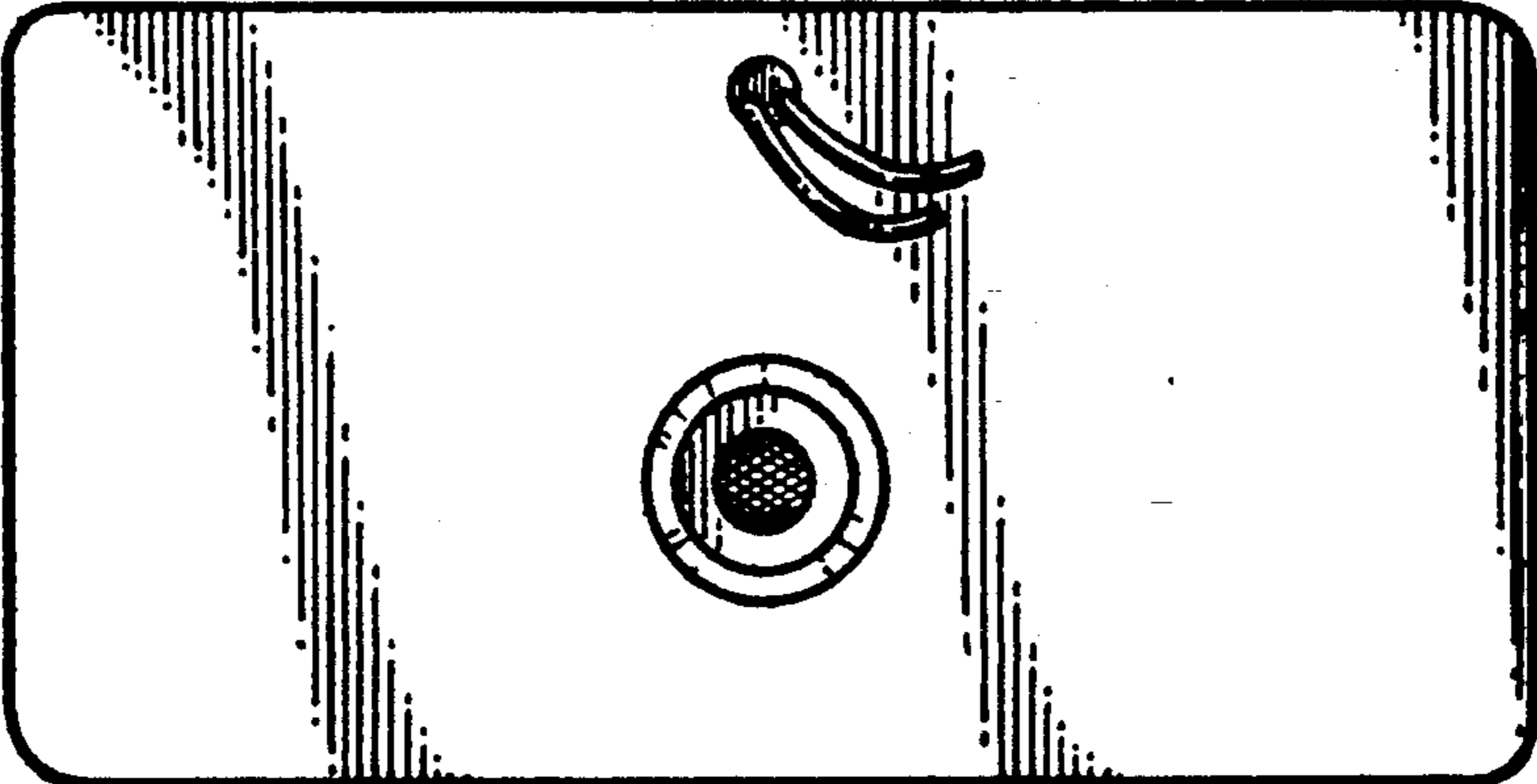


FIG. 3

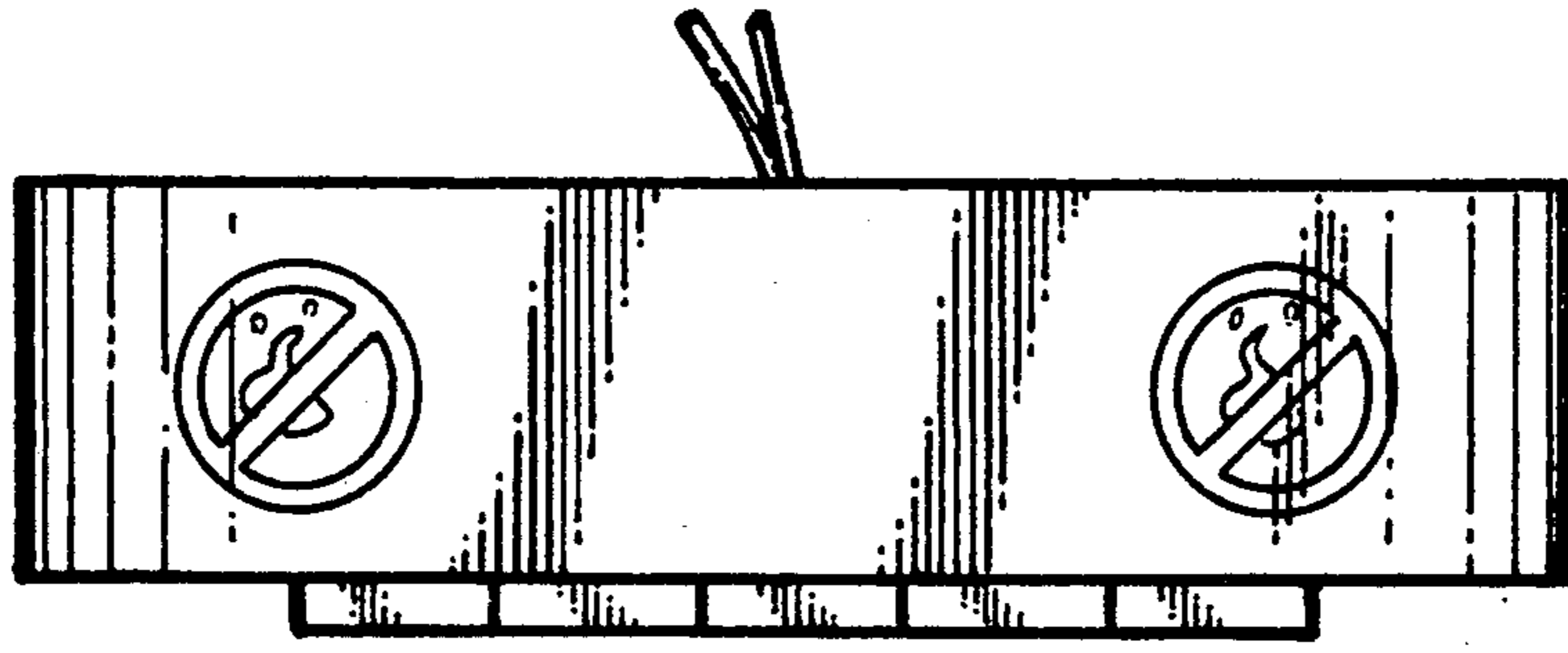


FIG. 6

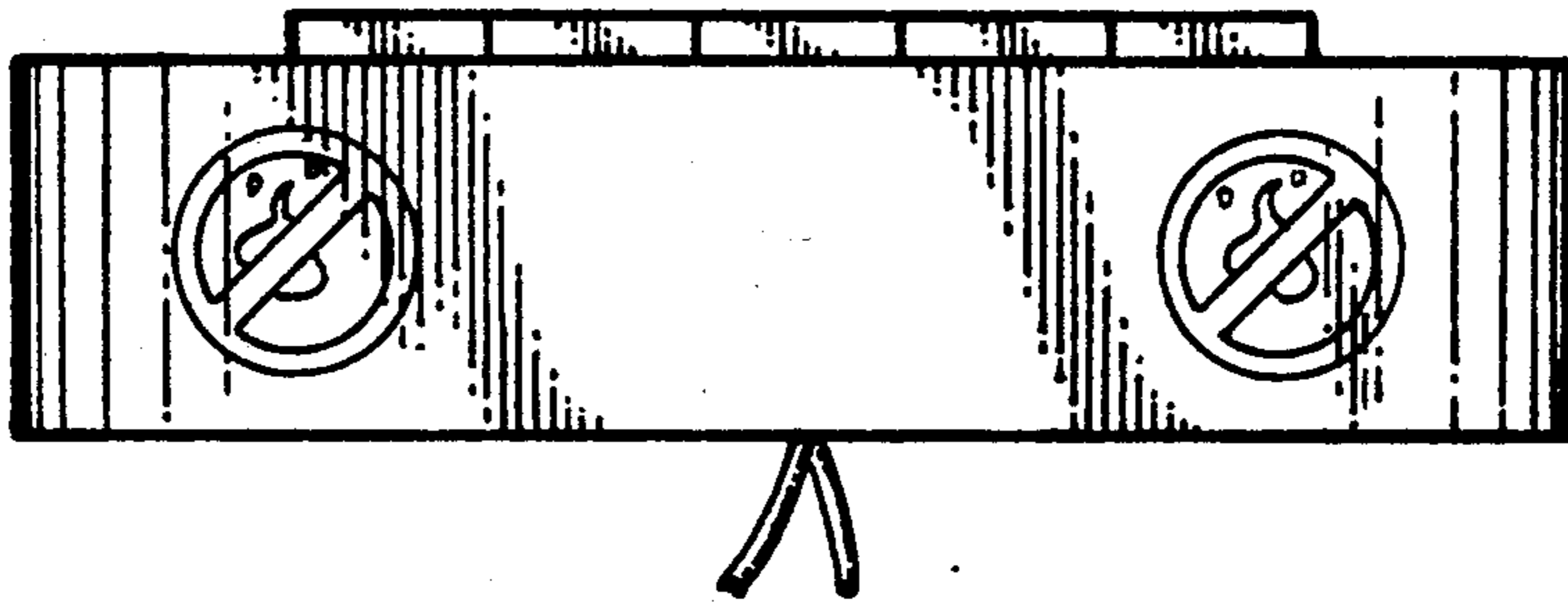


FIG. 7

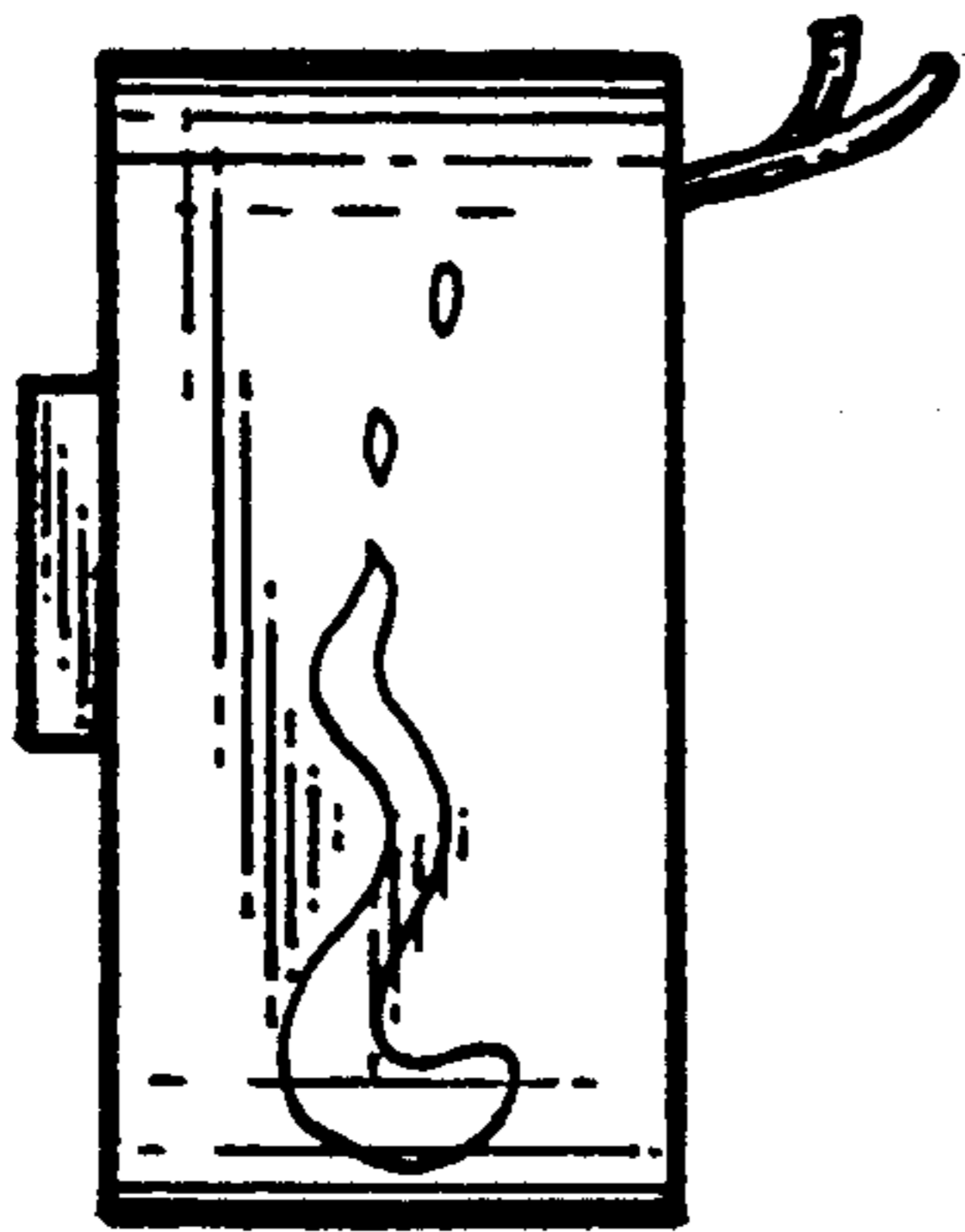


FIG. 4

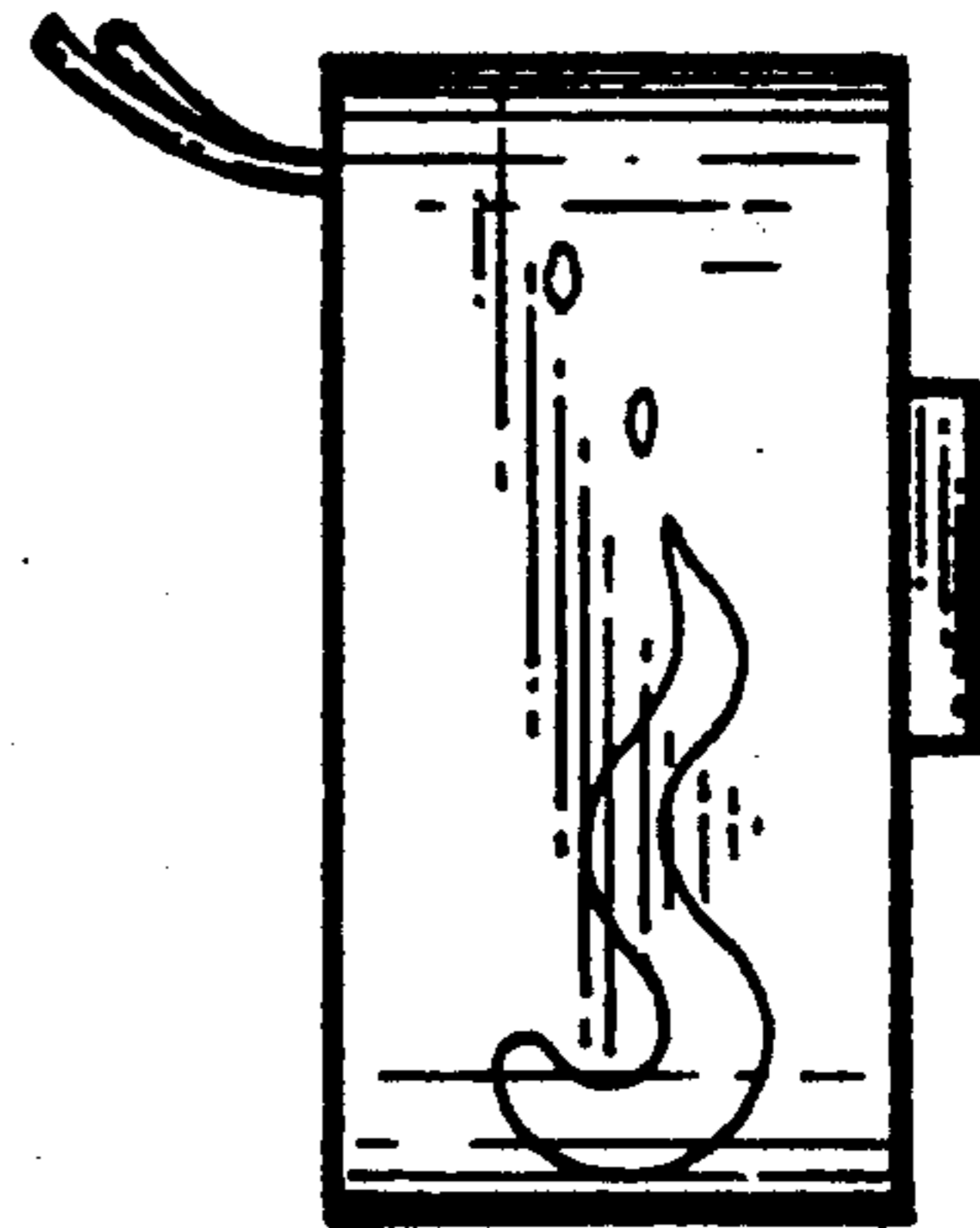


FIG. 5

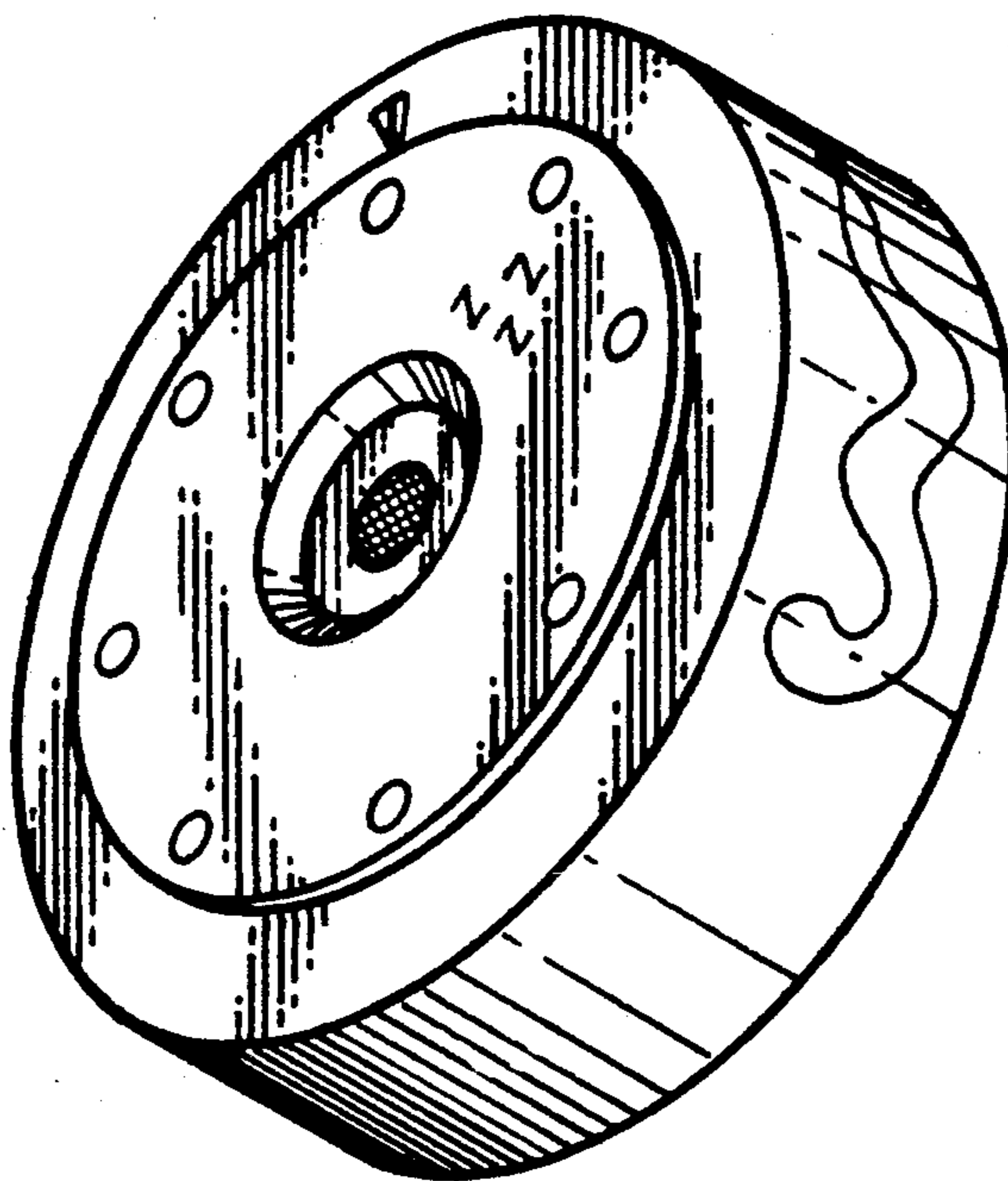


FIG. 8