



US00D333790S

United States Patent [19]
Cunningham

[11] **Patent Number: Des. 333,790**
[45] **Date of Patent: ** Mar. 9, 1993**

[54] **CLOCK**

[75] **Inventor: Timothy F. Cunningham, Spokane, Wash.**

[73] **Assignee: B. Sirius Toys, Inc., Millville, N.J.**

[**] **Term: 14 Years**

[21] **Appl. No.: 518,194**

[22] **Filed: May 3, 1990**

[52] **U.S. Cl. D10/2; D10/15; D10/20; D10/22**

[58] **Field of Search D10/1-40, D10/122-132; 368/10, 11, 82-84, 239-242, 276-277, 280-282, 285**

[56] **References Cited**

U.S. PATENT DOCUMENTS

D. 146,208	1/1947	Basso	D10/20
D. 150,081	6/1948	Mandel	D10/20 X
D. 166,388	4/1952	Glorieux	D10/20
D. 247,551	3/1978	Lieberman	D10/15
D. 256,891	9/1980	Diskin	D10/15
D. 278,889	5/1985	McCain	D10/15
3,875,736	4/1975	Gulko	D10/15 X
4,423,965	1/1984	Muller	368/78

OTHER PUBLICATIONS

Hong Kong Enterprise—Jul. 1988—p. 246—clock at top—right.

Swiss Watch & Jewelry Journal—Mar. 1976—p. 166—clock at top.

Hong Kong Enterprise—Jul. 1988—p. 117.

Home Furn. Daily—Mar. 26, 1984—p. 92—clock at bottom-right.

Primary Examiner—Nelson C. Holtje
Attorney, Agent, or Firm—Wells, St. John, Roberts, Gregory & Matkin

[57] **CLAIM**

The ornamental design for a clock, as shown and described.

DESCRIPTION

FIG. 1 is a top and right front perspective view of a clock showing my new design;

FIG. 2 is a top at right rear perspective view thereof;

FIG. 3 is a top plan view thereof, the bottom, not shown, is plain and unornamented;

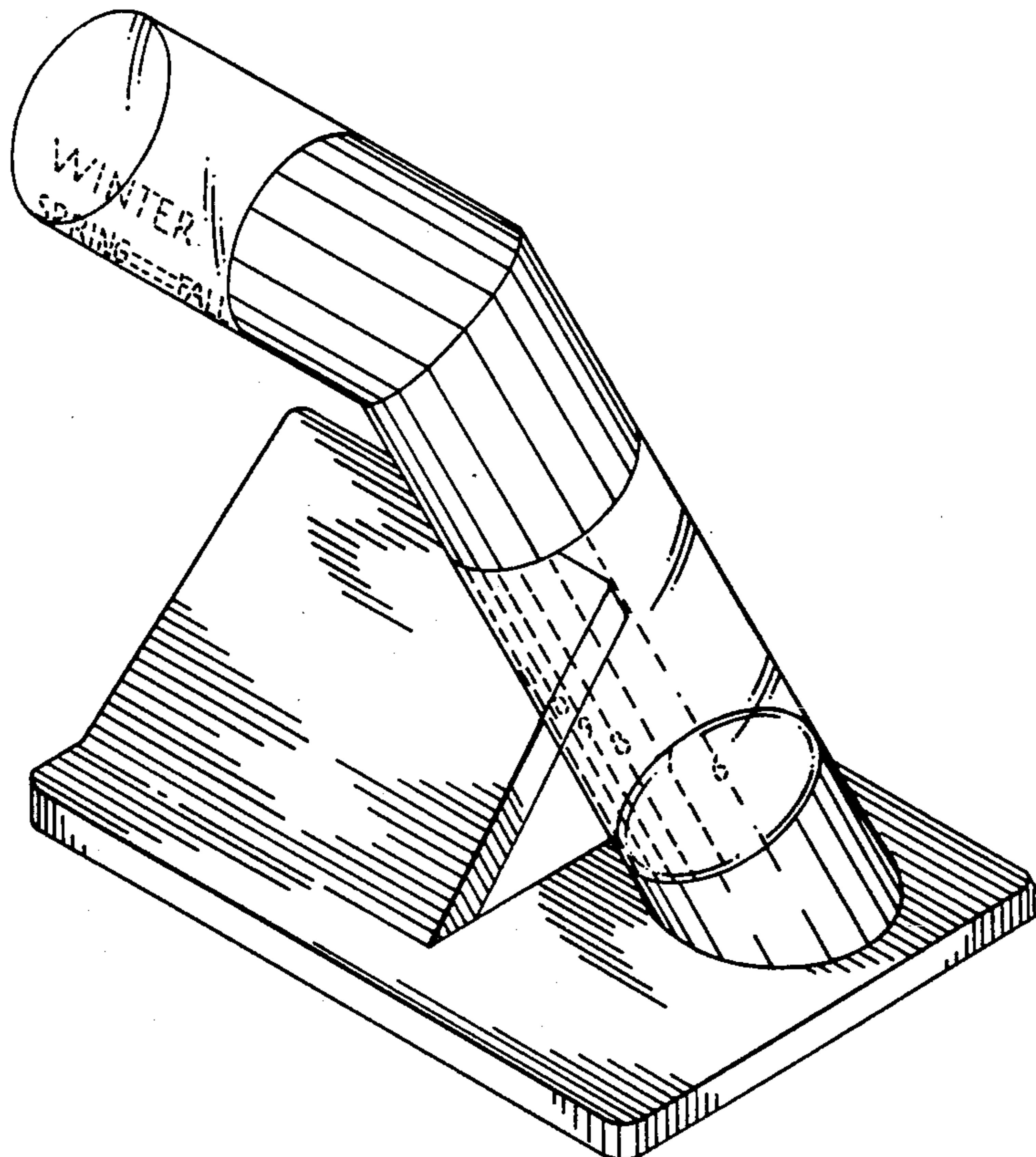
FIG. 4 is a right side elevational view thereof;

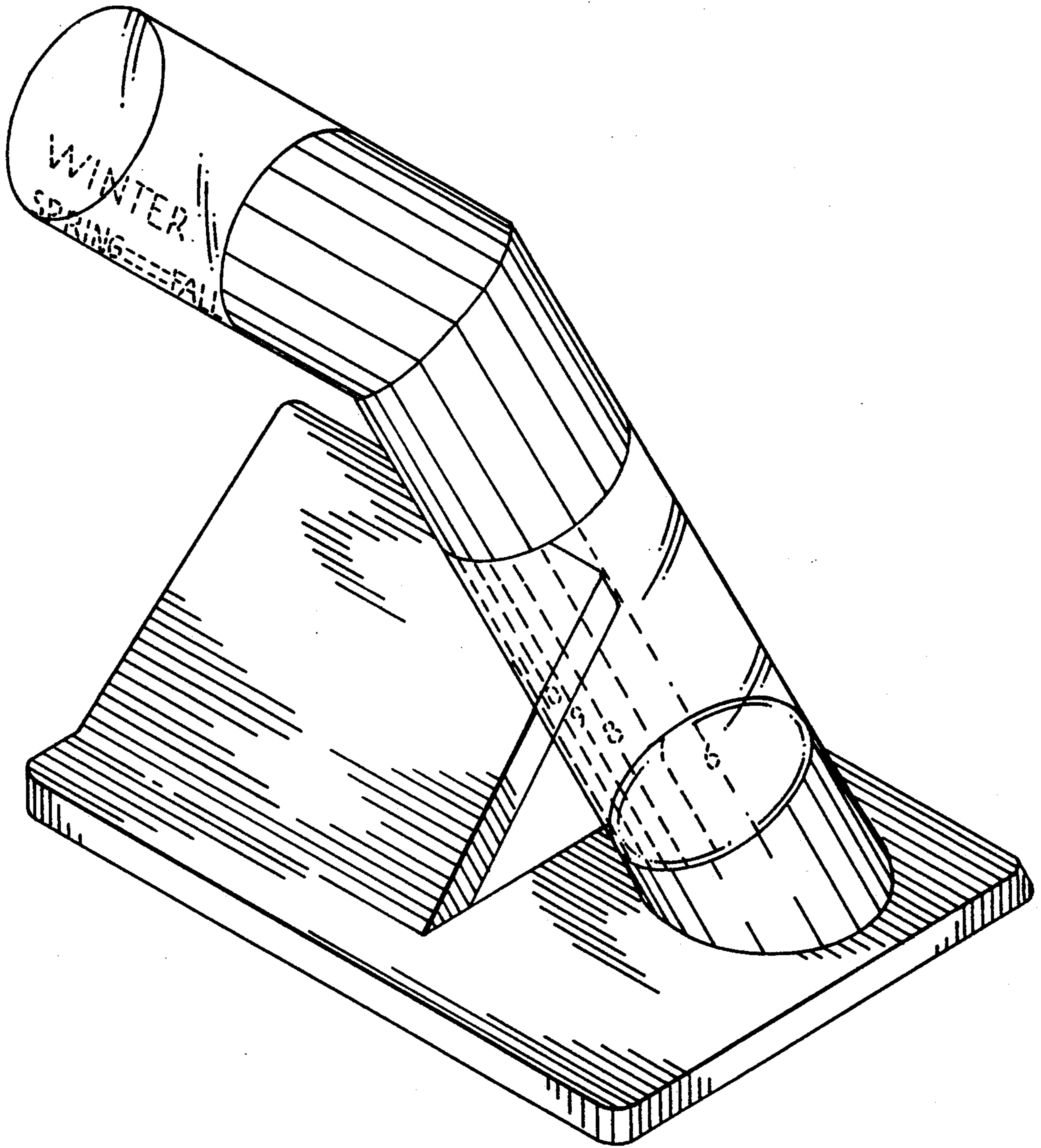
FIG. 5 is a left side elevational view thereof;

FIG. 6 is a front elevational view thereof; and,

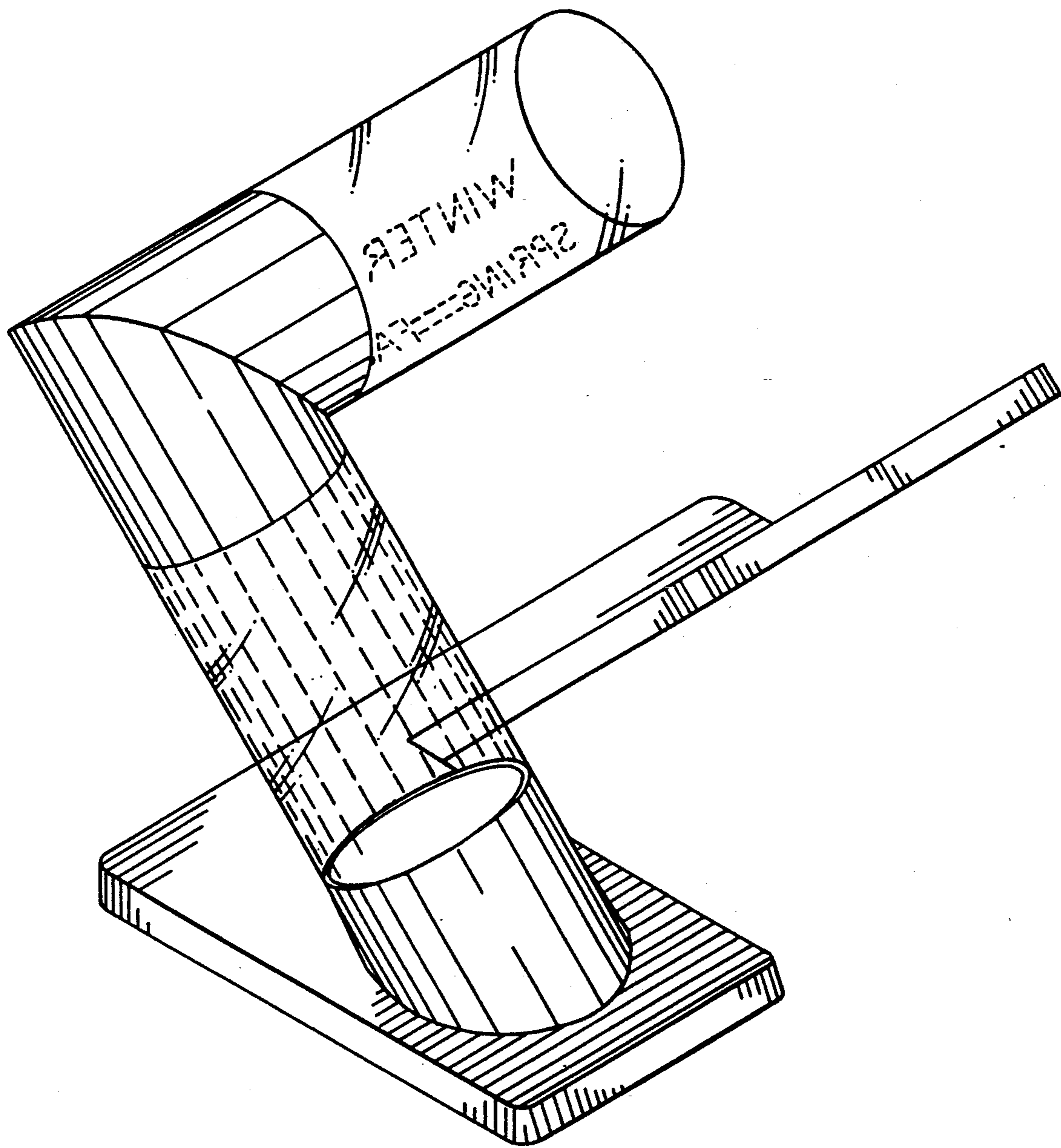
FIG. 7 is a rear elevational view thereof.

The broken line showing of time increment indicia is environmental only and forms no part of the claimed design.





1154



15072

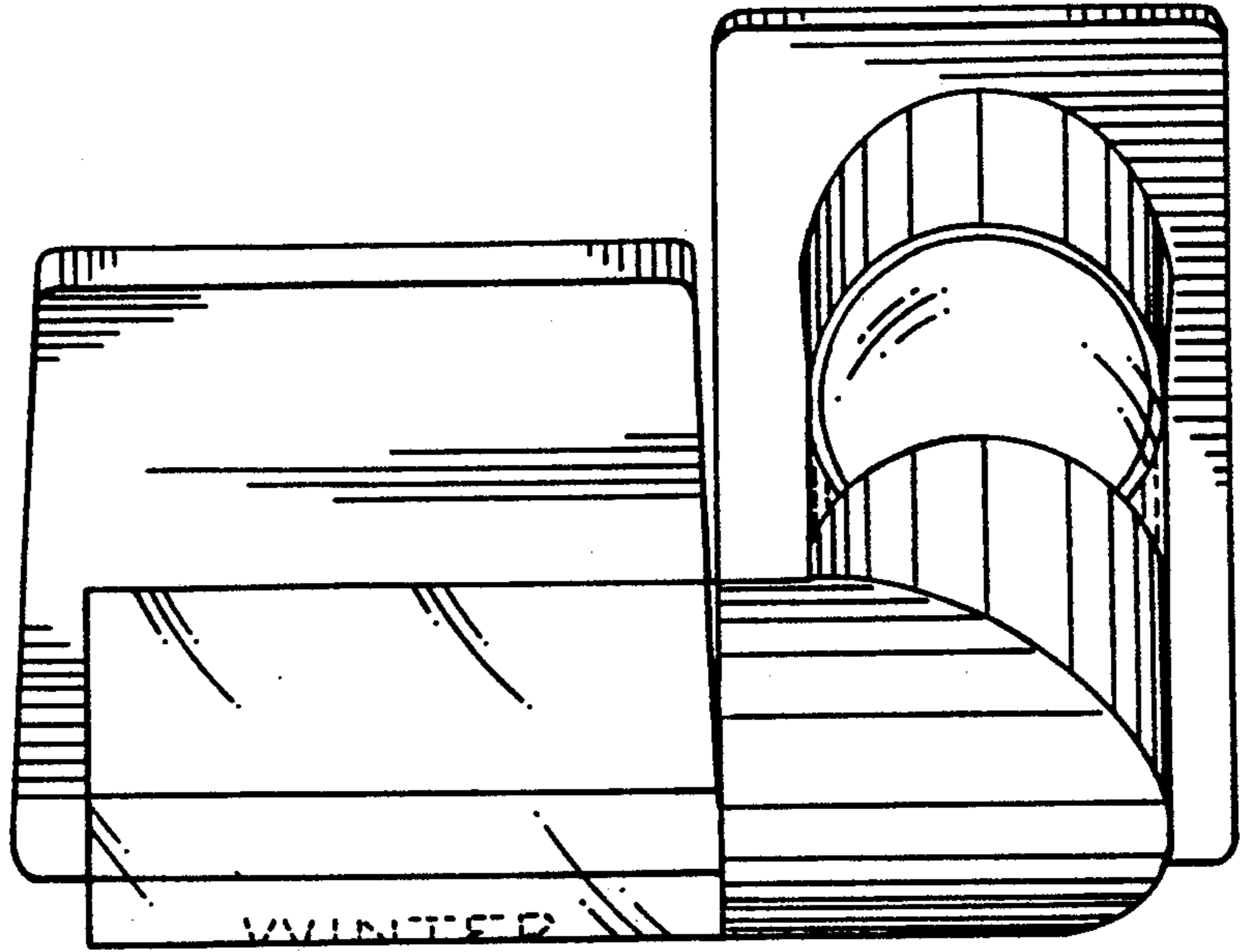


FIG 3

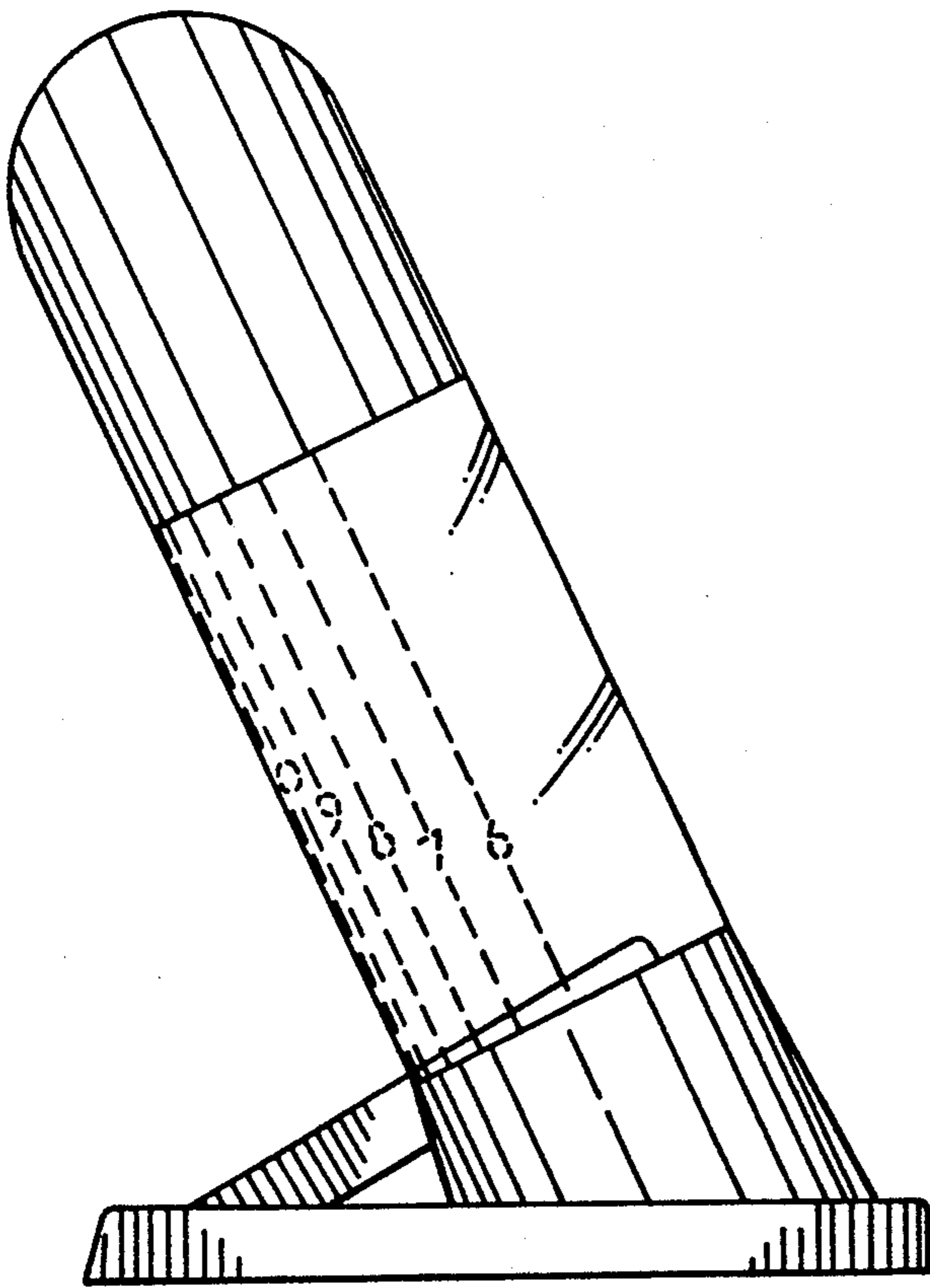


FIG 4

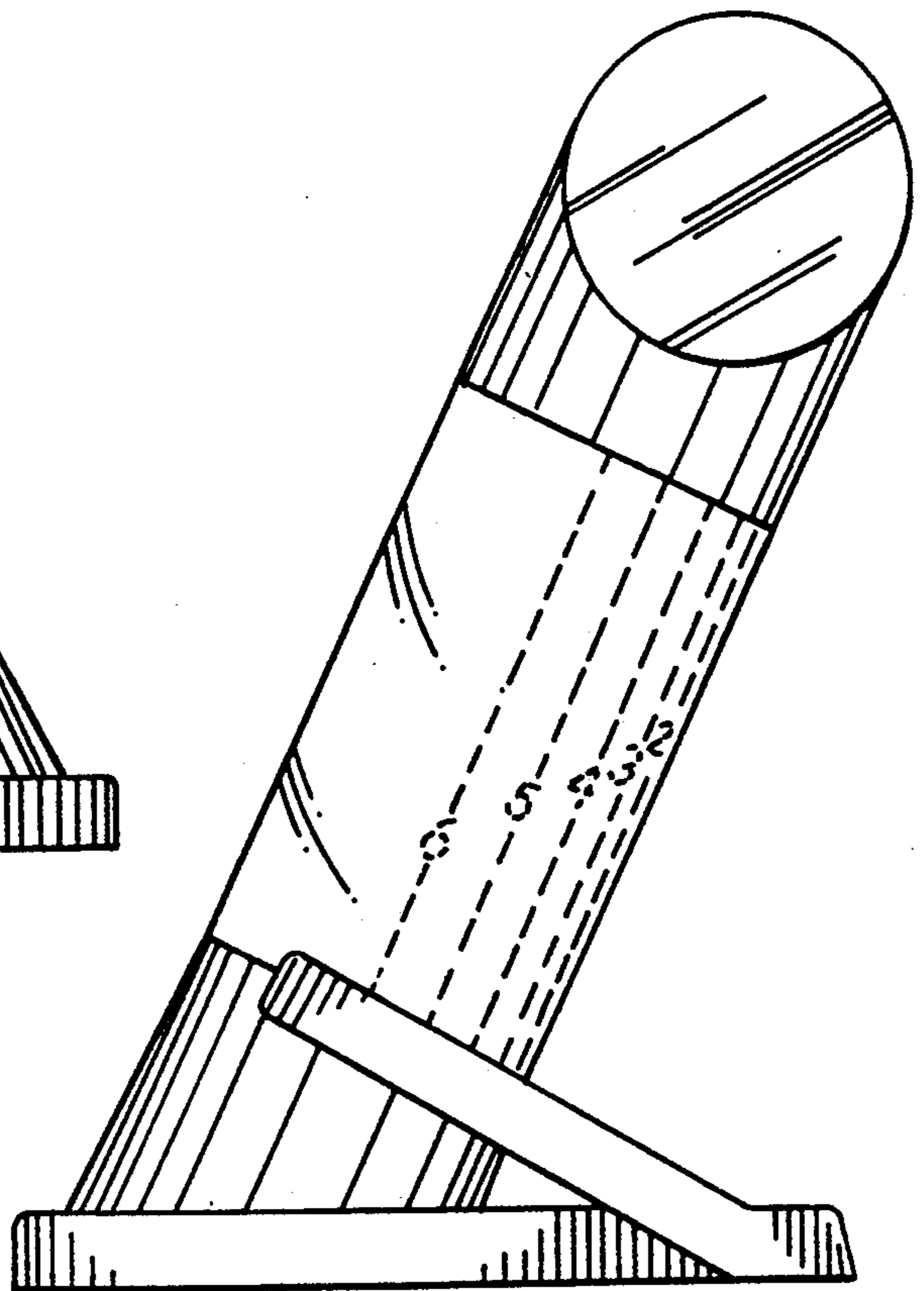


FIG 5

