



US00D333783S

United States Patent [19]
Perugini

[11] **Patent Number: Des. 333,783**
[45] **Date of Patent: ** Mar. 9, 1993**

[54] **SHIPMENT CONTAINER**

[75] **Inventor: Frank Perugini, Aurora, Ill.**

[73] **Assignee: Chemical Waste Management, Inc.,
Oak Brook, Ill.**

[**] **Term: 14 Years**

[21] **Appl. No.: 653,124**

[22] **Filed: Feb. 11, 1991**

[52] **U.S. Cl. D9/424**

[58] **Field of Search D9/424, 425, 429, 432,
D9/414; D34/43, 44, 45; 206/510, 198, 203;
220/1.5, 307, 308, 318, 356, 608, 669, 675, 94 R,
96; D3/73**

[56] **References Cited**

U.S. PATENT DOCUMENTS

D. 251,153 2/1979 Thompson D9/424 X
D. 252,017 6/1979 Dumas D9/424

D. 276,026 10/1984 Hexamer D9/425 X
D. 326,945 6/1992 Howitt D9/424 X
2,181,150 11/1939 Pittenger 220/608 X
5,048,707 9/1991 Hallberg 220/4.21

Primary Examiner—Bernard Ansher
Assistant Examiner—Prabhakar Deshmukh
Attorney, Agent, or Firm—Allegretti & Witcoff, Ltd.

[57] **CLAIM**

The ornamental design for the shipment container, as shown.

DESCRIPTION

FIG. 1 is a perspective view of a shipment container showing my new design;
FIG. 2 is a front elevational view thereof;
FIG. 3 is a top plan view thereof;
FIG. 4 is a right side elevational view thereof;
FIG. 5 is a rear elevational view thereof;
FIG. 6 is a left side elevational view thereof; and,
FIG. 7 is a bottom plan view thereof.

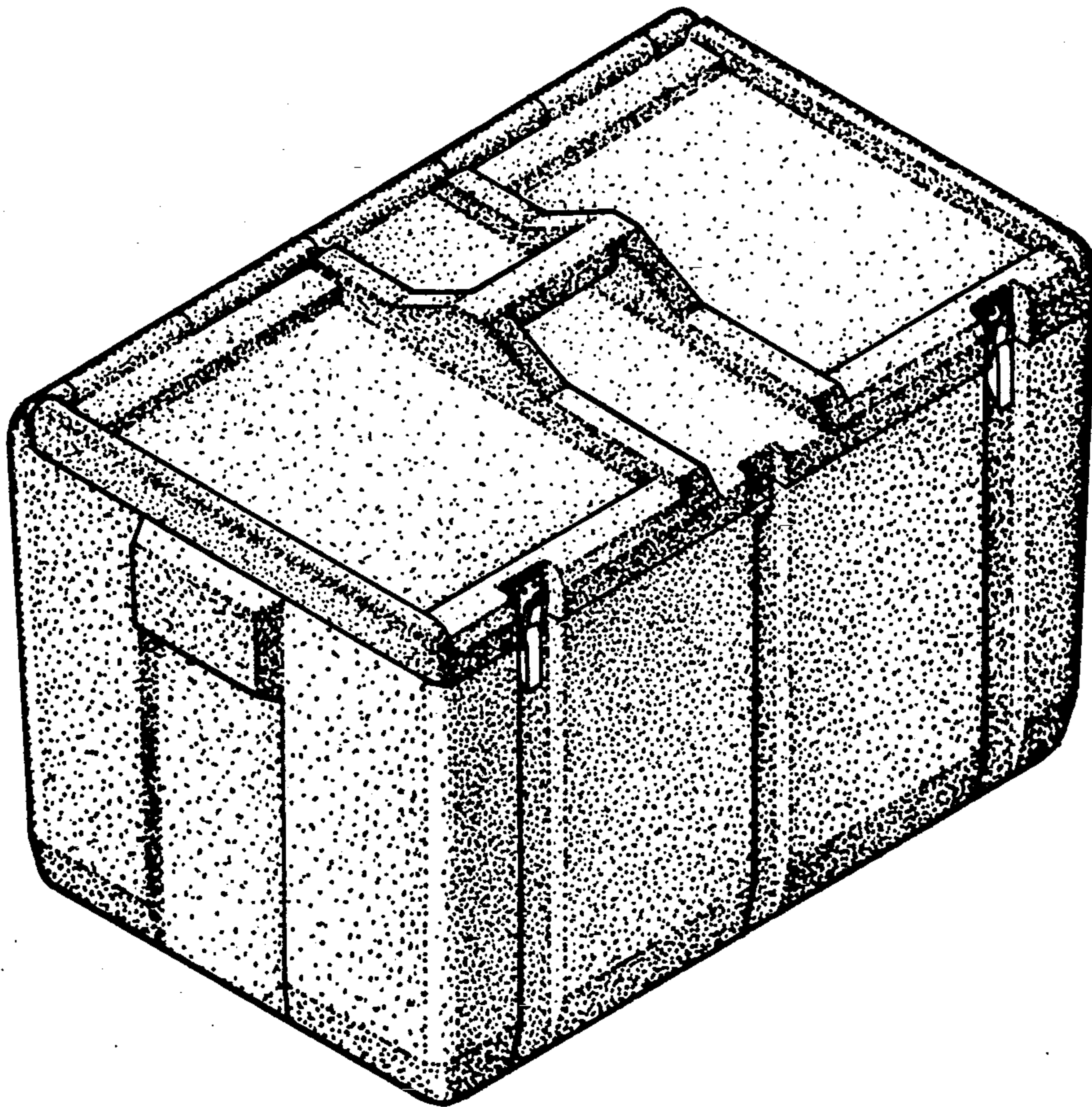


Fig. 1

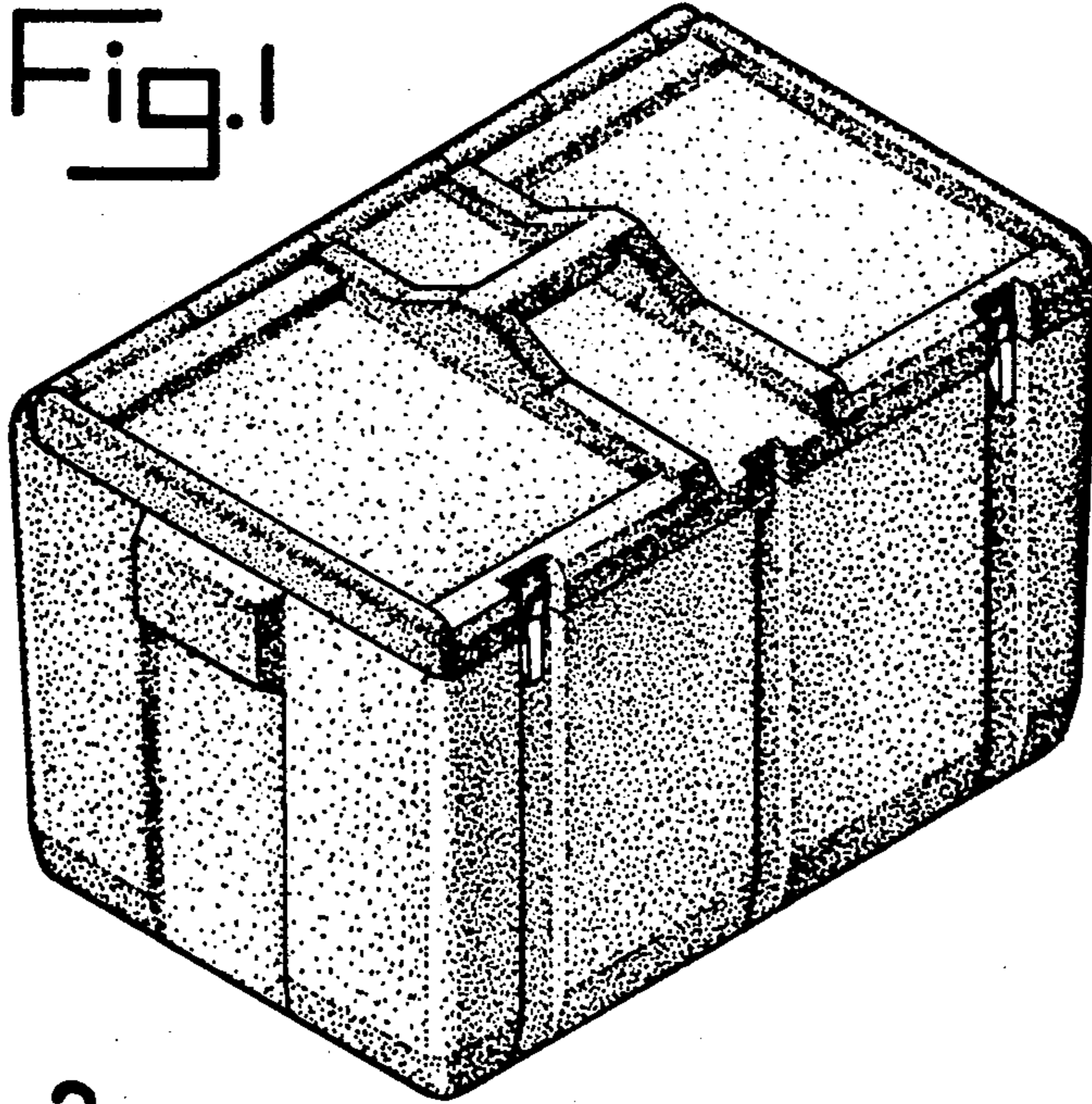


Fig. 2

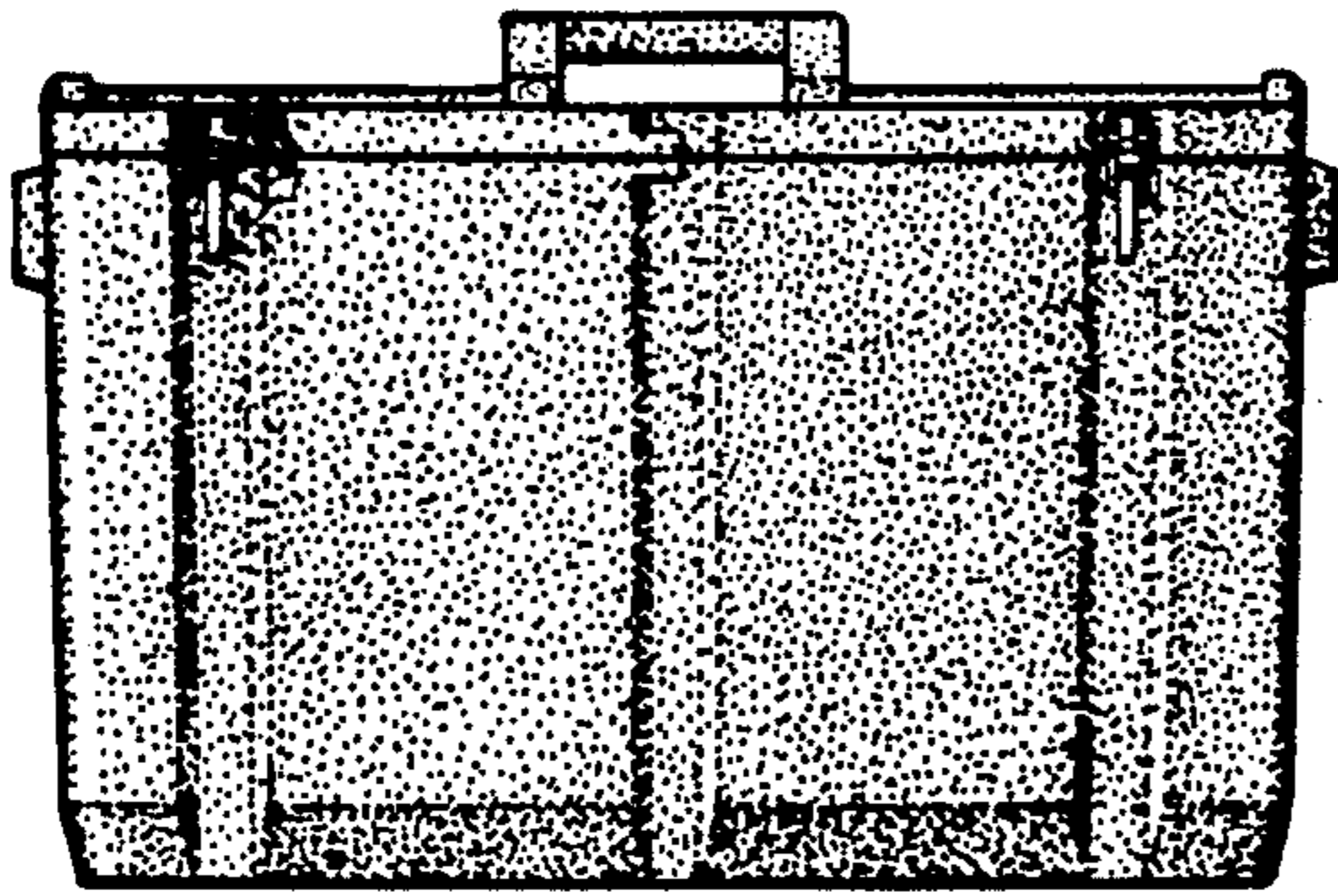


Fig. 3

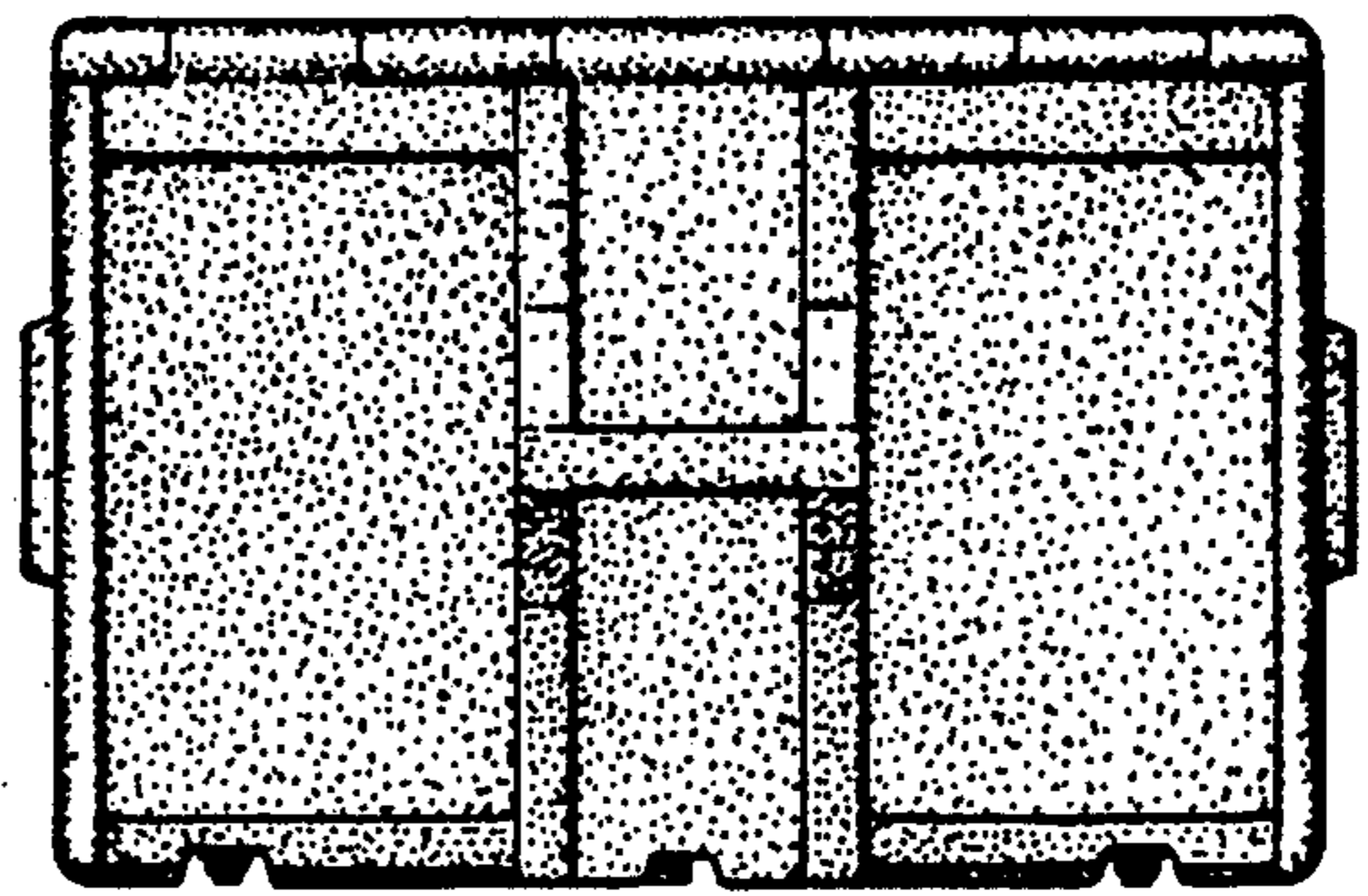


Fig. 4

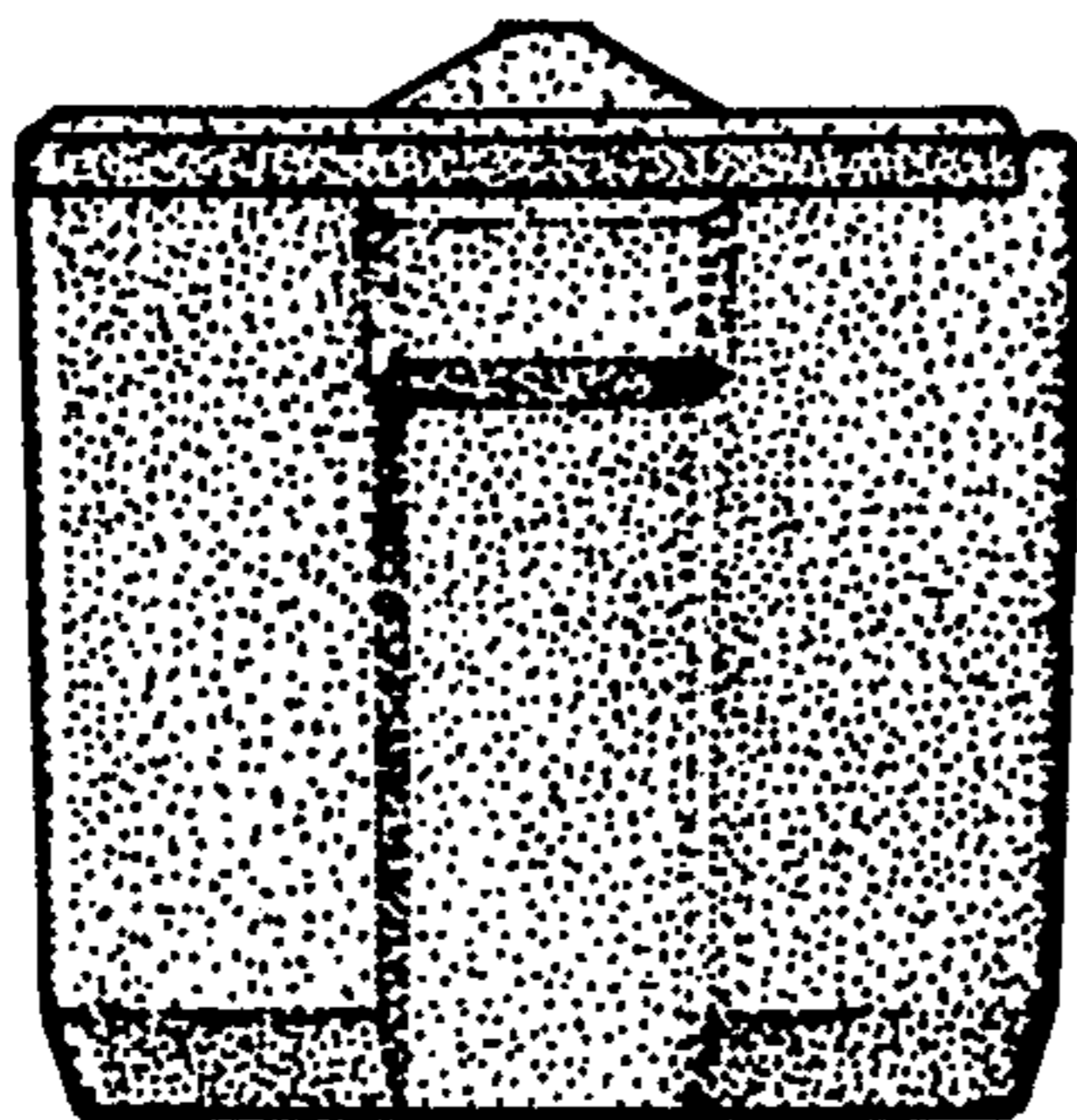


Fig. 5

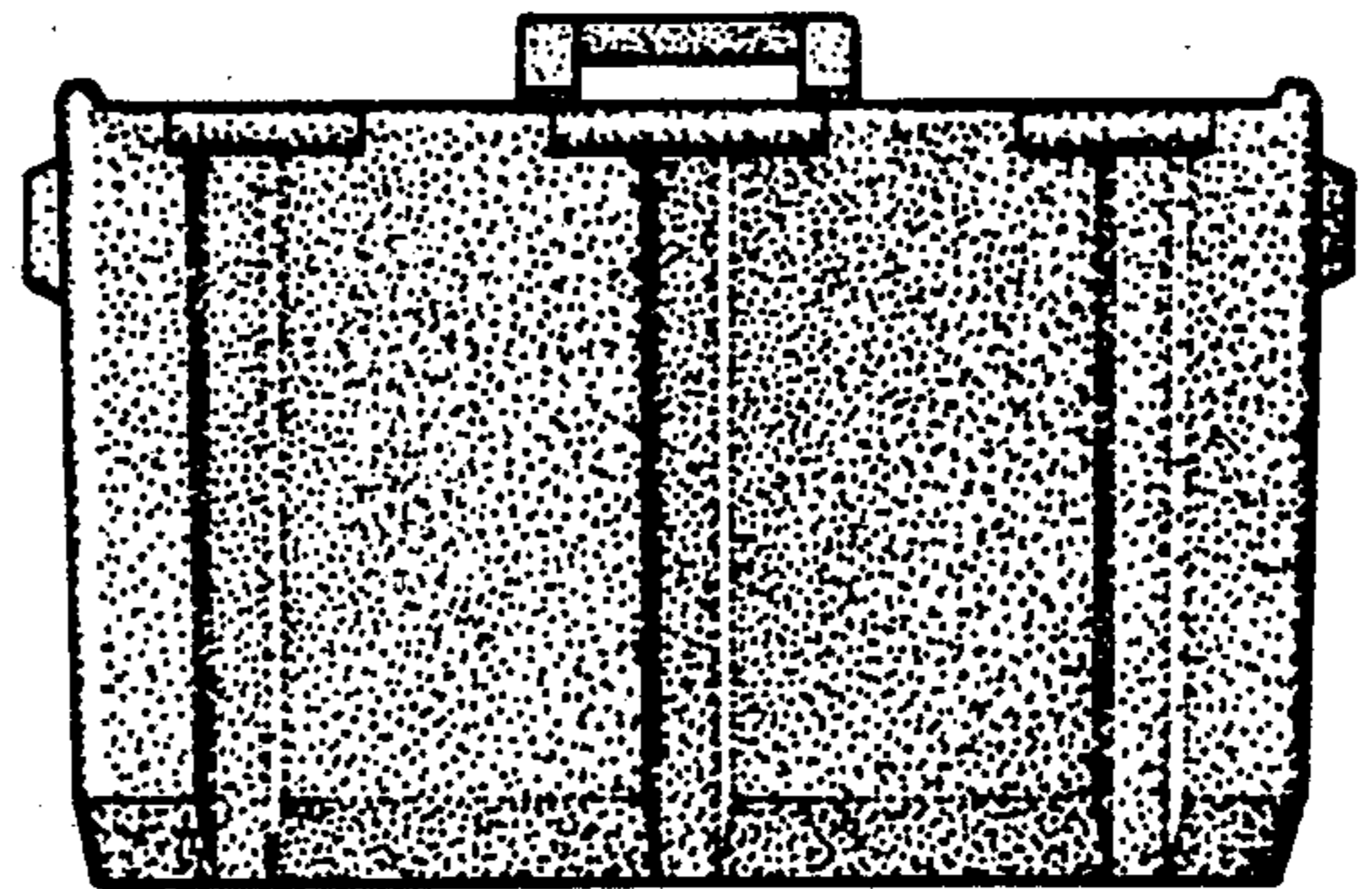


Fig. 6

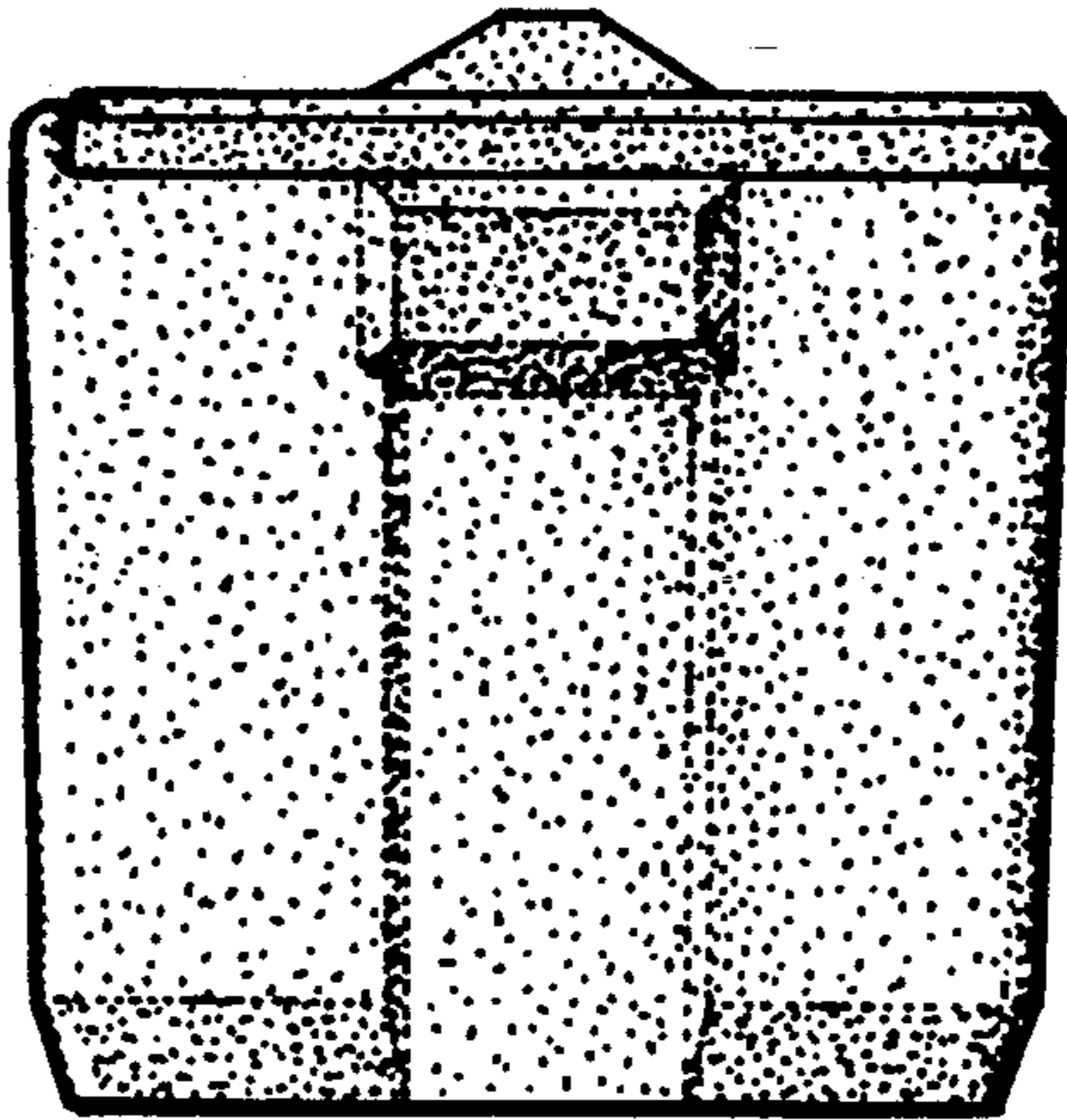


Fig. 7

