



US00D333782S

United States Patent [19]
van Berlo

[11] **Patent Number: Des. 333,782**
[45] **Date of Patent: ** Mar. 9, 1993**

[54] **OVEN**
[75] **Inventor: Adrianus A. J. van Berlo, Eindhoven, Netherlands**
[73] **Assignee: Fri-Jado B.V., Netherlands**
[**] **Term: 14 Years**
[21] **Appl. No.: 659,188**
[22] **Filed: Feb. 21, 1991**

D. 236,792 9/1975 Miyake D7/351
D. 292,863 11/1987 Johansson D7/338
4,781,109 11/1988 Wieke, Jr. et al. 99/467

FOREIGN PATENT DOCUMENTS

50037 8/1982 Canada .

Primary Examiner—Louis S. Zarfaz
Assistant Examiner—Ruth McInroy
Attorney, Agent, or Firm—Ostrolenk, Faber, Gerb & Soffen

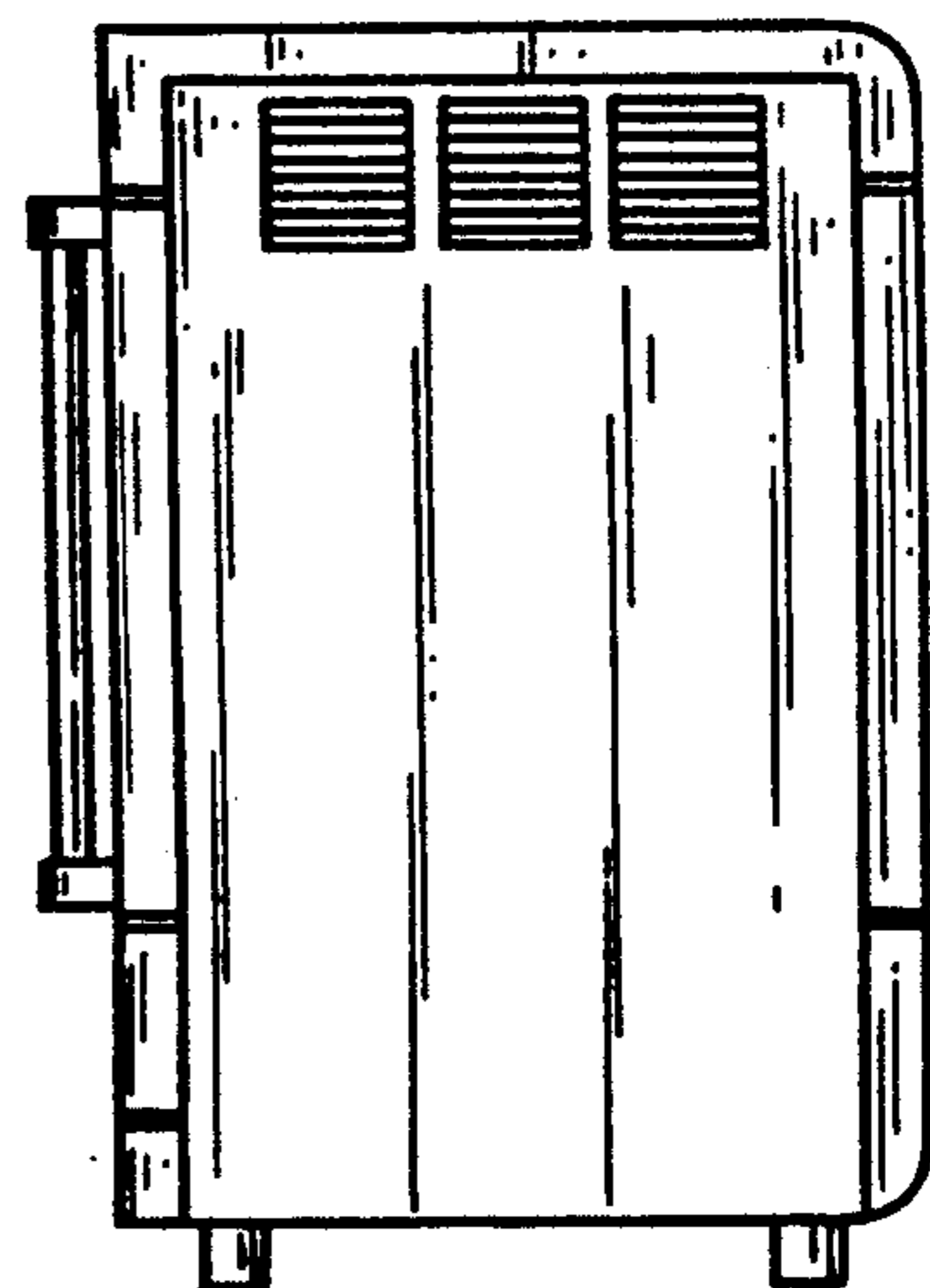
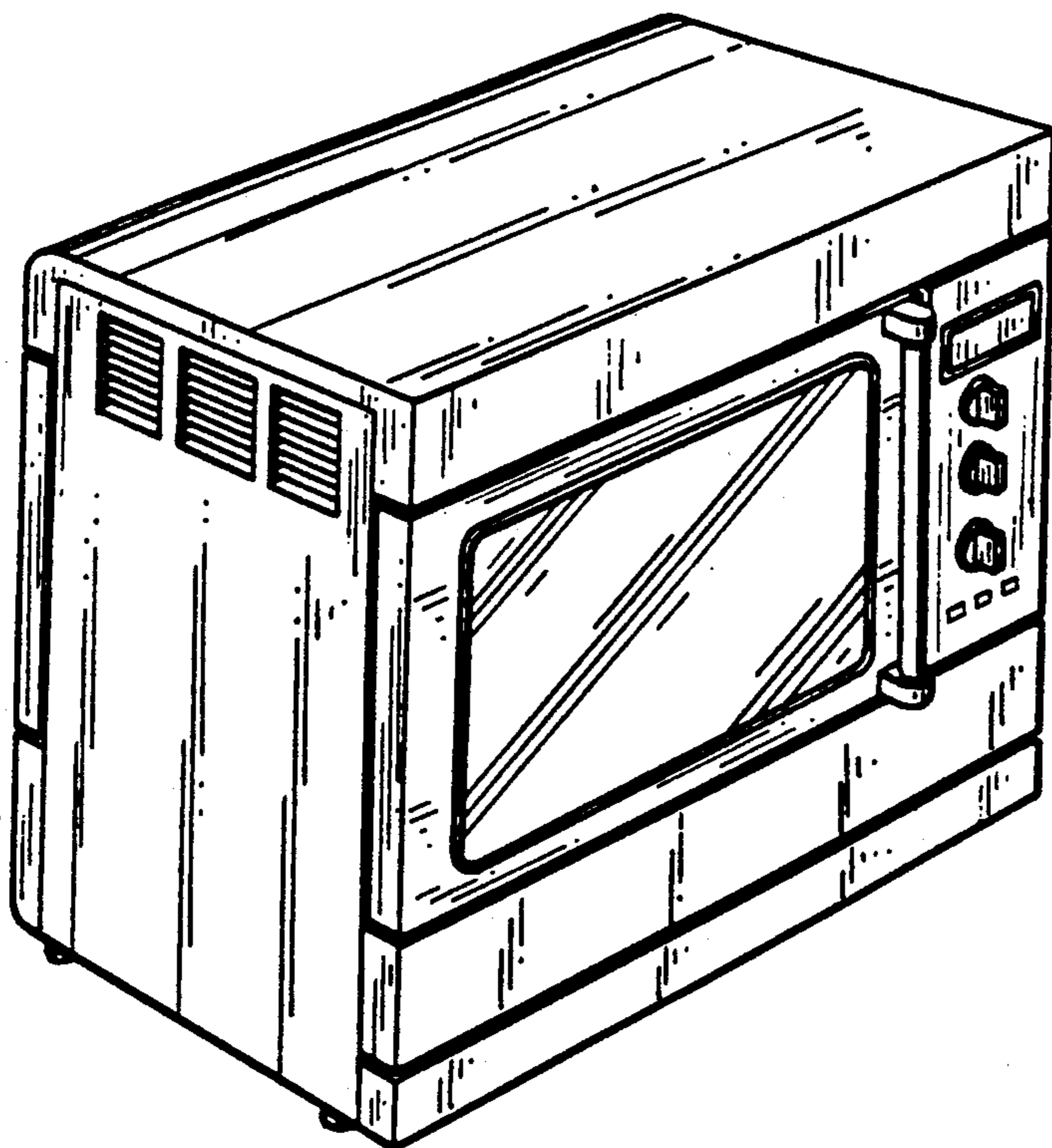
[30] **Foreign Application Priority Data**
Aug. 23, 1990 [IB] Int'l Pat. Institute DM/017453
[52] **U.S. Cl. D7/350**
[58] **Field of Search D7/338, 339, 347-351; 126/19 M, 20, 20.1, 21 A, 273 R, 273 A, 273.5, 274, 275 R, 275 E; 219/386, 391, 400-402, 405, 412, 10.55 R, 10.55 A, 10.55 B, 10.55 C, 10.55 D, 10.55 F; 99/419**

[57] **CLAIM**
The ornamental design for an oven, as shown.

DESCRIPTION

FIG. 1 is a top, front and left side perspective view of a oven showing my new design;
FIG. 2 is a top, rear and left side perspective view thereof;
FIG. 3 is a top plan view thereof;
FIG. 4 is a front elevational view thereof;
FIG. 5 is a bottom plan view thereof;
FIG. 6 is a right side elevational view thereof;
FIG. 7 is a rear elevational view thereof; and,
FIG. 8 is a left side elevational view thereof.

[56] **References Cited**
U.S. PATENT DOCUMENTS
D. 232,800 9/1974 Suganoya et al. D7/351
D. 234,667 4/1975 Linder D7/351
D. 235,408 6/1975 Suganoya et al. D7/351



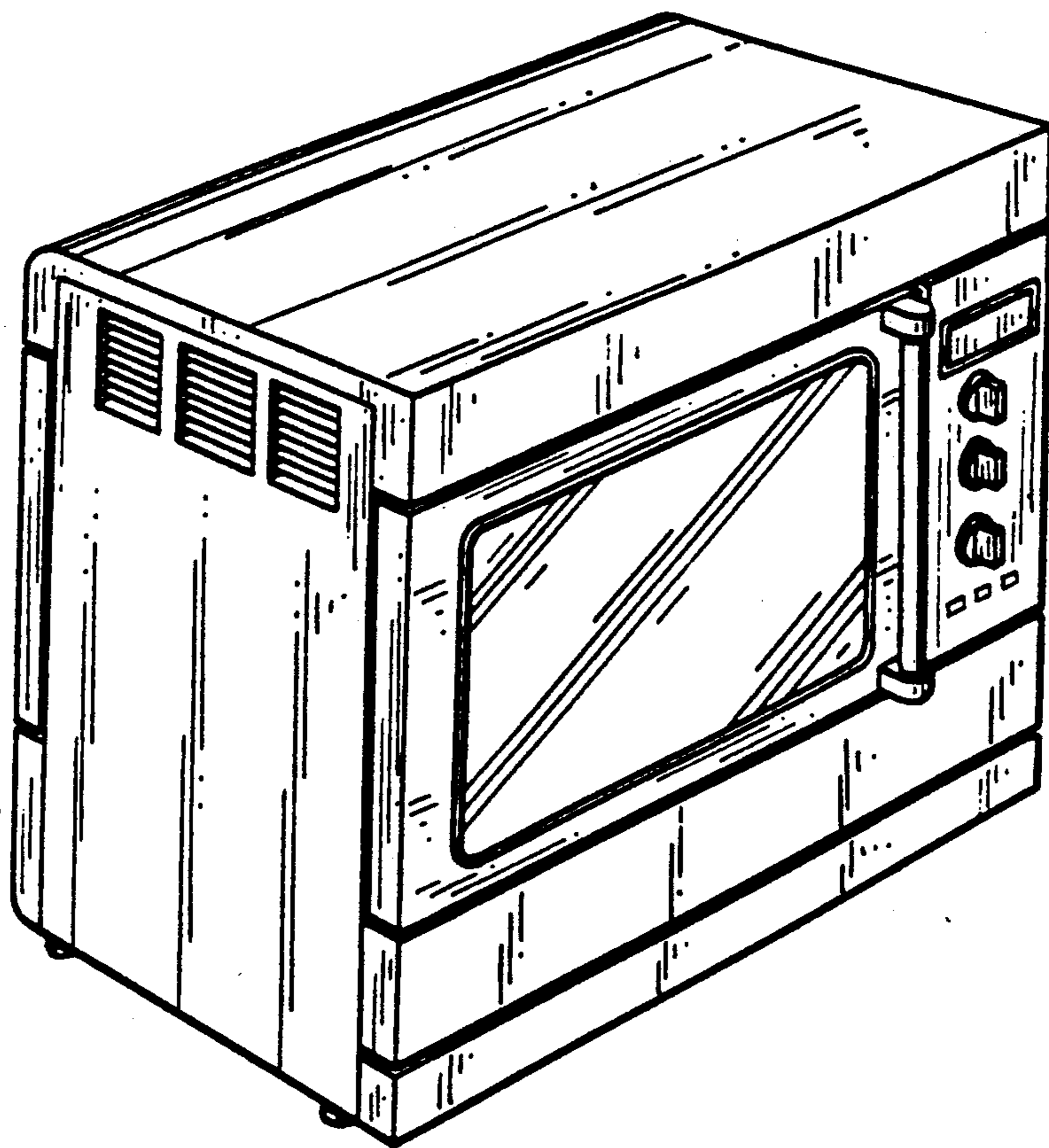


FIG. 1.

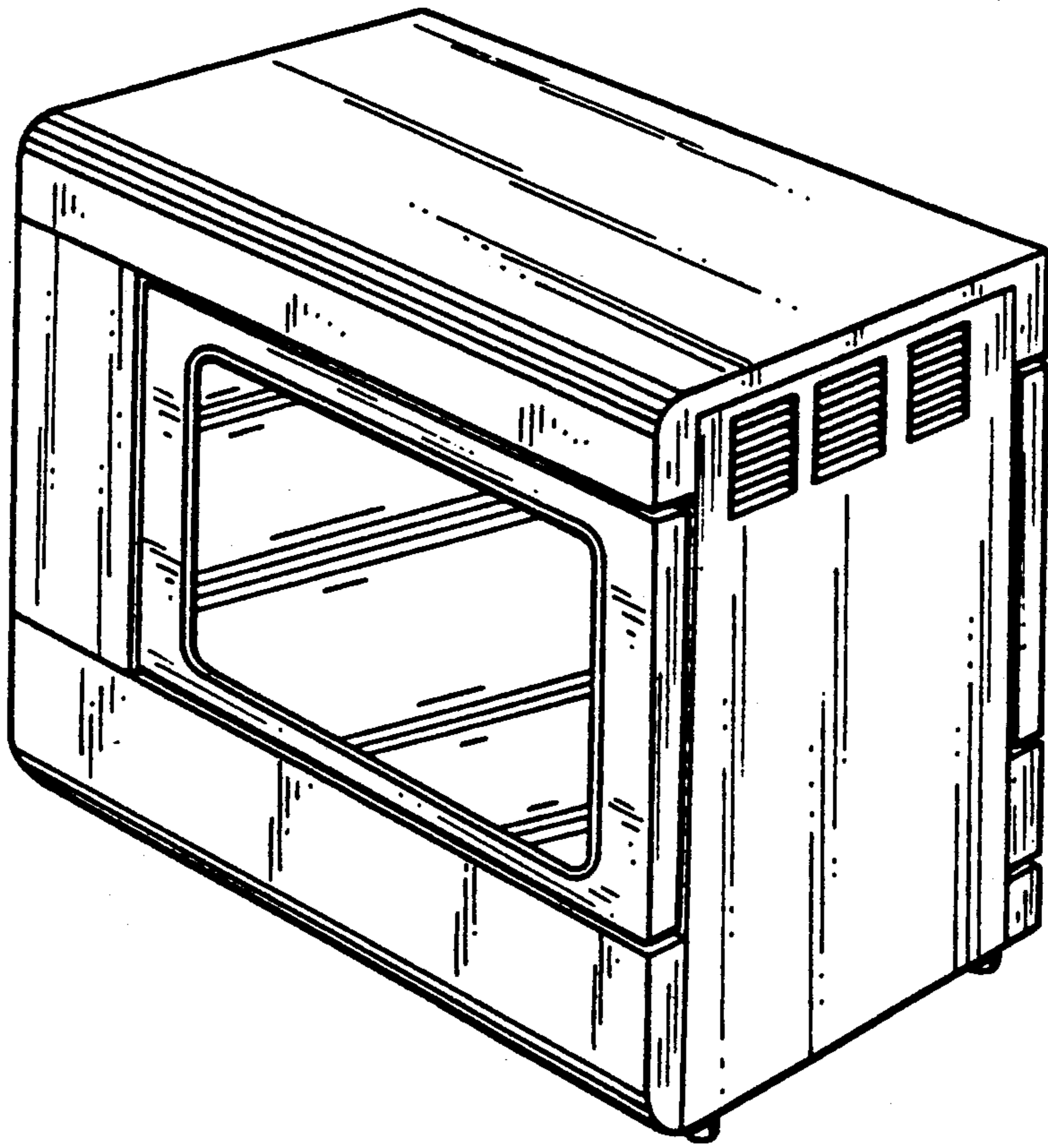


FIG. 2.

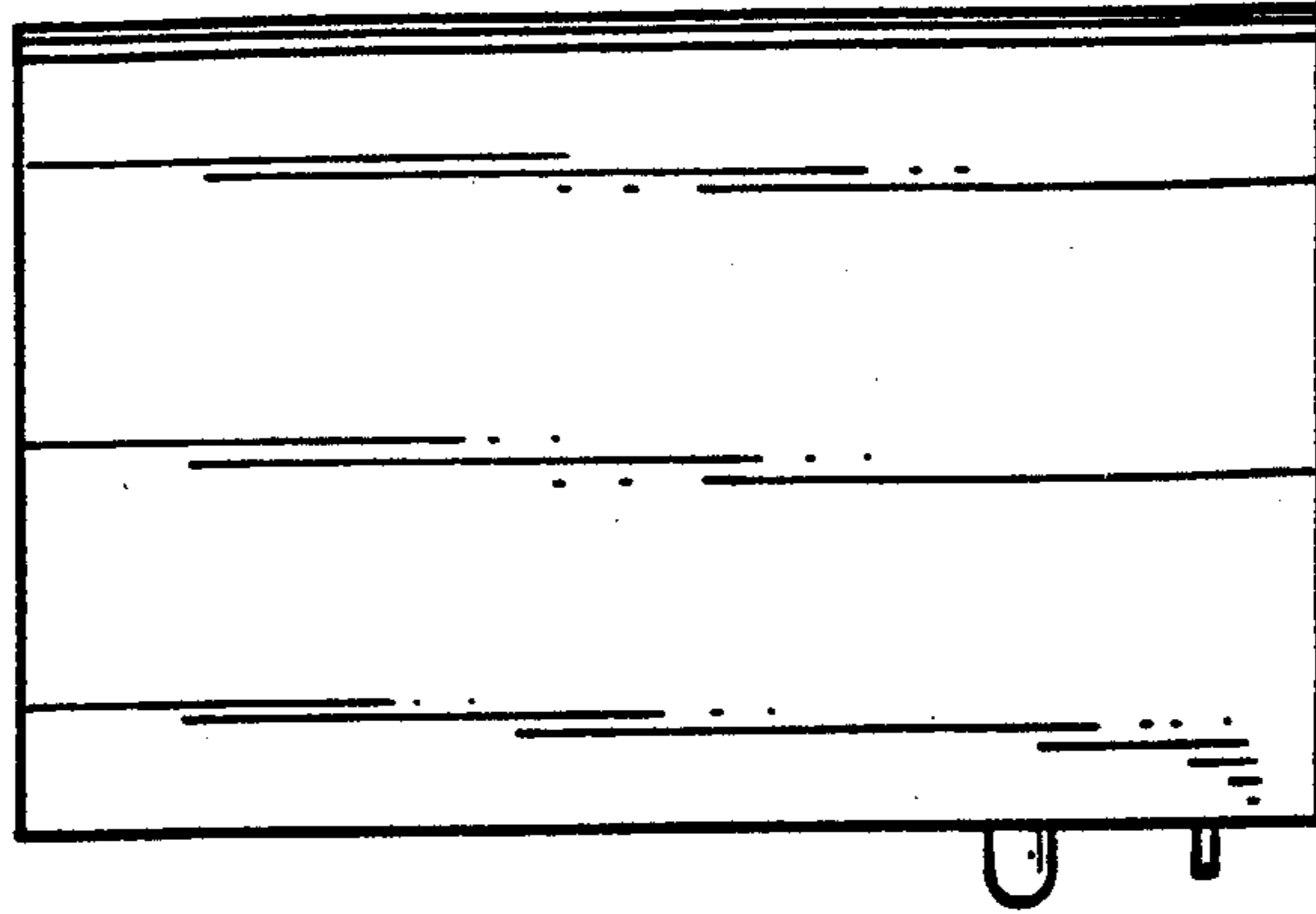


FIG. 3.

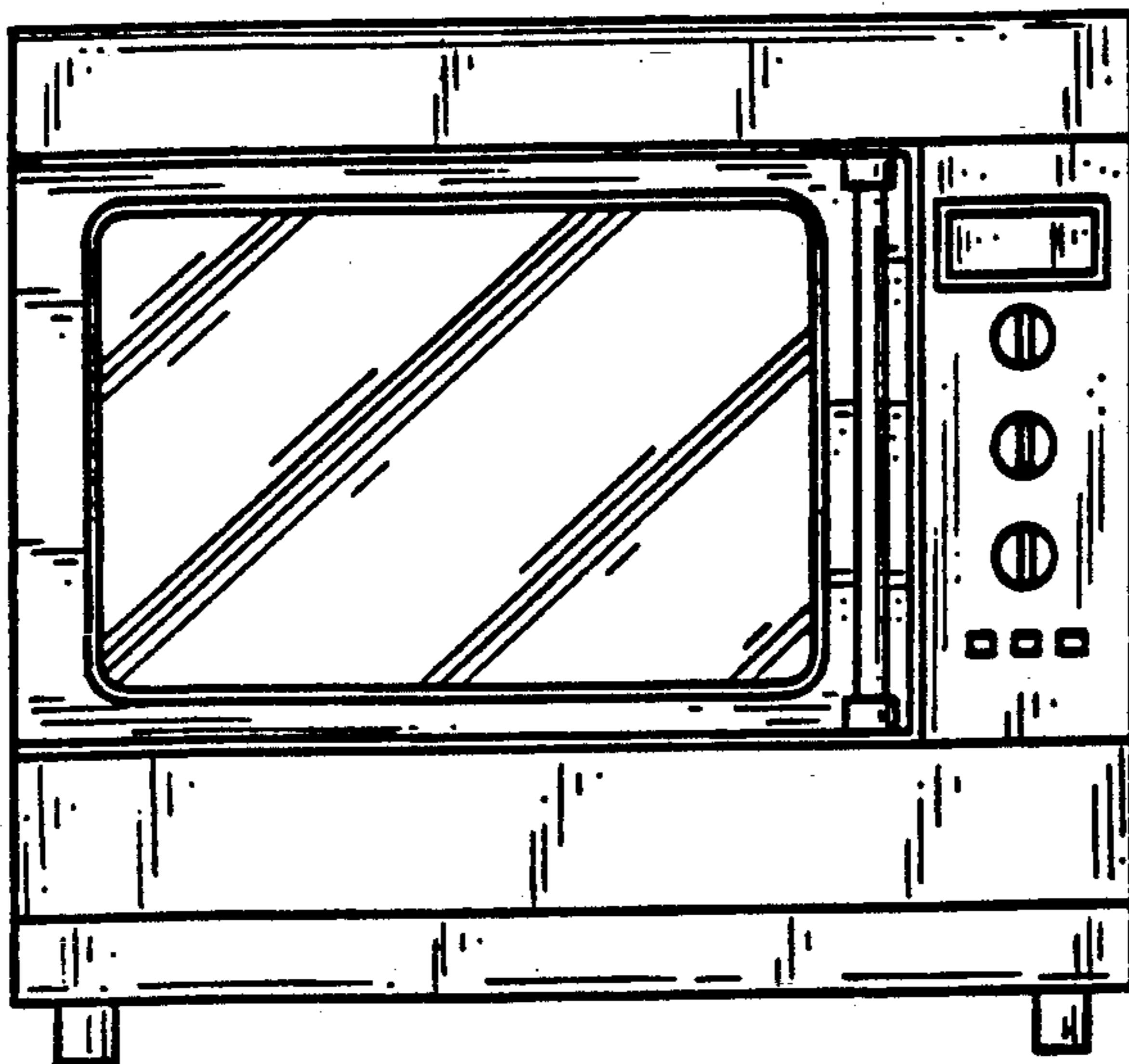


FIG. 4.

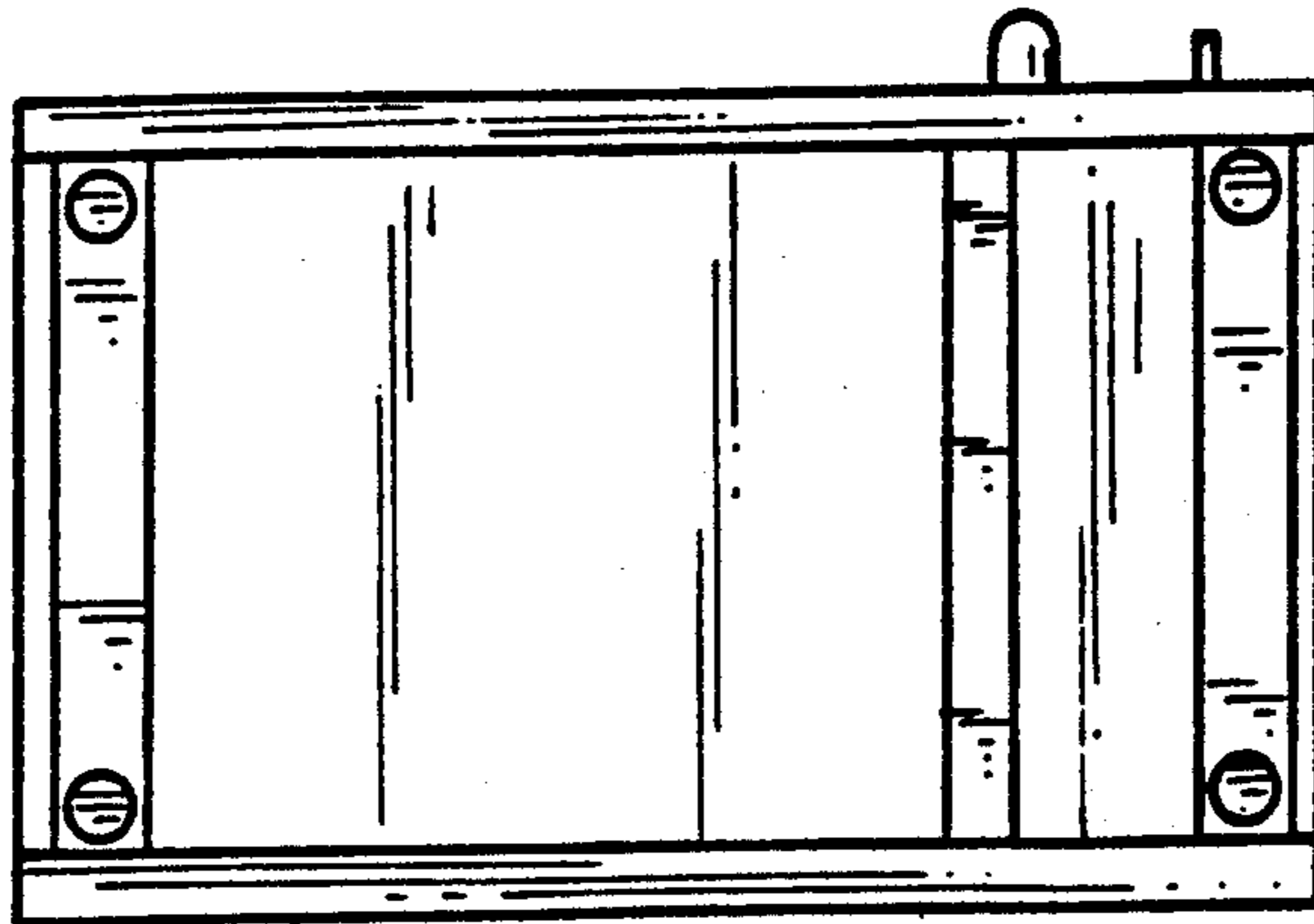


FIG. 5.

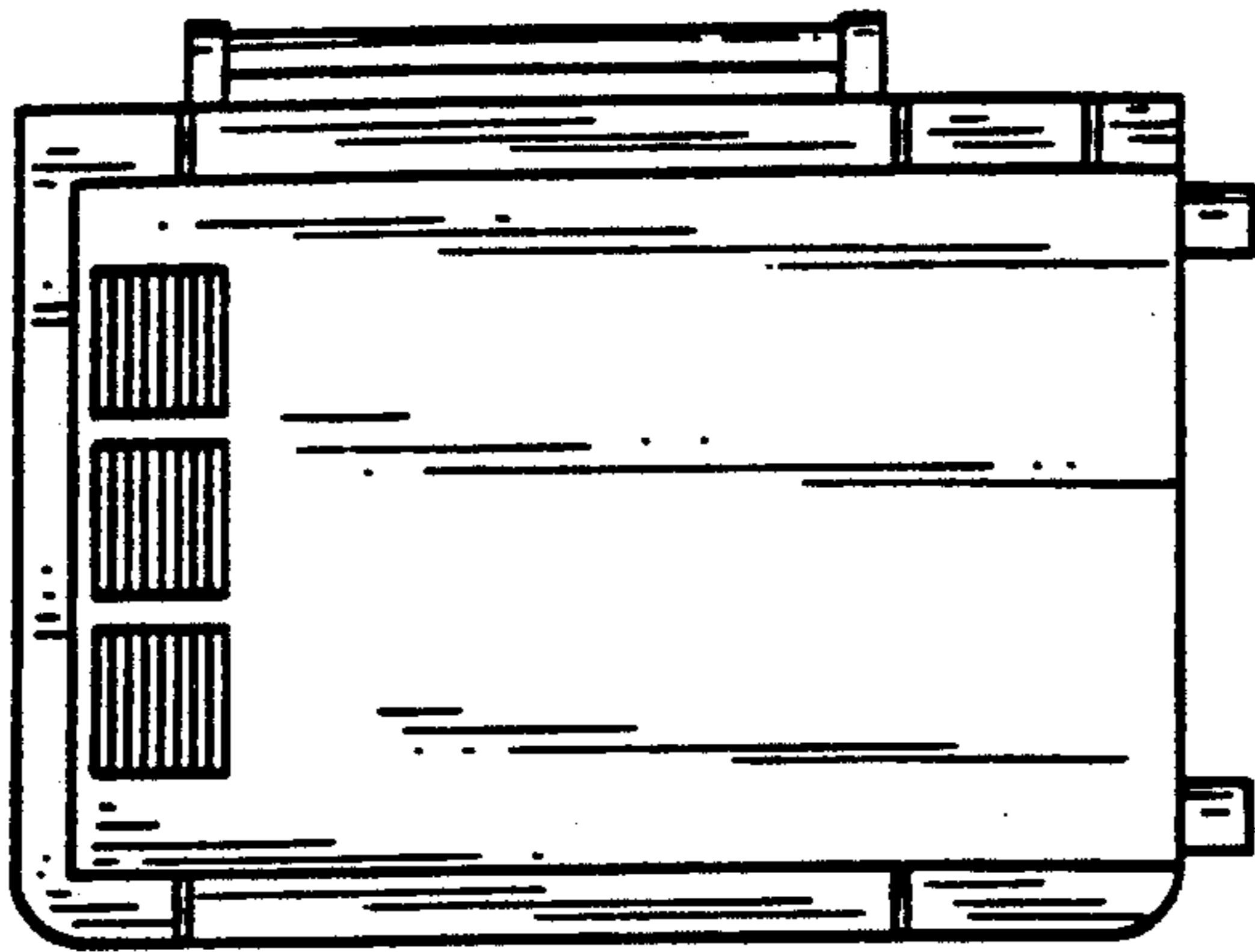


Fig. 8.

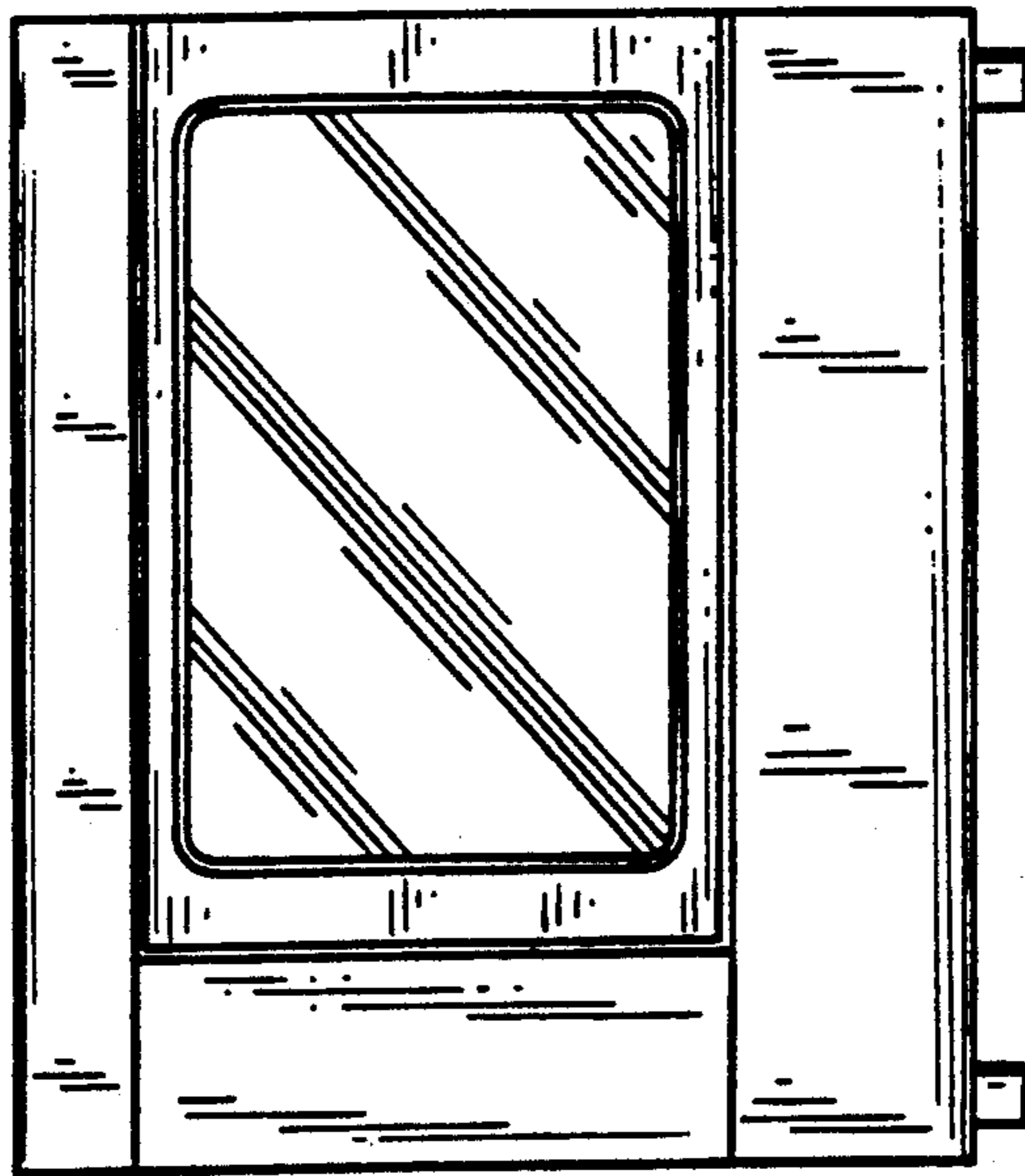


Fig. 9.

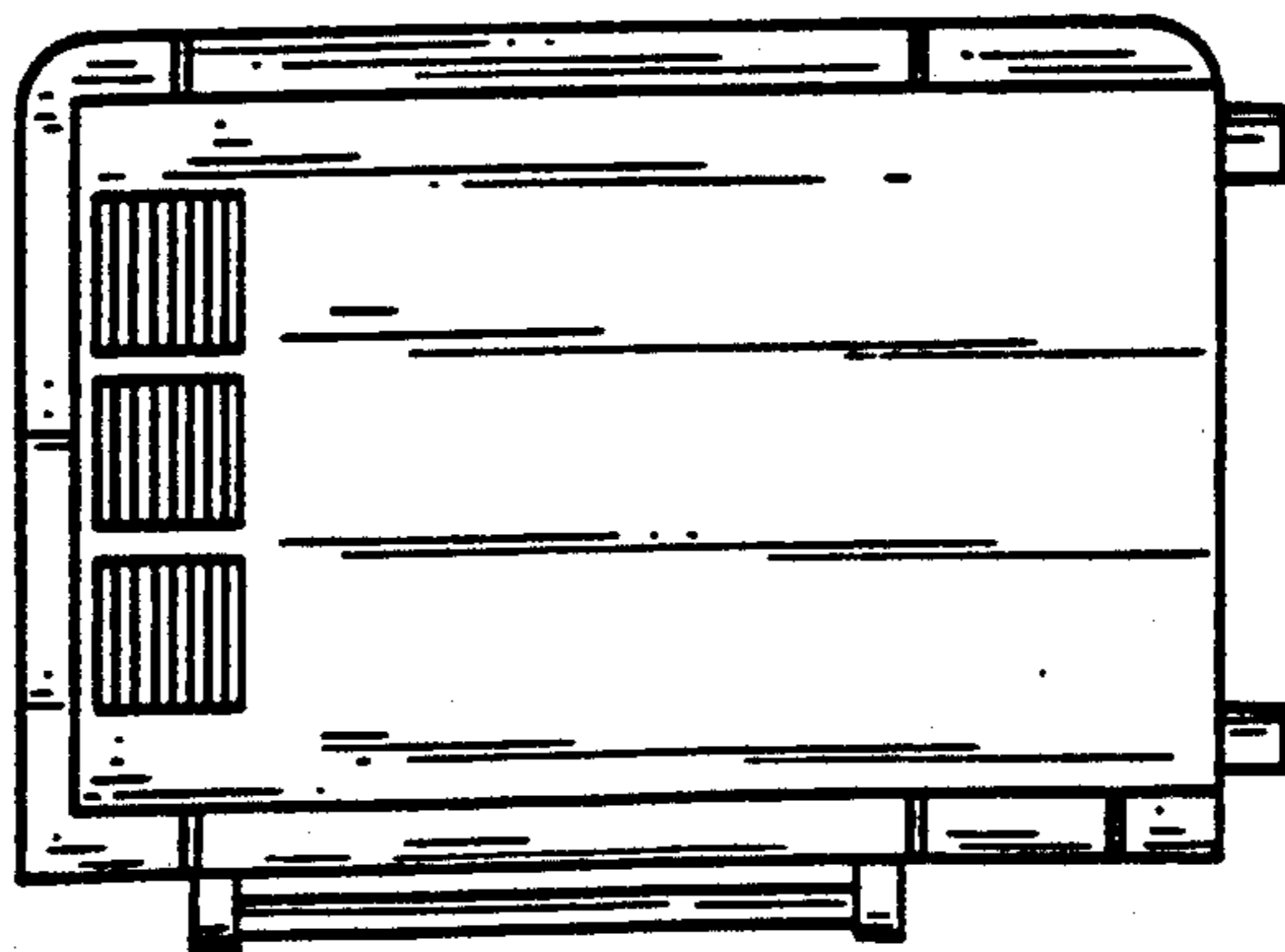


Fig. 10.