



US00D333781S

United States Patent [19]

[11] **Patent Number: Des. 333,781**

Kobel

[45] **Date of Patent: ** Mar. 9, 1993**

[54] **DISPENSING CARTON**

[75] **Inventor: Carolyn B. Kobel, Hamburg, N.Y.**

[73] **Assignee: Bristol-Myers Squibb Company, New York, N.Y.**

[**] **Term: 14 Years**

[21] **Appl. No.: 676,237**

[22] **Filed: Mar. 28, 1991**

[52] **U.S. Cl. D9/339; D9/416**

[58] **Field of Search D9/338, 416, 418, 430-433; D6/515-522; 229/164; 221/305**

[56] **References Cited**

U.S. PATENT DOCUMENTS

Re. 23,670	6/1953	Curri van .	
D. 94,062	12/1934	Wilsdon .	
D. 168,294	12/1952	Fort .	
D. 253,993	1/1980	Roccaforte	D9/176
D. 257,718	12/1980	Dutcher	D9/432
D. 262,357	12/1981	Kohler	D9/433
D. 269,068	5/1983	Mann	D9/416
D. 274,407	6/1984	Rosenburg	D9/418
D. 297,415	8/1988	Gavin et al.	D9/416
D. 308,146	5/1990	Speaker	D6/515
D. 309,262	7/1990	Coiner	D9/418
D. 321,134	10/1991	Toinet	D9/416 X
902,347	10/1908	Tillinghast	221/305
2,552,643	5/1951	Mulnix	229/164 X
4,109,849	8/1978	Wood .	
4,364,509	12/1982	Holly, Jr. et al.	221/305
4,416,410	11/1983	Herrmann	229/164 X
4,602,735	7/1986	Aaron .	

FOREIGN PATENT DOCUMENTS

874828 7/1971 Canada 206/526

Primary Examiner—Bernard Ansher
Assistant Examiner—Mitchell Siegel
Attorney, Agent, or Firm—Jones, Tullar & Cooper

[57] **CLAIM**

The ornamental design for a dispensing carton, as shown and described.

DESCRIPTION

FIG. 1 is a front perspective view of the dispensing carton showing my new design;
 FIG. 2 is a front elevational view thereof;
 FIG. 3 is a left side elevational view, the opposite side being identical;
 FIG. 4 is a rear elevational view thereof;
 FIG. 5 is a top plan view thereof with the cover flaps closed;
 FIG. 6 is a bottom plan view thereof with the bottom flaps closed;
 FIG. 7 is a fragmentary front perspective view of the bottom portion of the dispensing carton with tear flap removed shown for clarity of illustration;
 FIG. 8 is a bottom front perspective view of the dispensing carton thereof;
 FIG. 9 is a top plan view of the dispensing carton with cover flaps open;
 FIG. 10 is a bottom plan view thereof; and,
 FIG. 11 is a top plan view of a blank for a dispensing carton shown for clarity of illustration.

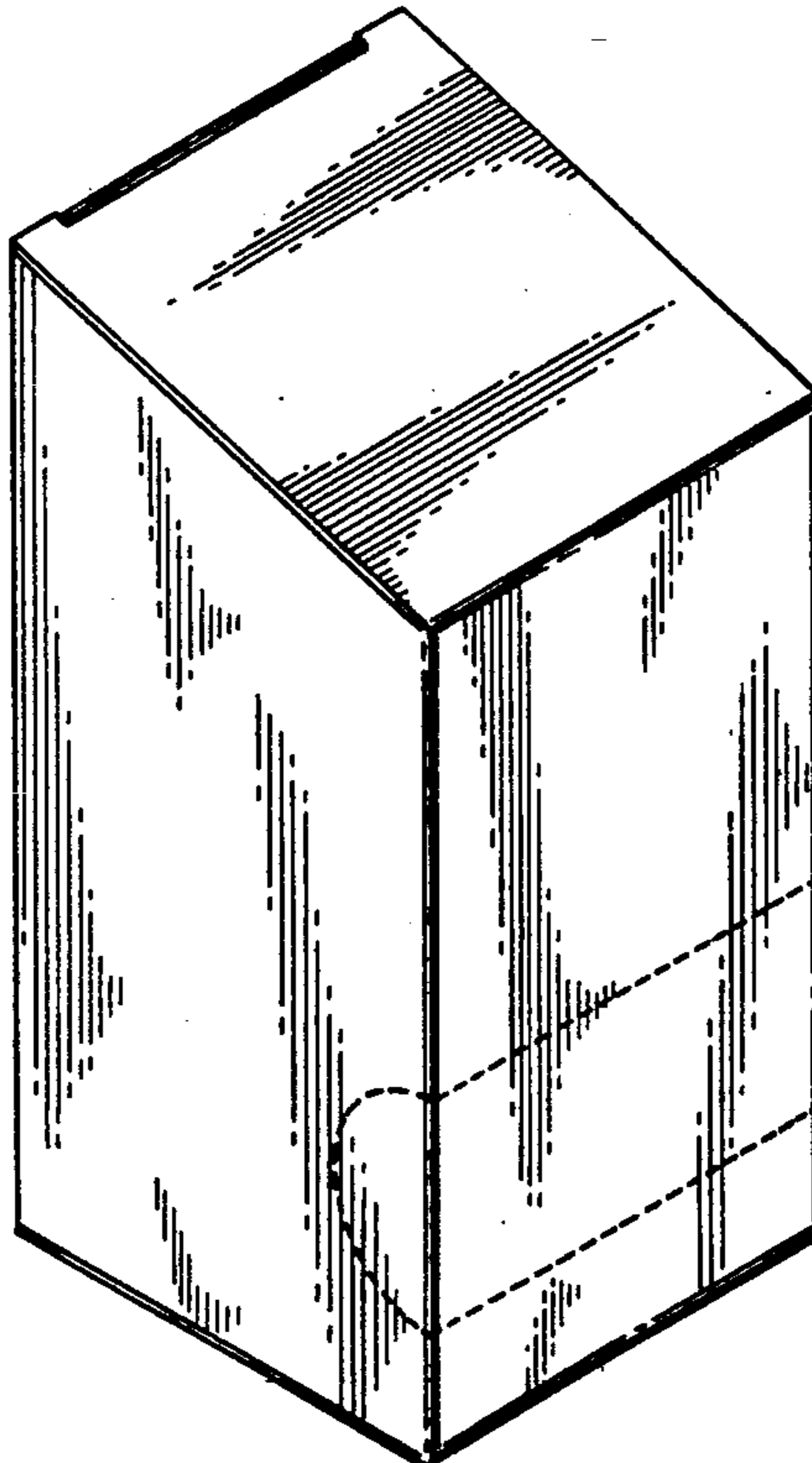


FIG. 1

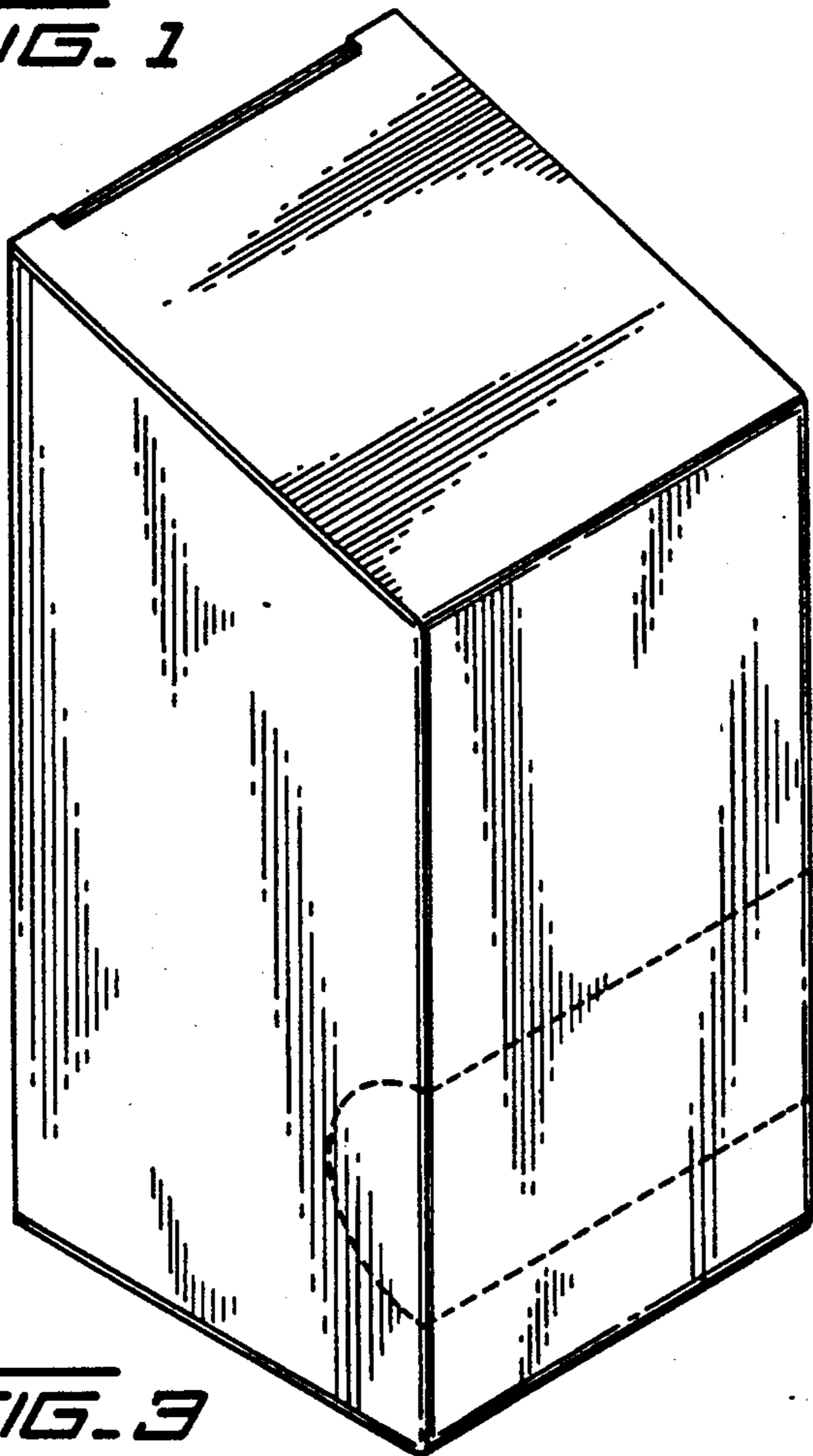


FIG. 2

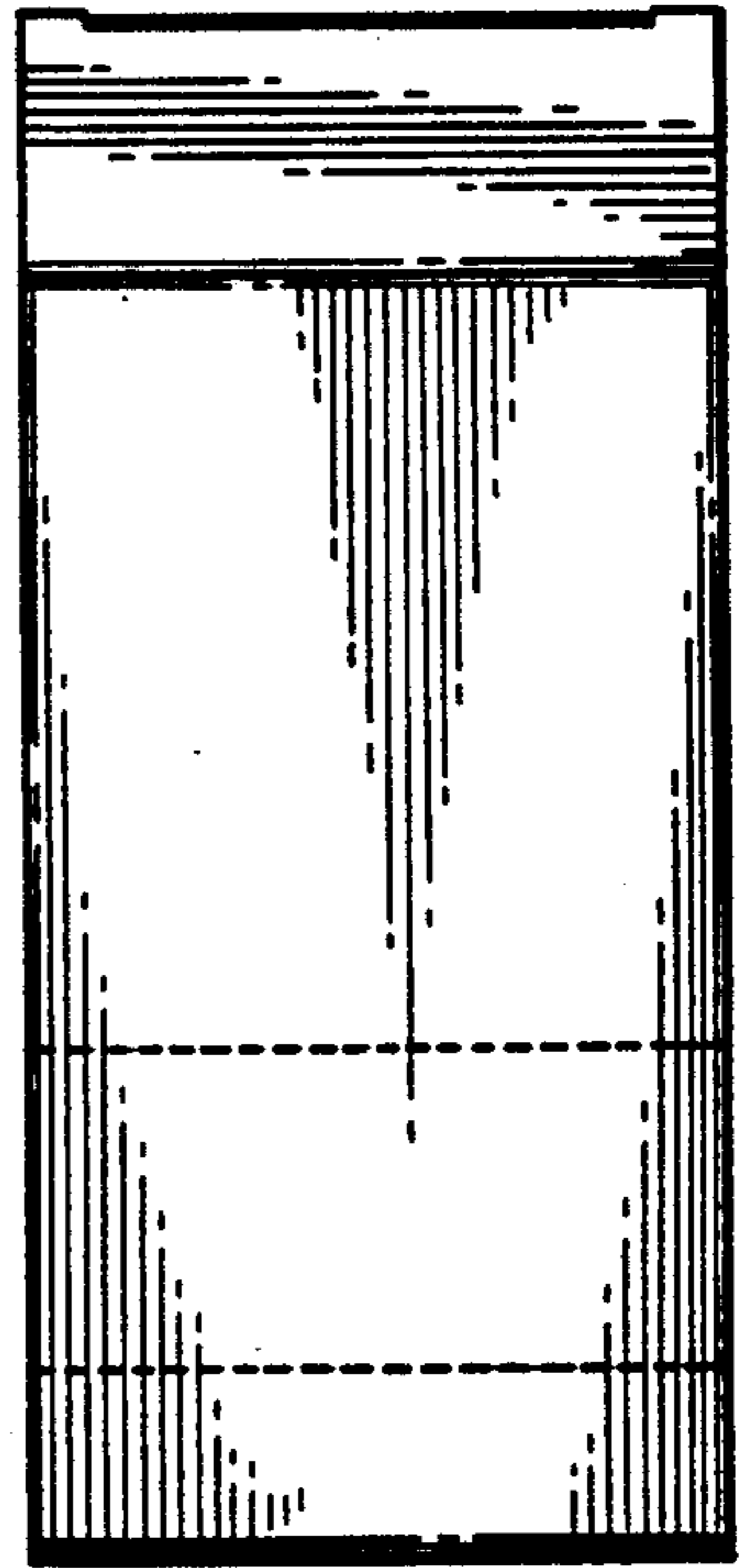


FIG. 3

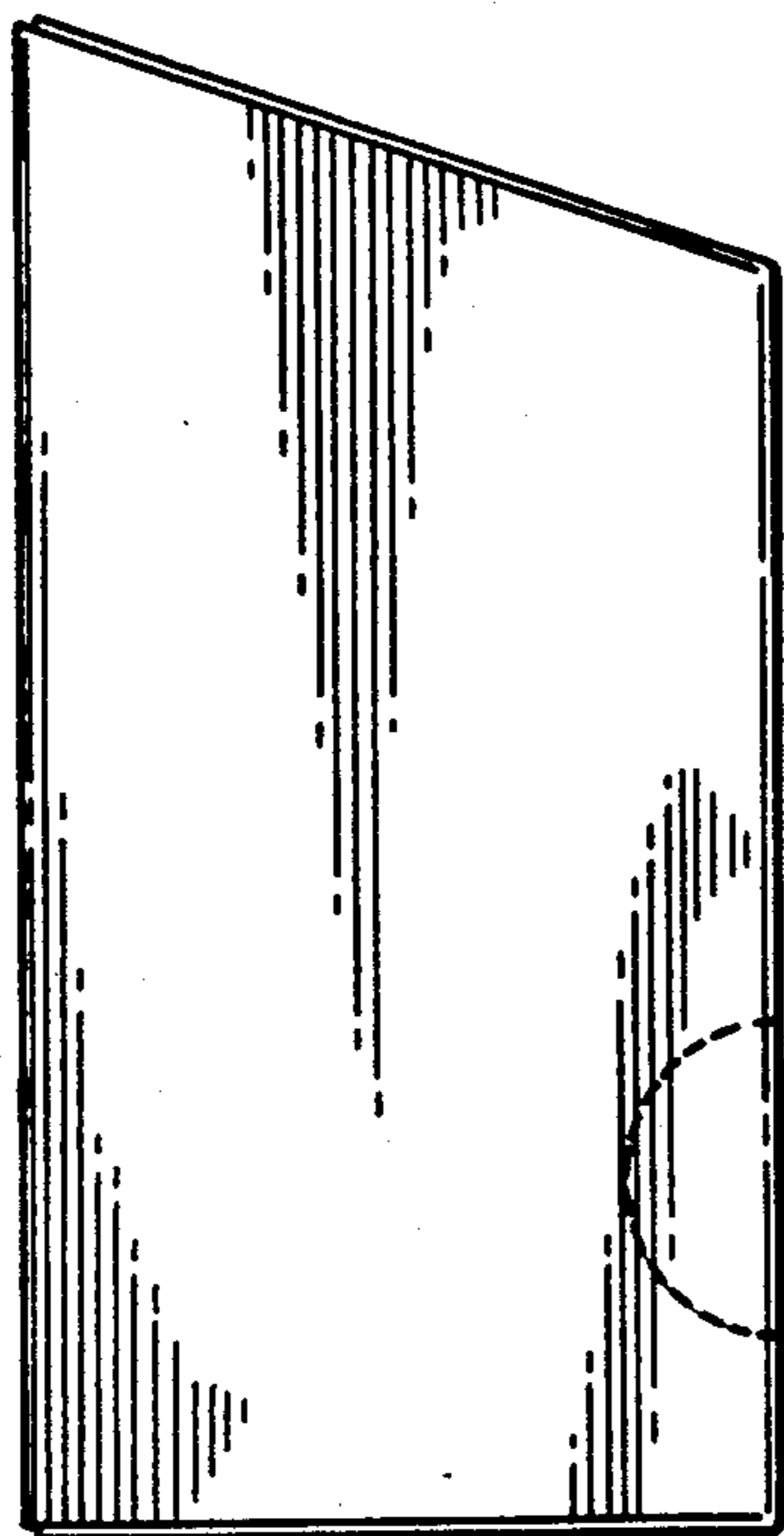
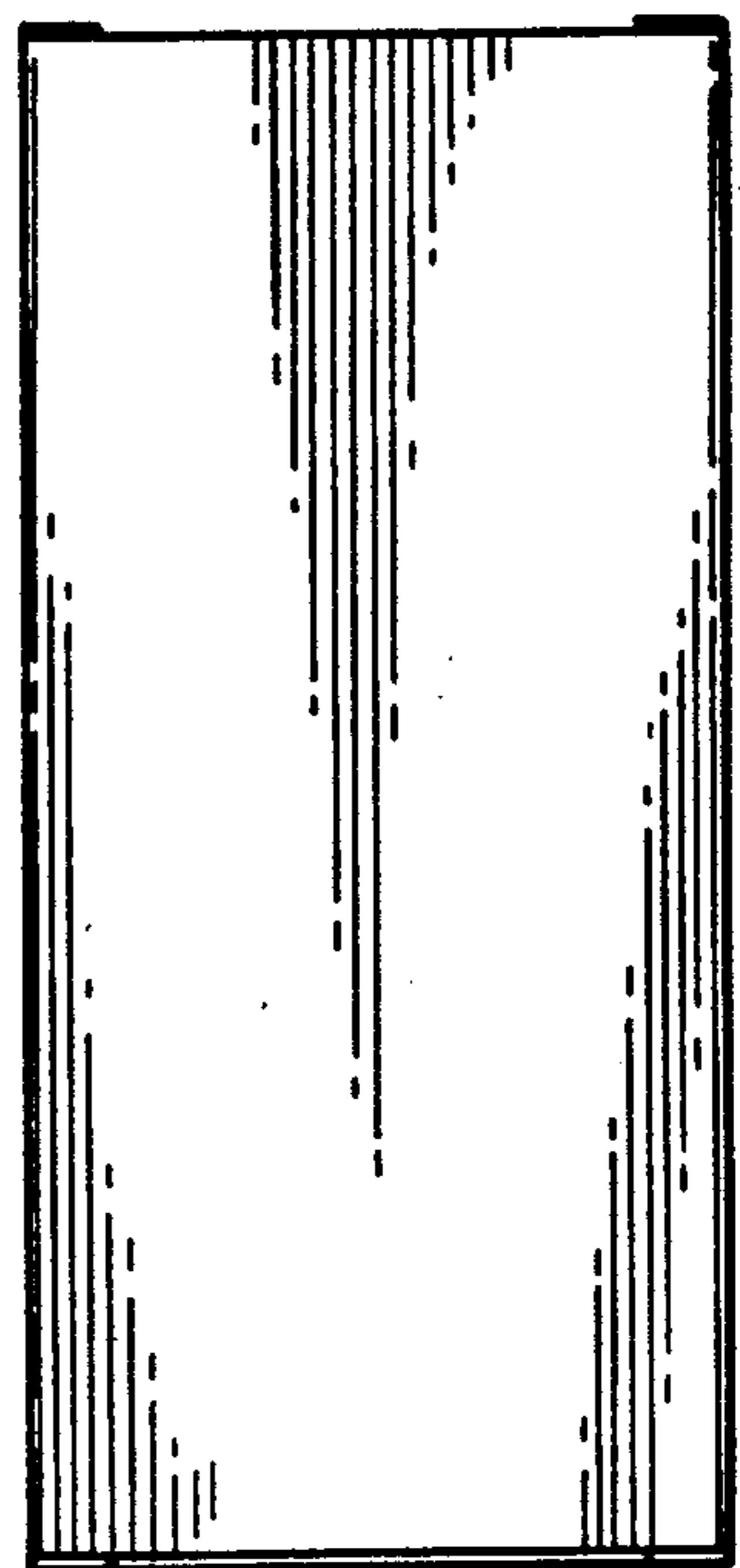


FIG. 4



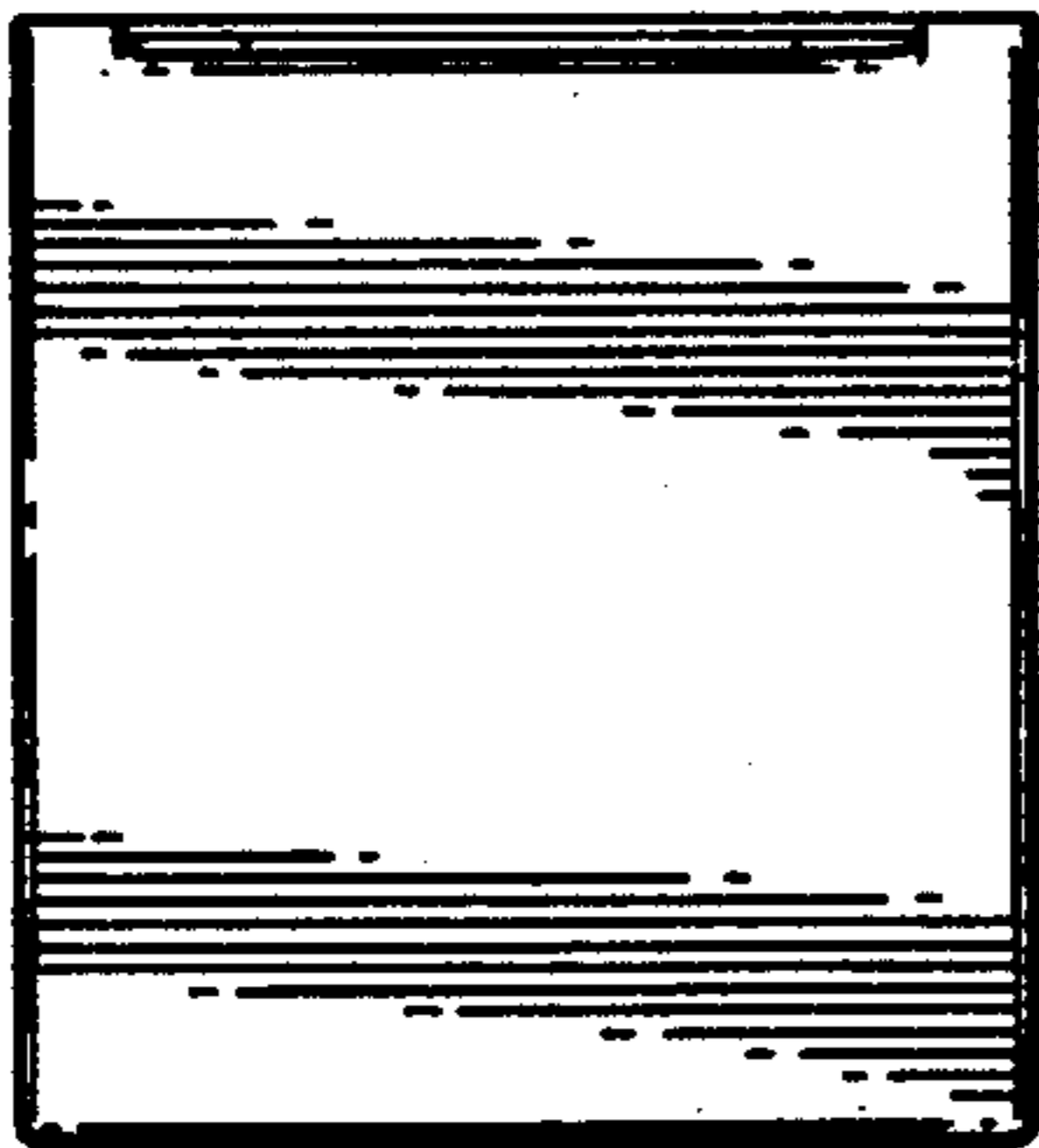


FIG. 5

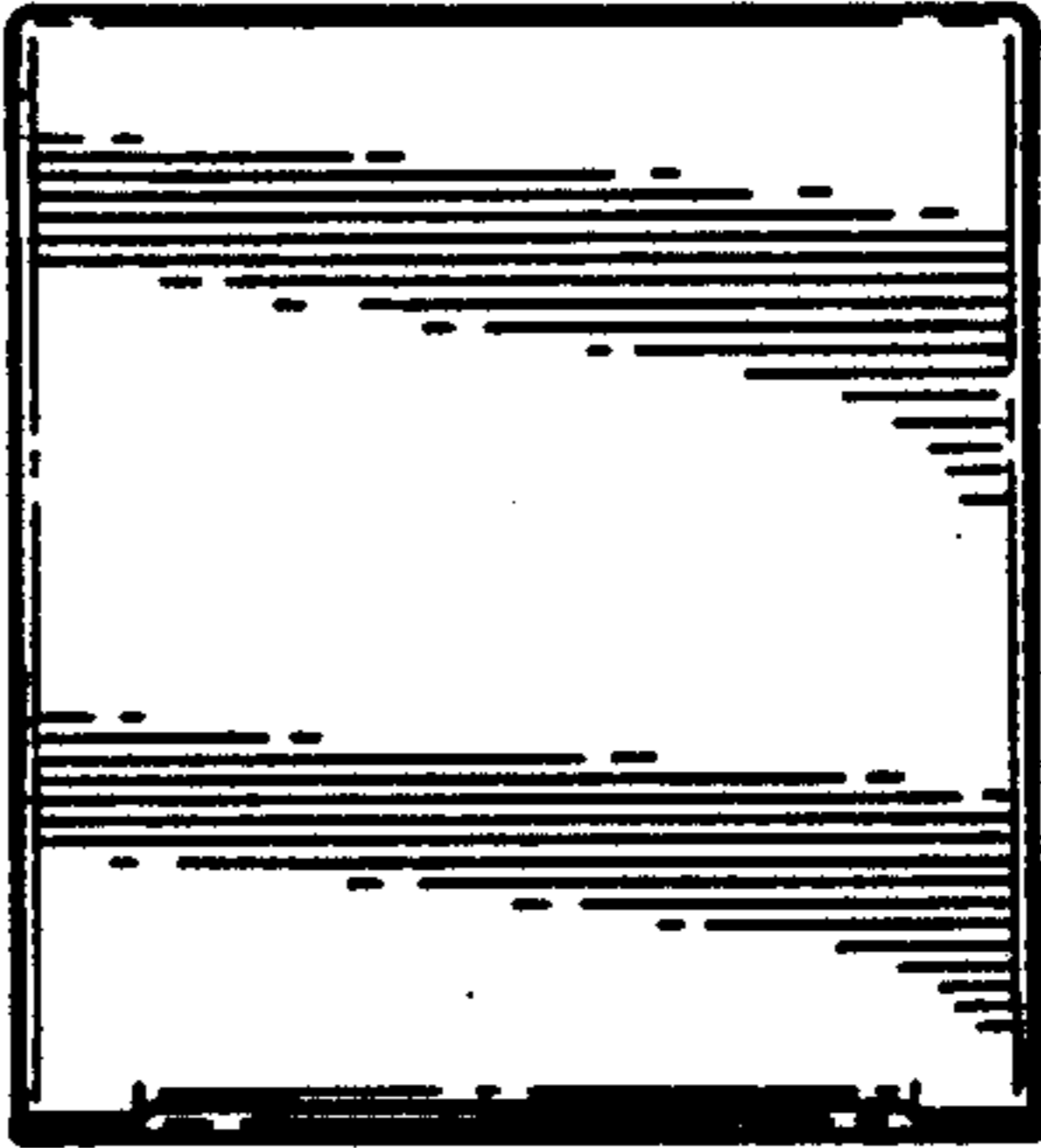


FIG. 6

FIG. 7

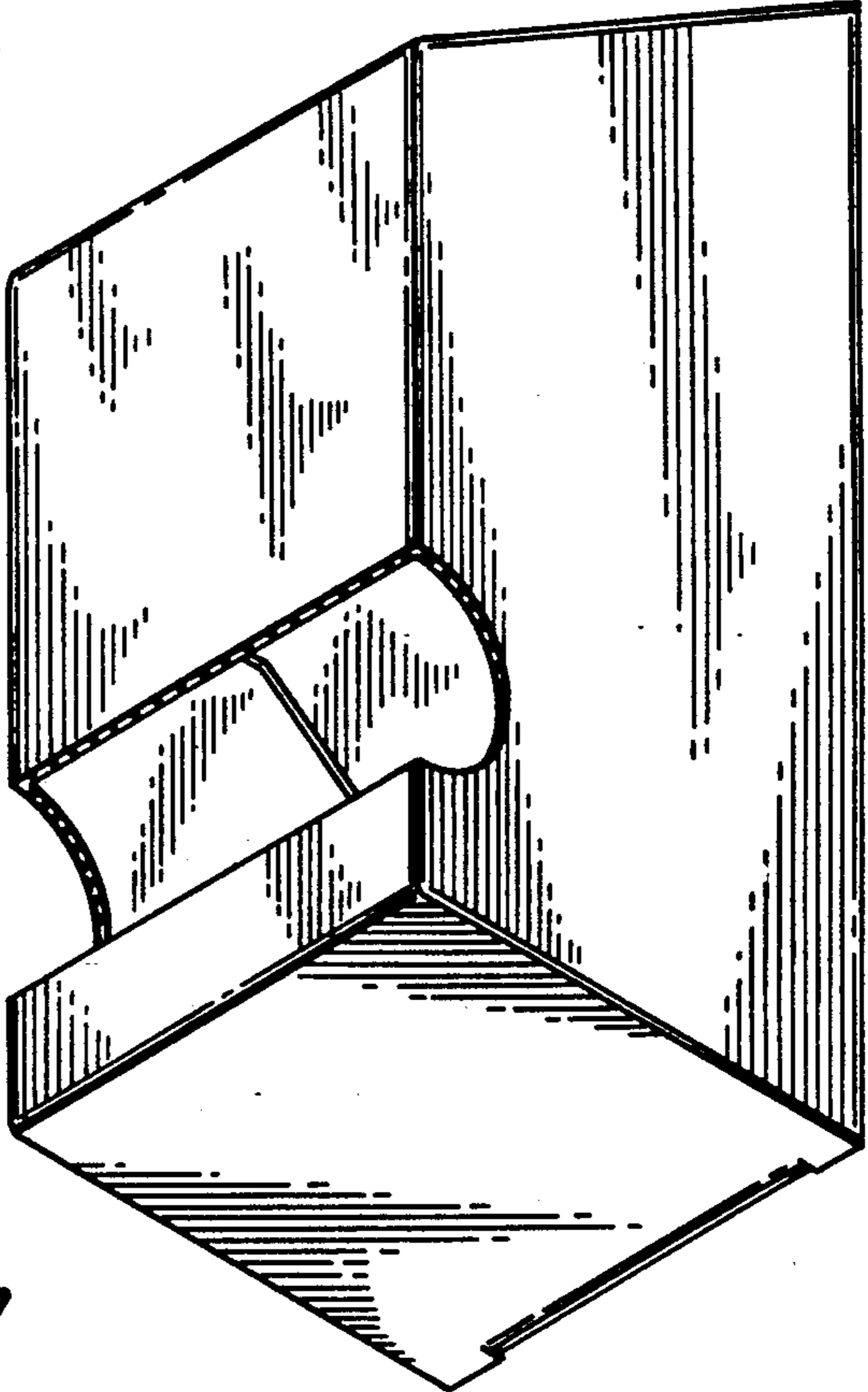
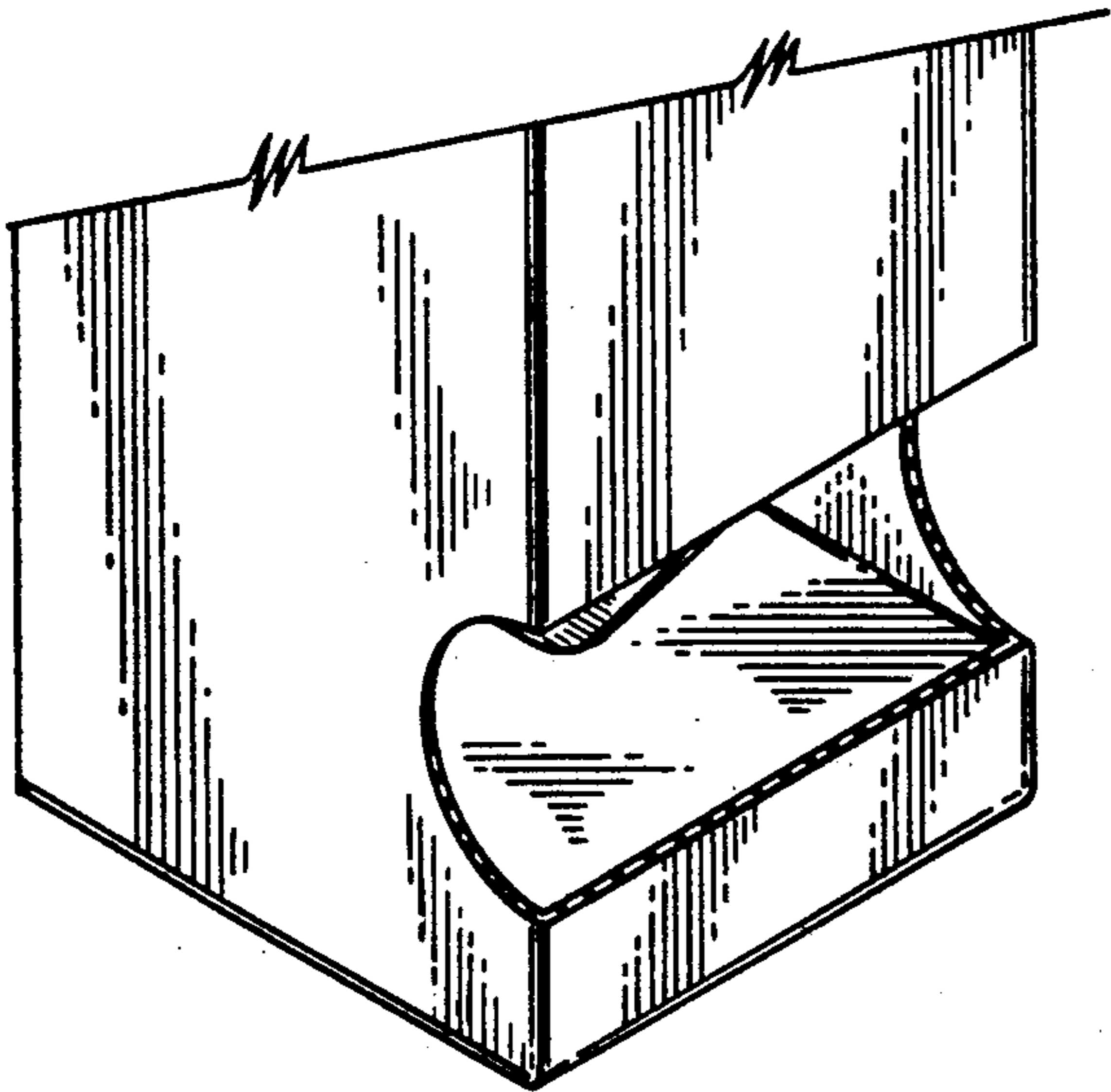


FIG. 8

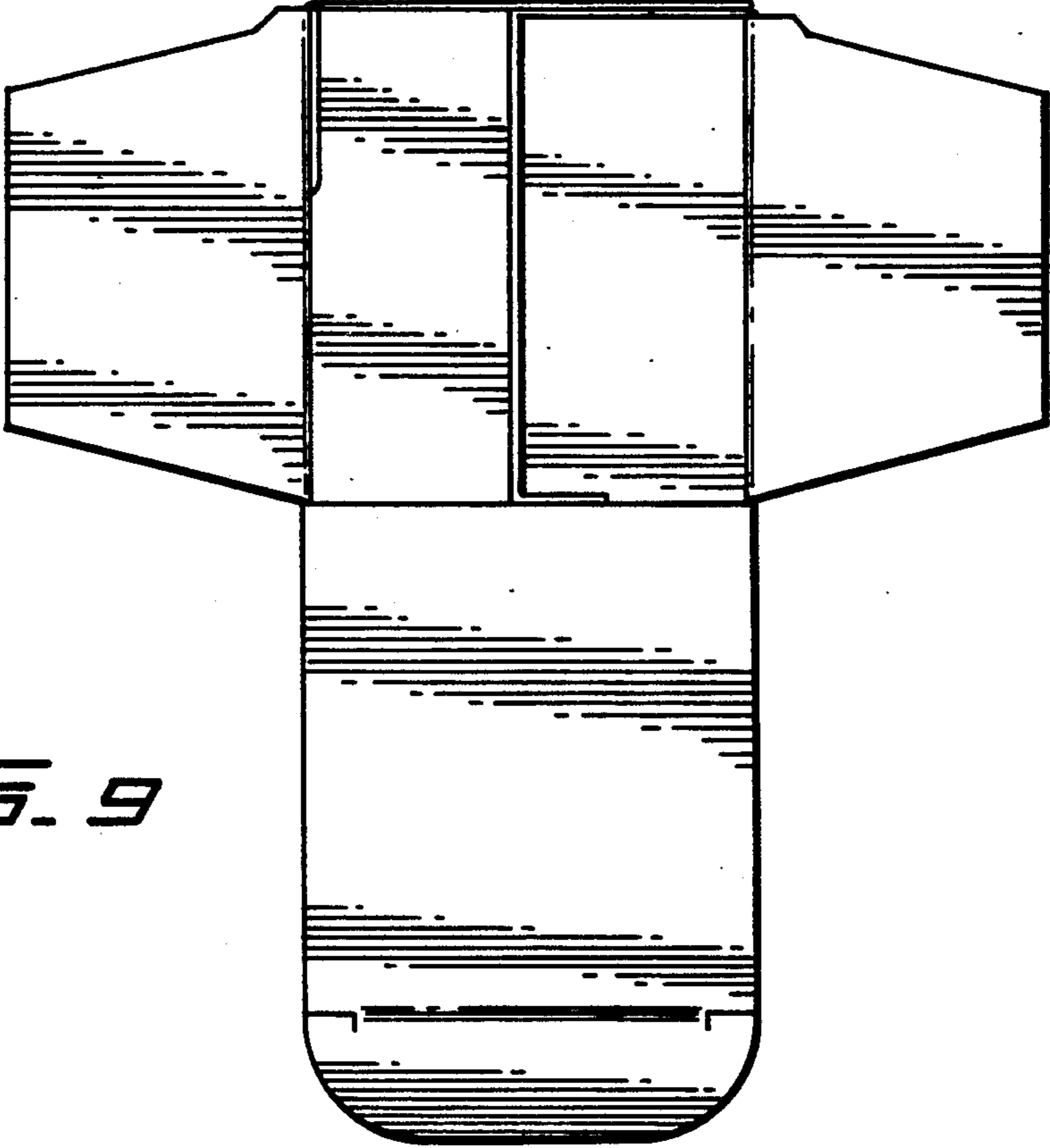


FIG. 9

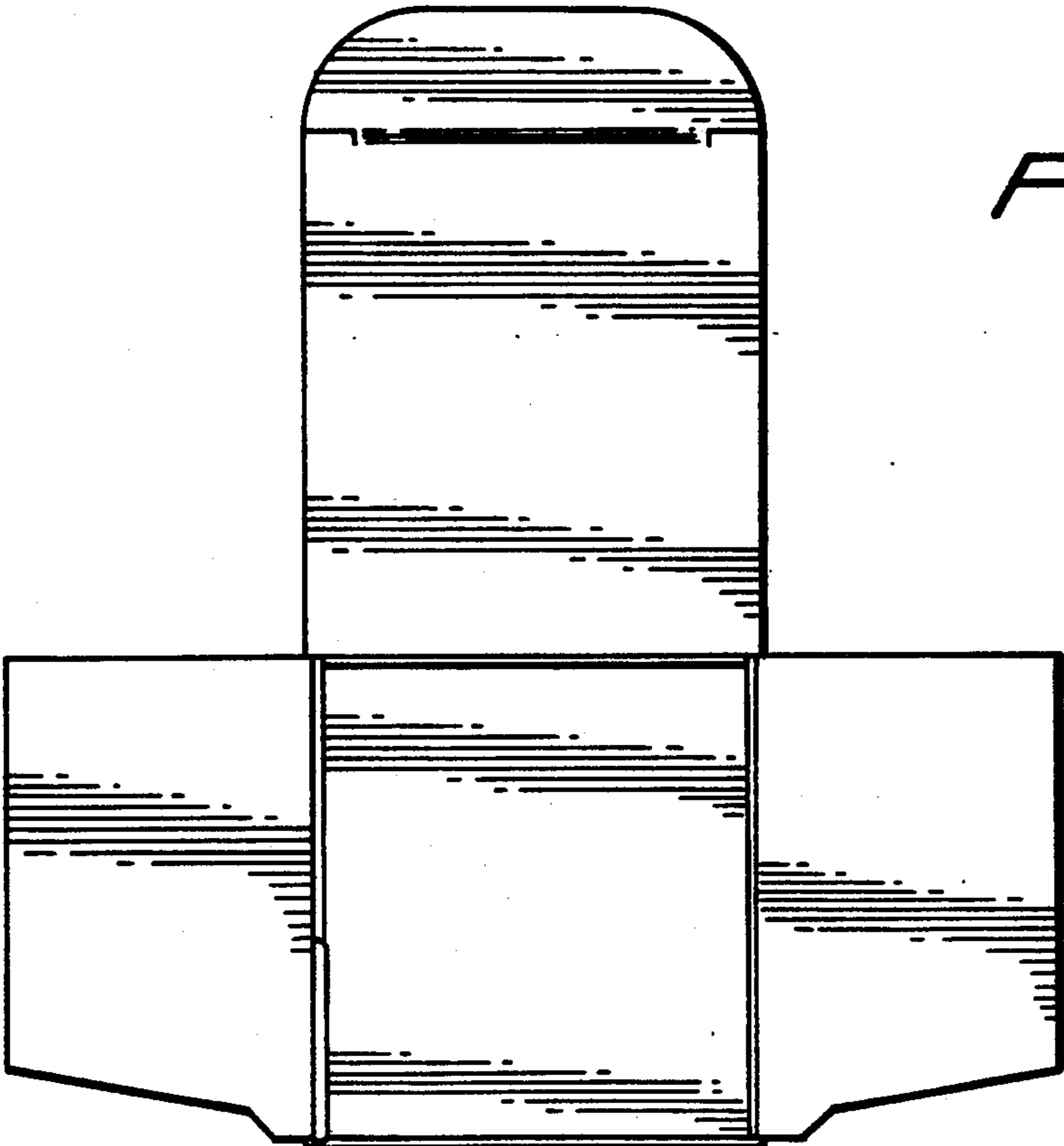


FIG. 10

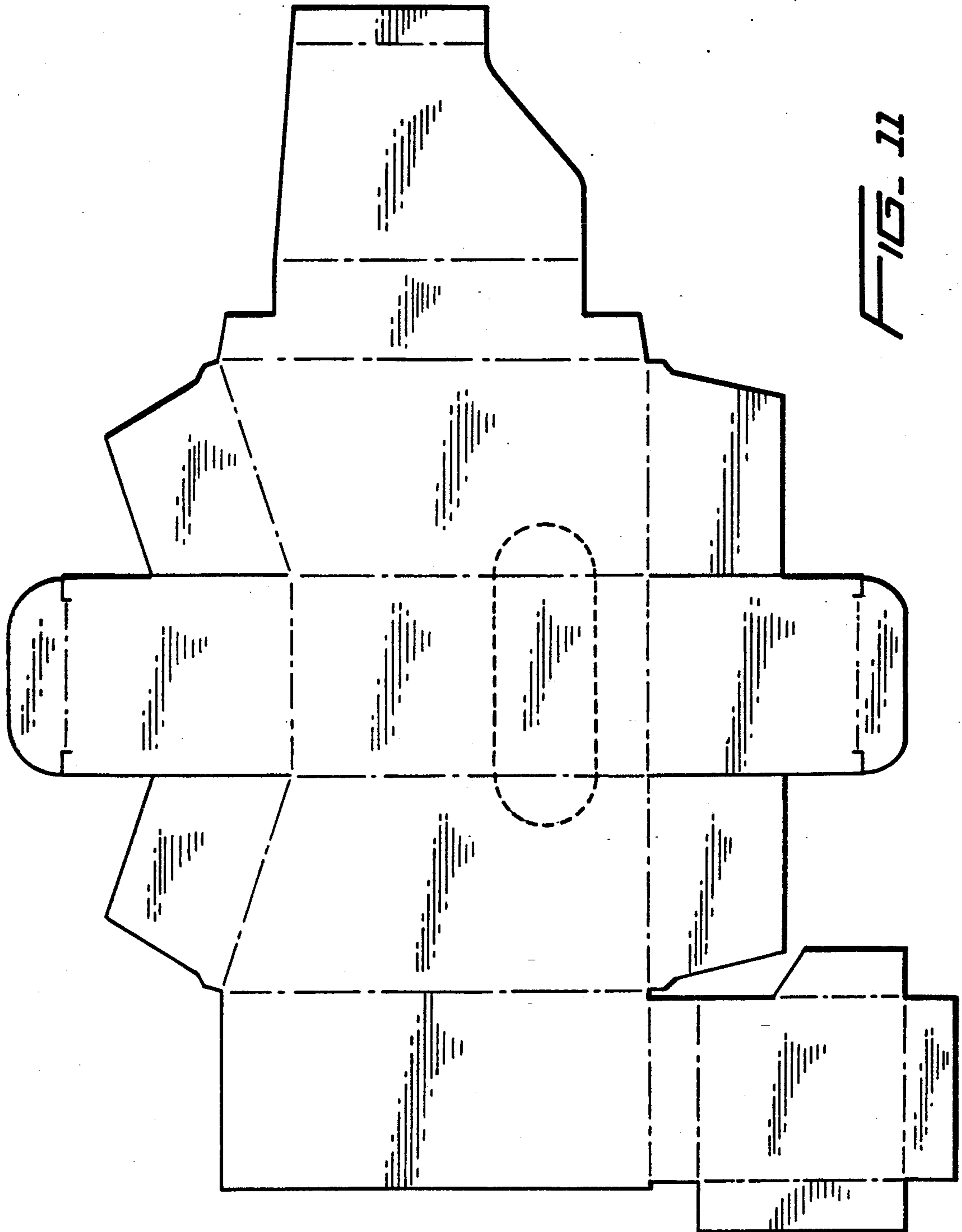


FIG. 11