



US00D333776S

# United States Patent [19]

[11] Patent Number: **Des. 333,776**

**Cloutier**

[45] Date of Patent: **\*\* Mar. 9, 1993**

[54] WINDING DRUM

[76] Inventor: **Hermel R. Cloutier**, Brrodie Drive  
Concession 6, R.R. #4, Orillia,  
Ontario, Canada, L3V 6H4

[\*\*] Term: **14 Years**

[21] Appl. No.: **718,118**

[22] Filed: **Jun. 20, 1991**

[30] **Foreign Application Priority Data**

Dec. 20, 1990 [CA] Canada ..... 20-12-90-1

[52] U.S. Cl. .... **D8/358**

[58] Field of Search ..... 254/326; 160/9;  
D8/358-359

[56] **References Cited**

**U.S. PATENT DOCUMENTS**

- 1,183,402 5/1916 Prescott .
- 1,874,077 8/1932 Anderson .
- 3,981,343 9/1976 DeVito ..... 160/9
- 4,076,218 2/1978 Gault ..... 254/326

*Primary Examiner*—Wallace R. Burke  
*Assistant Examiner*—H. Baynham  
*Attorney, Agent, or Firm*—Hoffman, Wasson & Gitler

[57] **CLAIM**

The ornamental design for a winding drum, as shown.

**DESCRIPTION**

FIG. 1 is a side elevational view of a winding drum showing my new design;

FIG. 2 is a right side elevational view thereof at a smaller scale;

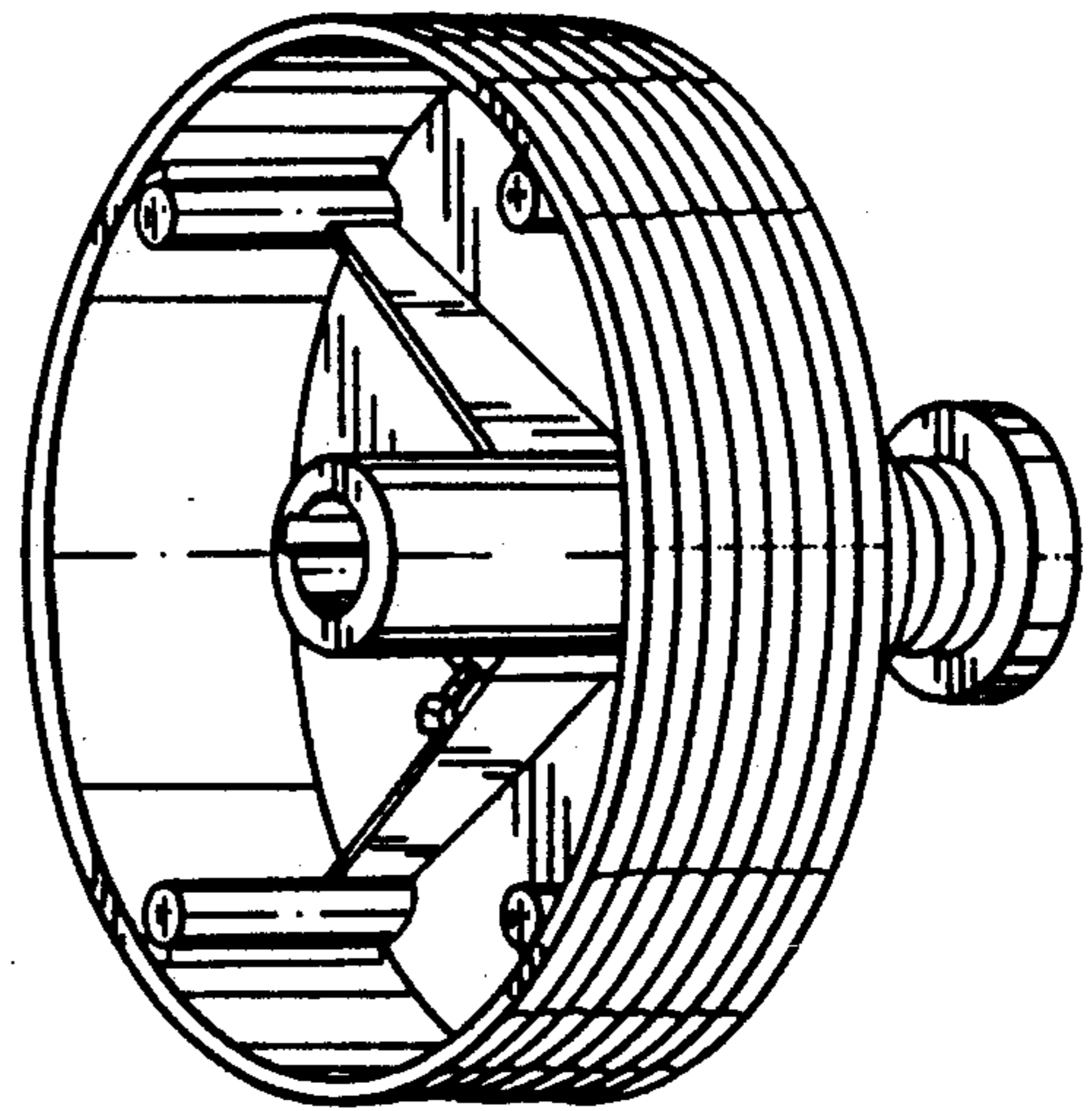
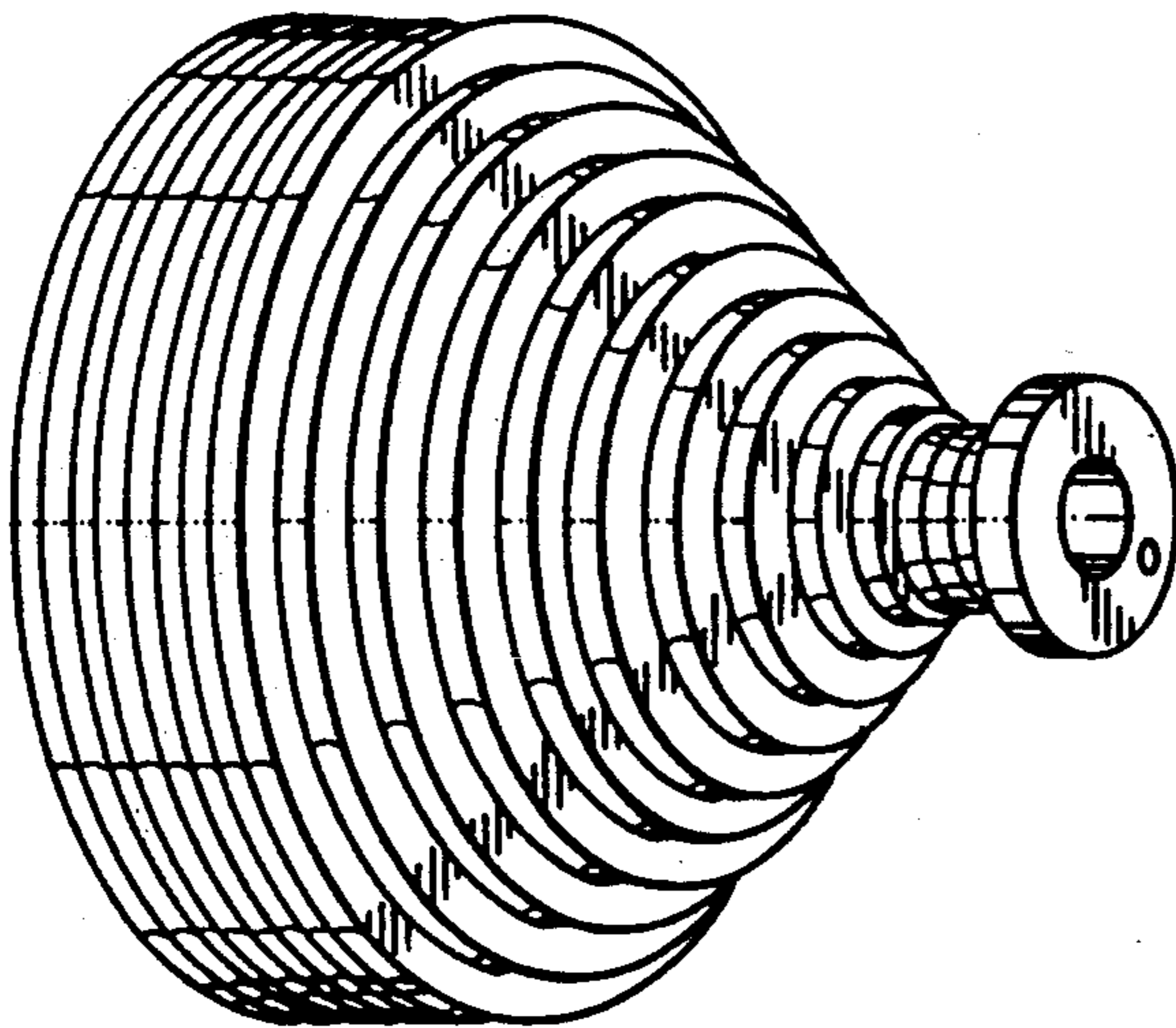
FIG. 3 is a front, side perspective view thereof;

FIG. 4 is a rear opposite side perspective view thereof;

FIG. 5 is a side perspective view of a second embodiment of the design shown in FIG. 1 with the opposite sides being mirror images thereof; and,

FIG. 6 is a rear elevational view thereof.

The difference between the first embodiment and the second embodiment is that the second embodiment is of a smaller diameter than the first embodiment at the wide end of the drum, i.e., the left-hand end as seen in FIGS. 1 and 5.



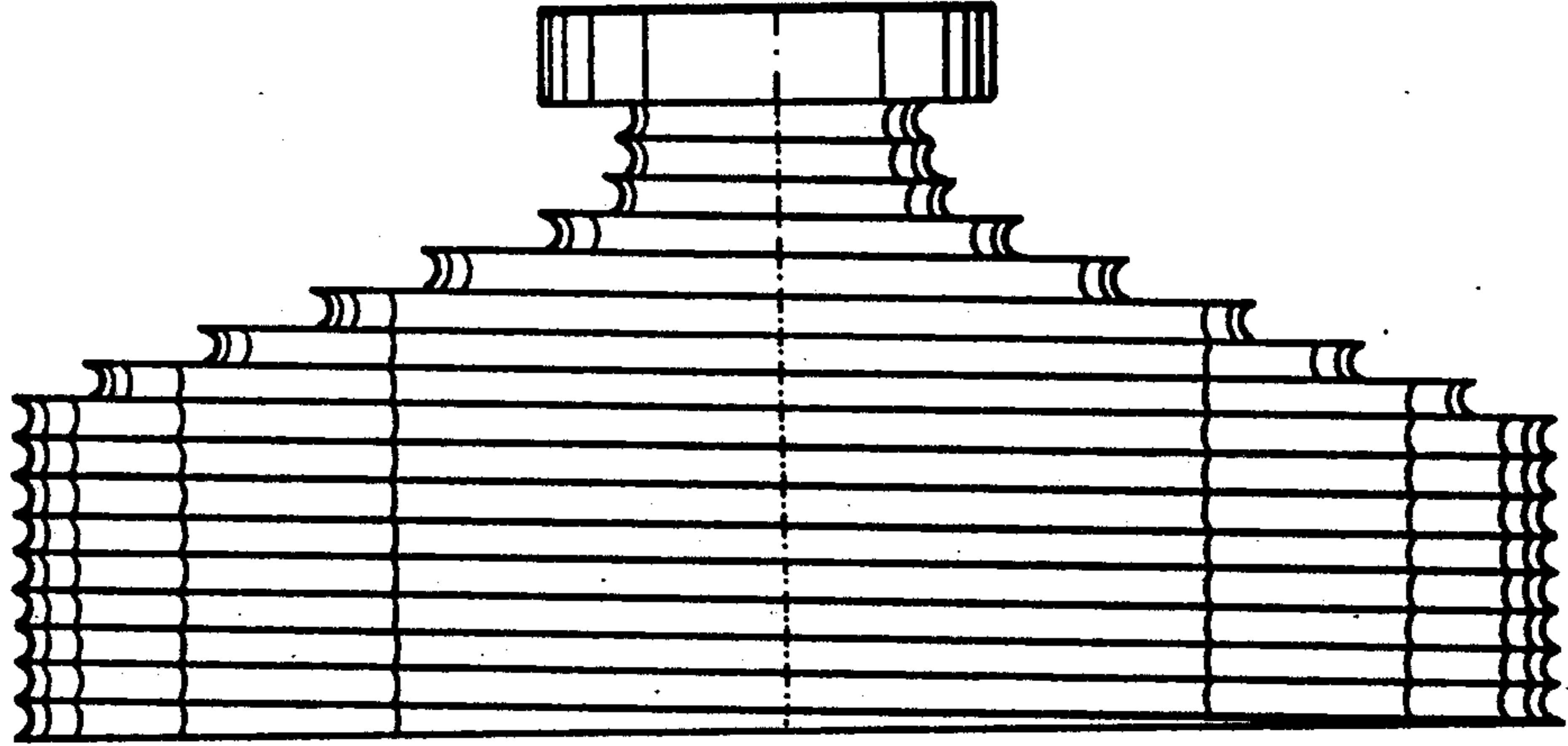


FIG. 5

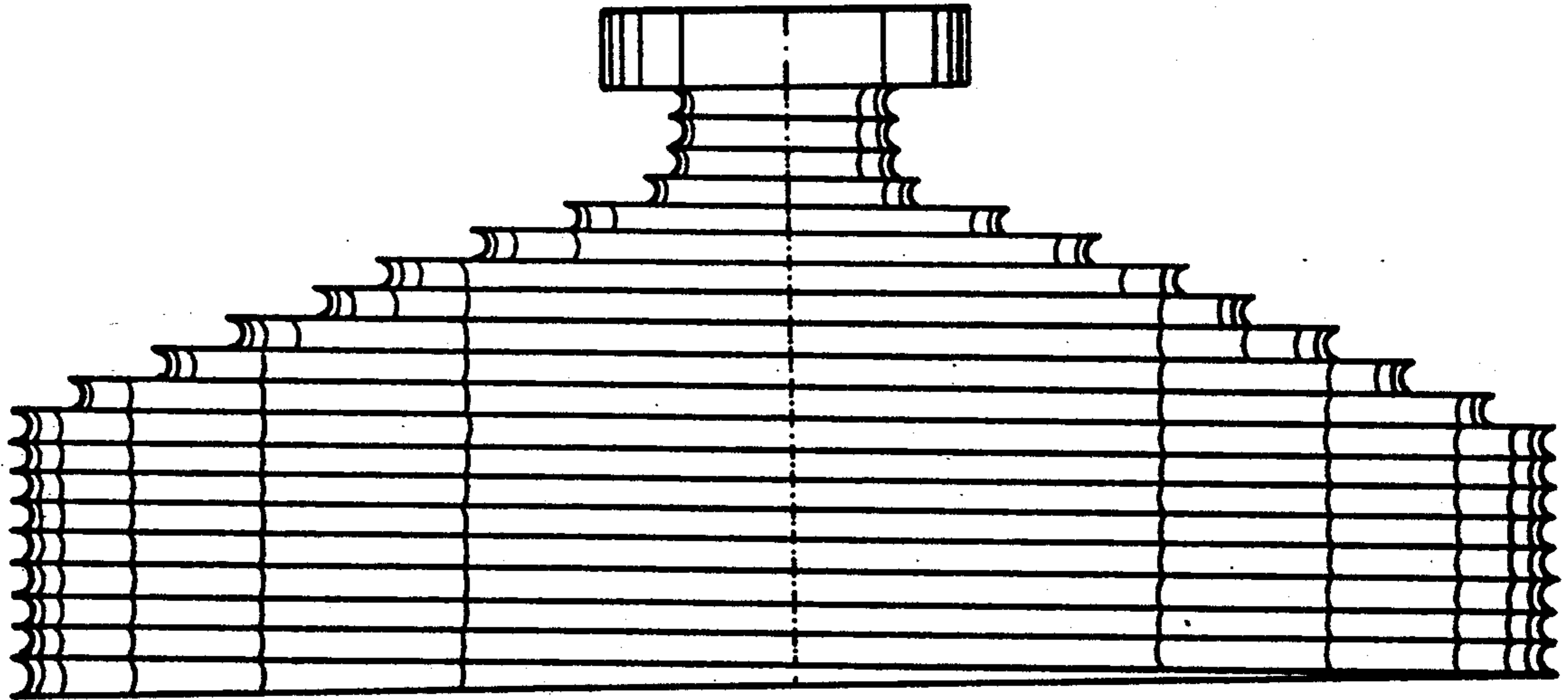


FIG. 1

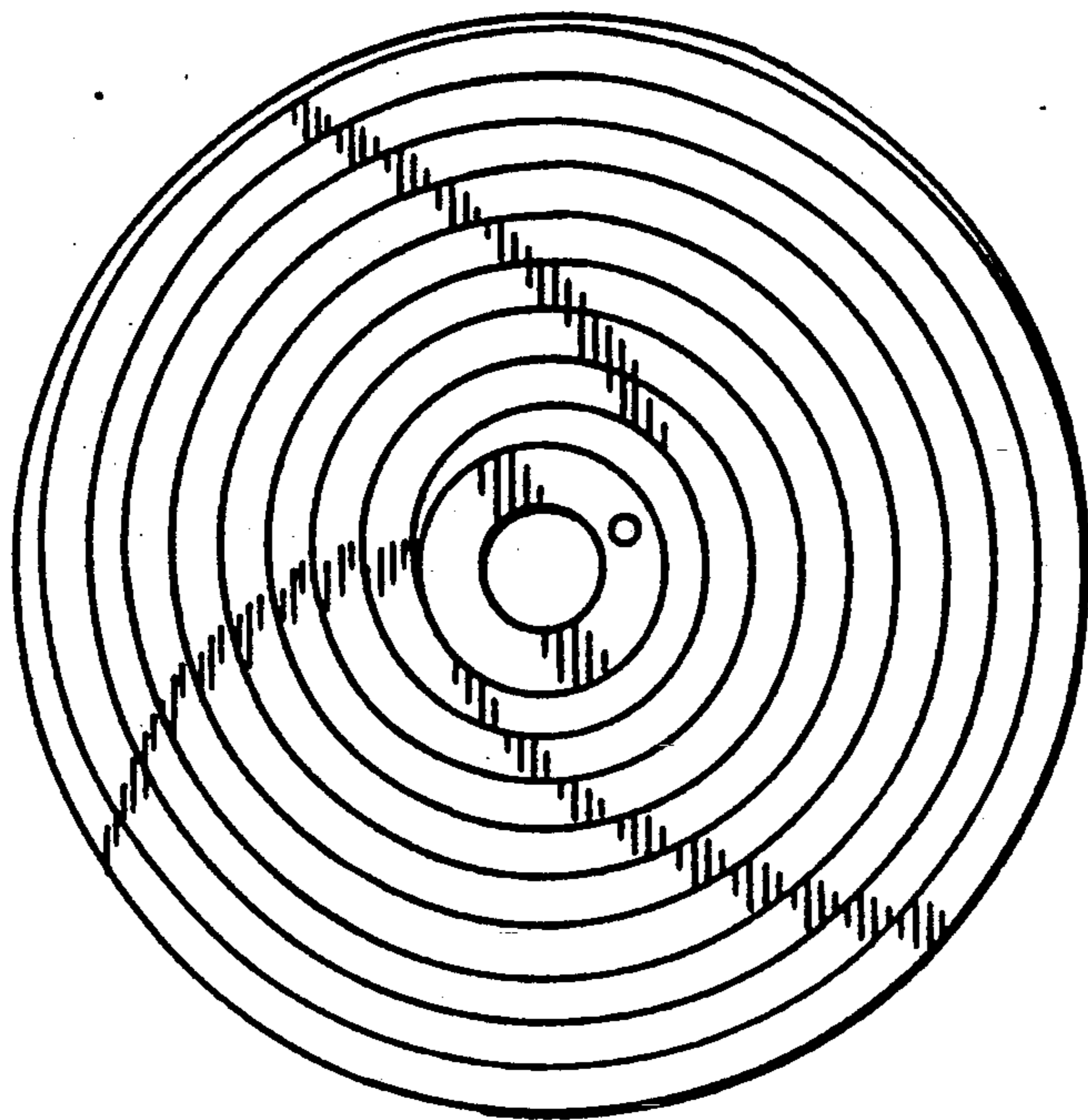


FIG. 2

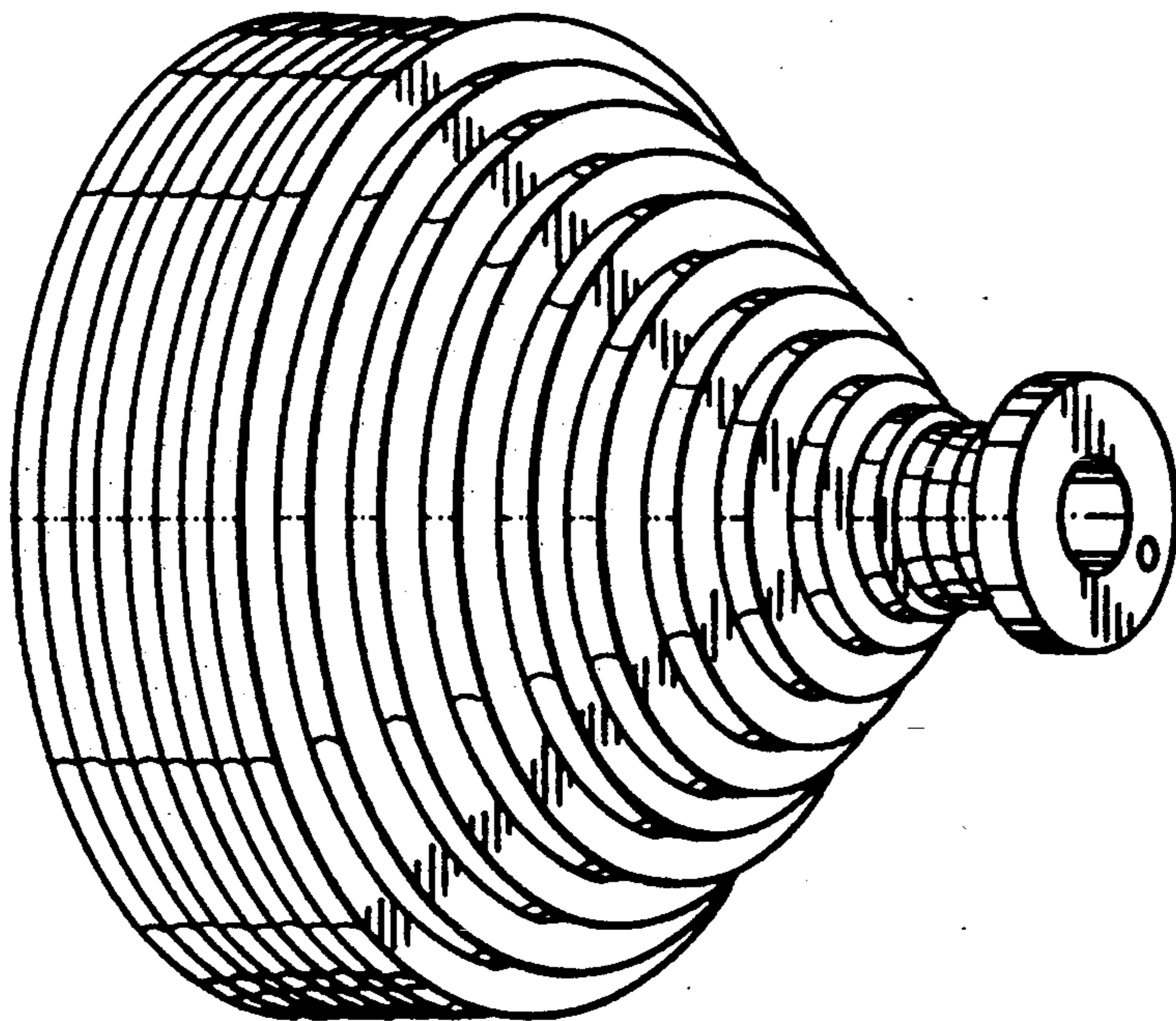


FIG. 3

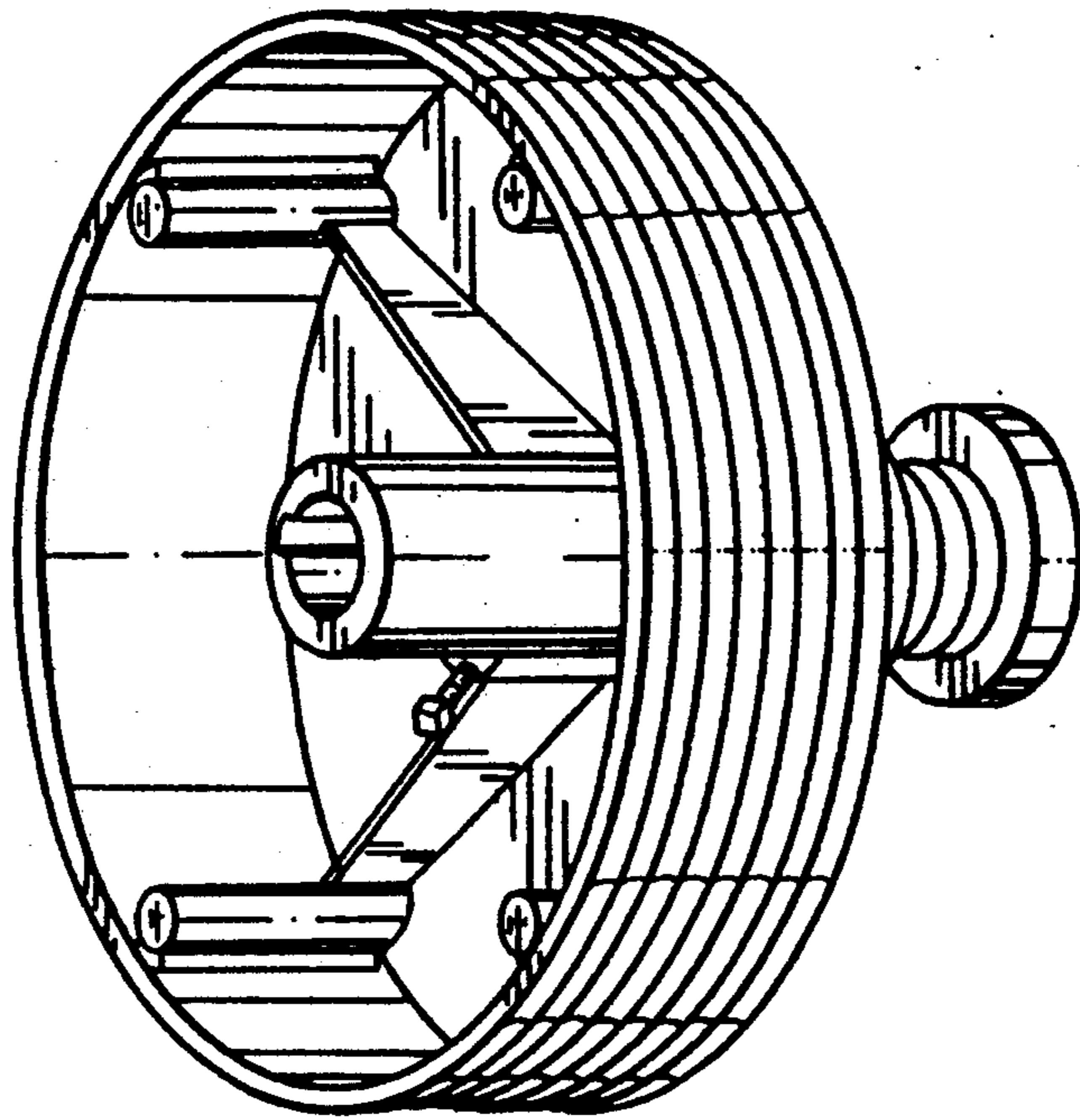


FIG. 4

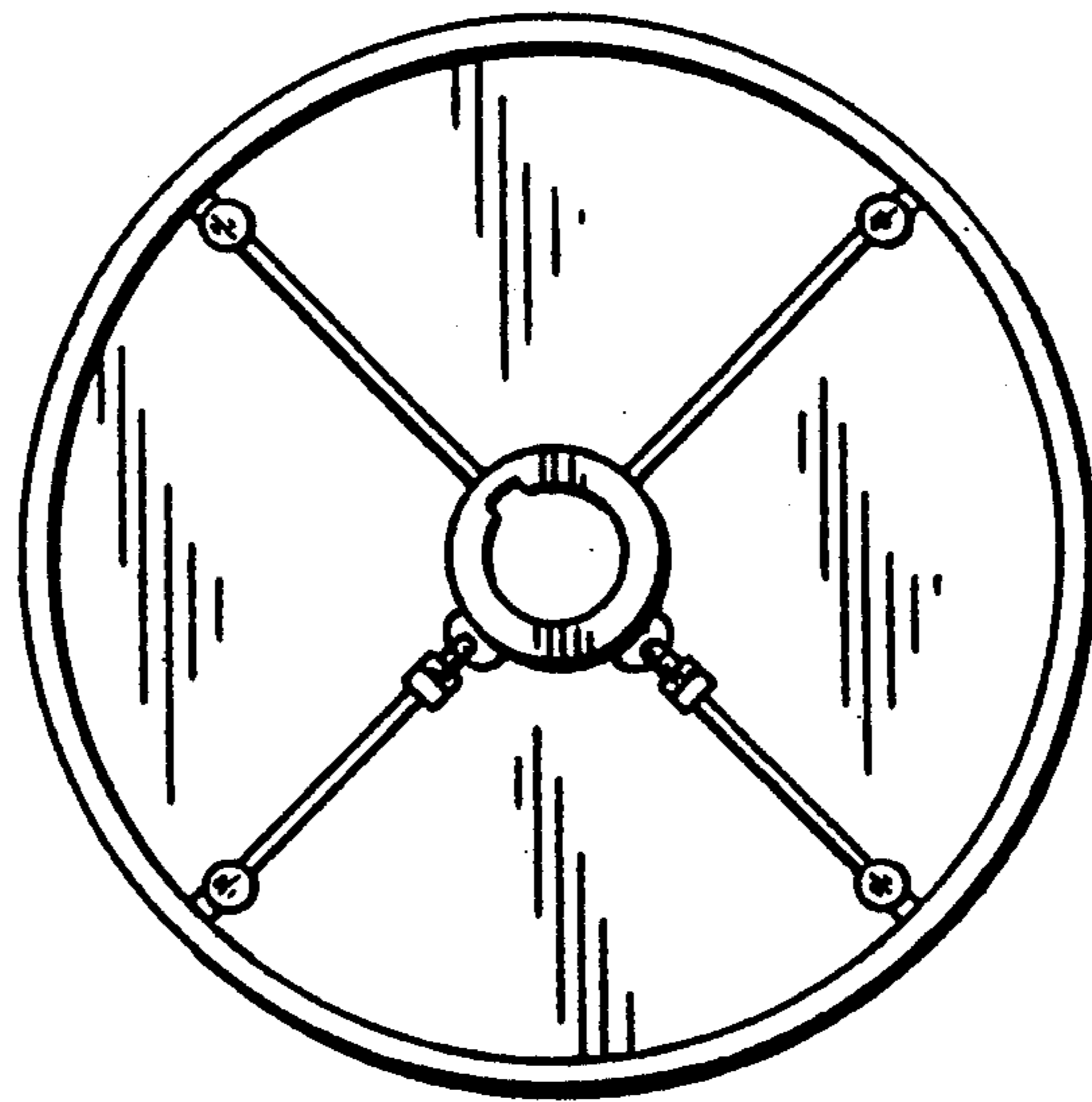


FIG. 6