



US00D333771S

United States Patent [19]

Aoki

[11] Patent Number: **Des. 333,771**

[45] Date of Patent: **** Mar. 9, 1993**

[54] **CLAMP**

[75] Inventor: **Nobuyuki Aoki, Tokyo, Japan**

[73] Assignee: **Koto Sangyo Co., Ltd., Tokyo, Japan**

[**] Term: **14 Years**

[21] Appl. No.: **641,120**

[22] Filed: **Jan. 10, 1991**

[52] U.S. Cl. **D8/72**

[58] Field of Search **D8/71, 72, 73, 74, 52;
30/425, 346, 347, 388; 83/835, 851; 125/15, 18;
144/230**

[56] **References Cited**

U.S. PATENT DOCUMENTS

D. 297,103	8/1988	Parish, Sr.	D8/52
D. 297,301	8/1988	Aoki et al.	D8/72
1,900,314	3/1933	Strom	D8/72
4,359,213	11/1982	Bachman et al.	269/228
4,673,174	6/1987	Tabbert	269/228

4,725,049 2/1988 Cantarinhas 269/6

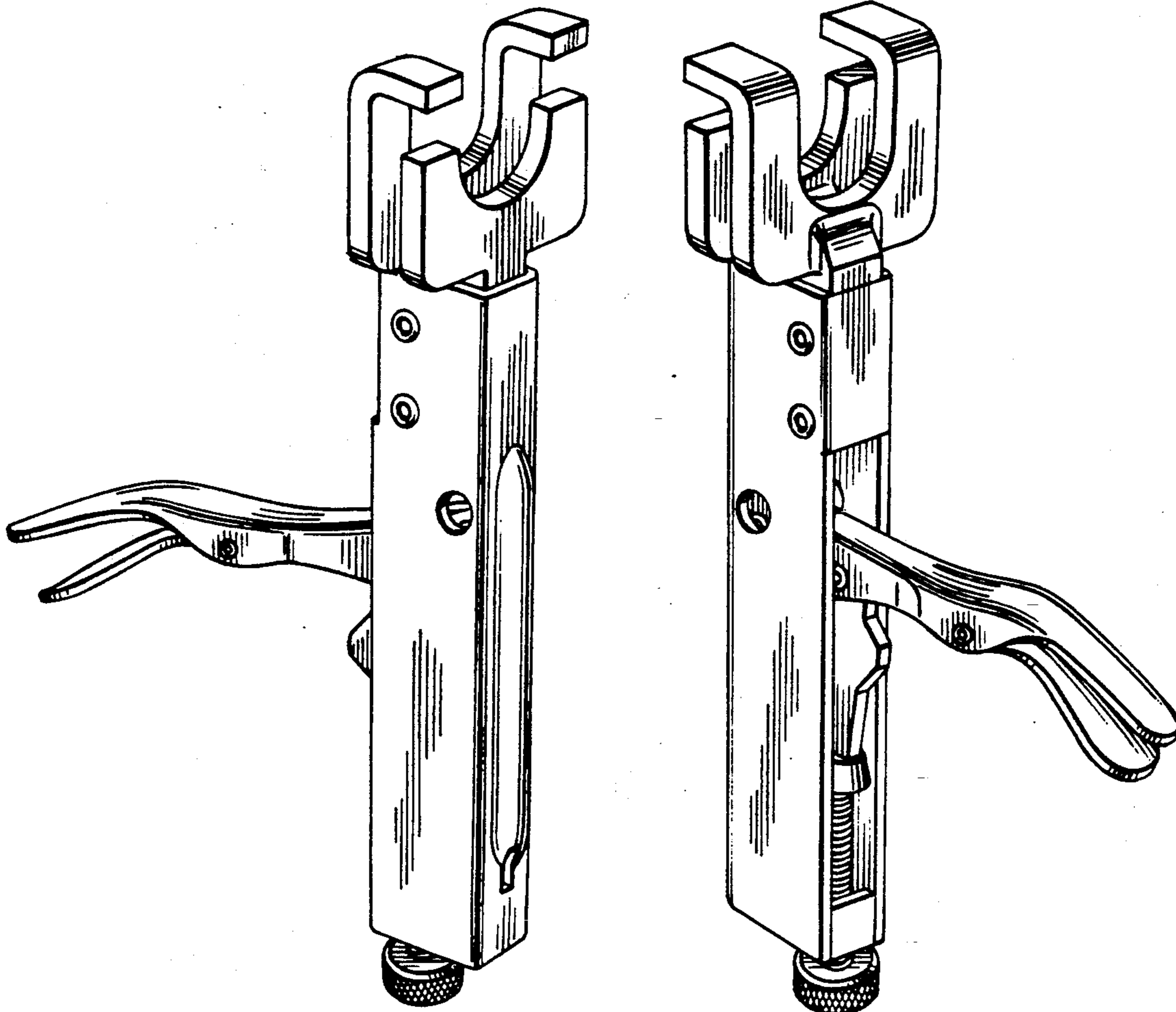
Primary Examiner—Alan P. Douglas
Assistant Examiner—J. H. Musgrove
Attorney, Agent, or Firm—Jacobson, Price, Holman & Stern

[57] **CLAIM**

The ornamental design for a clamp, as shown and described.

DESCRIPTION

FIG. 1 is a top, front and left-side perspective view of a clamp showing my new design; FIG. 2 is a top, rear and right-side perspective view; FIG. 3 is a right side elevational view showing the jaw in a closed position; FIG. 4 is a front elevational view showing the jaw in a closed position; FIG. 5 is a rear elevational view; FIG. 6 is a top plan view; and, FIG. 7 is a bottom plan view thereof.



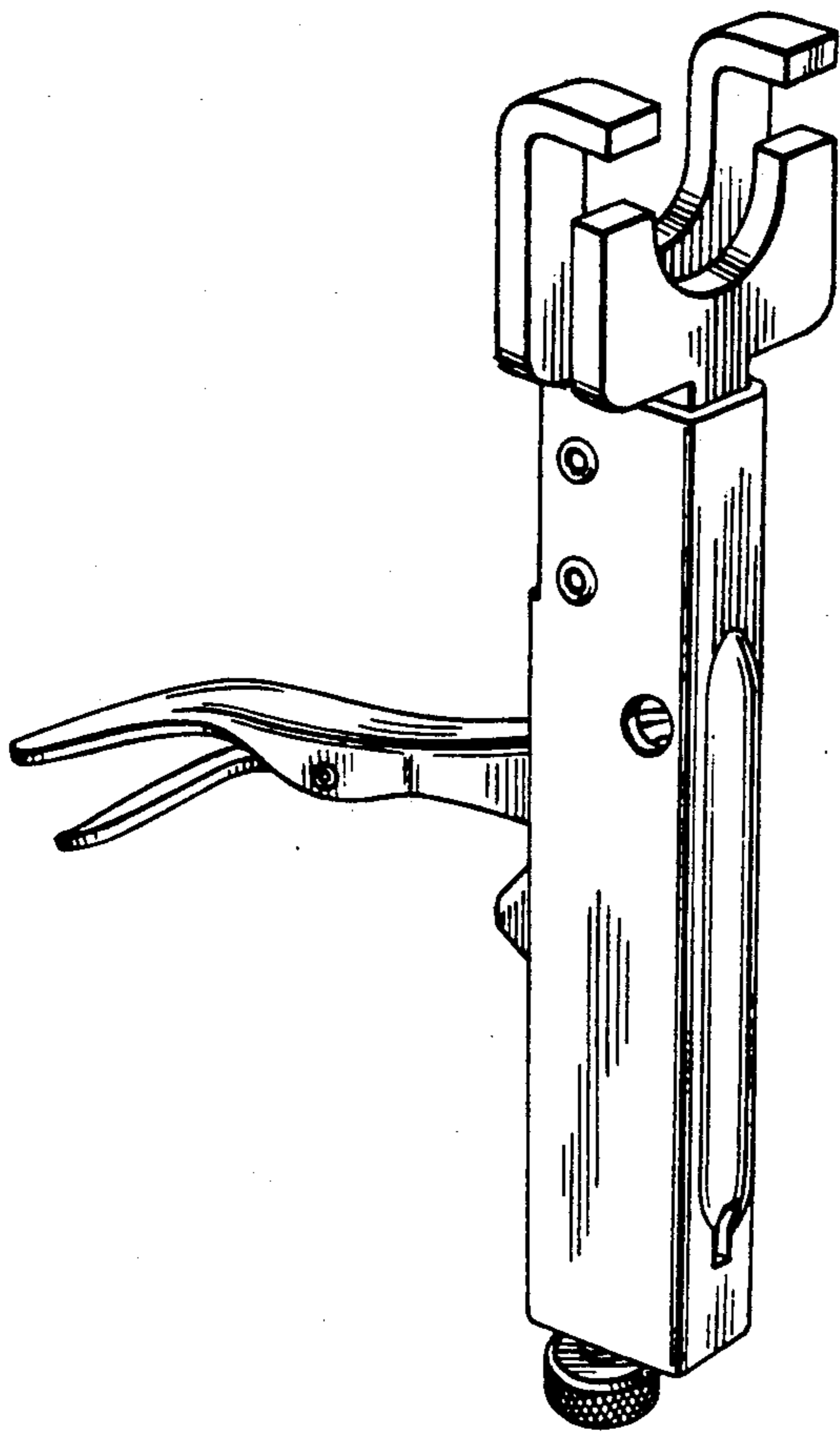


FIG. 1

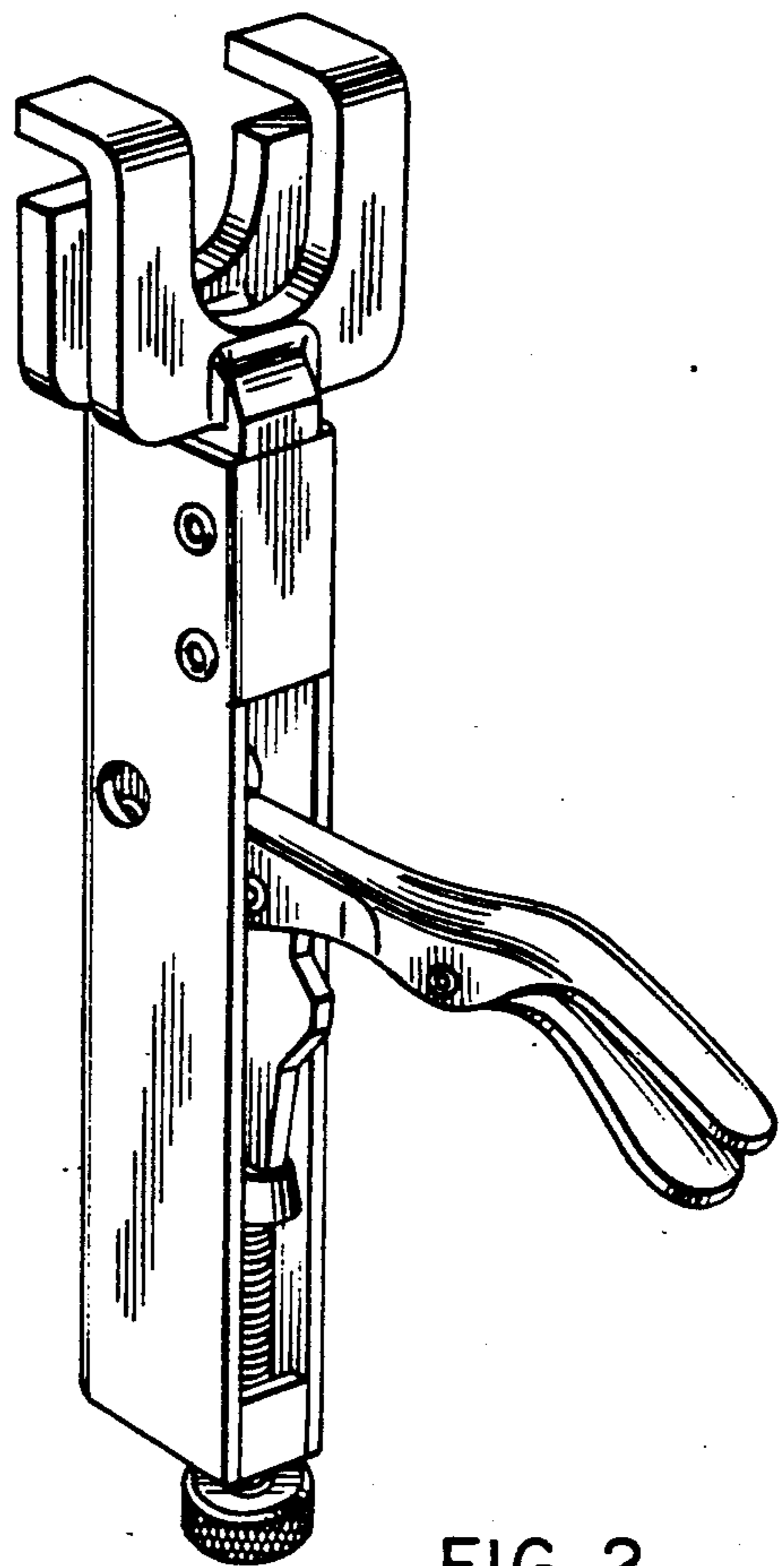


FIG. 2

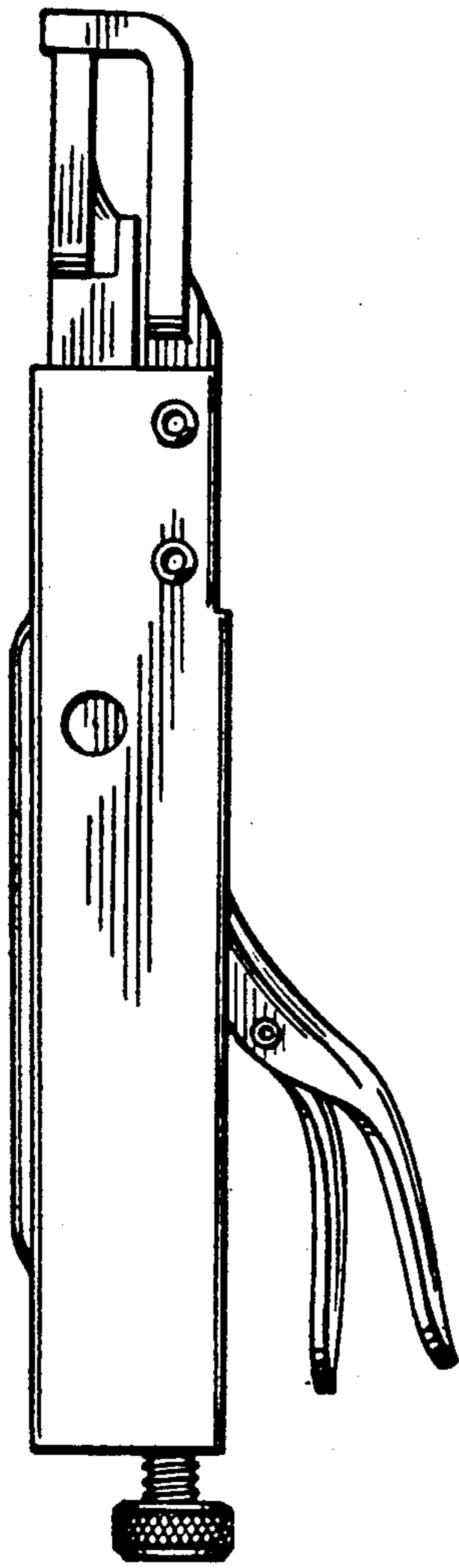


FIG. 3

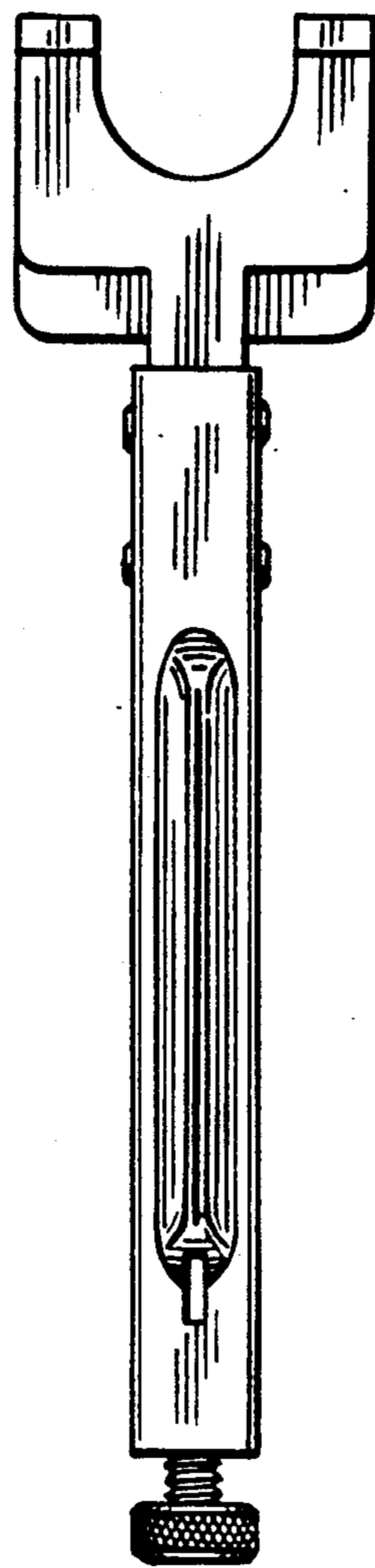


FIG. 4

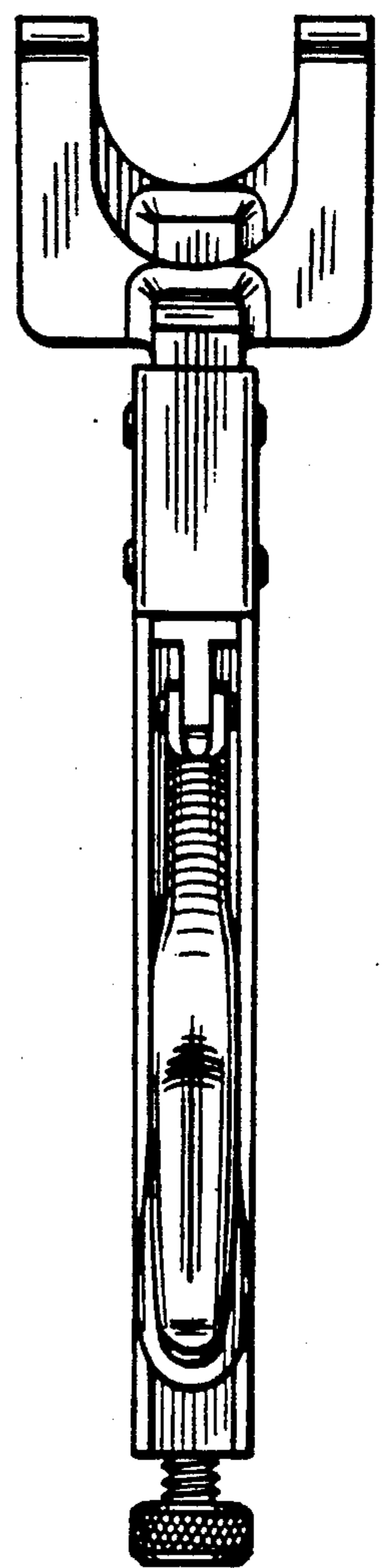


FIG. 5

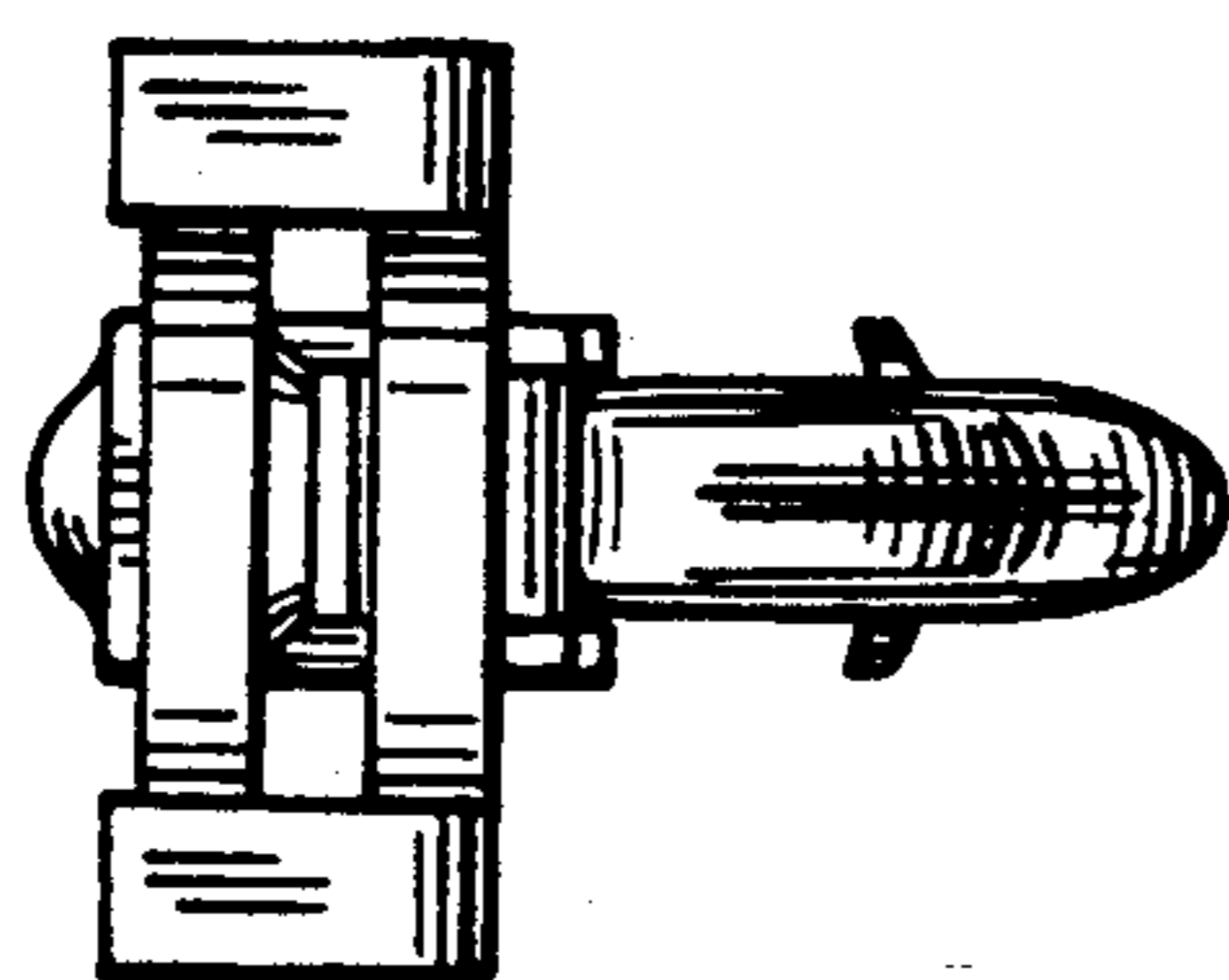


FIG. 6

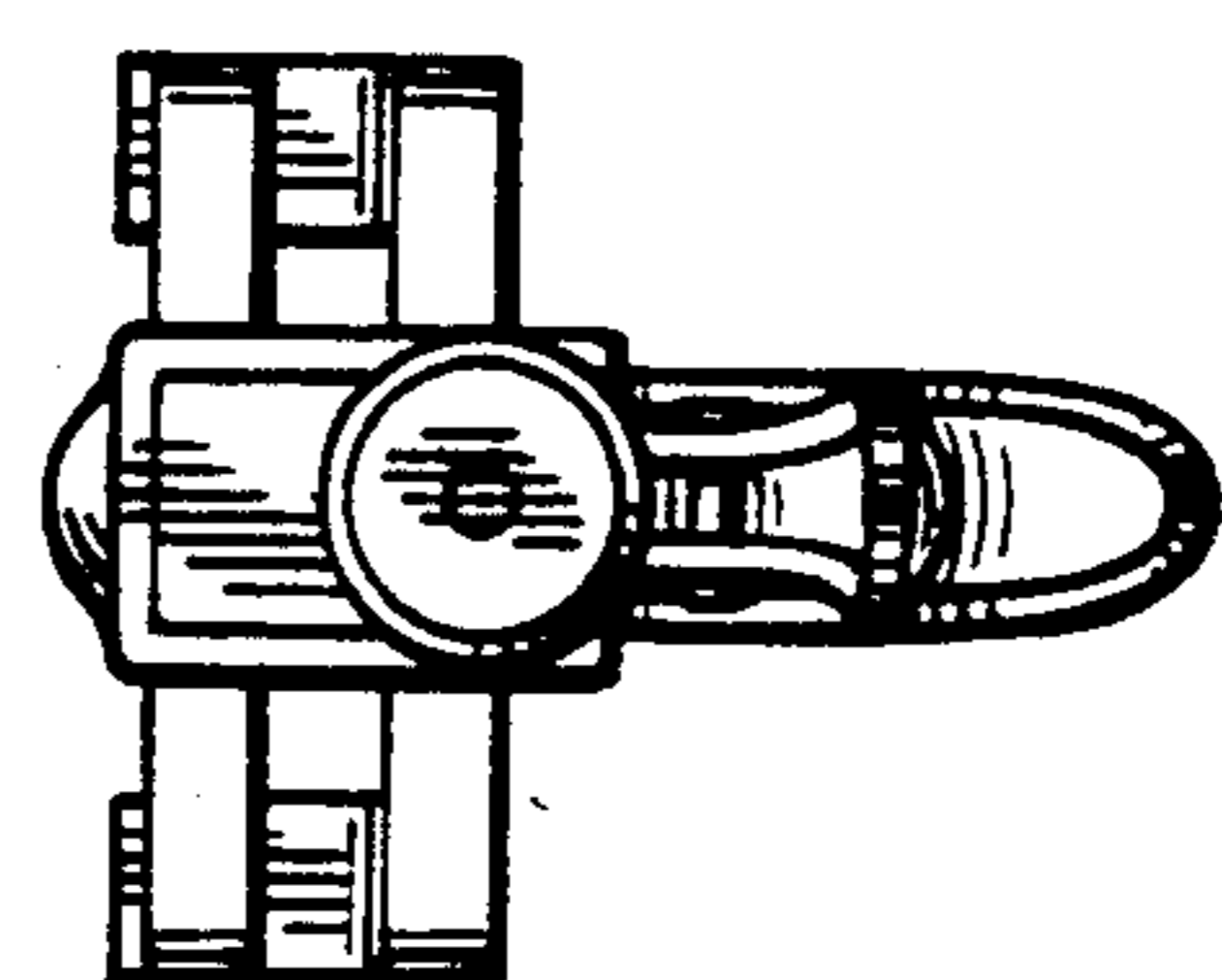


FIG. 7