



US00D333770S

United States Patent [19]

Jureckson

[11] Patent Number: **Des. 333,770**

[45] Date of Patent: **** Mar. 9, 1993**

[54] **HEX KEY HOLDER**

4,966,288 10/1990 Kirkham 211/60.1

[75] Inventor: **Mitchell Jureckson, Lancaster, Pa.**

OTHER PUBLICATIONS

[73] Assignee: **SPS Technologies, Inc., Newtown, Pa.**

Unbrako® Product Brochure—Hex Keys and Key Kits.

[**] Term: **14 Years**

Allen Catalog No. HT-181 Allen Hand Tools: The Original (Brochure).

[21] Appl. No.: **775,379**

Eklind Hex Keys—Catalog 189.

[22] Filed: **Oct. 15, 1991**

Primary Examiner—Alan P. Douglas

[52] U.S. Cl. **D8/71; D6/469**

Assistant Examiner—Jeffrey Asch

[58] Field of Search **D6/449, 396, 416, 466-469, D6/475, 476; D8/71; D24/227, 229, 230; D7/637, 641; D34/21; D19/75, 85; 211/70.6, 69, 60.1, 89, 13, 74**

Attorney, Agent, or Firm—James D. Dee; Aaron Nerenberg

[57] **CLAIM**

The ornamental design for a hex key holder, as shown and described.

[56] **References Cited**

DESCRIPTION

U.S. PATENT DOCUMENTS

- D. 31,823 11/1899 Bothwell D6/468
- D. 44,078 5/1913 Treadway D6/468
- D. 217,993 7/1970 Woofter D19/85 X
- D. 253,154 10/1979 Kriesten et al. D6/467 X
- 1,733,868 10/1929 Durell 211/70.6
- 2,070,507 2/1937 Bishop D6/467 X
- 2,974,804 3/1961 Maro 211/70.6
- 3,109,084 10/1963 Walsh D24/230 X
- 3,759,538 9/1973 Fabiano 211/70.6 X
- 4,880,122 11/1989 Martindell 211/70.6

FIG. 1 is a perspective view of a hex key holder showing my new design;

FIG. 2 is a side elevational view of my new design;

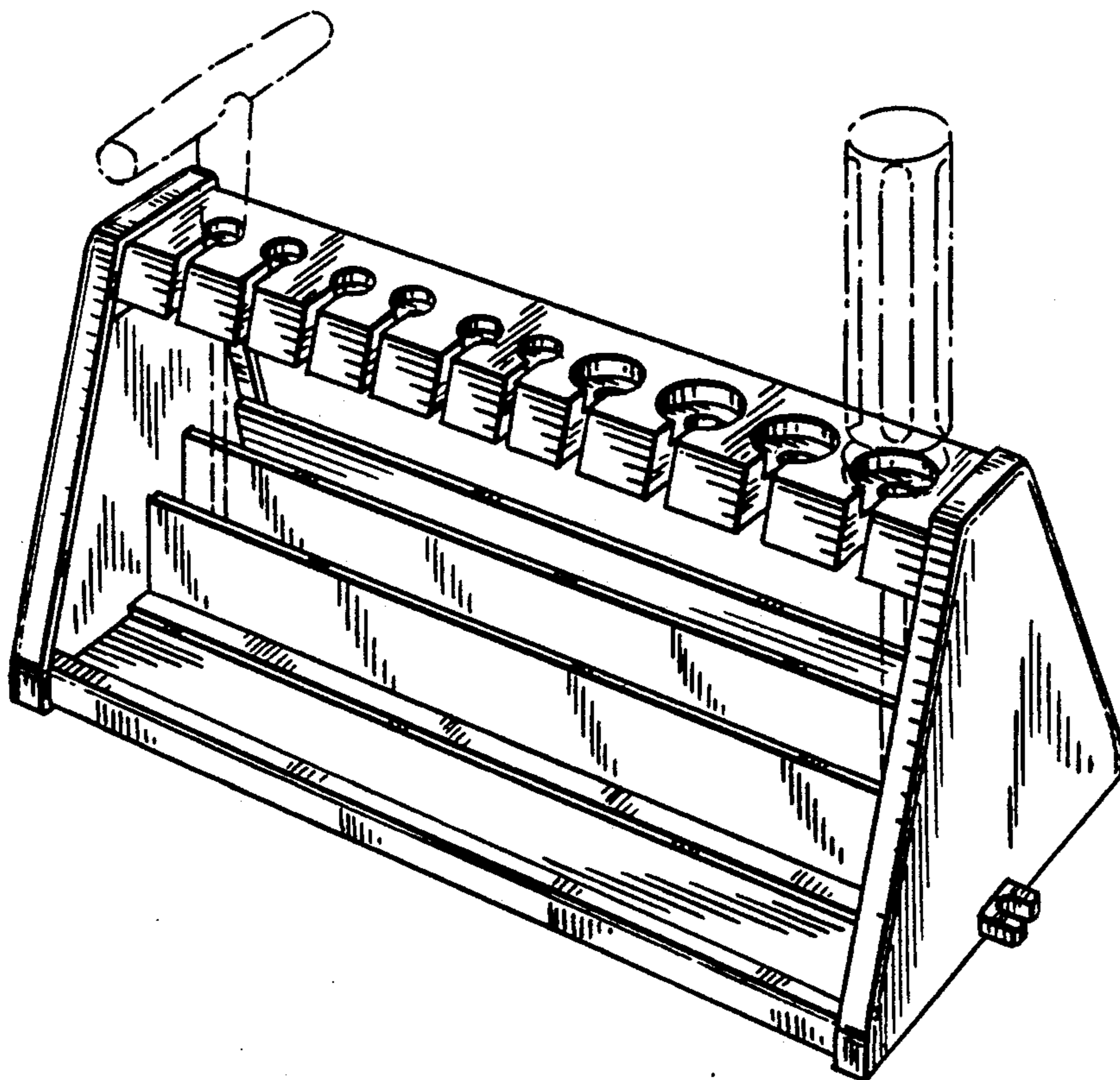
FIG. 3 is a top elevational view of my new design;

FIG. 4 is a front elevational view of my new design;

FIG. 5 is a rear elevational view of my new design; and,

FIG. 6 is a bottom plan view of my new design.

The broken line illustrations in the drawings, showing several types of hex keys positioned in the hex key holder, are not part of the design sought to be patented.



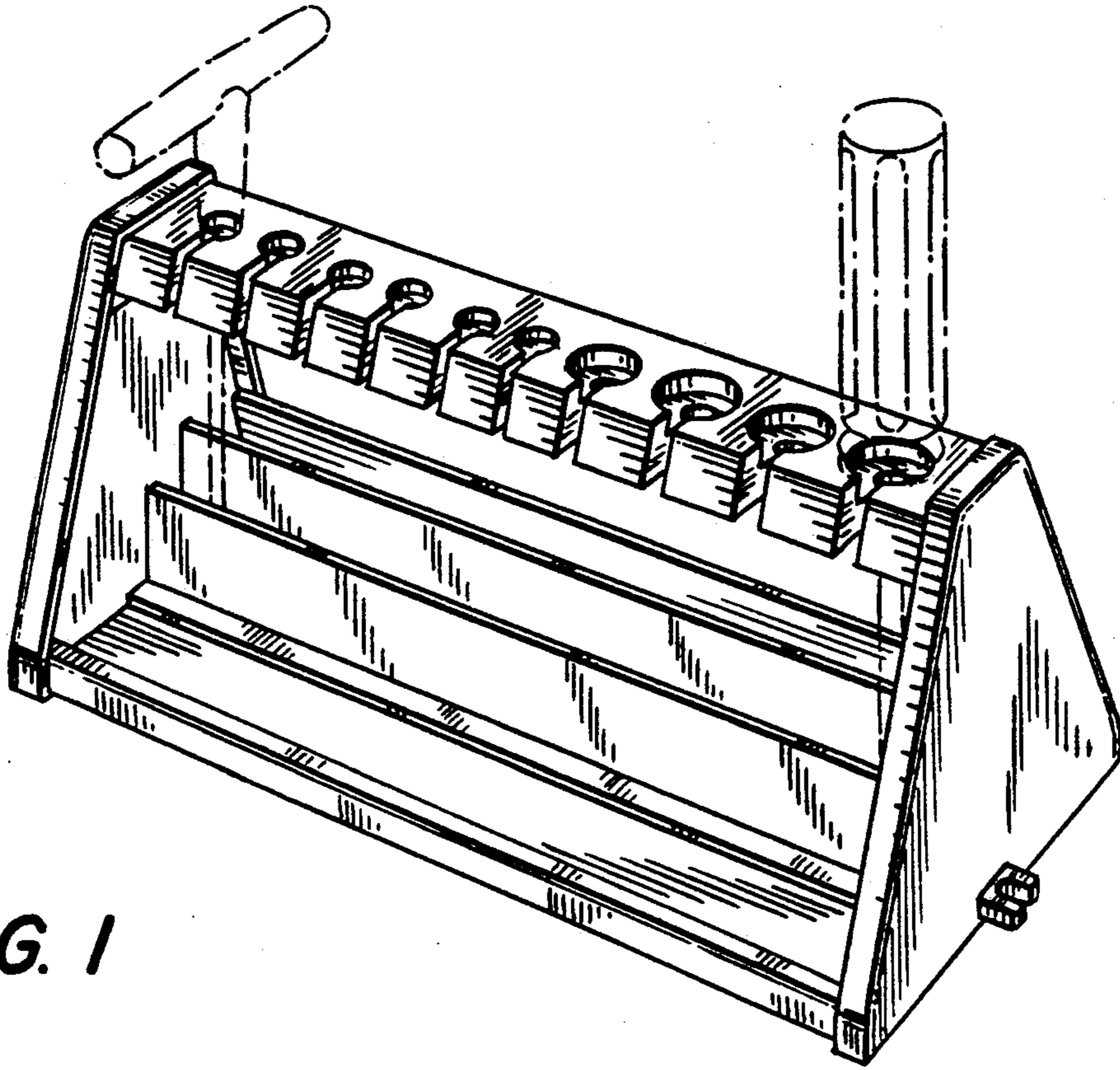


FIG. 1

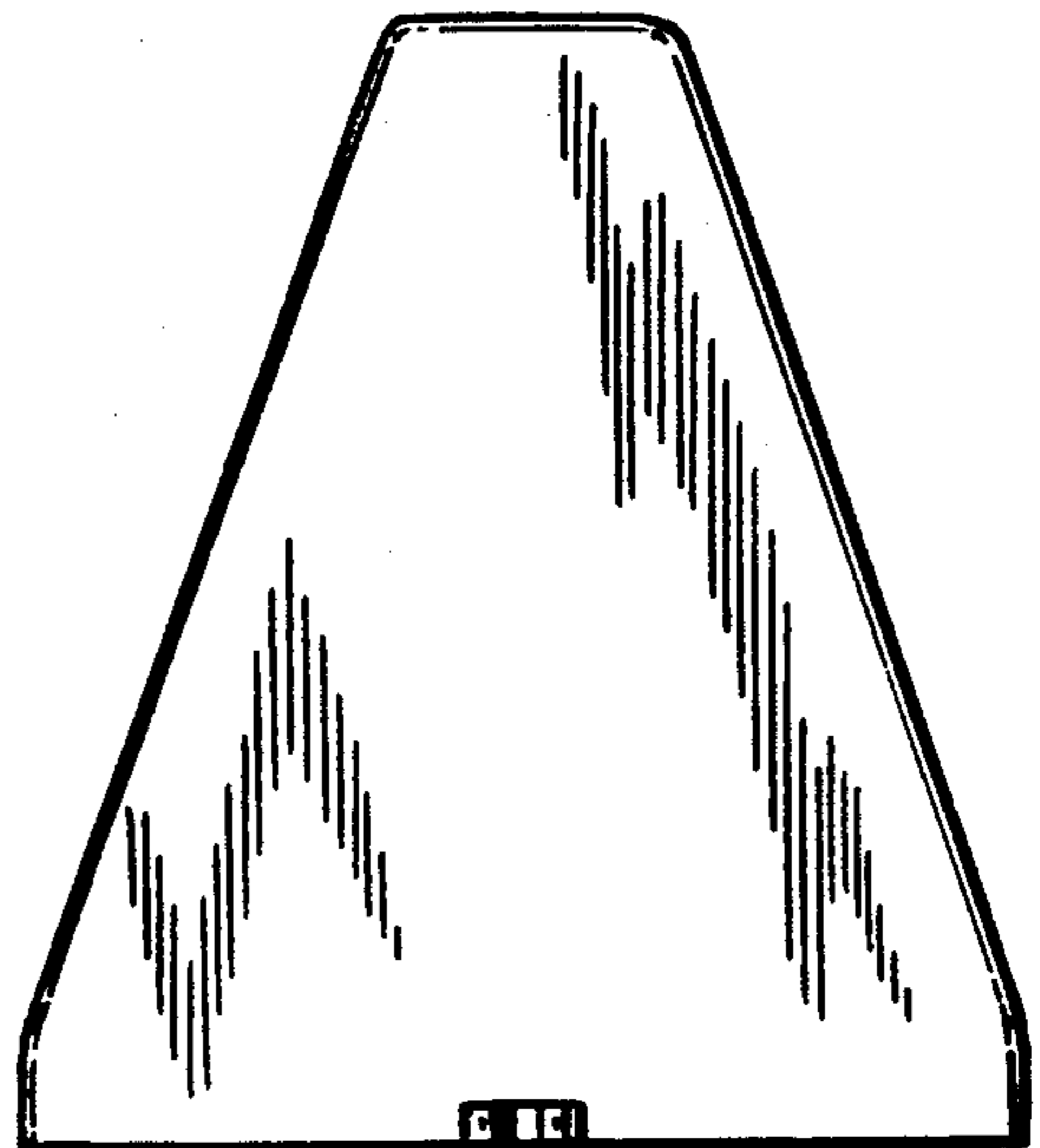


FIG. 2

FIG. 3

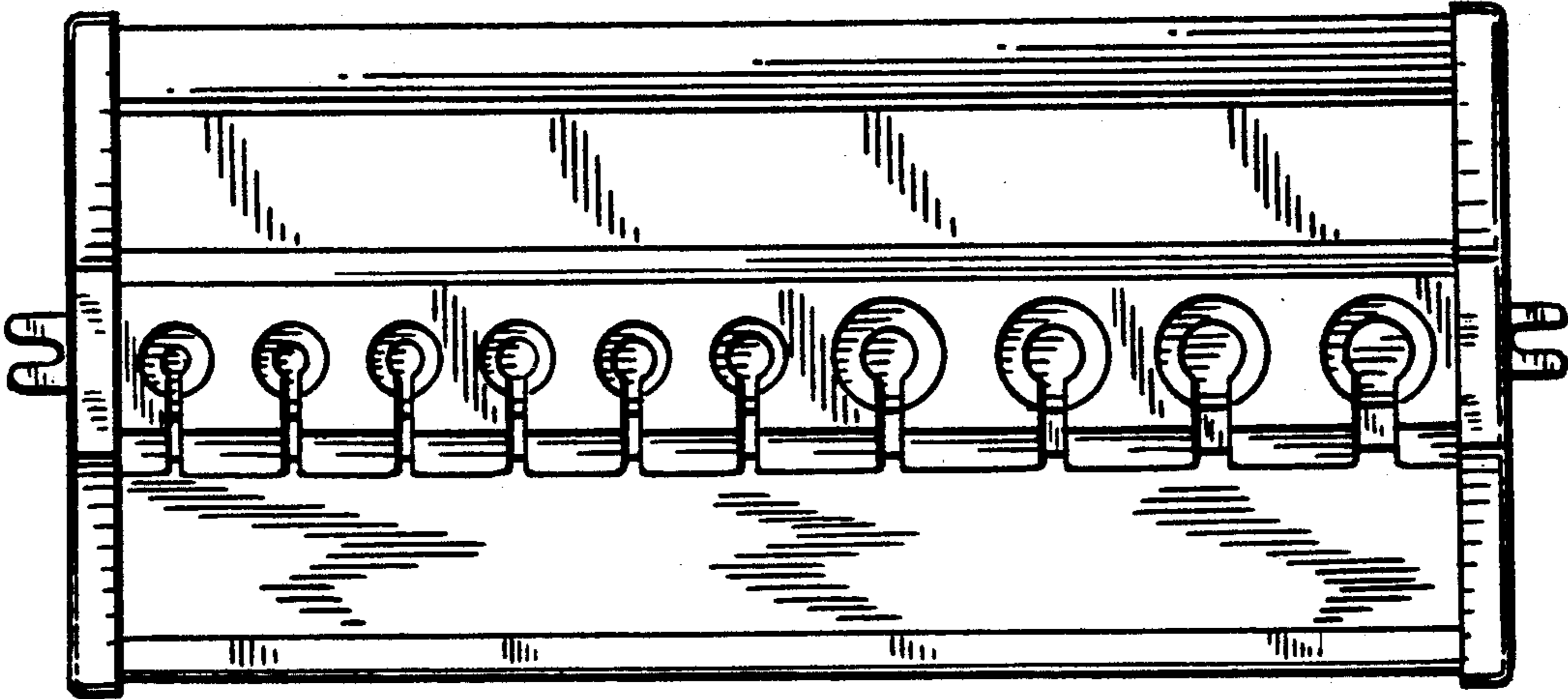


FIG. 4

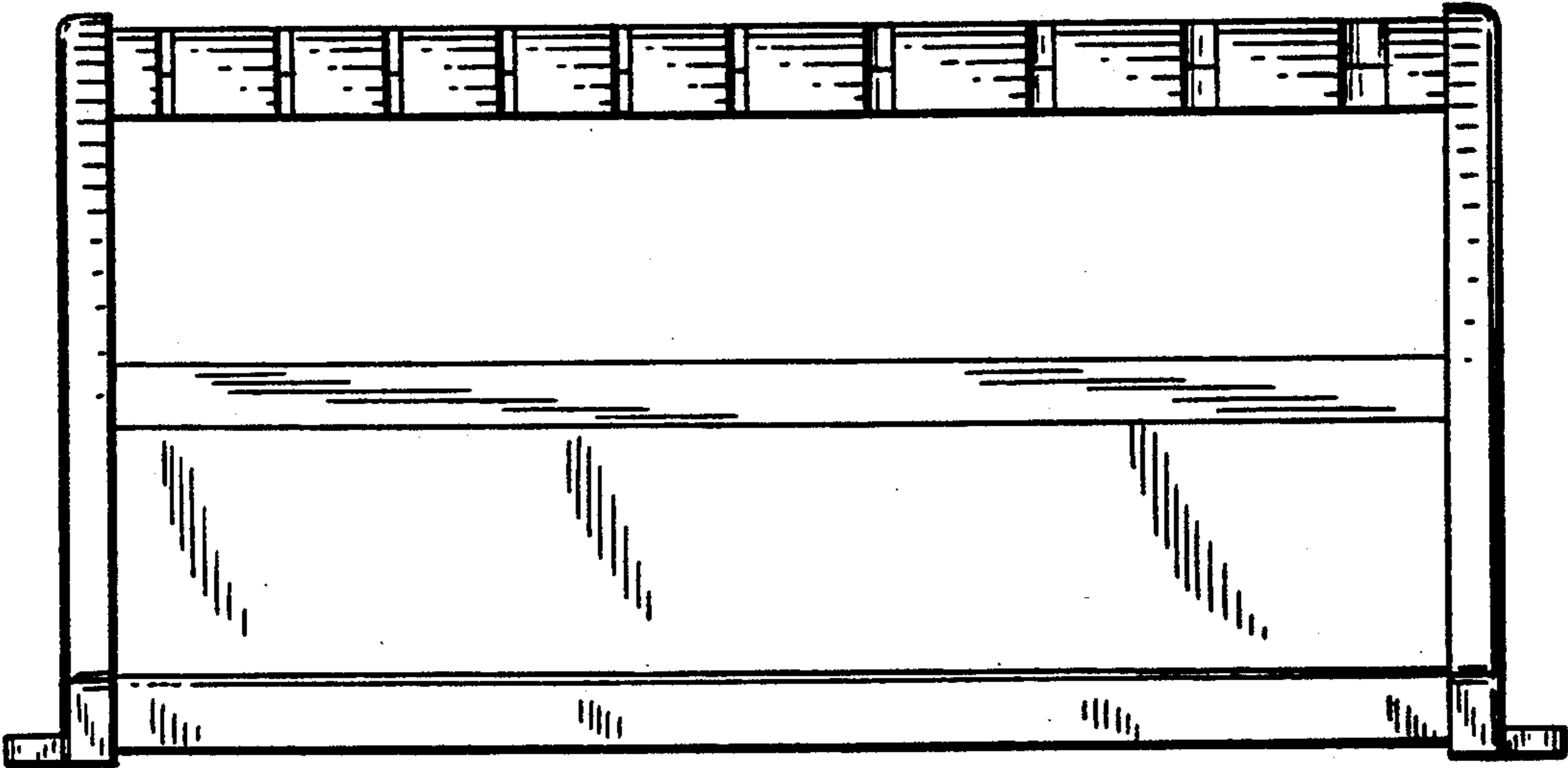


FIG. 5

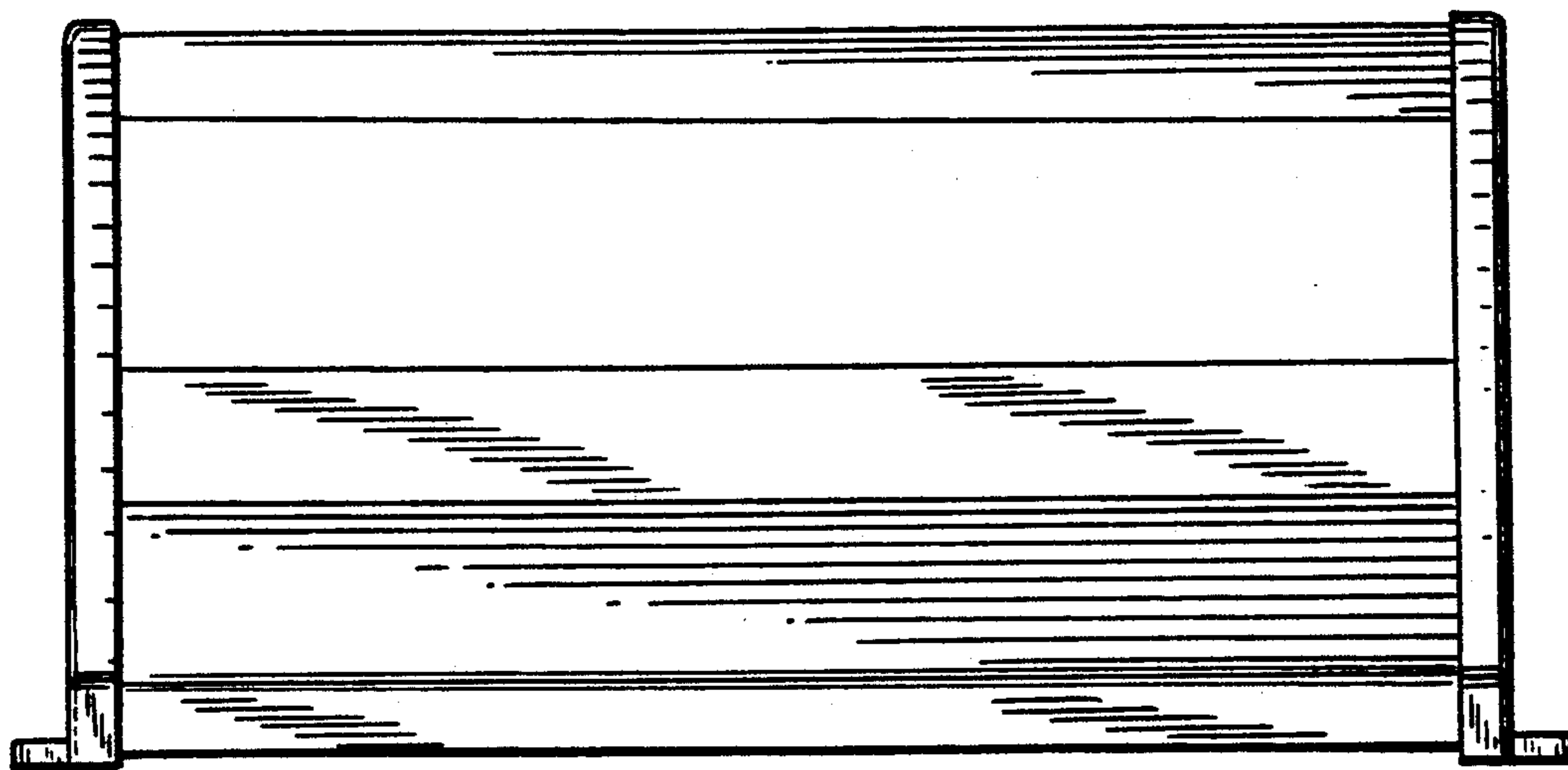


FIG. 6

