



US00D333769S

United States Patent [19]

[11] Patent Number: **Des. 333,769**

Jureckson

[45] Date of Patent: **** Mar. 9, 1993**

[54] HEX KEY HOLDER

[75] Inventor: **Mitchell Jureckson, Lancaster, Pa.**

[73] Assignee: **SPS Technologies, Inc., Newtown, Pa.**

[**] Term: **14 Years**

[21] Appl. No.: **775,380**

[22] Filed: **Oct. 15, 1991**

[52] U.S. Cl. **D8/71; D6/469**

[58] Field of Search **D6/396, 449, 416, 466-469, D6/475, 476; D8/71; D24/227, 229, 230; D7/637, 641; D34/21; D19/75, 85; 211/70.6, 69, 60.1, 89, 13, 74**

[56] References Cited

U.S. PATENT DOCUMENTS

D. 41,945	11/1911	Heinz	D6/469
D. 59,130	9/1921	Samstag	D6/468
D. 110,692	8/1938	Durell	D6/468
D. 145,868	11/1946	Fletcher	D19/85 X
D. 149,205	4/1948	Newman	D6/469
D. 169,077	3/1953	Mains, Jr.	211/70.6 X
D. 292,359	10/1987	Daw	D7/637
D. 294,209	2/1988	Havelka	D8/71 X
1,973,188	9/1934	Verderber	211/13 X

OTHER PUBLICATIONS

Unbrako® Product Brochure-Hex Keys and Key Kits.
Allen Catalog No. HT-181.
Allen Hand Tools. The Original (Brochure).
Eklind Hex Keys-Catalog 189.

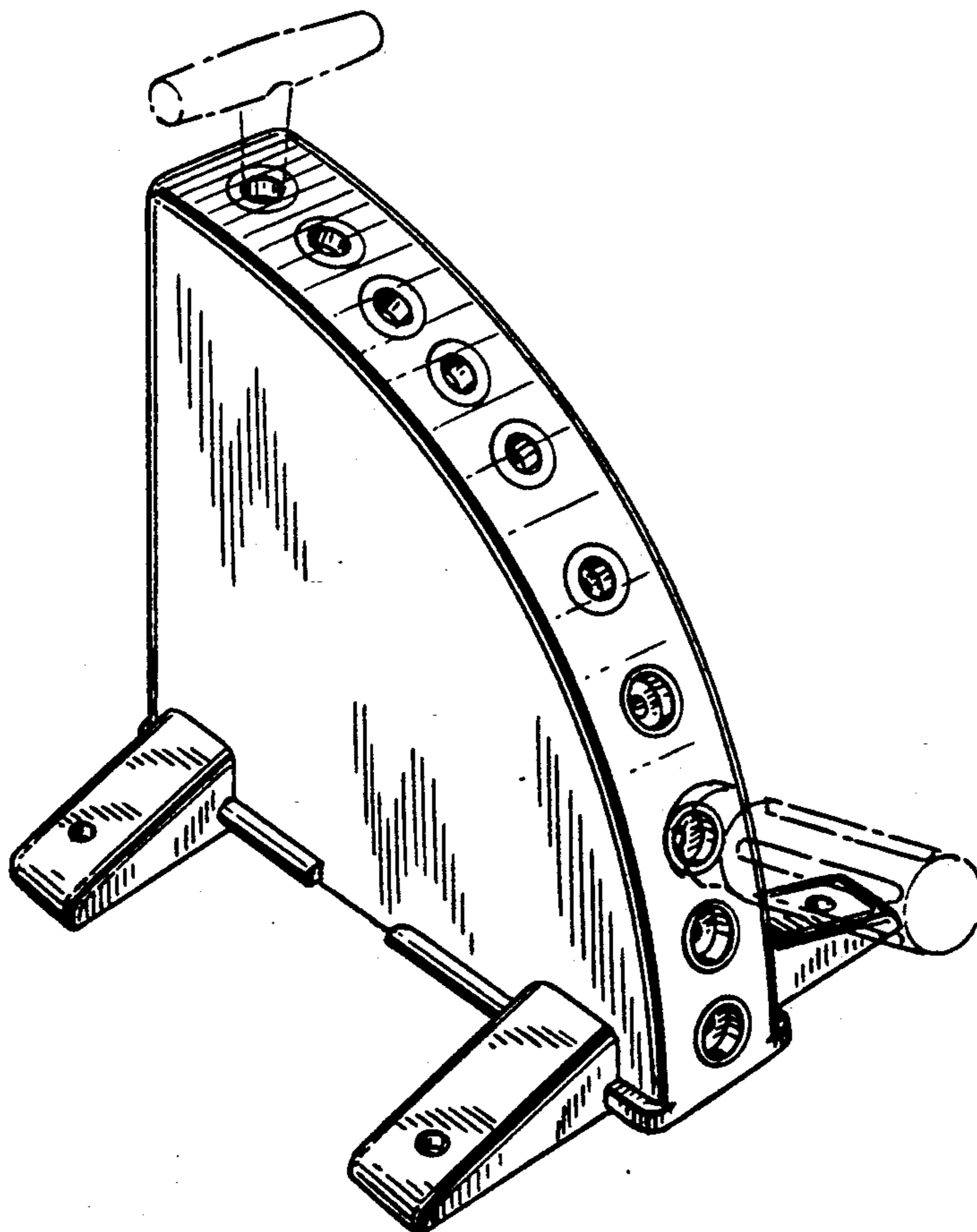
Primary Examiner—Alan P. Douglas
Assistant Examiner—Jeffrey Asch
Attorney, Agent, or Firm—James D. Dee; Aaron Nerenberg

[57] CLAIM

The ornamental design for a hex key holder, as shown and described.

DESCRIPTION

FIG. 1 is a perspective view of a hex key holder showing my new design;
FIG. 2 is a front elevational view of my new design;
FIG. 3 is a top elevational view of my new design;
FIG. 4 is a side elevational view of my new design;
FIG. 5 is a rear elevational view of my new design; and,
FIG. 6 is a bottom plan view of my new design.
The broken line illustrations in the drawings, showing several types of hex keys positioned in the hex key holder, are not part of the design sought to be patented.



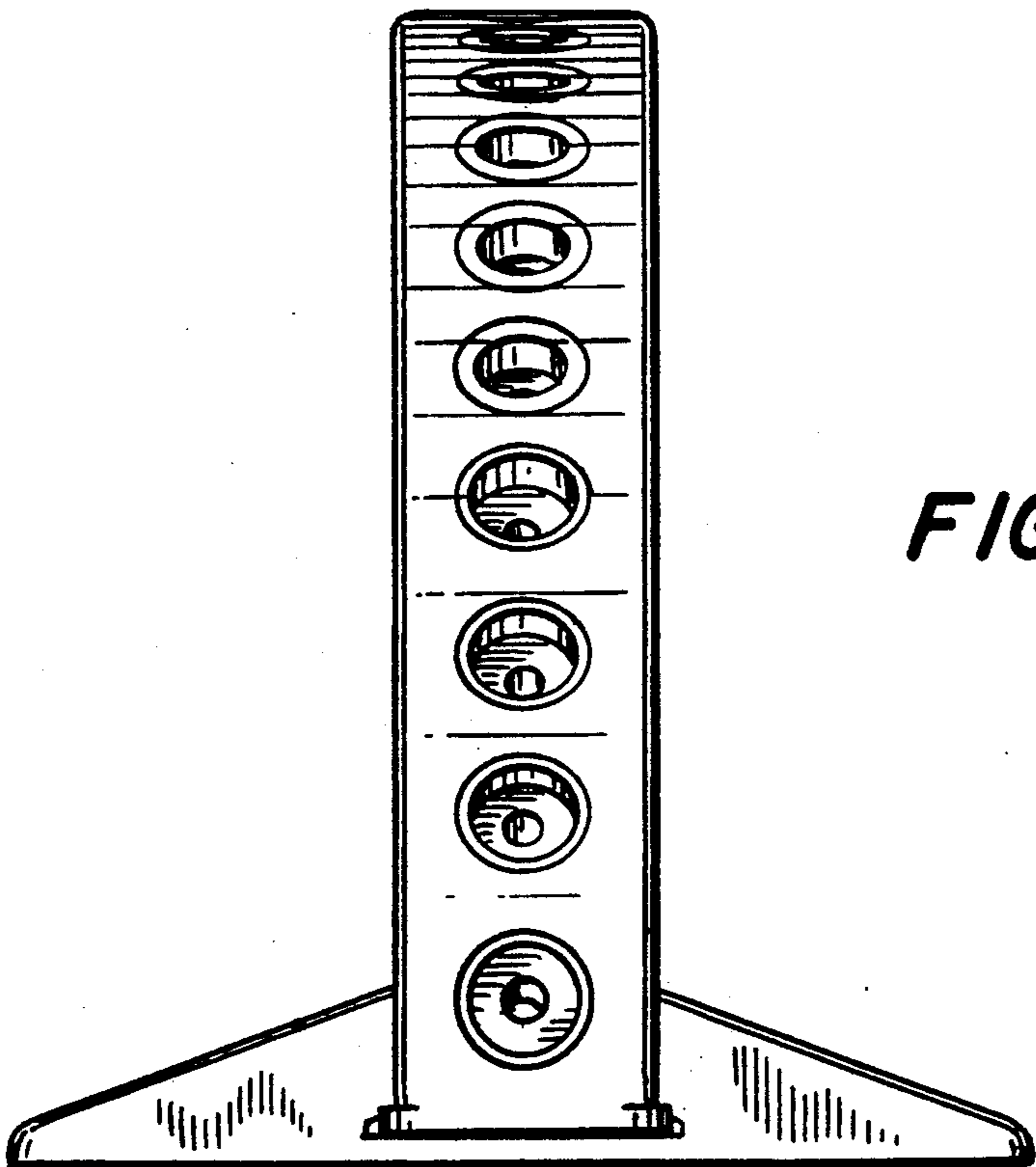
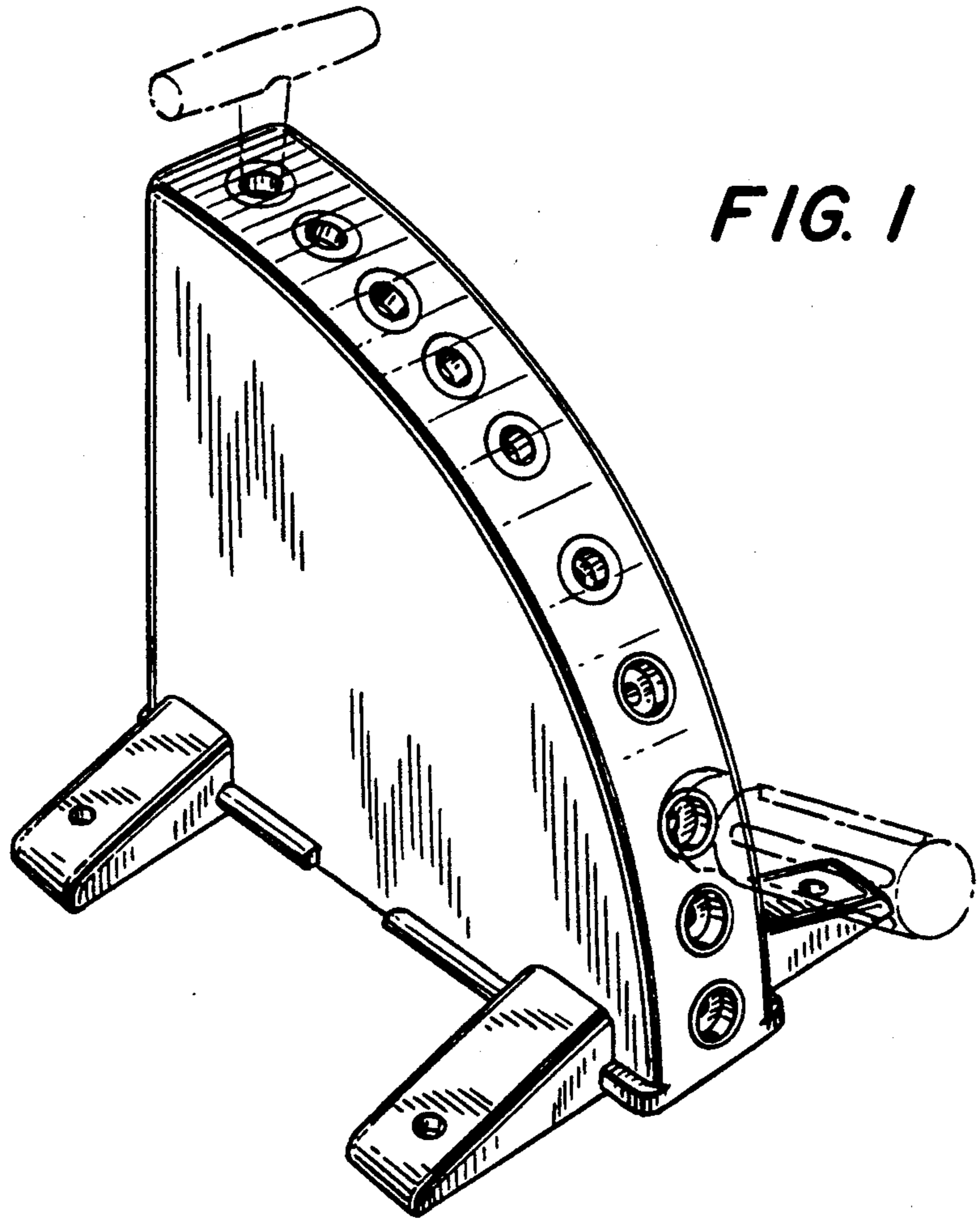


FIG. 3

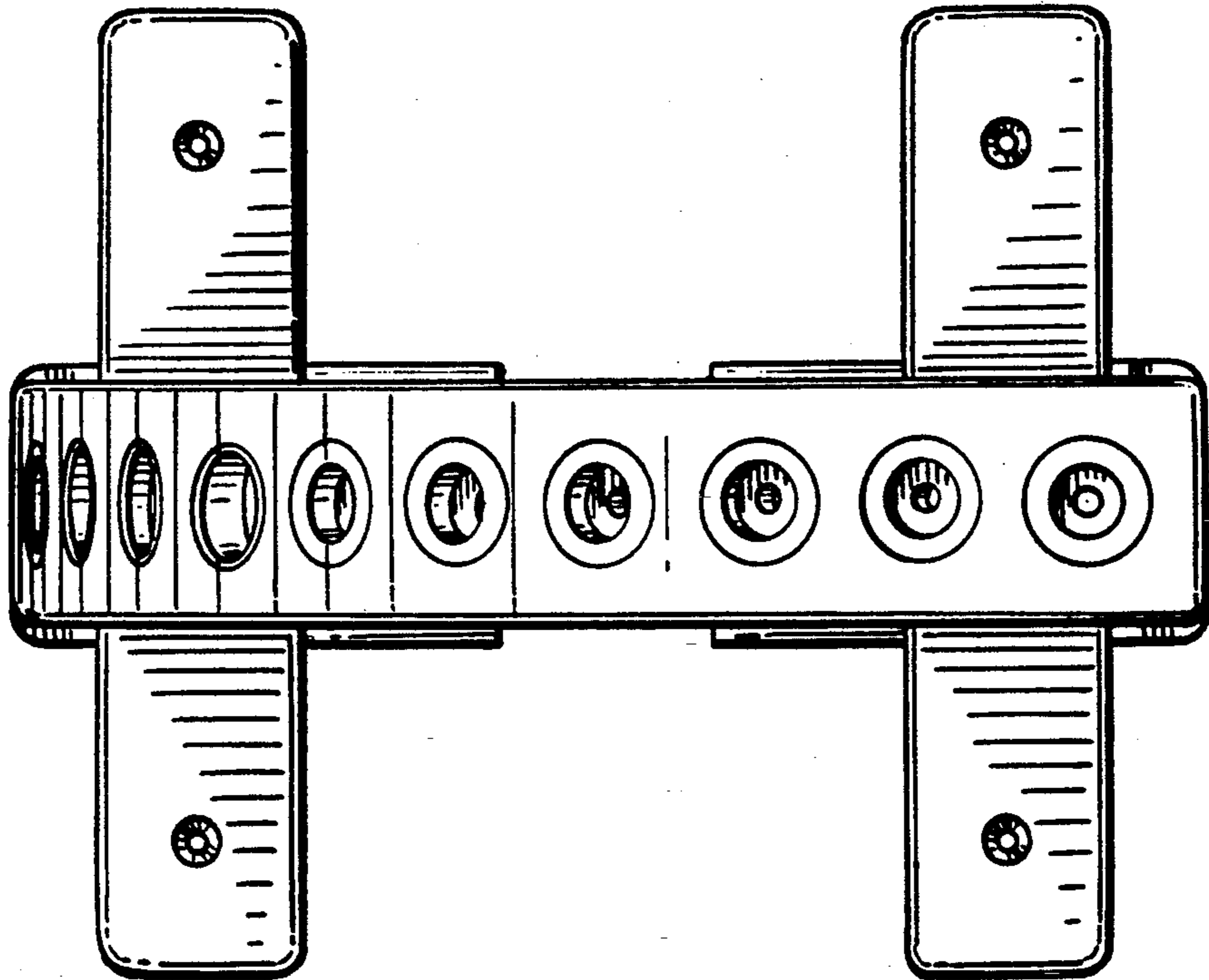


FIG. 4

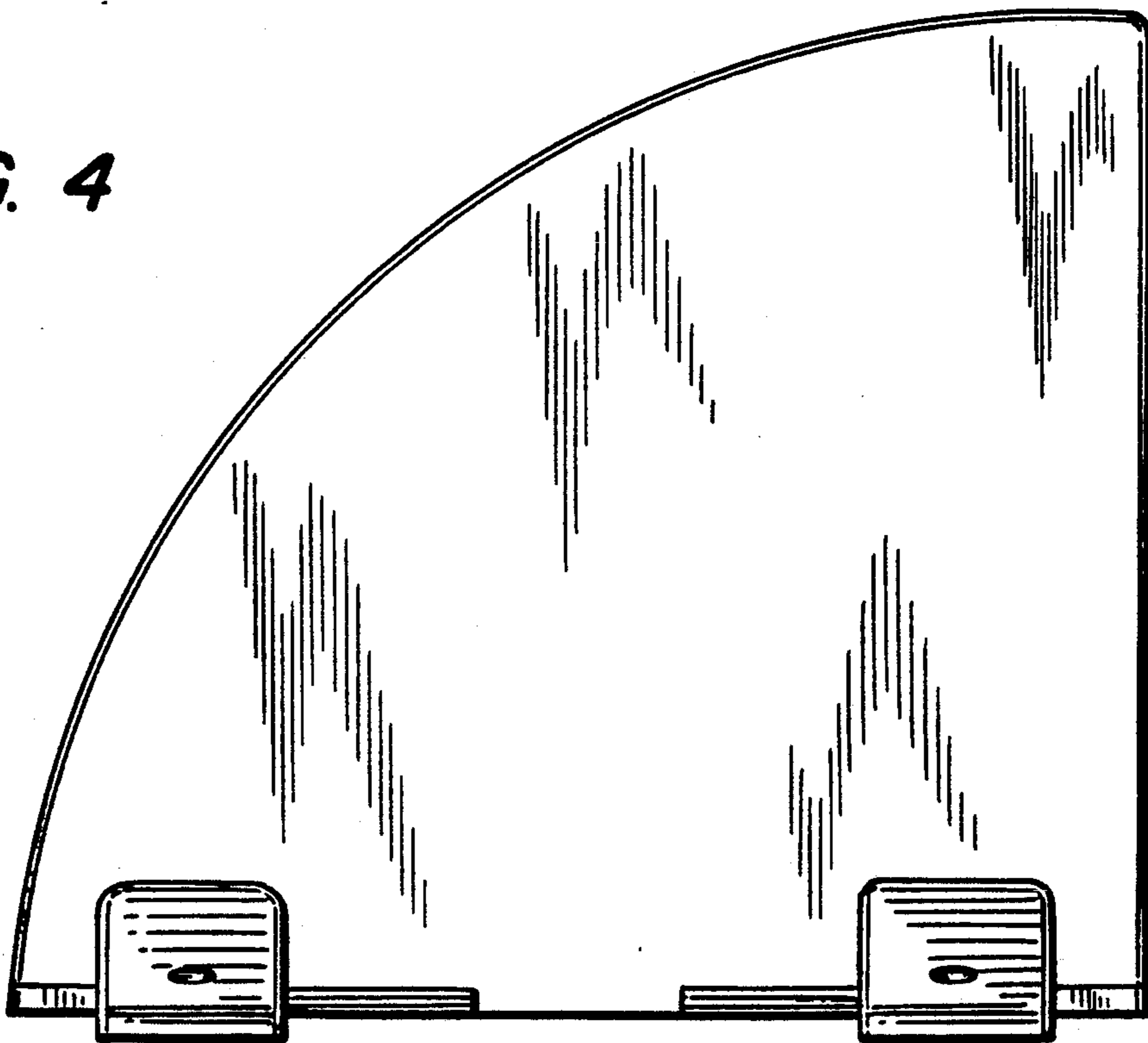


FIG. 5

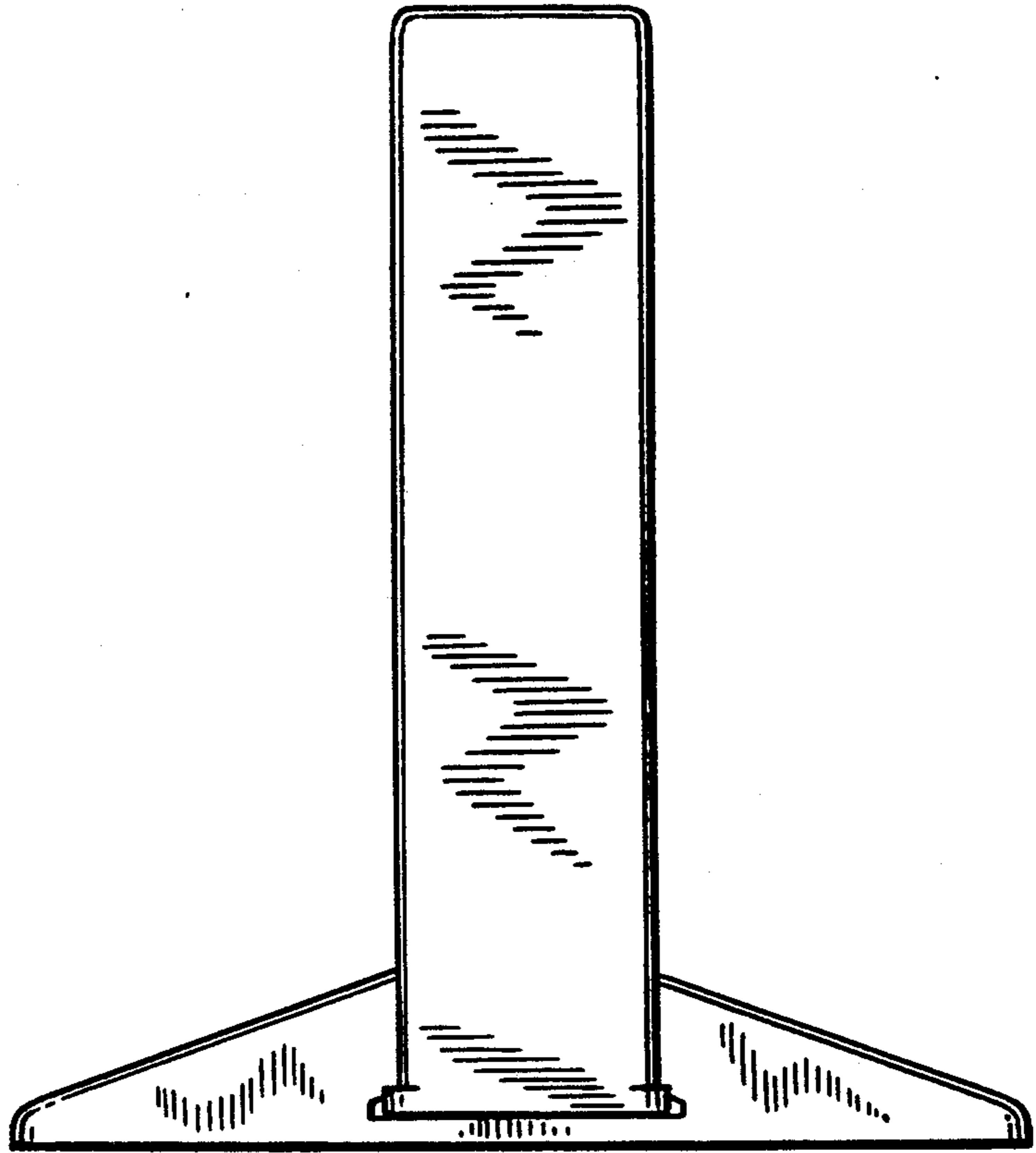


FIG. 6

