



US00D333768S

# United States Patent [19]

Schulenberg

[11] Patent Number: **Des. 333,768**

[45] Date of Patent: **\*\* Mar. 9, 1993**

[54] MITRE SAW GUIDE

[76] Inventor: Gary Schulenberg, 421 Woodrow Ave., Dunkirk, N.Y. 14048

[\*\*] Term: 14 Years

[21] Appl. No.: 504,984

[22] Filed: Apr. 4, 1990

[52] U.S. Cl. .... D8/71; D8/64

[58] Field of Search ..... D8/71, 64, 66; 83/760, 83/766, 764, 581

3,935,779	2/1976	Hildebrandt .....	83/762
4,377,959	3/1983	DeCarolis .....	83/762
4,712,462	12/1987	Cvek .....	83/762

Primary Examiner—Alan P. Douglas  
Assistant Examiner—J. H. Musgrove  
Attorney, Agent, or Firm—Terry M. Gernstein

### [57] CLAIM

The ornamental design for a mitre saw guide, as shown and described.

### DESCRIPTION

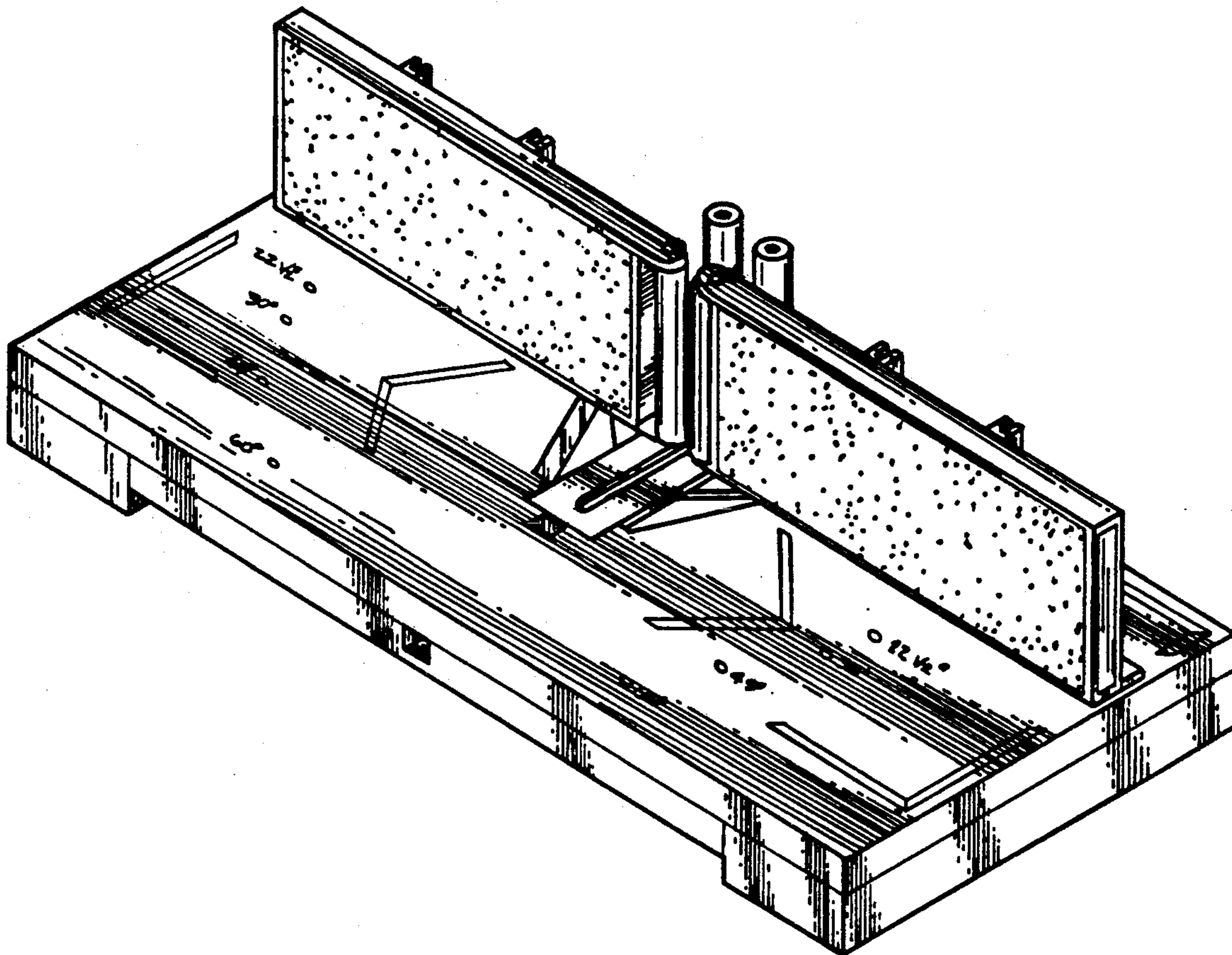
FIG. 1 is a top, front and right side of a mitre saw guide showing my new design;  
FIG. 2 is a front elevational view thereof;  
FIG. 3 is a rear elevational view thereof;  
FIG. 4 is a right side elevational view the left side being a mirror image;  
FIG. 5 is a top plan view thereof; and,  
FIG. 6 is a bottom view thereof.

[56]

### References Cited

#### U.S. PATENT DOCUMENTS

D. 266,901	11/1982	Ferdinand et al. ....	D8/71
D. 272,985	3/1984	Beerens .....	D8/71
D. 305,542	1/1990	Miyamoto et al. ....	D8/71
991,947	5/1911	Campbell .....	83/760
3,028,888	4/1962	Chapin et al. ....	83/761
3,782,235	1/1974	Curcio .....	83/762



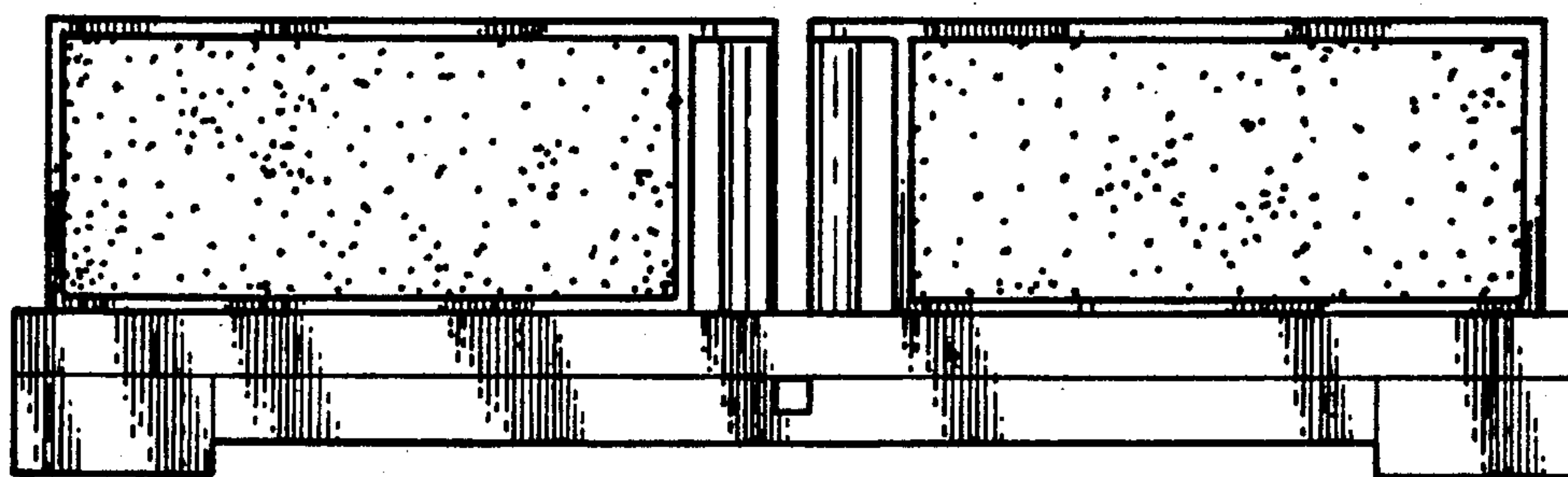
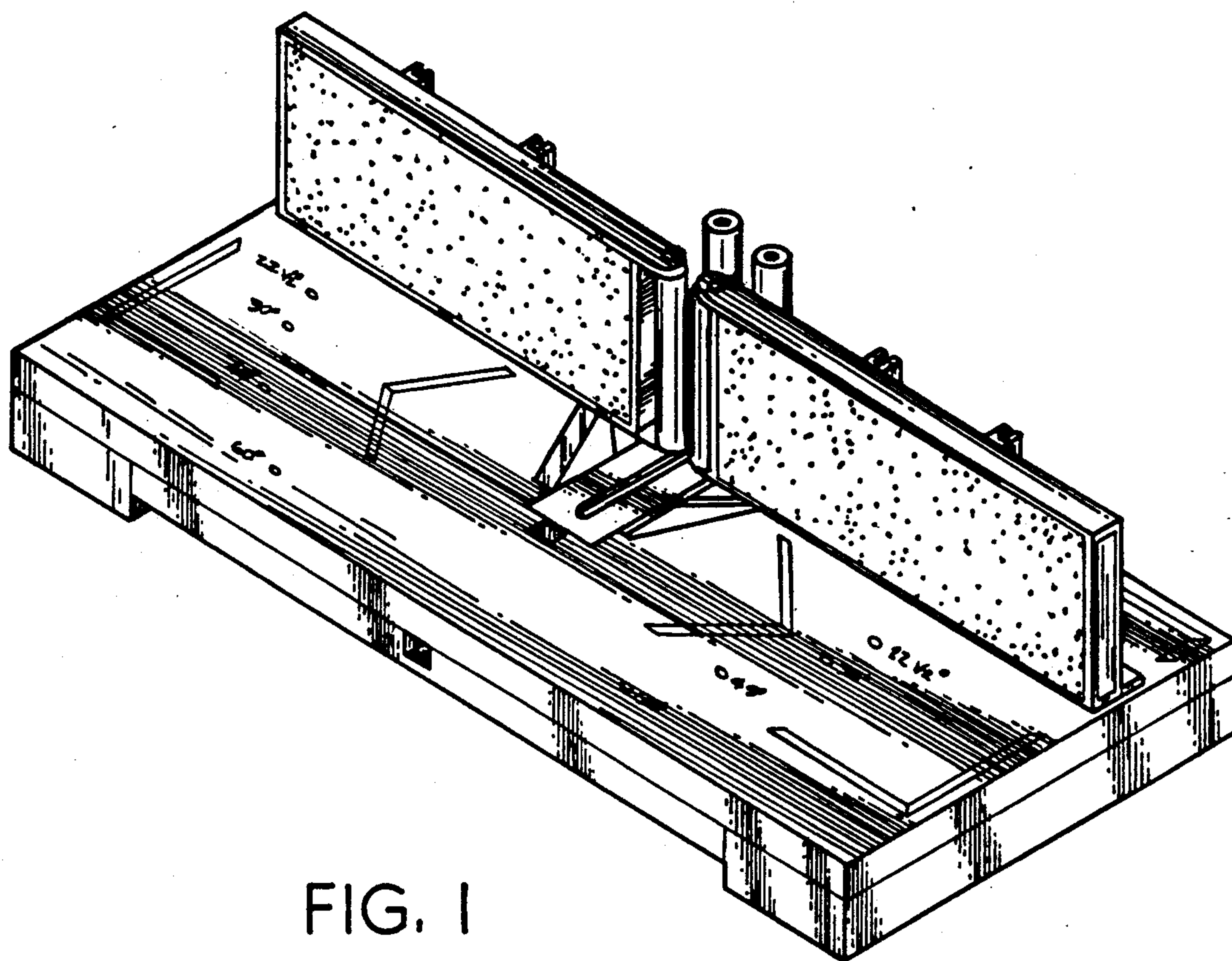


FIG. 4

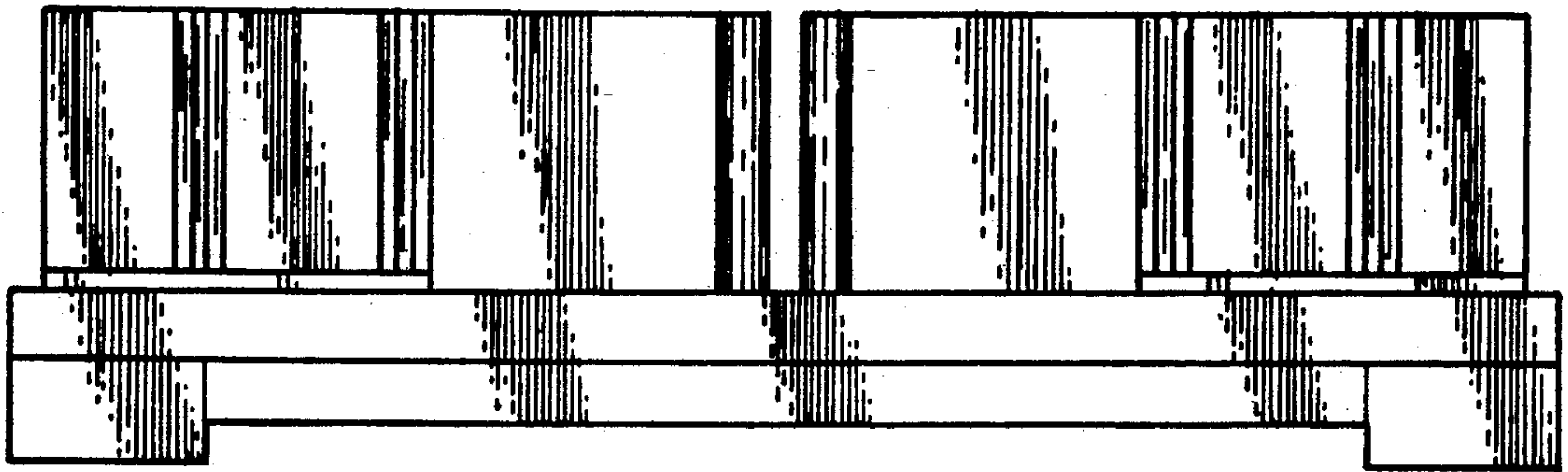
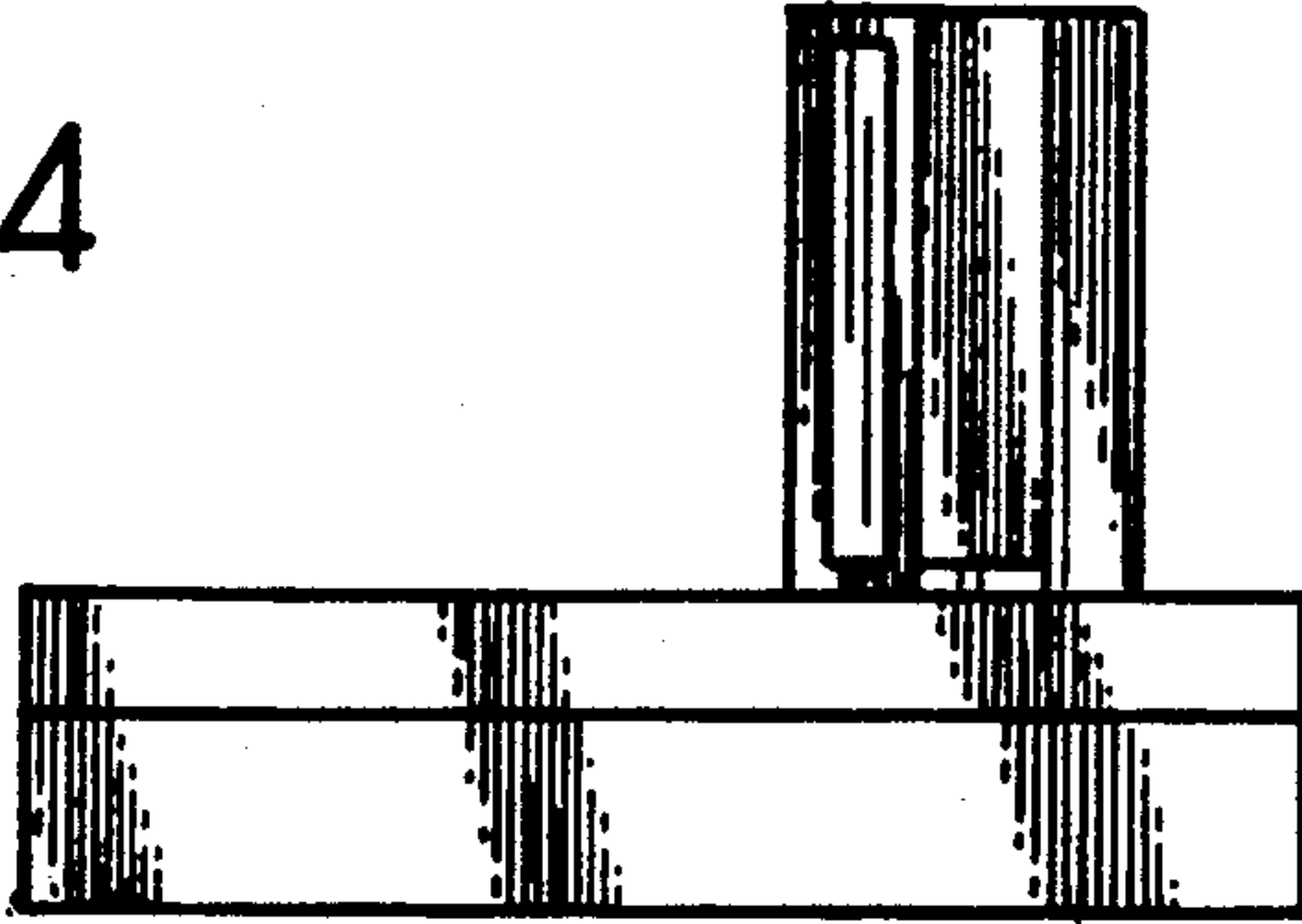


FIG. 3



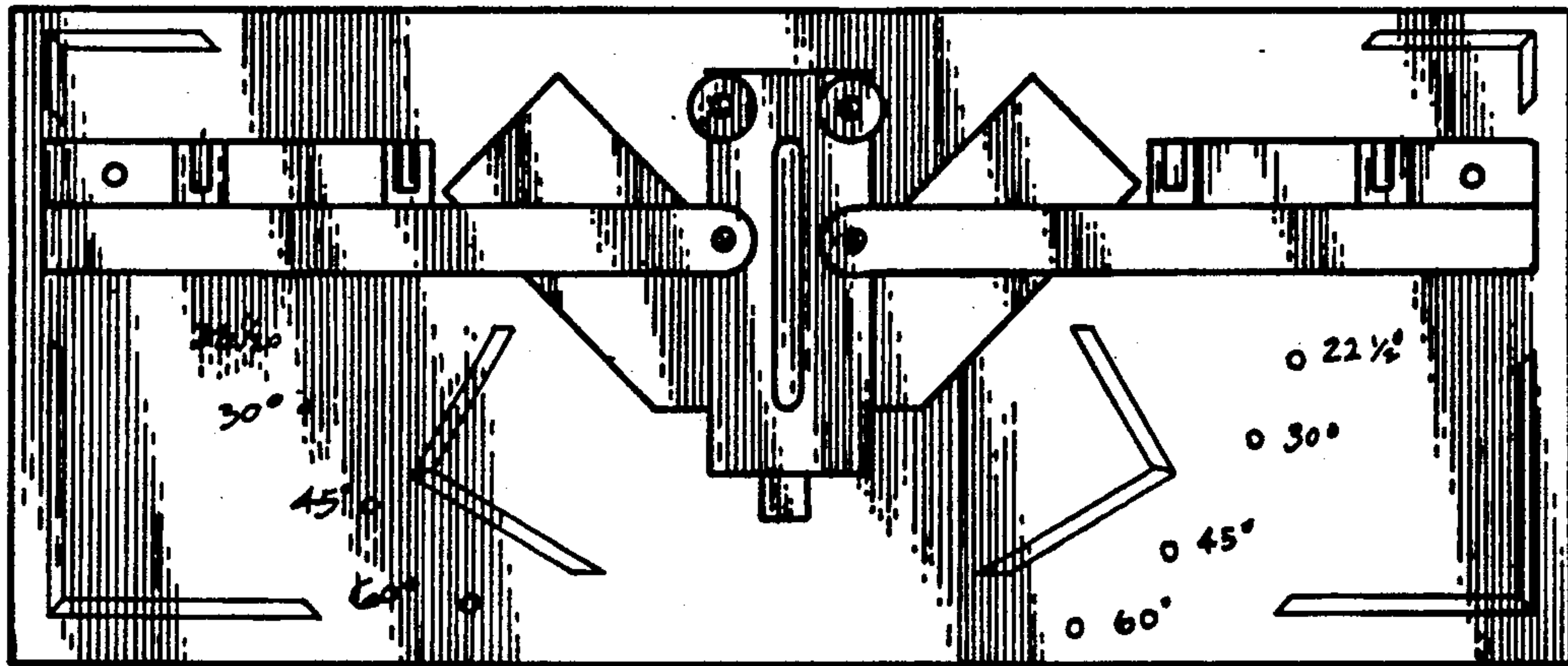


FIG. 5

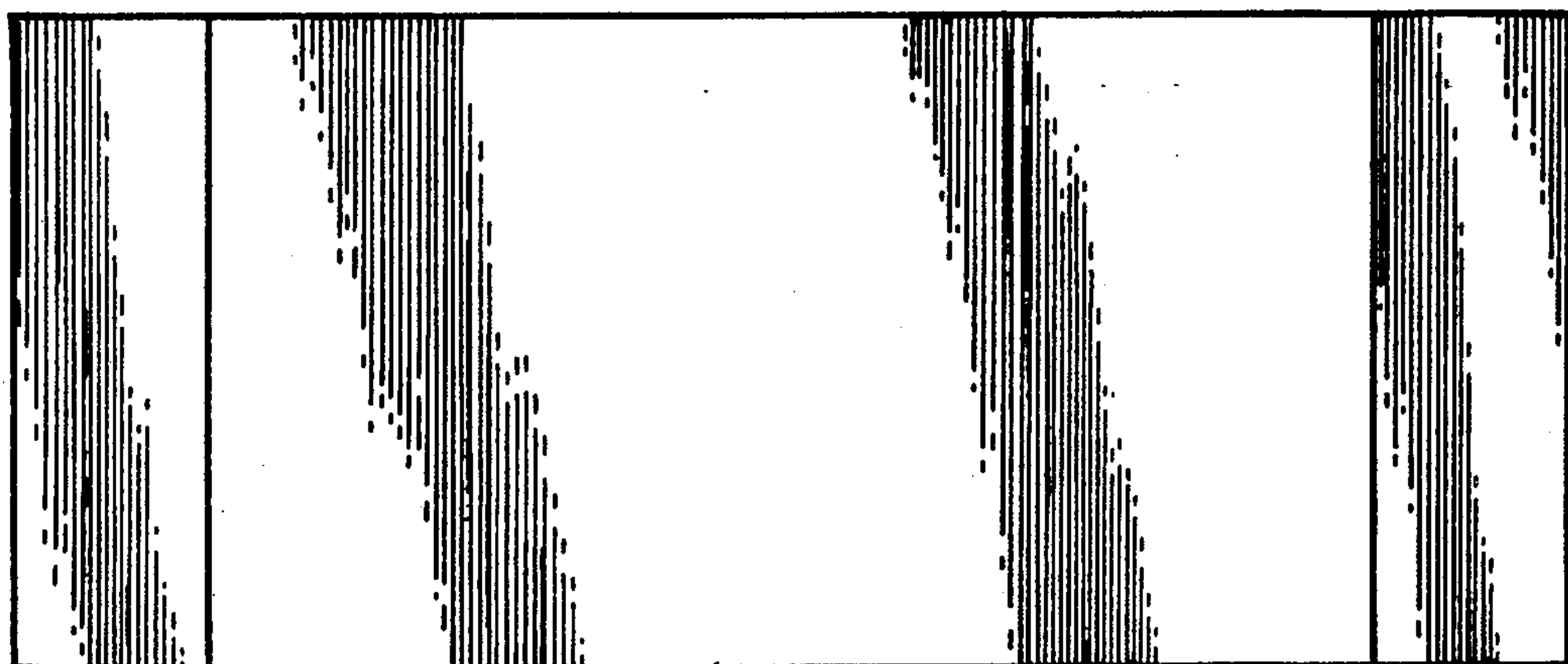


FIG. 6