



US00D333767S

United States Patent [19]

[11] Patent Number: **Des. 333,767**

Sasaki et al.

[45] Date of Patent: **** Mar. 9, 1993**

[54] **PORTABLE CORDLESS HAMMER**

4,930,583 6/1990 Fushiya et al. 173/217

[75] Inventors: **Yuichiro Sasaki; Chikai Yoshimizu,**
both of Katsuta, Japan

OTHER PUBLICATIONS

[73] Assignee: **Hitachi Koki Company, Limited,**
Tokyo, Japan

Reference "A" page from a brochure of the Matsushita Corporation's brochure on a Battery Powered Hammer Drill, Models EZ6810BK and EZ6801BK.

[**] Term: **14 Years**

Reference "B" page from the Bosch Corporation's brochure on a Hammer Drill, Models GBH12VRE and GBH24VRE.

[21] Appl. No.: **600,354**

[22] Filed: **Oct. 19, 1990**

Primary Examiner—Alan P. Douglas
Assistant Examiner—J. H. Musgrove
Attorney, Agent, or Firm—Lowe, Price, Leblanc & Becker

[30] Foreign Application Priority Data

Feb. 23, 1990 [JP] Japan 2-5840

[52] U.S. Cl. **D8/69**

[58] Field of Search **D8/61, 69; 81/57, 57.11,**
81/57.13, 57.14; 173/48, 90-93, 170

[57] CLAIM

The ornamental design for a portable cordless hammer, as shown.

[56] References Cited

U.S. PATENT DOCUMENTS

D. 243,742	3/1977	House, II et al.	D8/69
D. 323,961	2/1992	Fushiya et al.	D8/61
3,602,318	8/1971	Slany	173/170
3,837,409	9/1974	Consoli et al.	173/170
3,998,278	12/1976	Stiltz et al.	173/48
4,442,906	4/1984	Simpson	173/48
4,750,567	6/1988	Grossmann et al.	173/48
4,763,733	8/1988	Neumaier	173/48

DESCRIPTION

FIG. 1 is a top, front and right side perspective view of a portable cordless hammer showing our new design; FIG. 2 is a right side elevational view thereof; FIG. 3 is a top plan view thereof; FIG. 4 is a front elevational view thereof; FIG. 5 is a rear elevational view thereof; FIG. 6 is a left side elevational view thereof; and, FIG. 7 is a bottom plan view thereof.

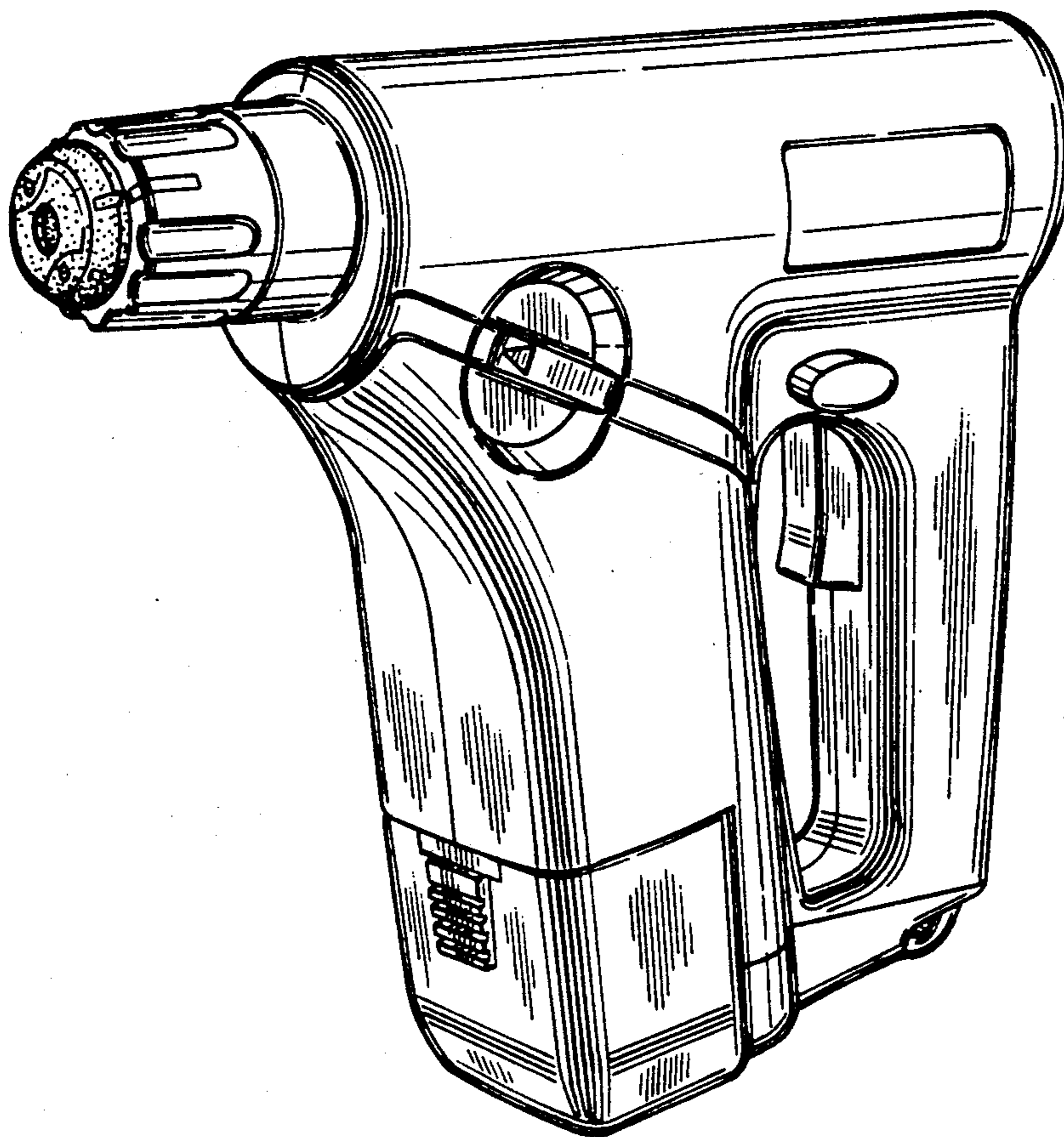


FIG. 1

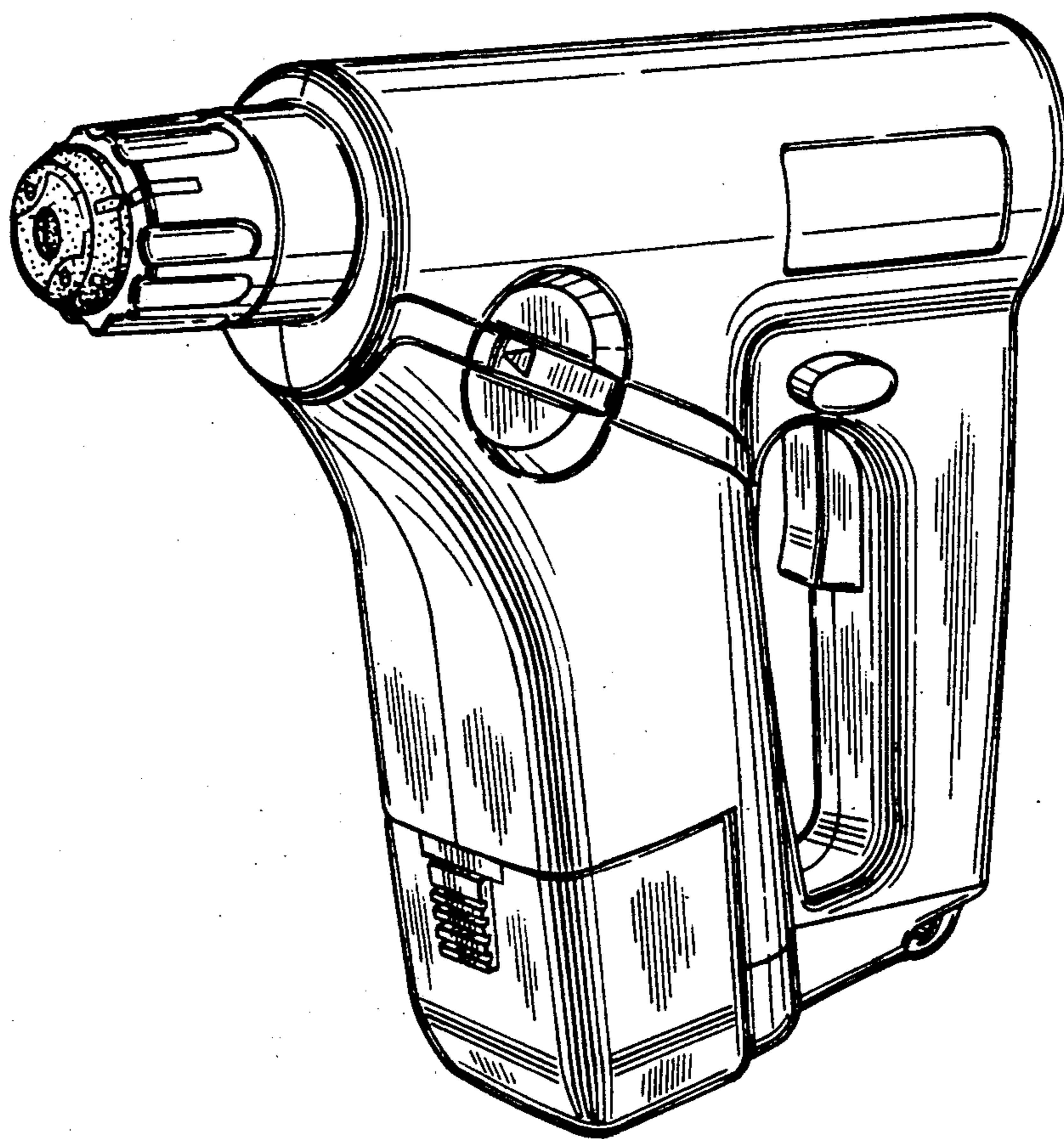


FIG. 2

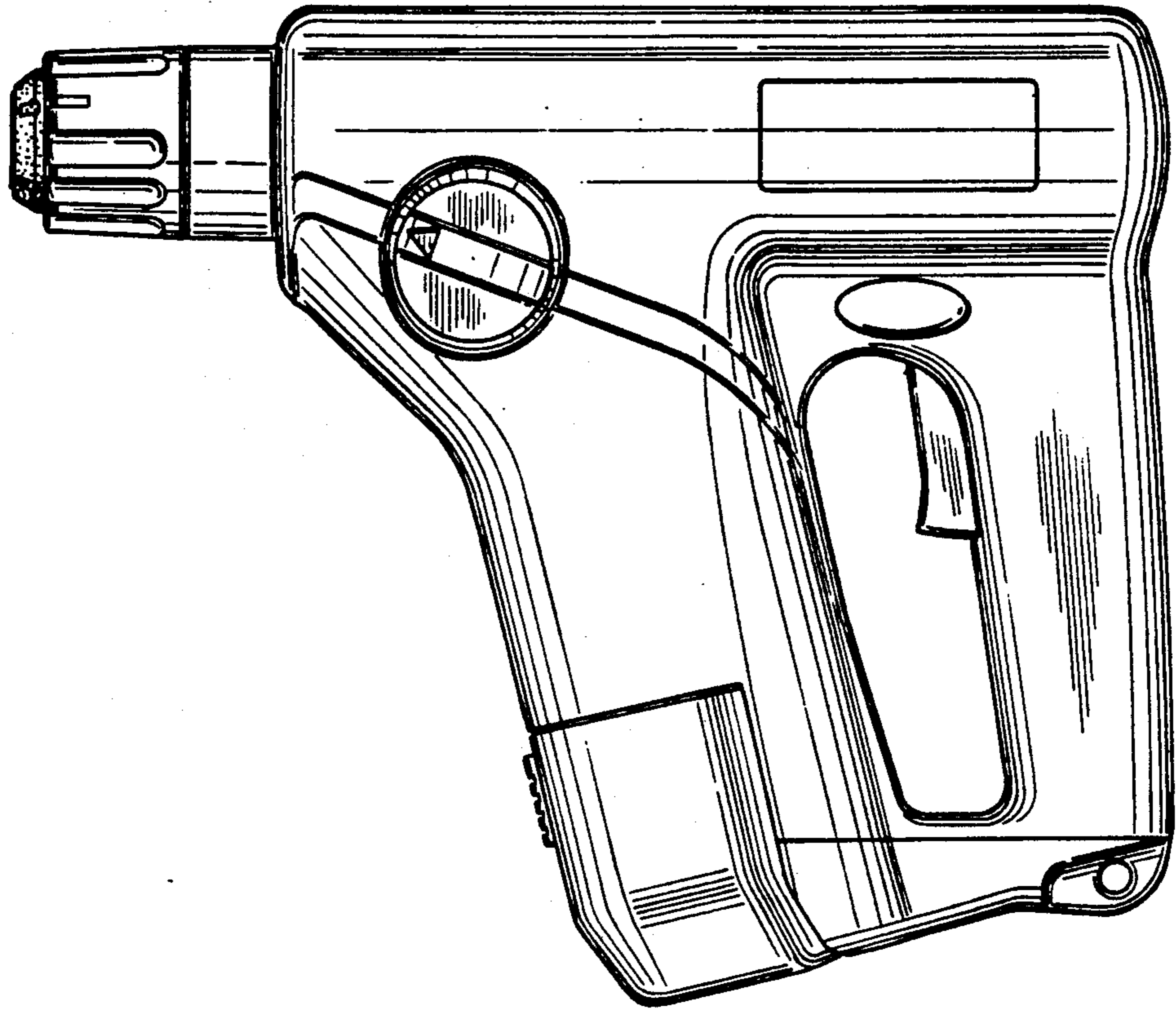


FIG. 3

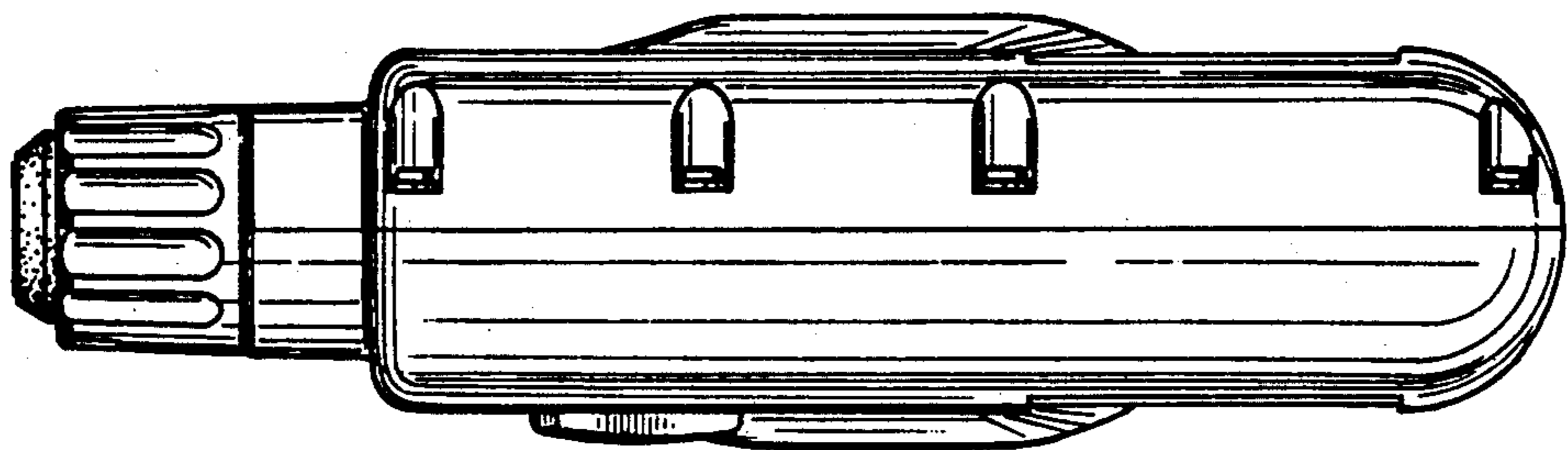


FIG. 4

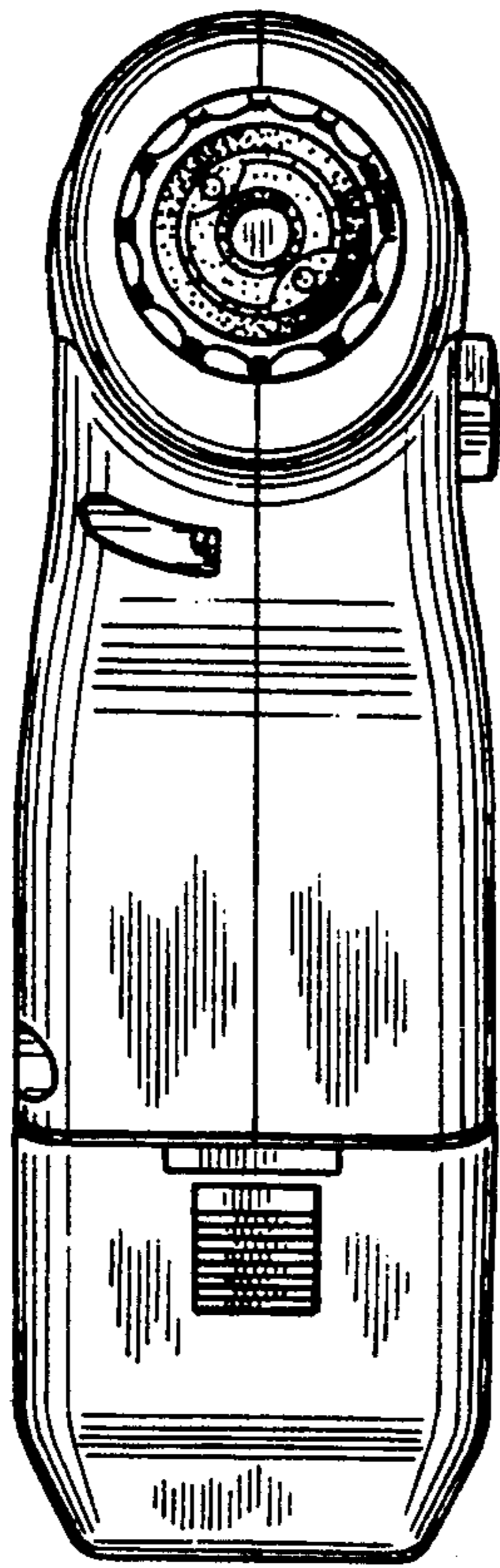


FIG. 5

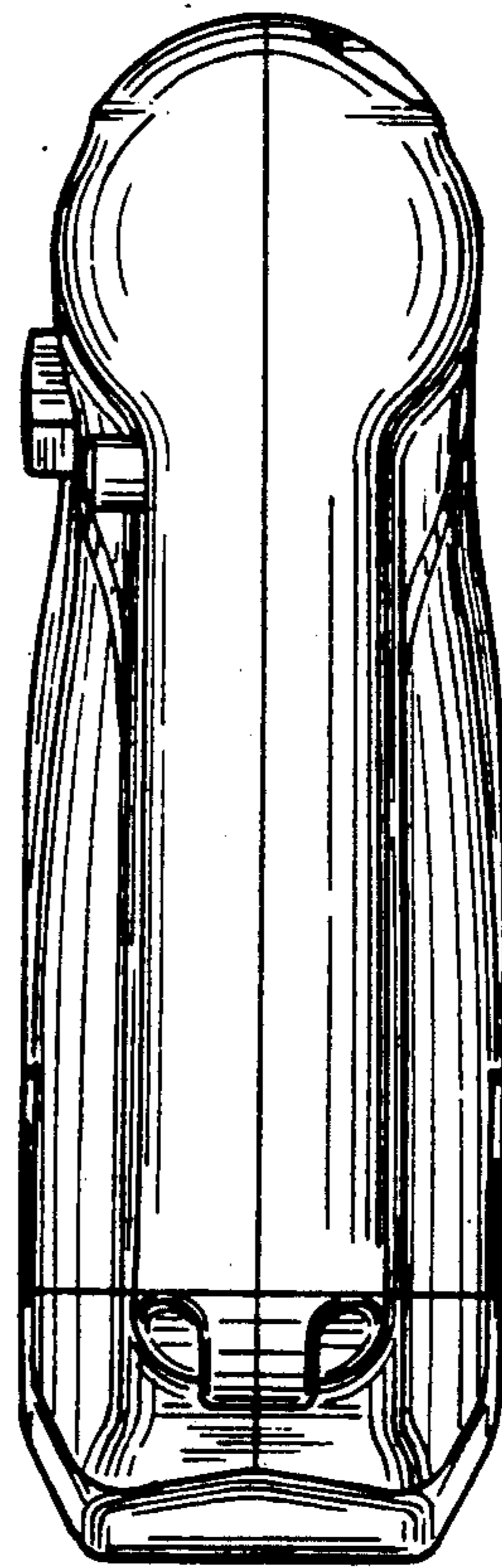


FIG. 6

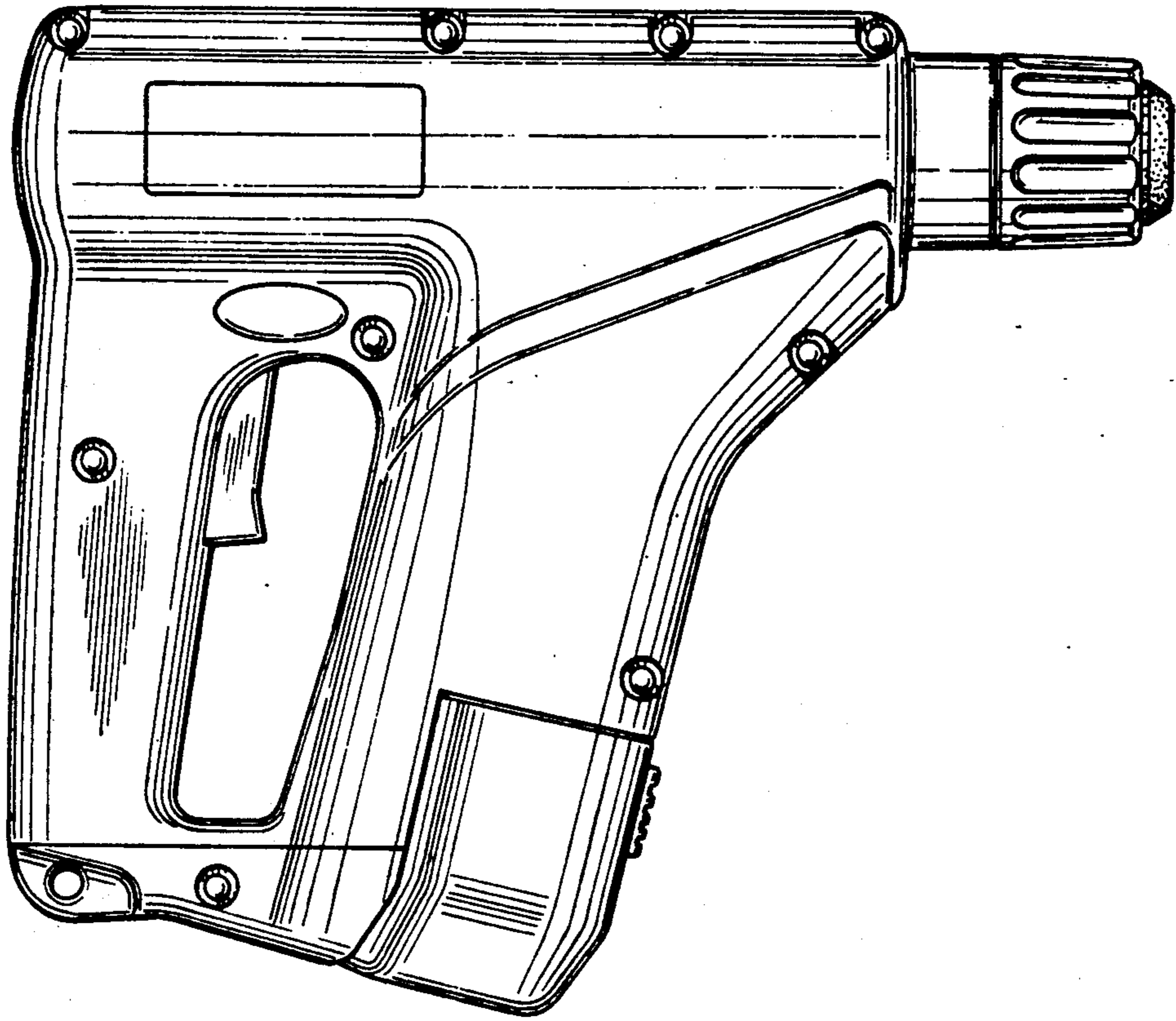


FIG. 7

