



US00D333766S

# United States Patent [19]

Albert et al.

[11] Patent Number: **Des. 333,766**

[45] Date of Patent: **\*\* Mar. 9, 1993**

[54] **ANGLED PNEUMATIC GRINDER**

[75] Inventors: **Gregory P. Albert, Waverly, N.Y.;  
Kenneth J. Dubugue, Sheshequinth,  
Pa.; Bruce D. Fay, Sayre, Pa.; duane  
S. Gable, Ulster, Pa.**

[73] Assignee: **Ingersoll-Rand Company, Woodcliff Lake, N.J.**

[\*\*] Term: **14 Years**

[21] Appl. No.: **595,493**

[22] Filed: **Oct. 11, 1990**

[52] U.S. Cl. .... **D8/62**

[58] Field of Search ..... **D8/62, 61, 25; 81/57,  
81/39, 63.2; 173/170, 109, 104, 218, 220;  
51/170 T**

[56] **References Cited**  
**U.S. PATENT DOCUMENTS**

D. 265,962 8/1982 Izumisawa ..... D8/25

D. 298,908 12/1988 Clemens ..... D8/61  
 D. 320,541 10/1991 Staubitz ..... D8/61  
 D. 321,462 11/1991 Staubitz ..... D8/61  
 D. 326,804 6/1992 Schultz ..... D8/61  
 4,016,684 4/1977 Urda ..... 51/170 T  
 5,088,242 2/1992 Lubbering et al. .... 51/170 T

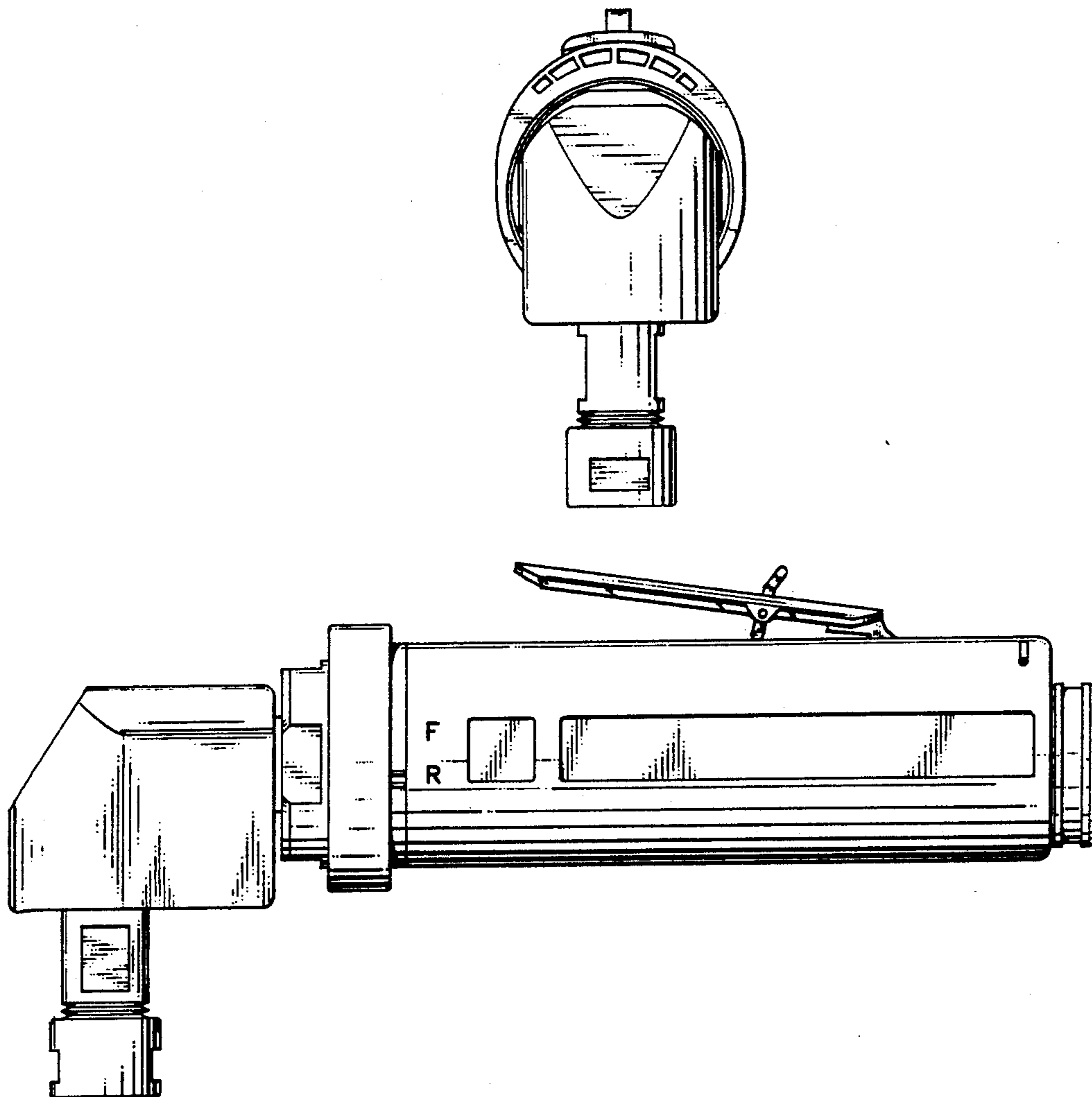
*Primary Examiner*—Alan P. Douglas  
*Assistant Examiner*—J. H. Musgrove  
*Attorney, Agent, or Firm*—Robert F. Palermo

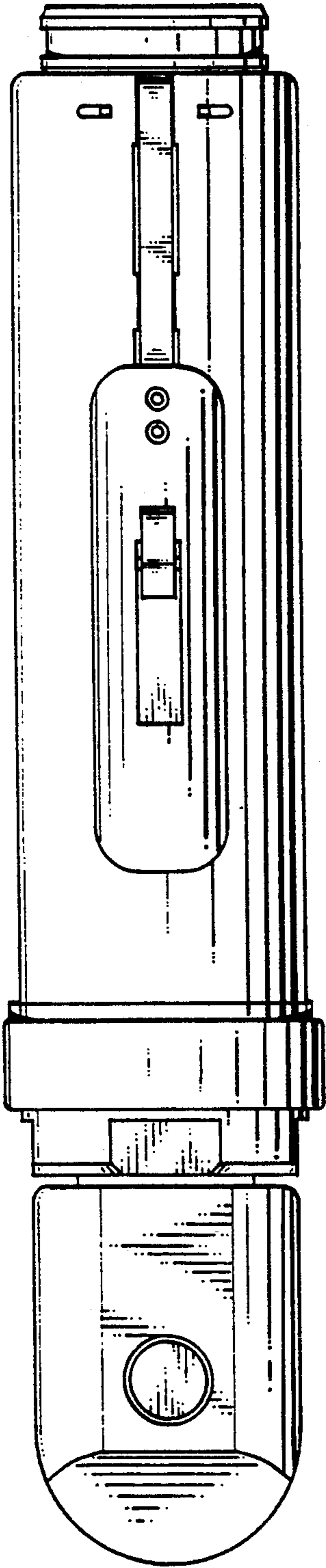
[57] **CLAIM**

The ornamental design for an angled pneumatic grinder, as shown and described.

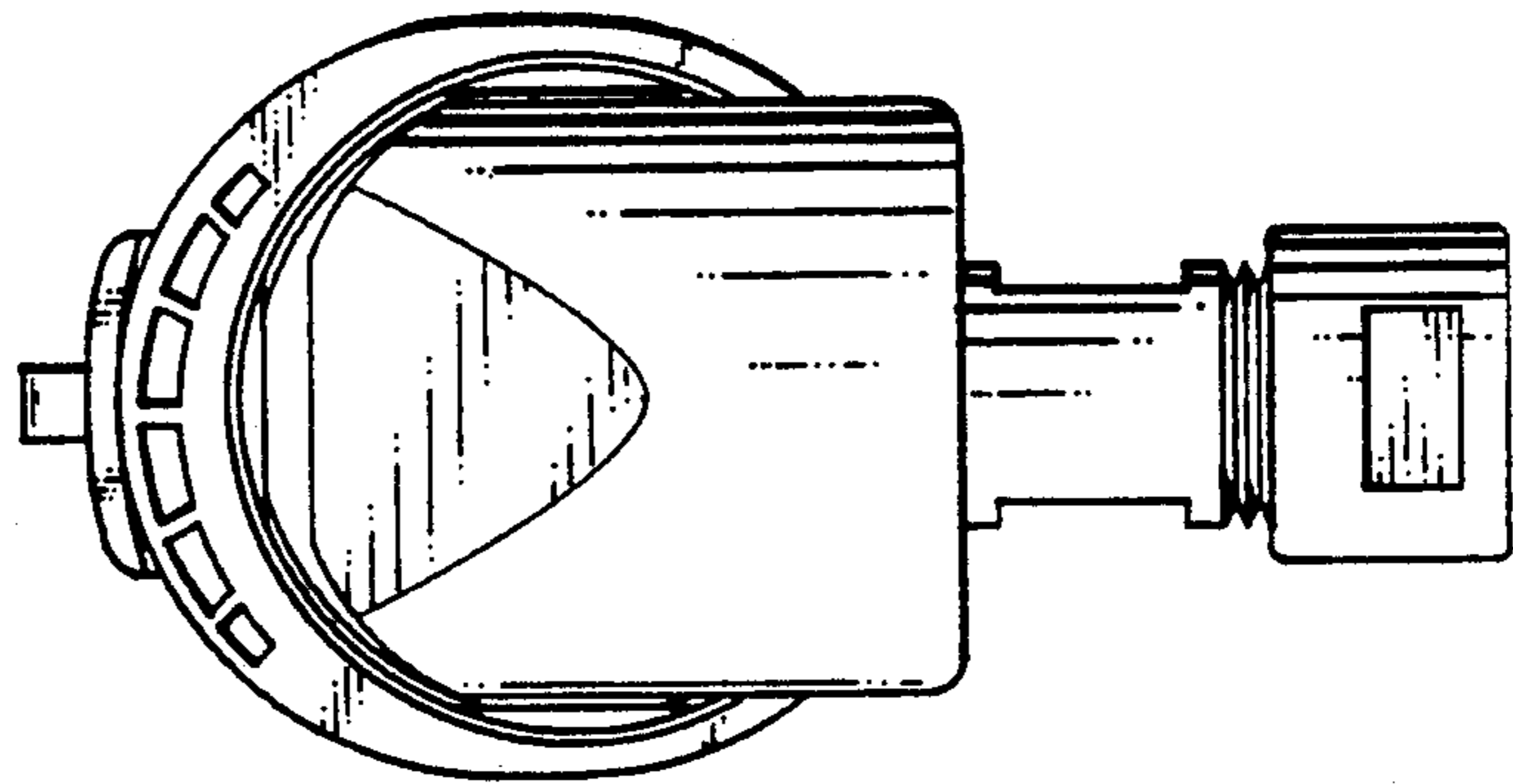
**DESCRIPTION**

FIG. 1 is a front elevational view of an angled pneumatic grinder showing our new design;  
 FIG. 2 is a right side elevational view thereof;  
 FIG. 3 is a top plan view thereof;  
 FIG. 4 is a bottom view thereof;  
 FIG. 5 is a left side elevational view thereof; and,  
 FIG. 6 is a rear elevational view.

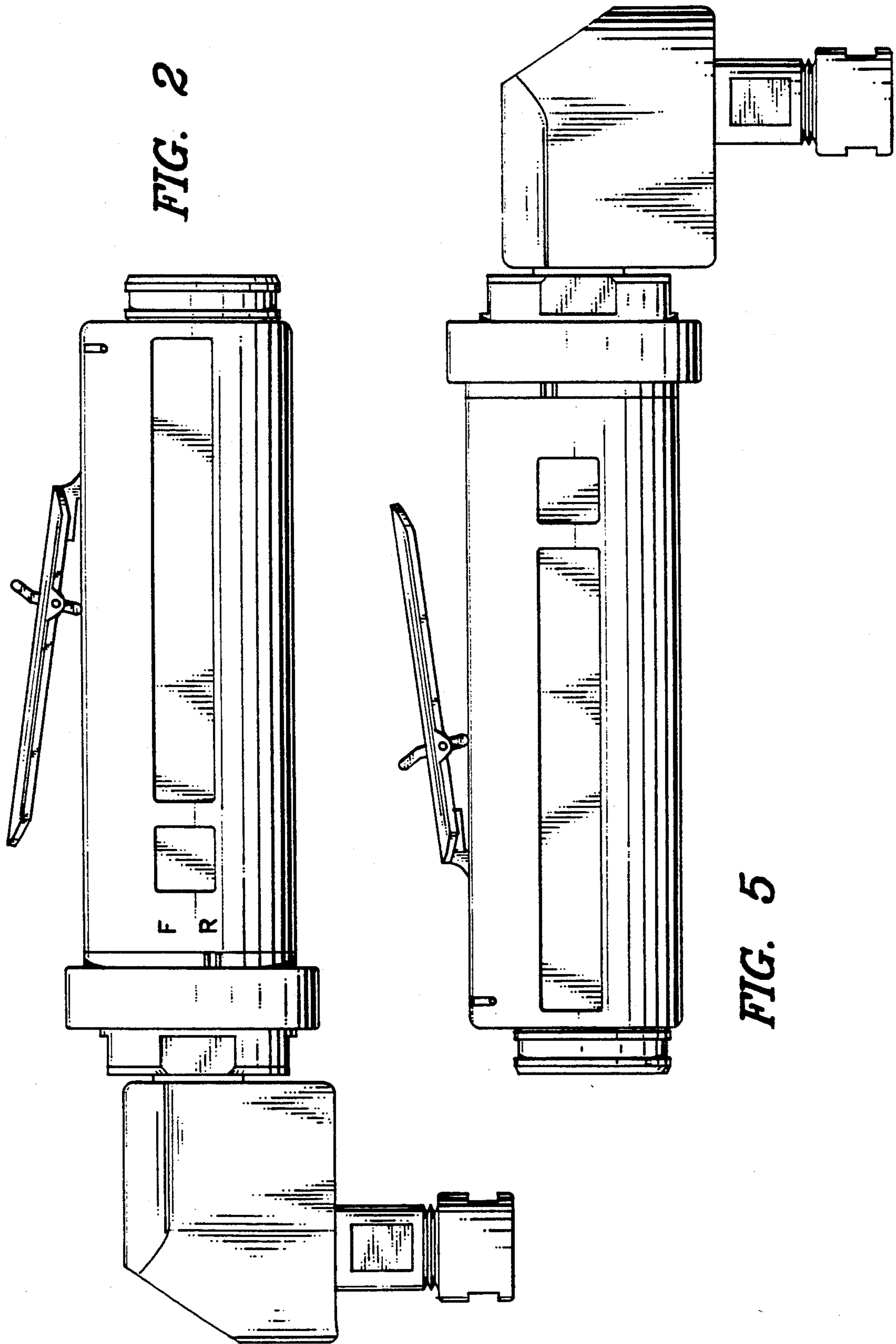




**FIG. 3**

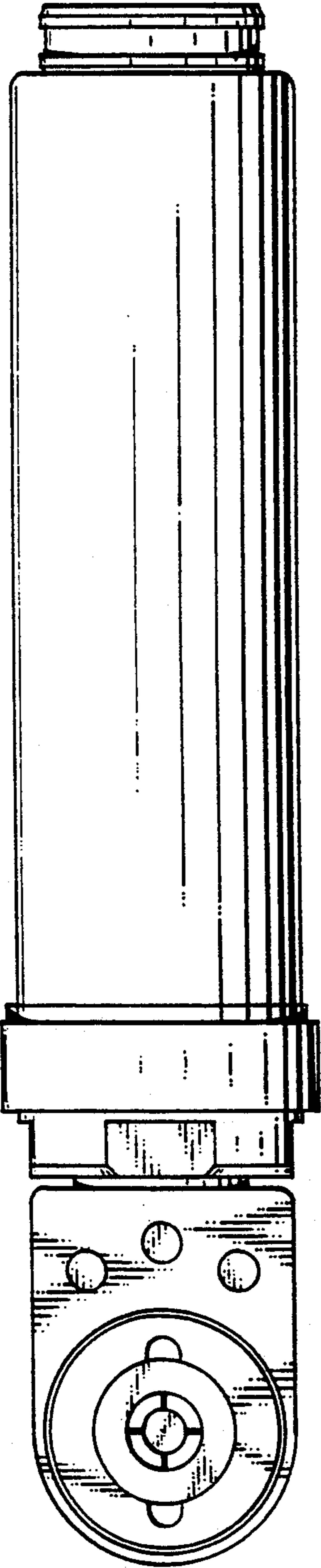


**FIG. 1**

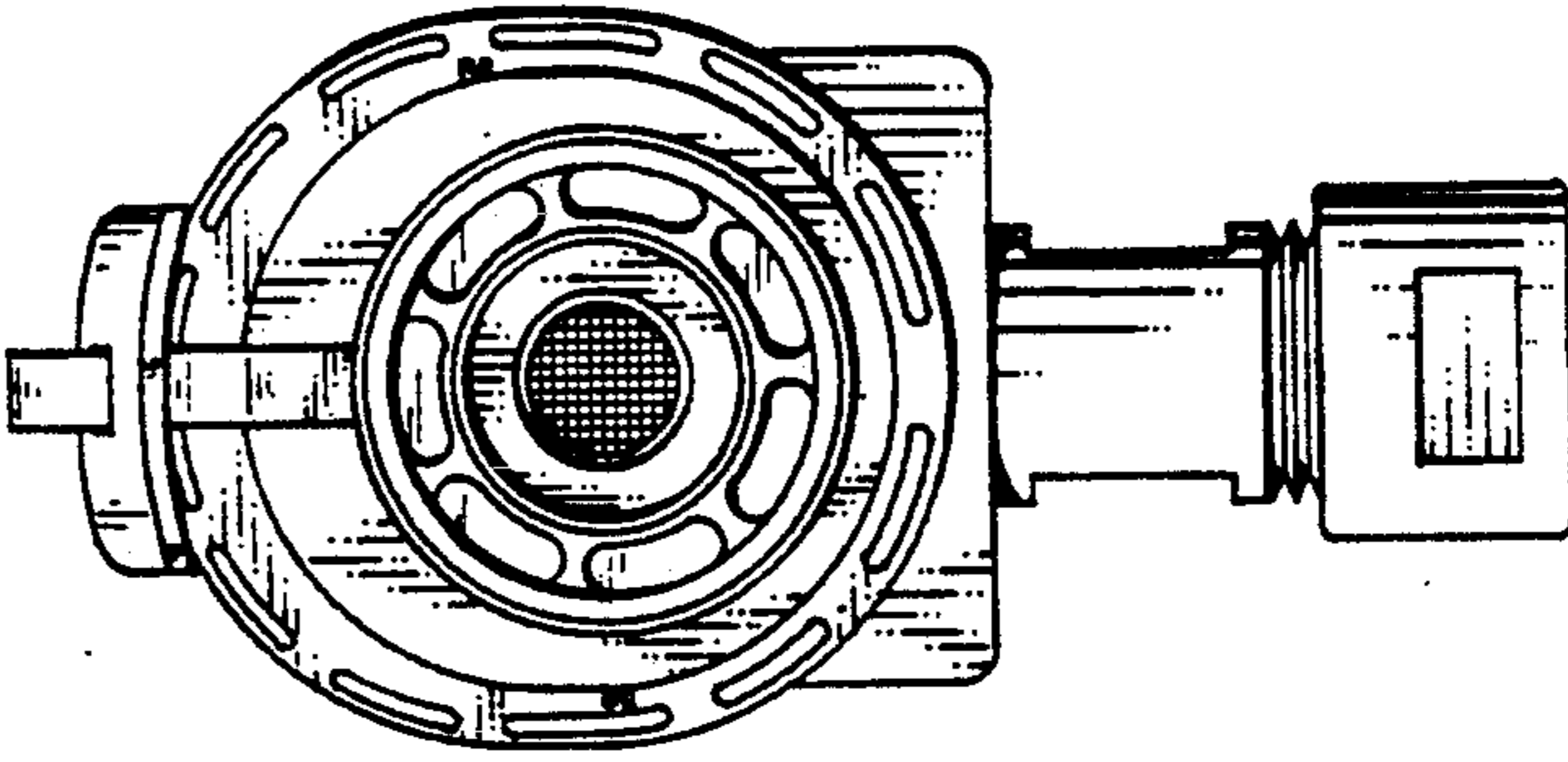


*FIG. 2*

*FIG. 5*



*FIG. 4*



*FIG. 6*

UNITED STATES PATENT AND TRADEMARK OFFICE  
CERTIFICATE OF CORRECTION

PATENT NO. : DES. 333,766  
DATED : March 9, 1993  
INVENTOR(S) : Albert, et.al.

It is certified that error appears in the above—identified patent and that said Letters Patent is hereby corrected as shown below:

On the Title Page, Item [75], should read:

Gregory P. Albert, Waverly, N.Y.

Kenneth J. Dubuque, Sheshequin, PA

Bruce D. Fay, Sayre, PA

Duane S. Gable, Ulster, PA

Signed and Sealed this  
Twelfth Day of July, 1994

Attest:



BRUCE LEHMAN

Attesting Officer

Commissioner of Patents and Trademarks