



US00D333765S

United States Patent [19]

[11] Patent Number: **Des. 333,765**

Tamanaha

[45] Date of Patent: **** Mar. 9, 1993**

[54] **PORTABLE RECIPROCATING FILE**

[75] Inventor: **Osamu Tamanaha**, Tokyo, Japan

[73] Assignee: **Nitto Kohki Co., Ltd.**, Tokyo, Japan

[**] Term: **14 Years**

[21] Appl. No.: **634,073**

[22] Filed: **Dec. 26, 1990**

[52] U.S. Cl. **D8/61**

[58] Field of Search **D8/61, 62; 173/170; 51/170 R, 170 T, 170 TL, 170 PL, 170 MT, 170 EB; 81/54, 57.11, 57.13**

D. 321,465 11/1991 Mikiya D8/62
D. 323,275 1/1992 Sasaki et al. D8/61
D. 324,699 3/1992 Ohashi D8/61

Primary Examiner—Alan P. Douglas
Assistant Examiner—J. H. Musgrove
Attorney, Agent, or Firm—Wenderoth, Lind & Ponack

[57] **CLAIM**

The ornamental design for portable reciprocating file, as shown.

DESCRIPTION

FIG. 1 is a top front and right side perspective view of a portable reciprocating file showing my new design; FIG. 2 is a right side elevational view; the left side being a mirror image;

FIG. 3 is a top plan view;

FIG. 4 is a bottom plan view;

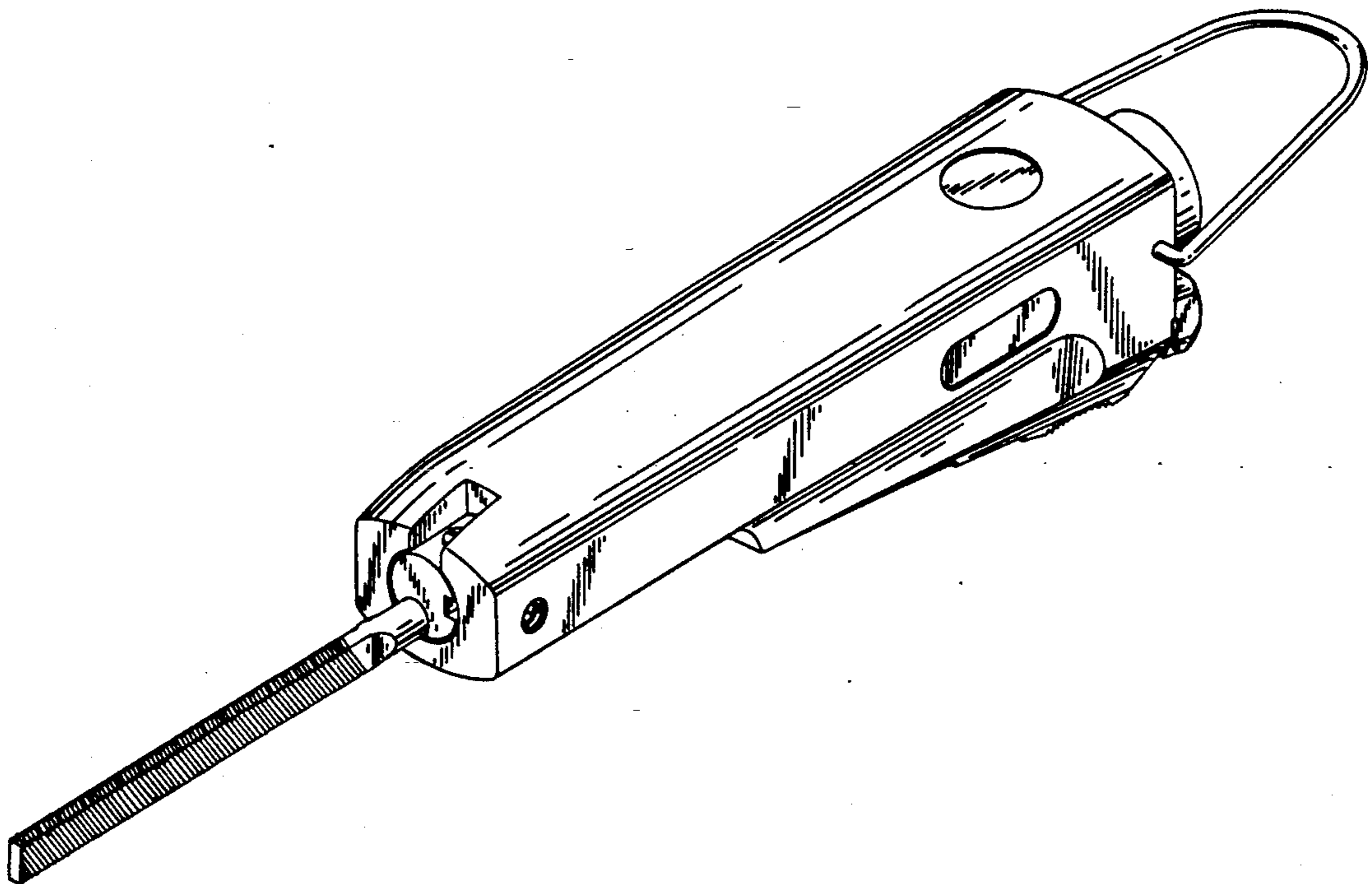
FIG. 5 is a front elevational view; and,

FIG. 6 is a rear elevational view thereof.

[56] **References Cited**

U.S. PATENT DOCUMENTS

D. 269,847 7/1983 Izumisawa D8/62
D. 310,160 8/1990 Patel D8/61
D. 310,470 9/1990 Tohdoh D8/62
D. 320,727 10/1991 Fushiya et al. D8/62



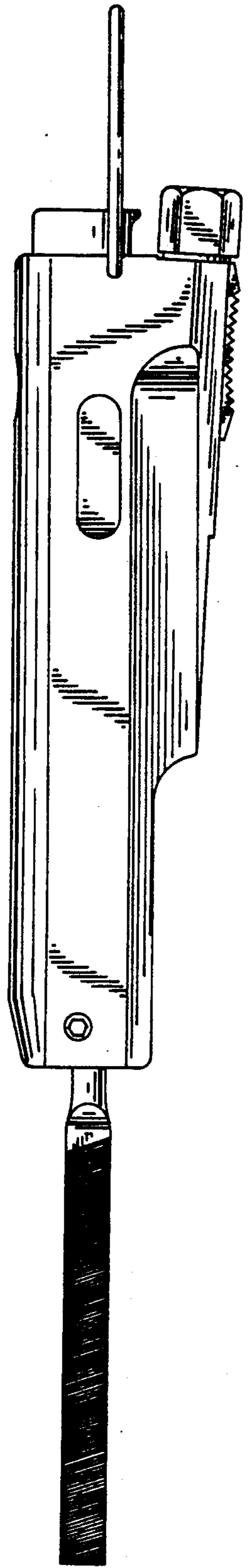
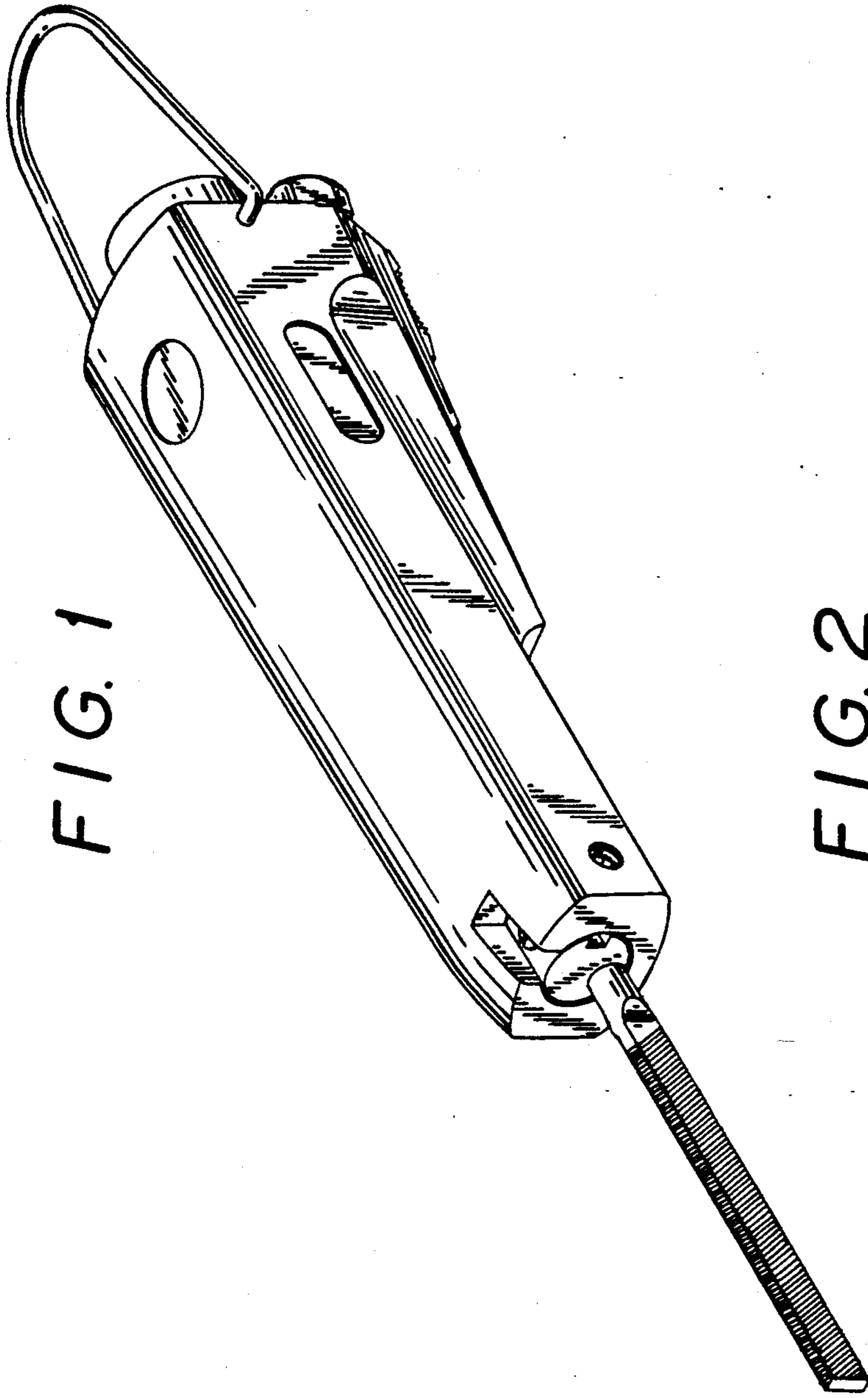


FIG. 3

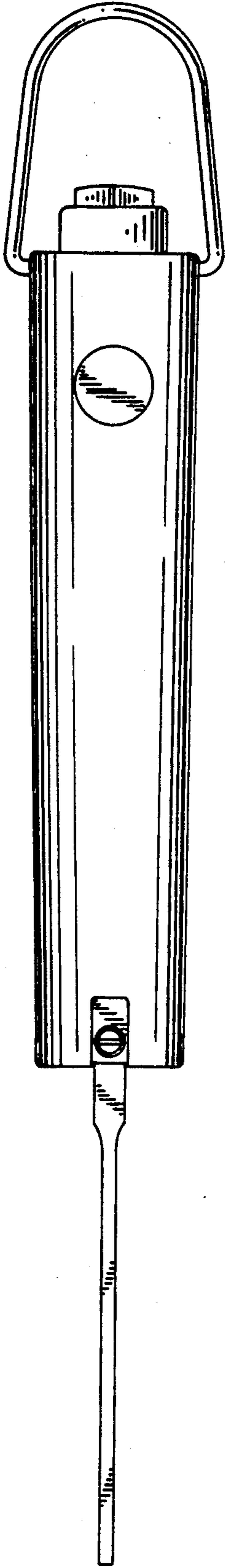


FIG. 4

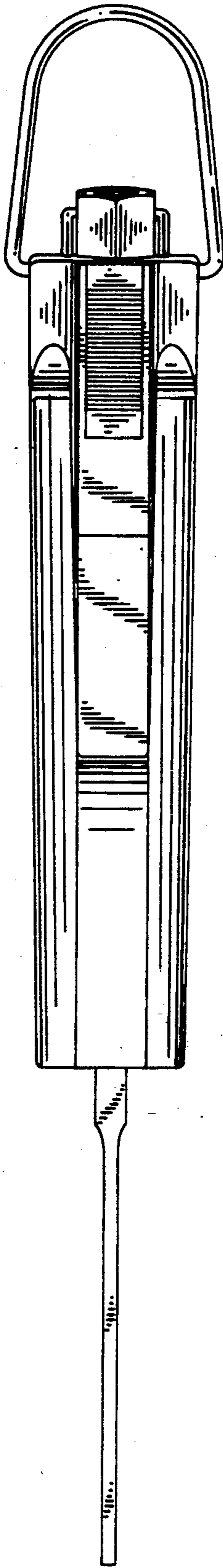


FIG. 5

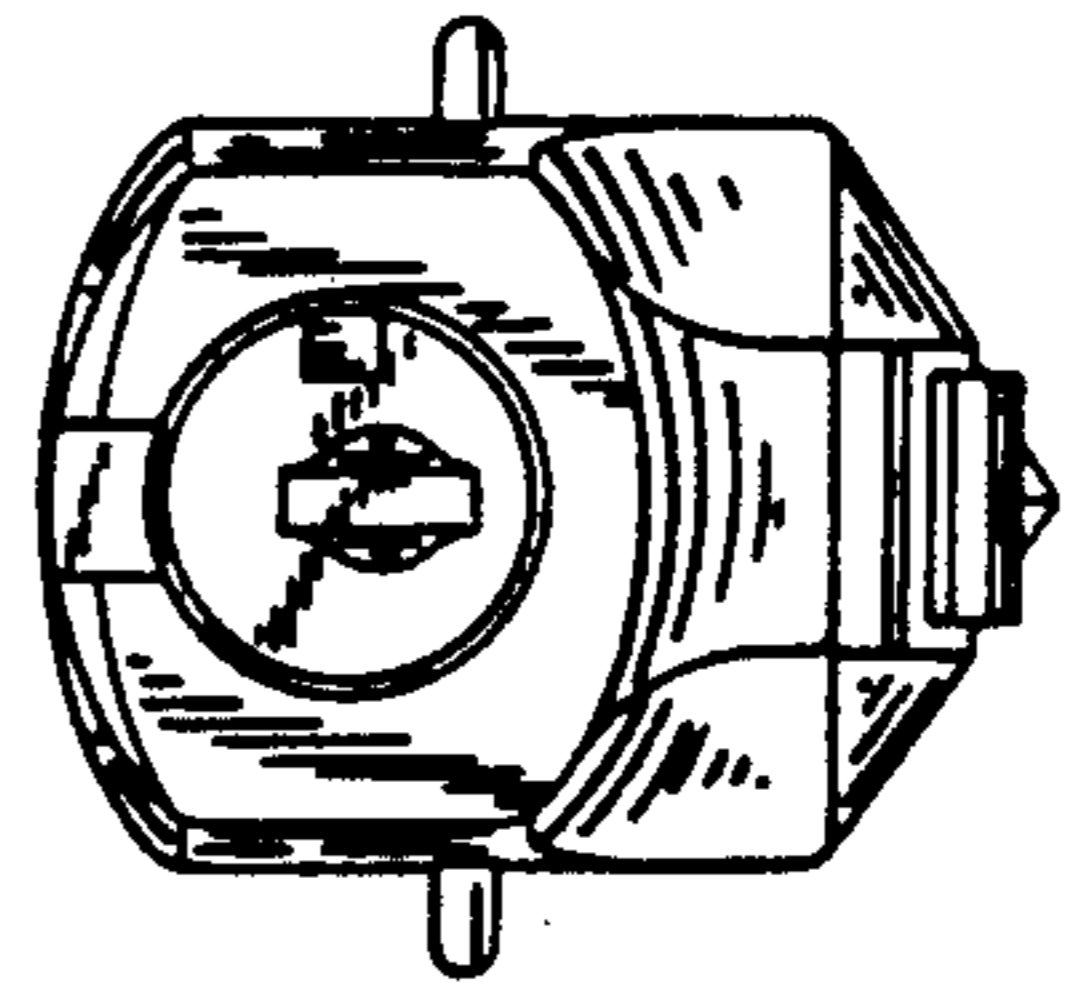


FIG. 6

