



US00D333757S

United States Patent [19]
DeCoster

[11] **Patent Number: Des. 333,757**
[45] **Date of Patent: ** Mar. 9, 1993**

- [54] **TRAY**
- [75] **Inventor: Pieter K. J. DeCoster, Aalst, Belgium**
- [73] **Assignee: Dart Industries Inc., Deerfield, Ill.**
- [**] **Term: 14 Years**
- [21] **Appl. No.: 520,706**
- [22] **Filed: May 8, 1990**
- [52] **U.S. Cl. D7/550; D7/547;
D7/667; D7/669**
- [58] **Field of Search D7/372, 381, 383, 694,
D7/385, 669, 672, 682, 547, 388, 550, 546, 348,
667, 213, 548, 637, 622, 683; 206/557; 215/100
R; 294/32; 220/578, 756, 760**

- 2,813,742 11/1957 Neugebauer D7/622 X
- 2,904,205 9/1959 Callery .
- 3,040,897 6/1962 Holman .
- 3,249,250 5/1966 McKee 215/100 R
- 3,380,592 4/1968 Arnold D7/667
- 4,179,040 12/1979 Bateman et al. .

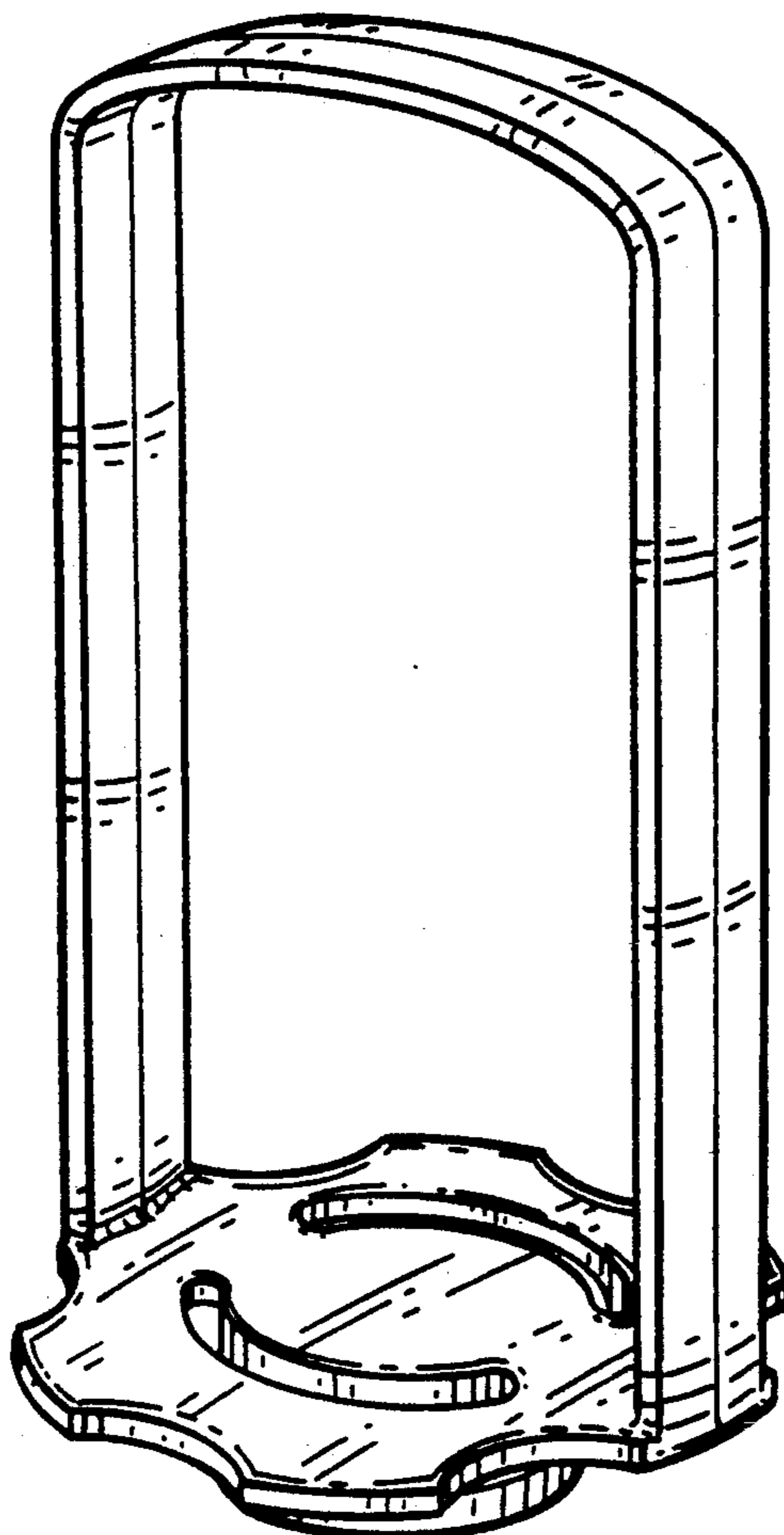
Primary Examiner—Alan P. Douglas
Assistant Examiner—M. N. Pandozzi
Attorney, Agent, or Firm—John A. Doninger

[57] **CLAIM**
The ornamental design for a tray, as shown.

DESCRIPTION

FIG. 1 is a top perspective view of the tray showing my new design;
FIG. 2 is a top plan view thereof;
FIG. 3 is a bottom plan view thereof;
FIG. 4 is a front elevational view thereof;
FIG. 5 is a rear elevational view thereof;
FIG. 6 is a right side elevational view thereof;
FIG. 7 is a left side elevational view thereof;
FIG. 8 is a cross-sectional view taken along line 8—8 of FIG. 5; and,
FIG. 9 is a cross-sectional view taken along line 9—9 of FIG. 5.

- [56] **References Cited**
- U.S. PATENT DOCUMENTS**
- D. 138,398 8/1944 Reynolds D7/667
- D. 157,480 2/1950 Foss D7/388
- D. 160,050 9/1950 Alexander D7/667
- D. 257,201 10/1980 Croyle et al. D7/547
- D. 271,176 11/1983 Goldstein D7/547
- 2,334,595 11/1943 Bailey .
- 2,659,403 11/1950 Jones D7/682 X



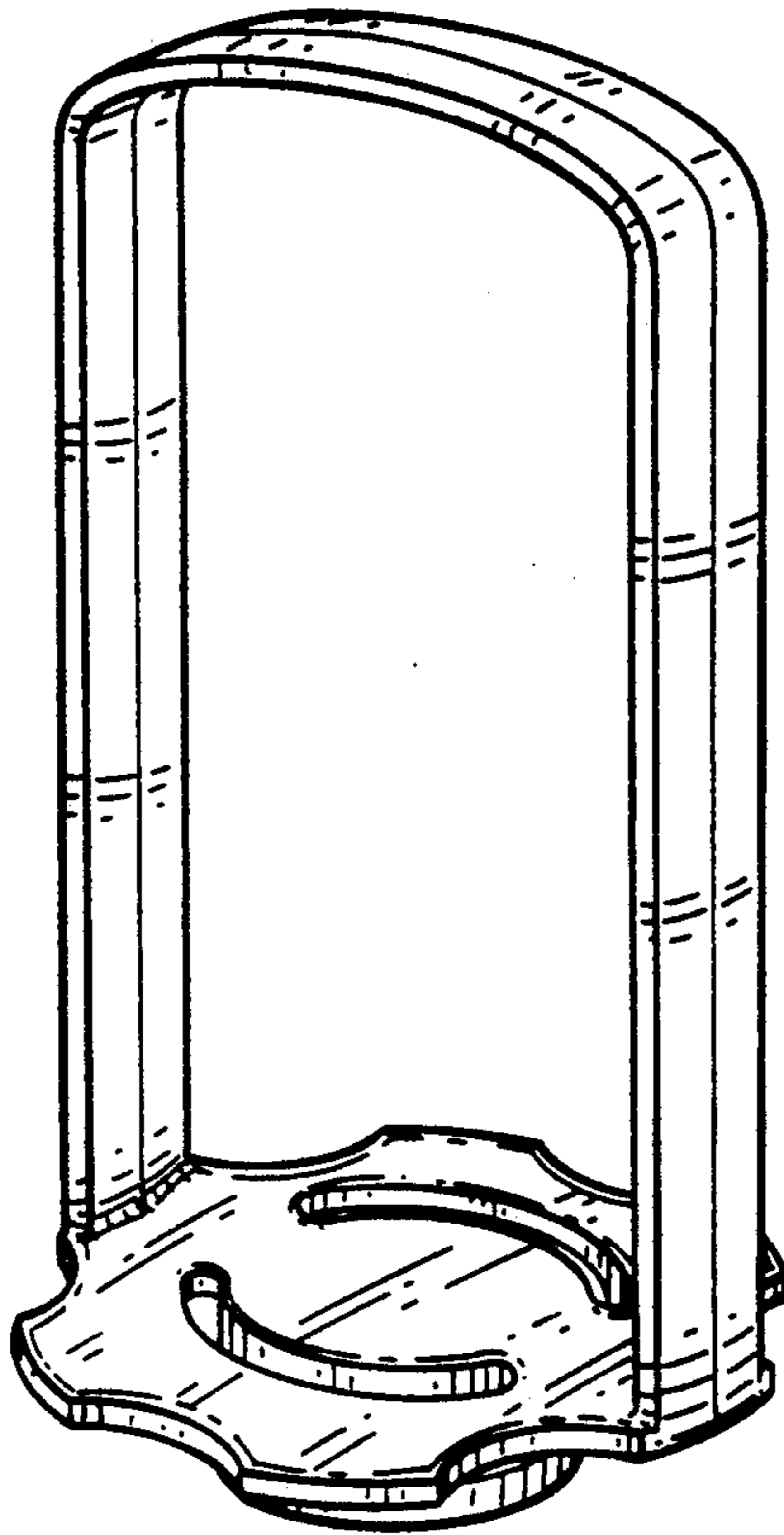


FIG. 1

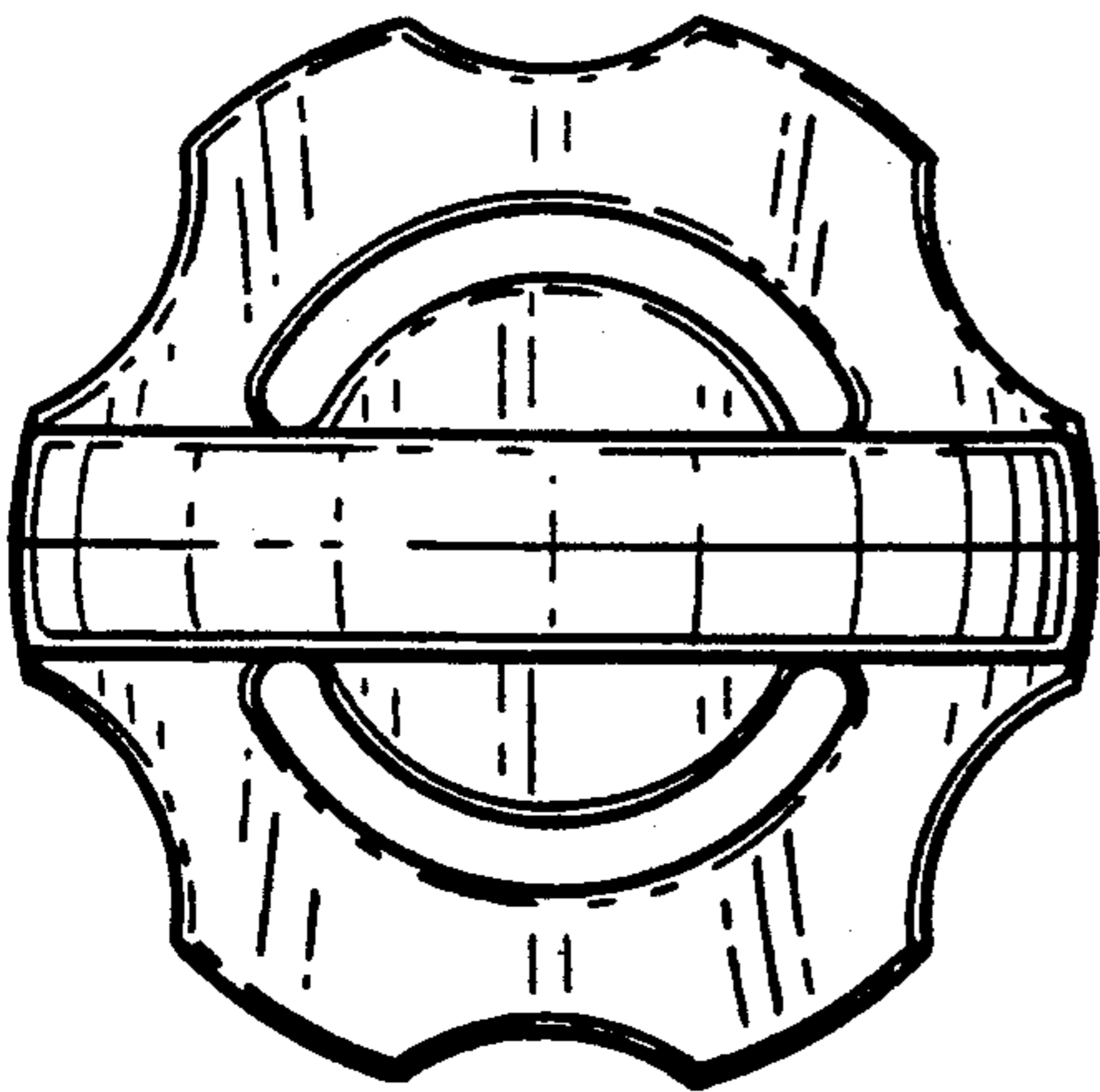


FIG. 2

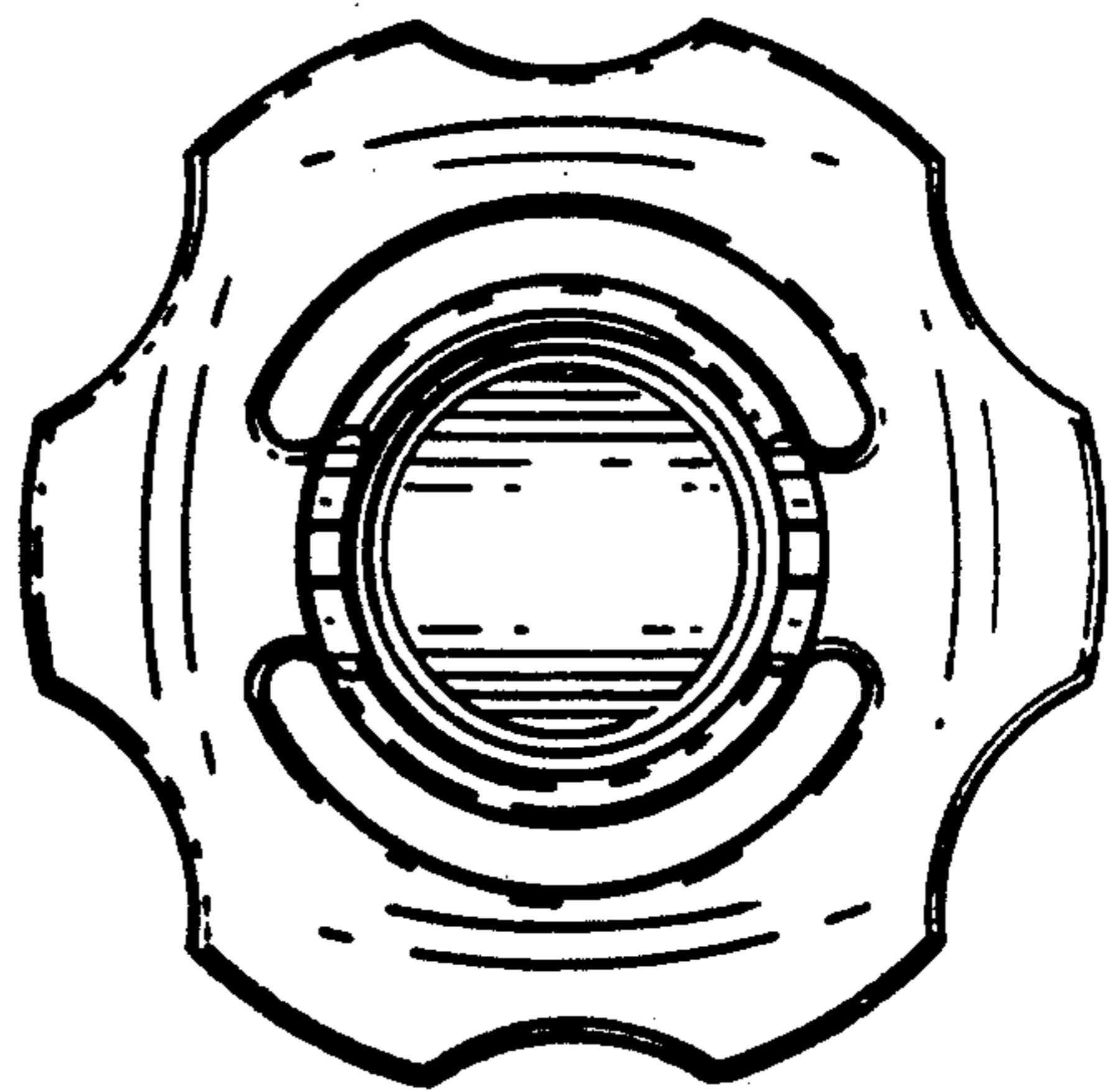


FIG. 3

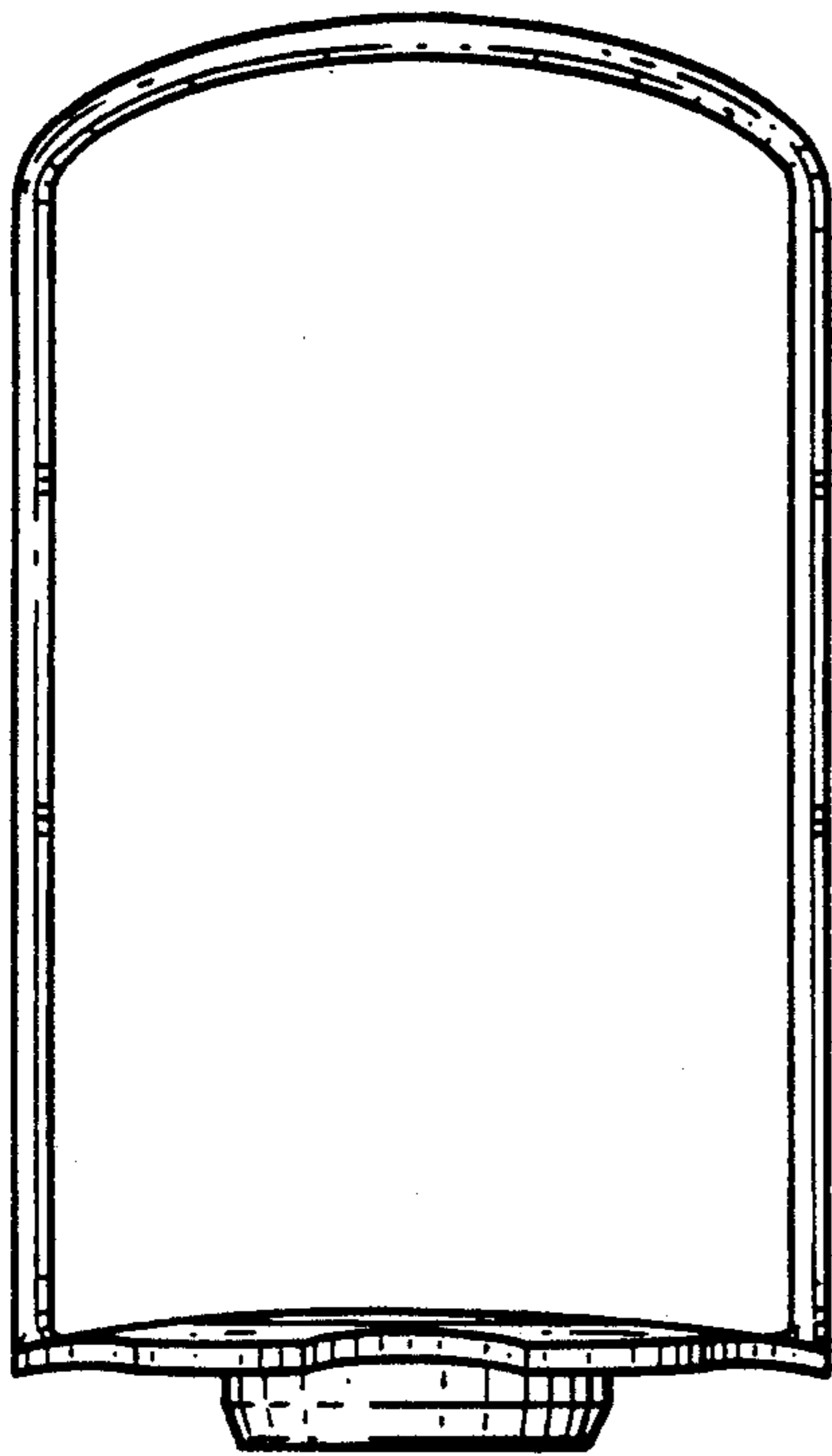


FIG. 4

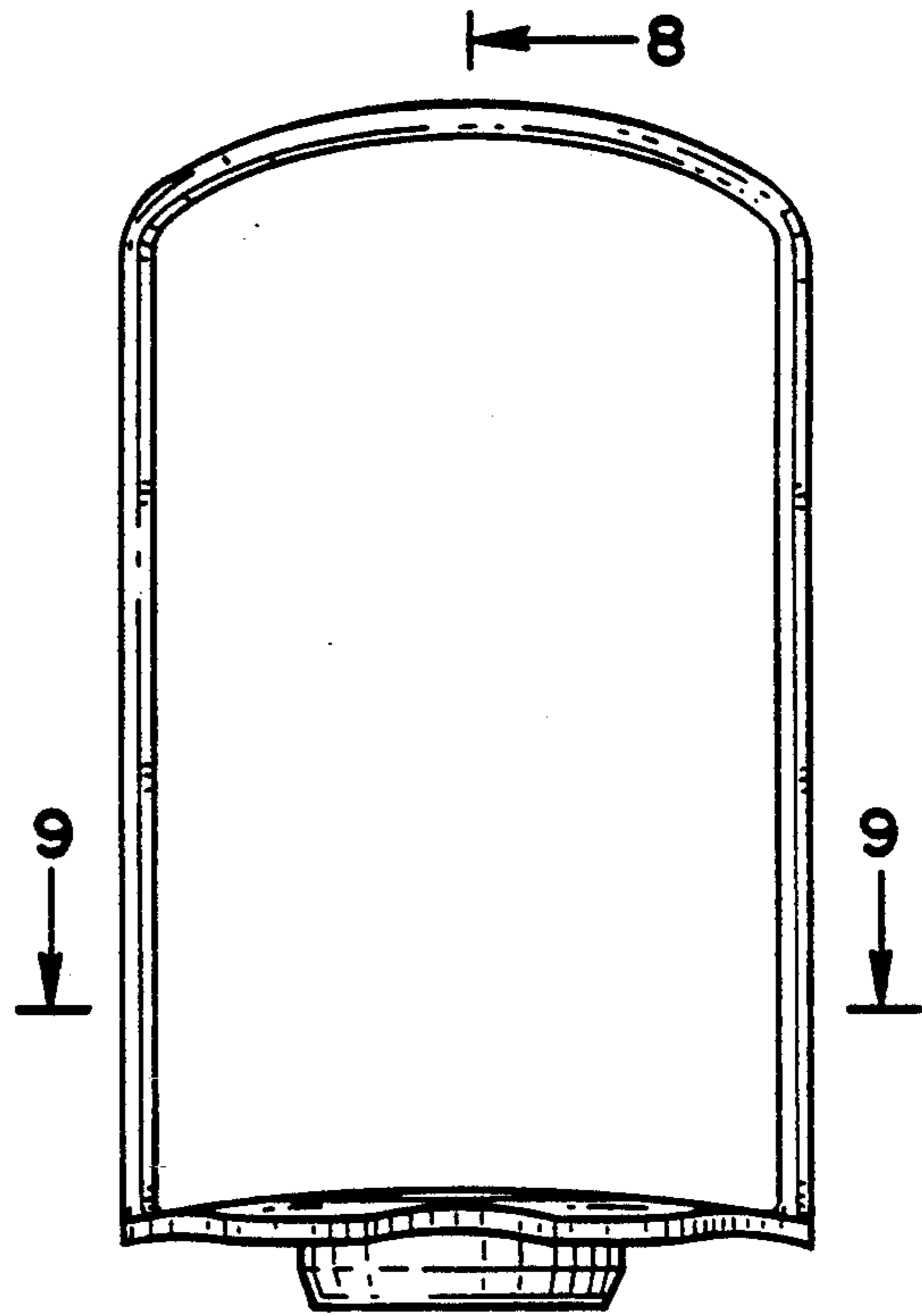


FIG. 5

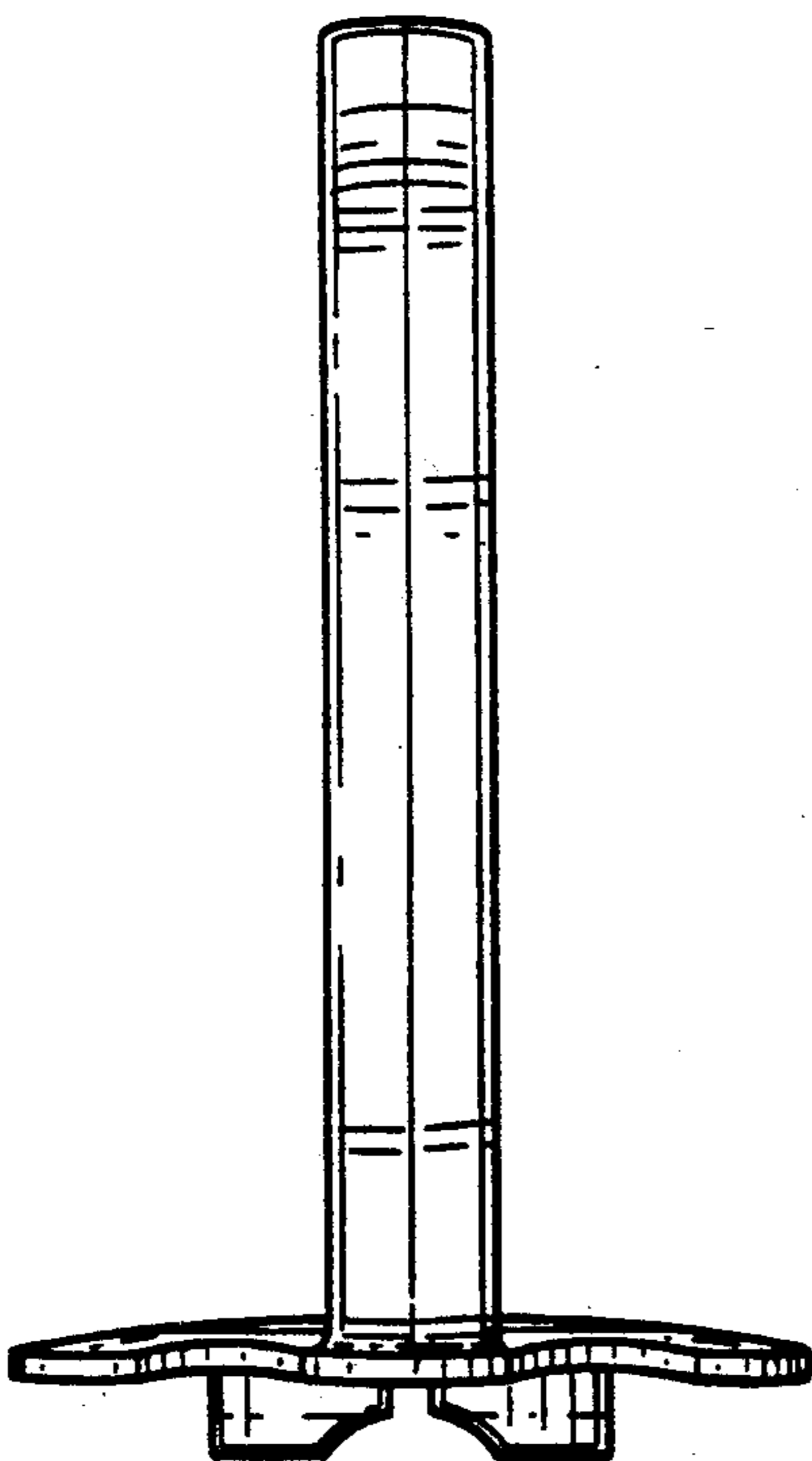


FIG. 6

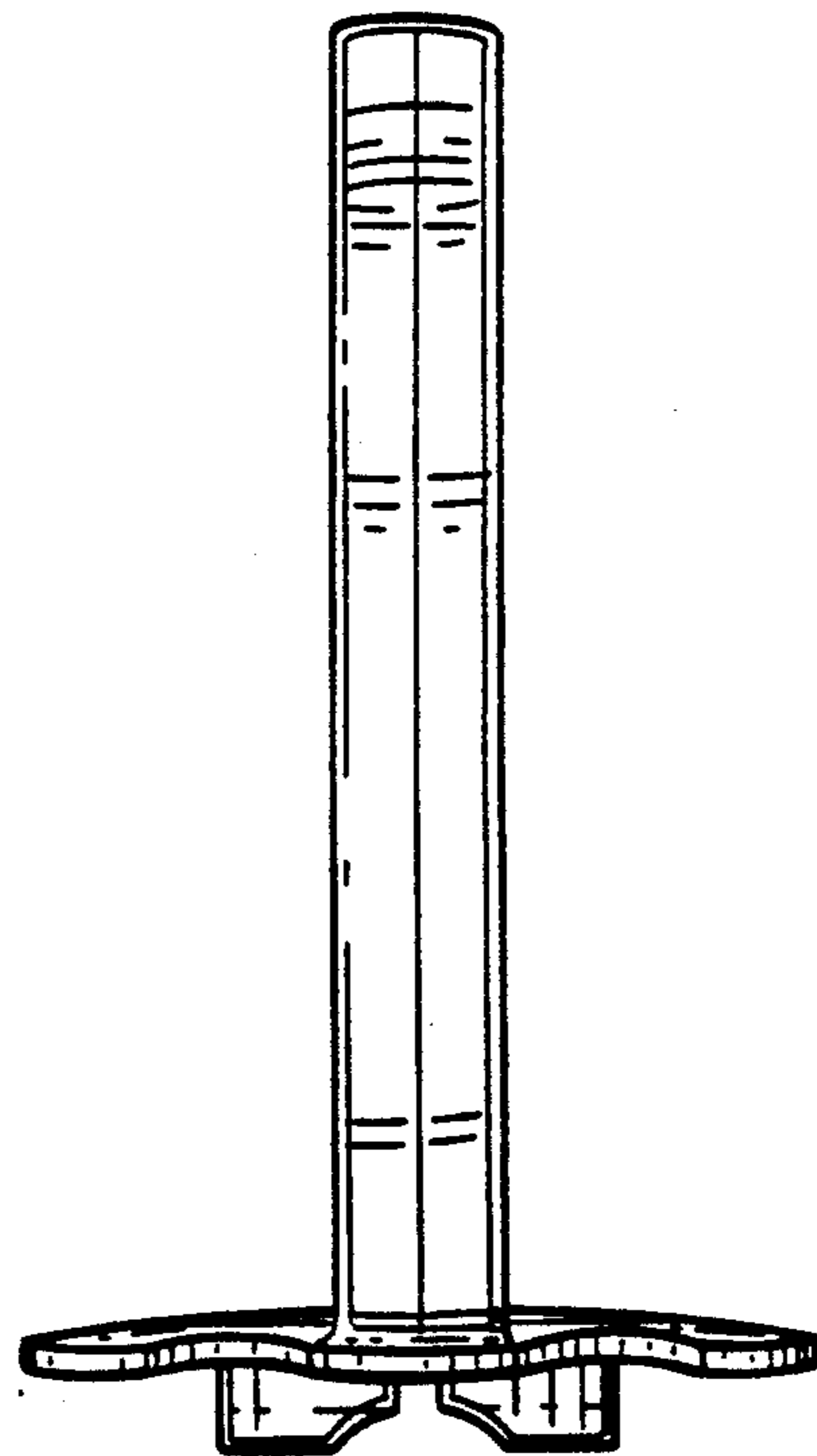


FIG. 7

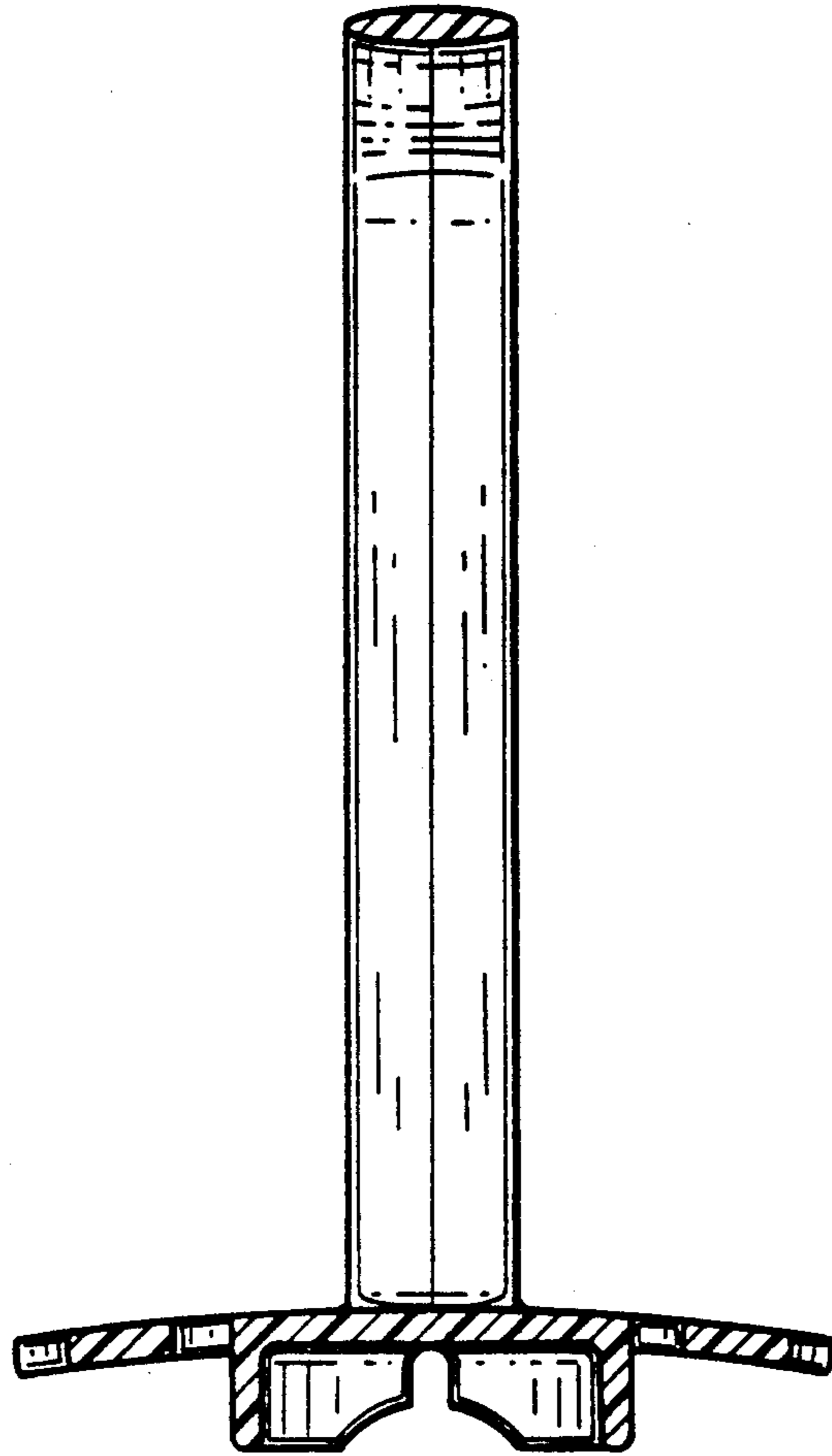


FIG. 8

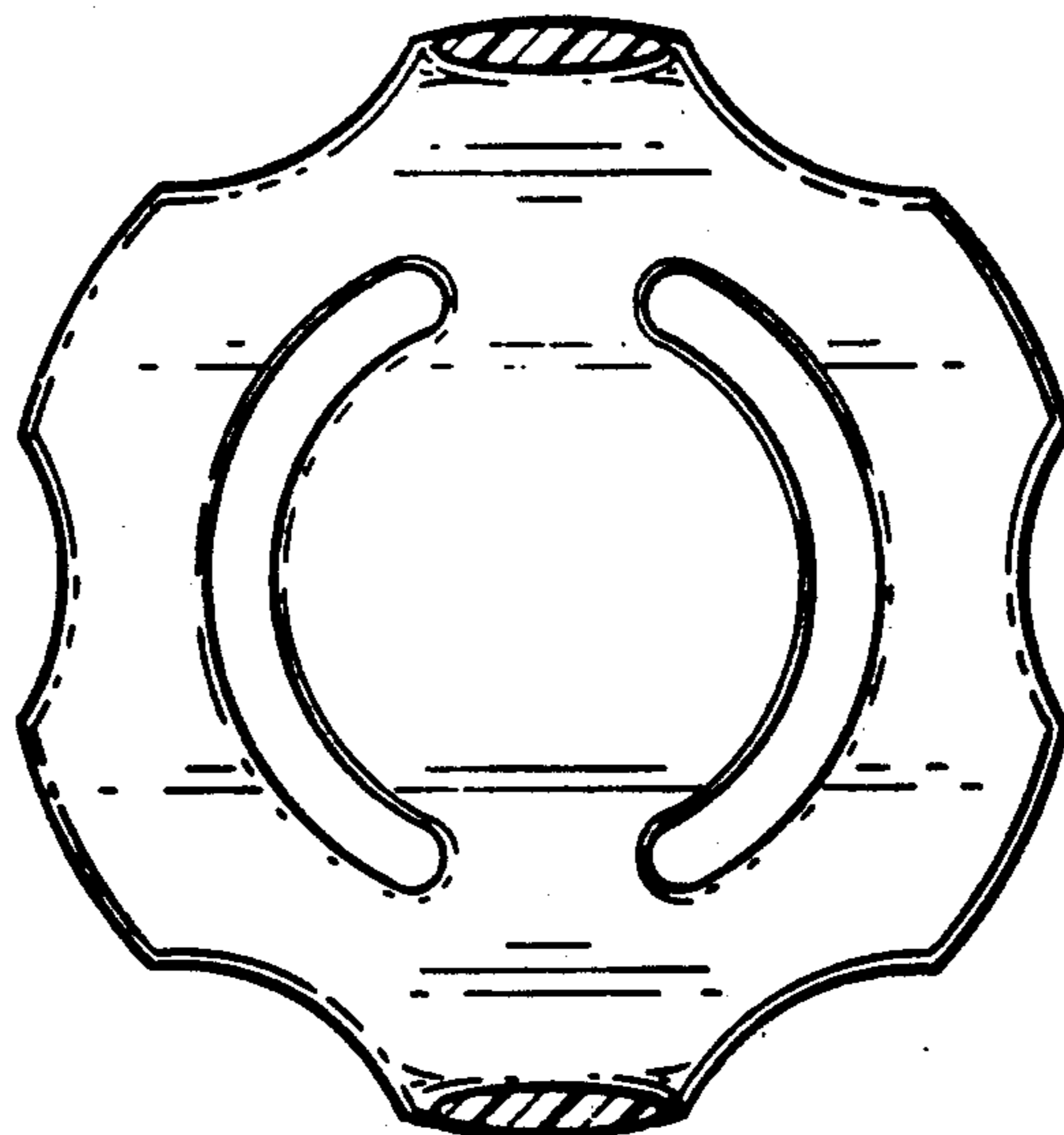


FIG. 9