



US00D333756S

United States Patent [19]

[11] Patent Number: **Des. 333,756**

Campbell

[45] Date of Patent: **** Mar. 9, 1993**

[54] **COMBINED CUP WITH HEATING ELEMENT**

[76] Inventor: **Teri R. Campbell, 2625 E. Fork Rd., Aberdeen, Ohio 45101-9792**

[**] Term: **14 Years**

[21] Appl. No.: **624,254**

[22] Filed: **Dec. 7, 1990**

[52] U.S. Cl. **D7/507; D7/536; D3/40**

[58] Field of Search **D7/507, 509, 510, 511, D7/533, 536, 317, 336; D3/40; 220/755, 767, 772, 914; 215/99.5; D9/455, 517**

[56] **References Cited**

U.S. PATENT DOCUMENTS

| | | | | |
|------------|---------|----------------------|-------|----------|
| D. 216,829 | 3/1970 | Colato | | D7/536 |
| D. 255,858 | 7/1980 | Ashton | | D7/536 |
| D. 277,921 | 3/1985 | Otto | | D7/536 |
| D. 279,837 | 7/1985 | Tanaka | | D3/40 |
| D. 289,955 | 5/1987 | Buist | | D7/507 |
| D. 291,168 | 8/1987 | Cranford | | D9/455 X |
| D. 293,535 | 1/1988 | Wiinblad | | D7/536 |
| D. 303,454 | 9/1989 | Morales et al. | | D3/40 |
| D. 307,669 | 5/1990 | Inouye | | D3/40 X |
| D. 321,455 | 11/1991 | Duquaine, Jr. et al. | | D7/536 X |
| D. 325,844 | 5/1992 | Betts | | D7/317 |

| | | | | |
|-----------|--------|-----------|-------|----------|
| 4,040,549 | 8/1977 | Sadler | | D7/507 X |
| 4,439,668 | 3/1984 | Wells | | 219/441 |
| 4,510,375 | 4/1985 | Inskip | | 219/441 |
| 4,517,445 | 5/1985 | Tatsumi | | 219/441 |
| 4,543,473 | 9/1985 | Wells | | 219/441 |
| 4,928,412 | 5/1990 | Nishiyama | | D7/536 X |
| 5,029,720 | 7/1991 | Bridges | | D7/507 X |

FOREIGN PATENT DOCUMENTS

| | | | |
|----------|--------|-------|---|
| 346981 | 3/1937 | Italy | . |
| 54-11527 | 6/1977 | Japan | . |

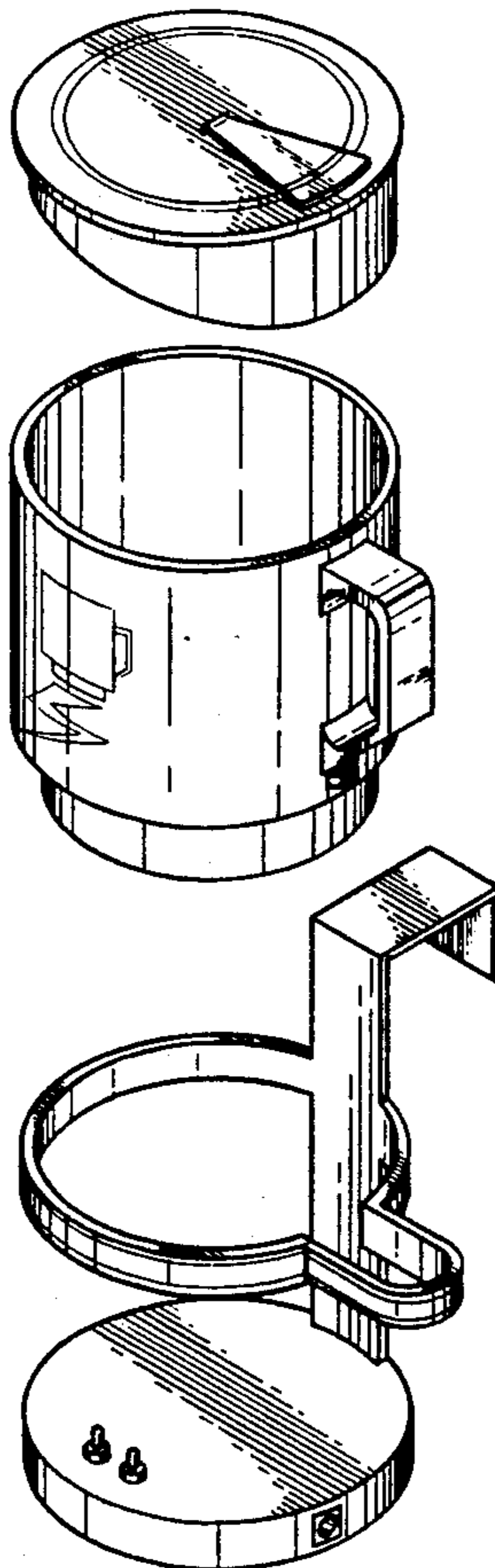
Primary Examiner—Alan P. Douglas
Assistant Examiner—M. N. Pandozzi
Attorney, Agent, or Firm—Terry M. Gernstein

[57] CLAIM

The ornamental design for a combined cup with heating element, as shown and described.

DESCRIPTION

FIG. 1 is an exploded perspective view of a combined cup with heating element, showing my new design; FIG. 2 is a front elevational view thereof; FIG. 3 is a rear elevational view thereof; FIG. 4 is a left side elevational view thereof; FIG. 5 is a right side elevational view thereof; FIG. 6 is a top plan view thereof; and, FIG. 7 is a bottom plan view thereof.



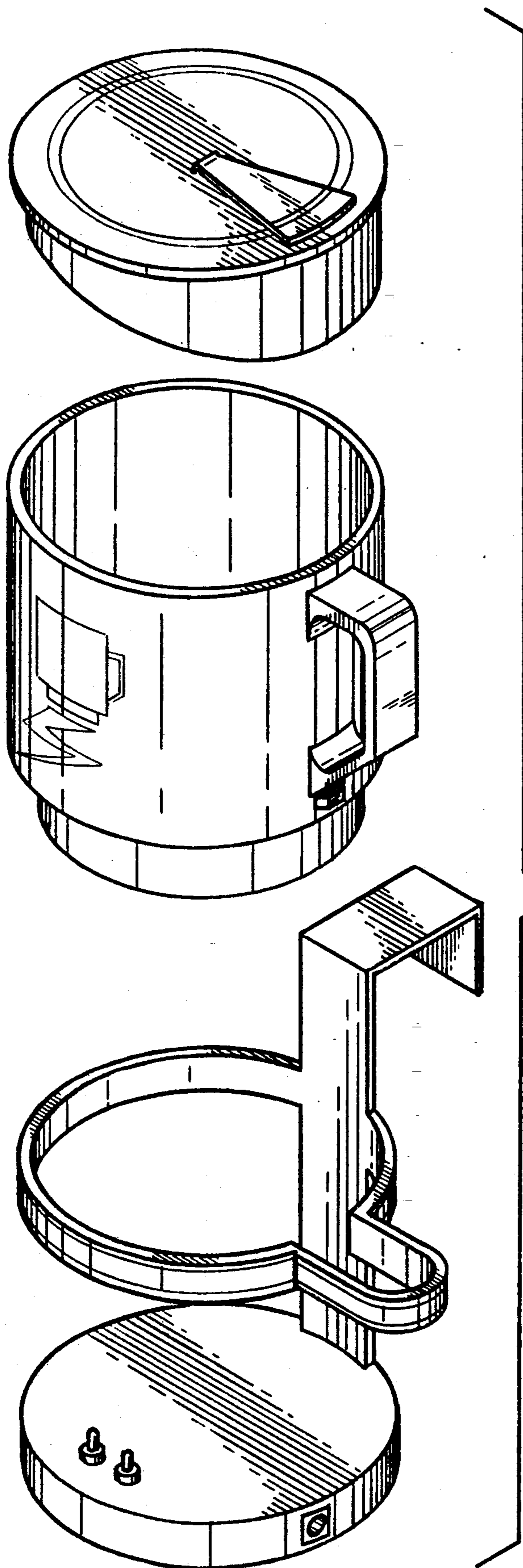


FIG.1

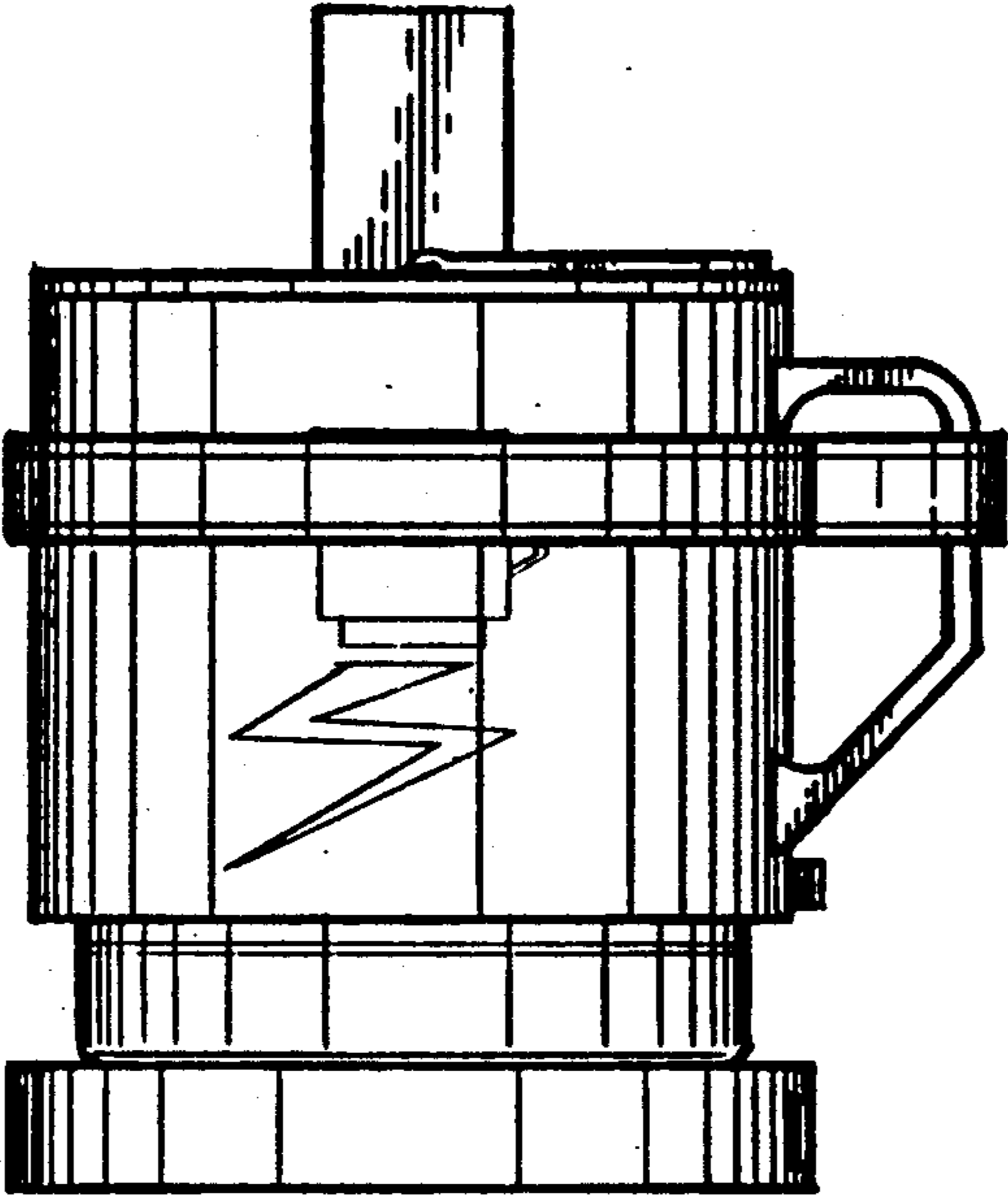


FIG. 2

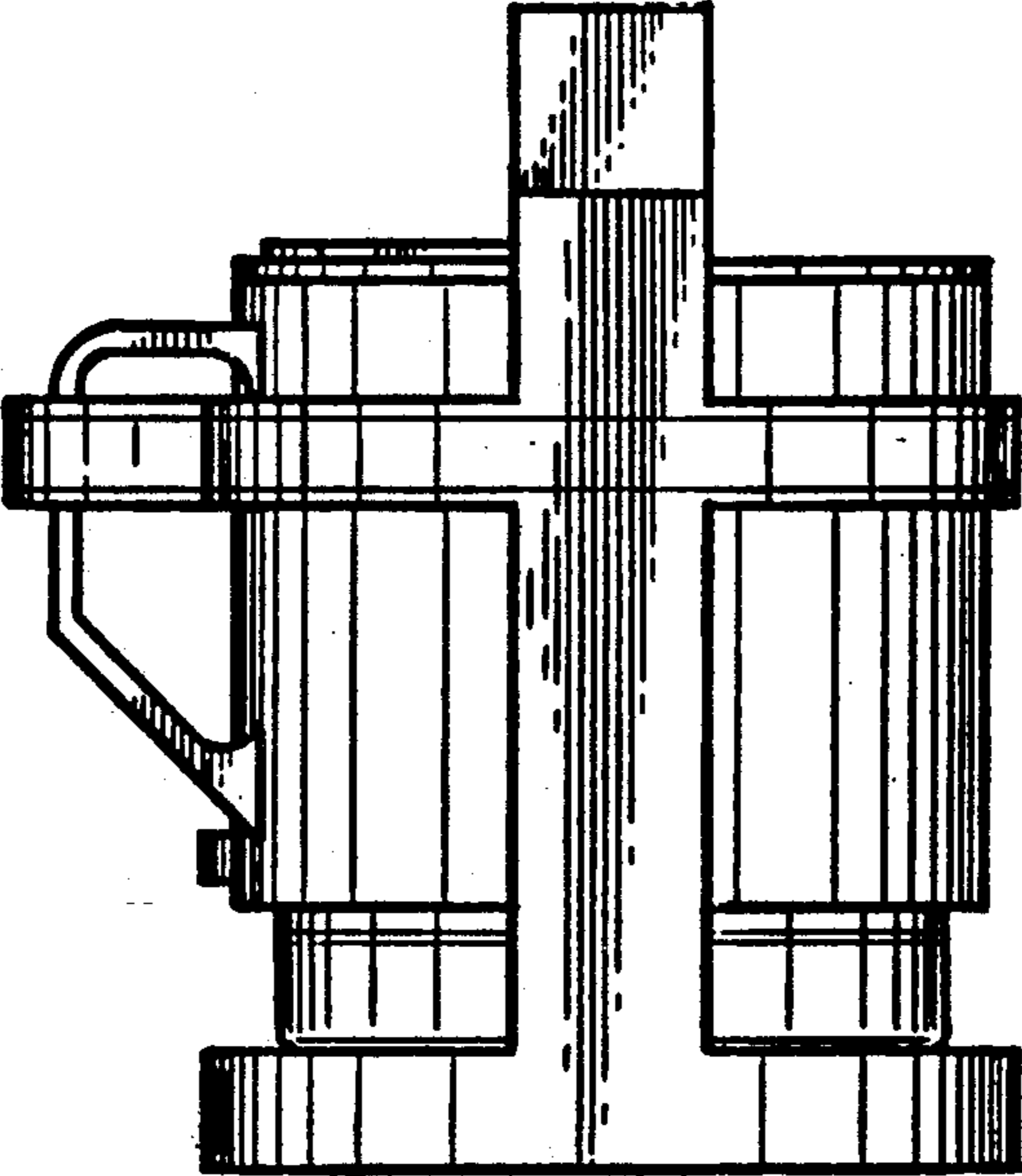


FIG. 3

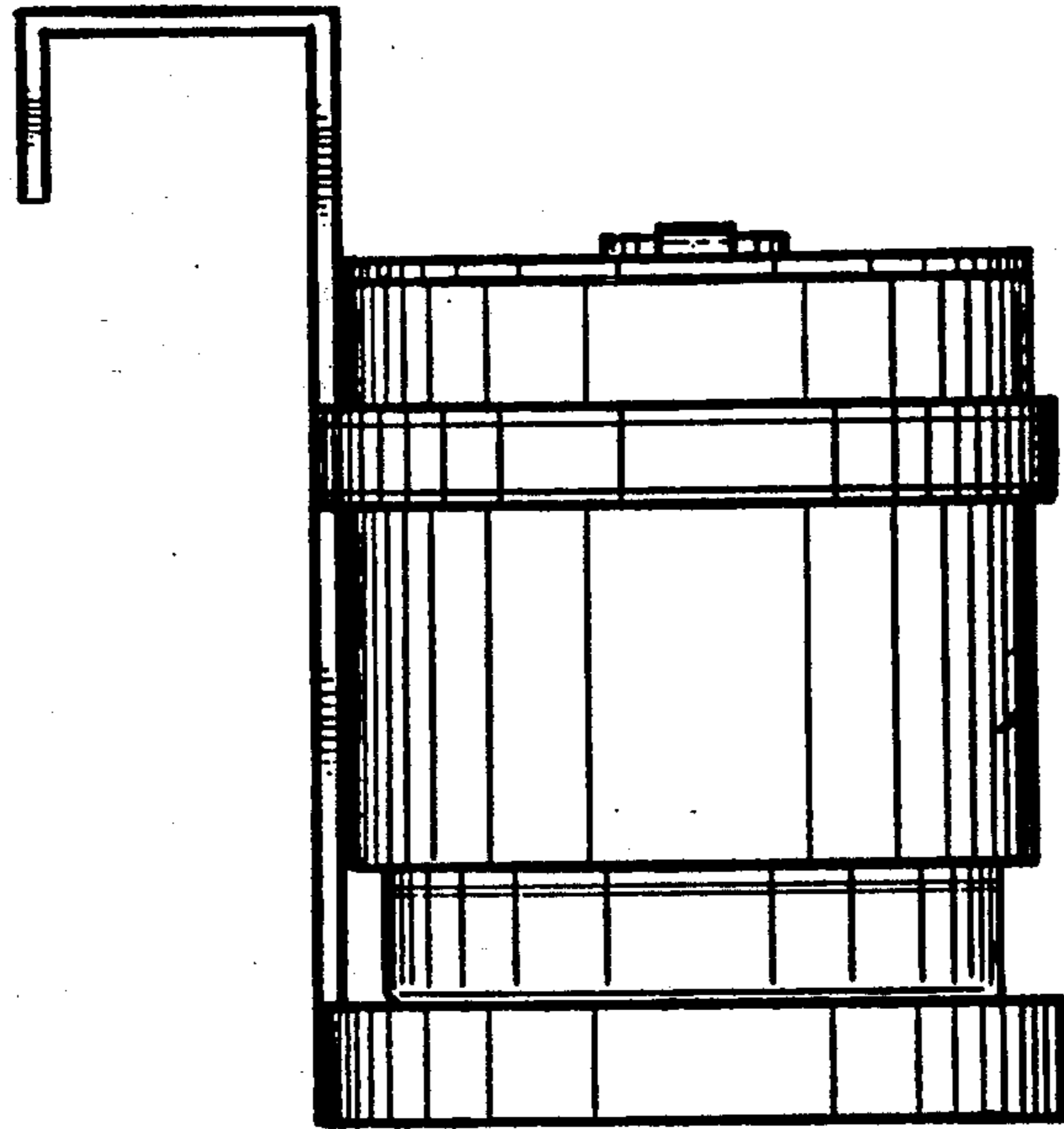


FIG. 4

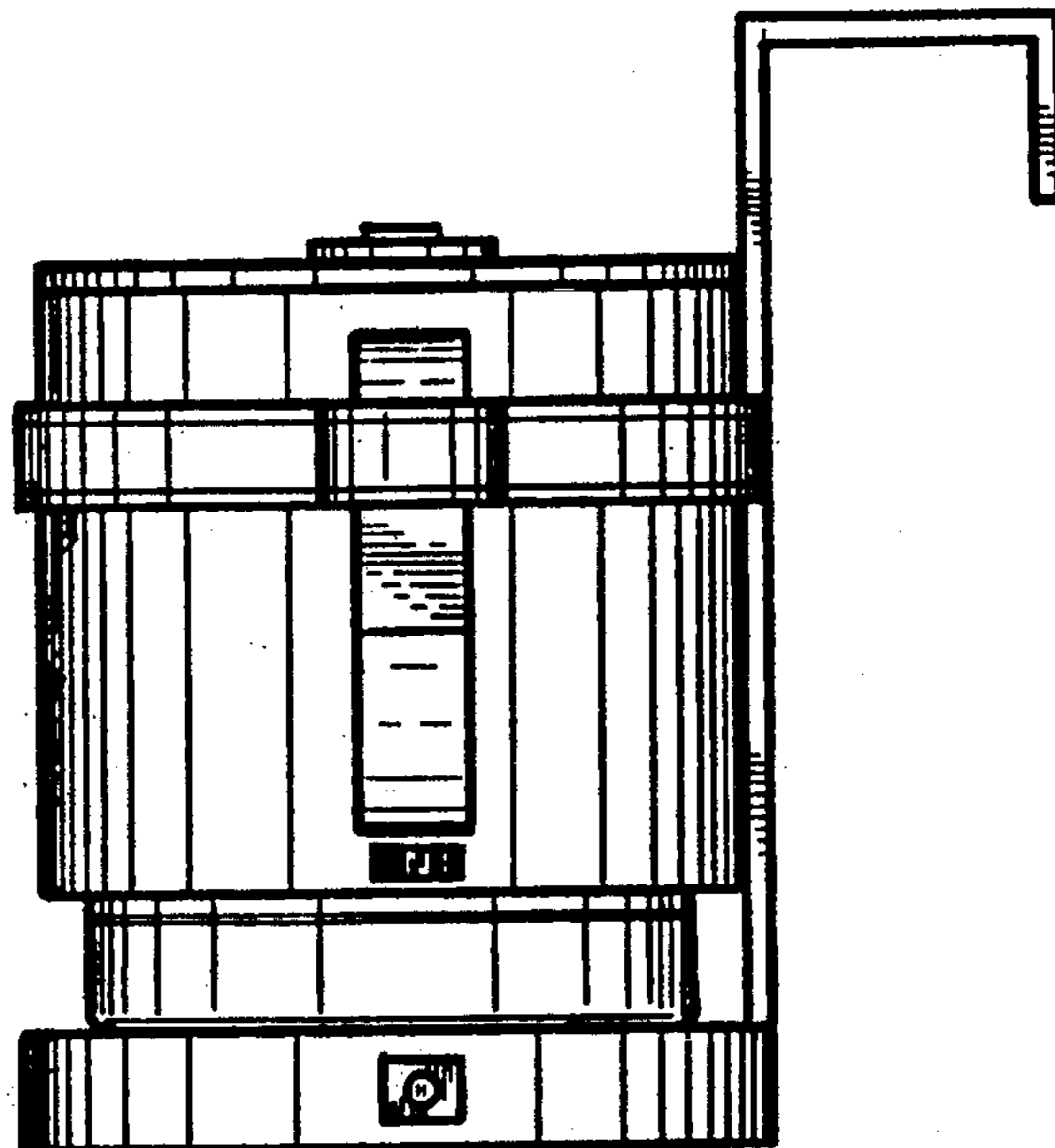


FIG. 5

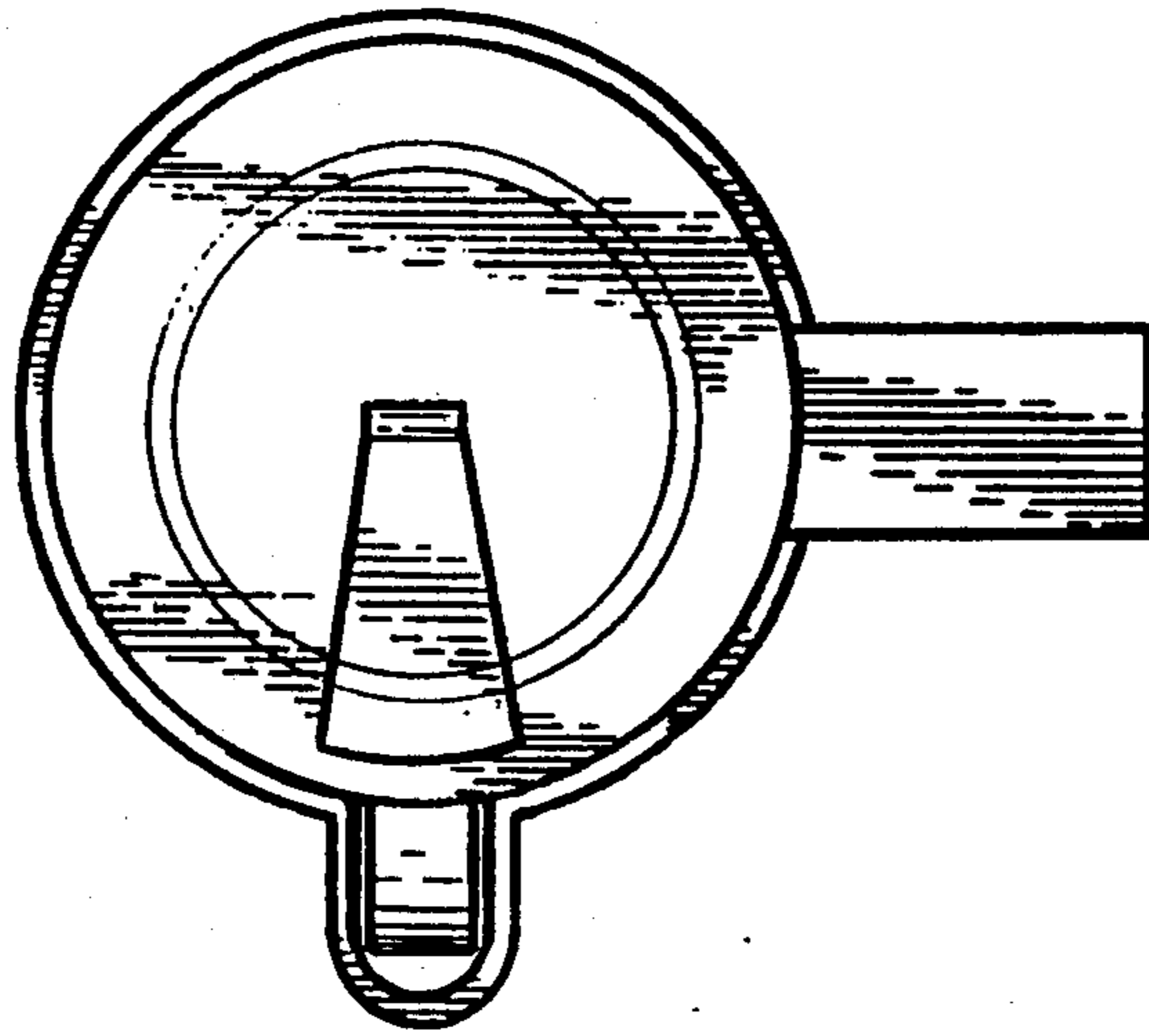


FIG. 6

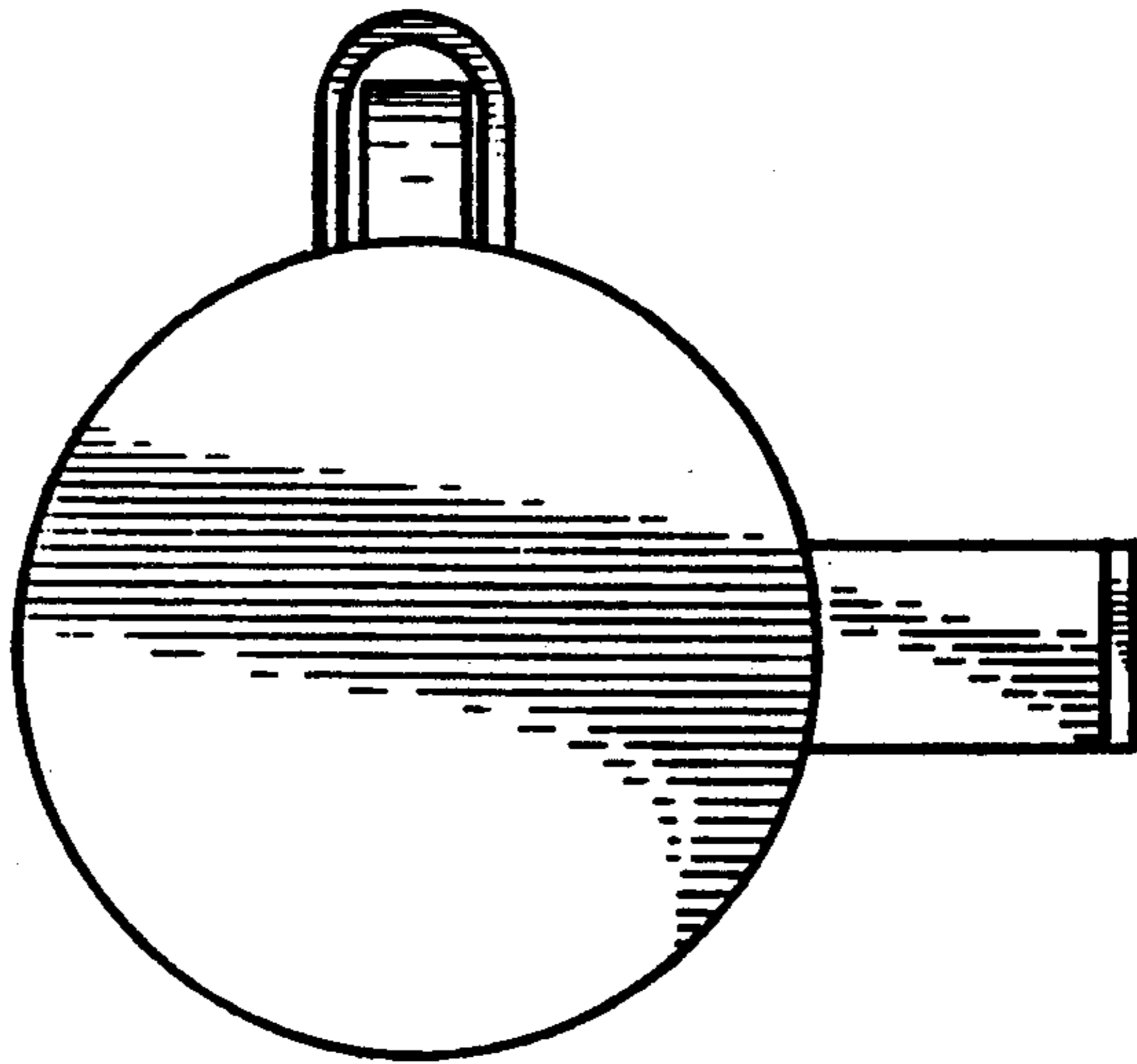


FIG. 7