



US00D333754S

United States Patent [19]

[11] Patent Number: **Des. 333,754**

Conti

[45] Date of Patent: **** Mar. 9, 1993**

[54] **CASSEROLE DISH COVER**

[75] Inventor: **Rino Conti, Stoughton, Mass.**

[73] Assignee: **Dart Industries Inc., Deerfield, Ill.**

[**] Term: **14 Years**

[21] Appl. No.: **902,337**

[22] Filed: **Jun. 22, 1992**

D. 309,554	7/1990	Meisner	D7/538
D. 323,097	1/1992	Picozza	D7/540
840,762	1/1907	Gaenzle	D7/391 X
2,822,952	2/1958	Scott	.	
4,563,561	1/1986	Vaeth et al.	D7/550 X
5,065,889	11/1991	Conti	.	

Primary Examiner—Alan P. Douglas
Assistant Examiner—M. N. Padozzi
Attorney, Agent, or Firm—John A. Doninger

Related U.S. Application Data

[63] Continuation of Ser. No. 561,532, Aug. 1, 1990, abandoned.

[52] U.S. Cl. **D7/392.1; D7/540**

[58] Field of Search **D7/359, 392.1, 362, D7/363, 355, 397, 550, 552, 557, 538, 540, 543, 392, 391; 220/574, 574.1, 575**

[57] CLAIM

The ornamental design for a casserole dish cover, as shown.

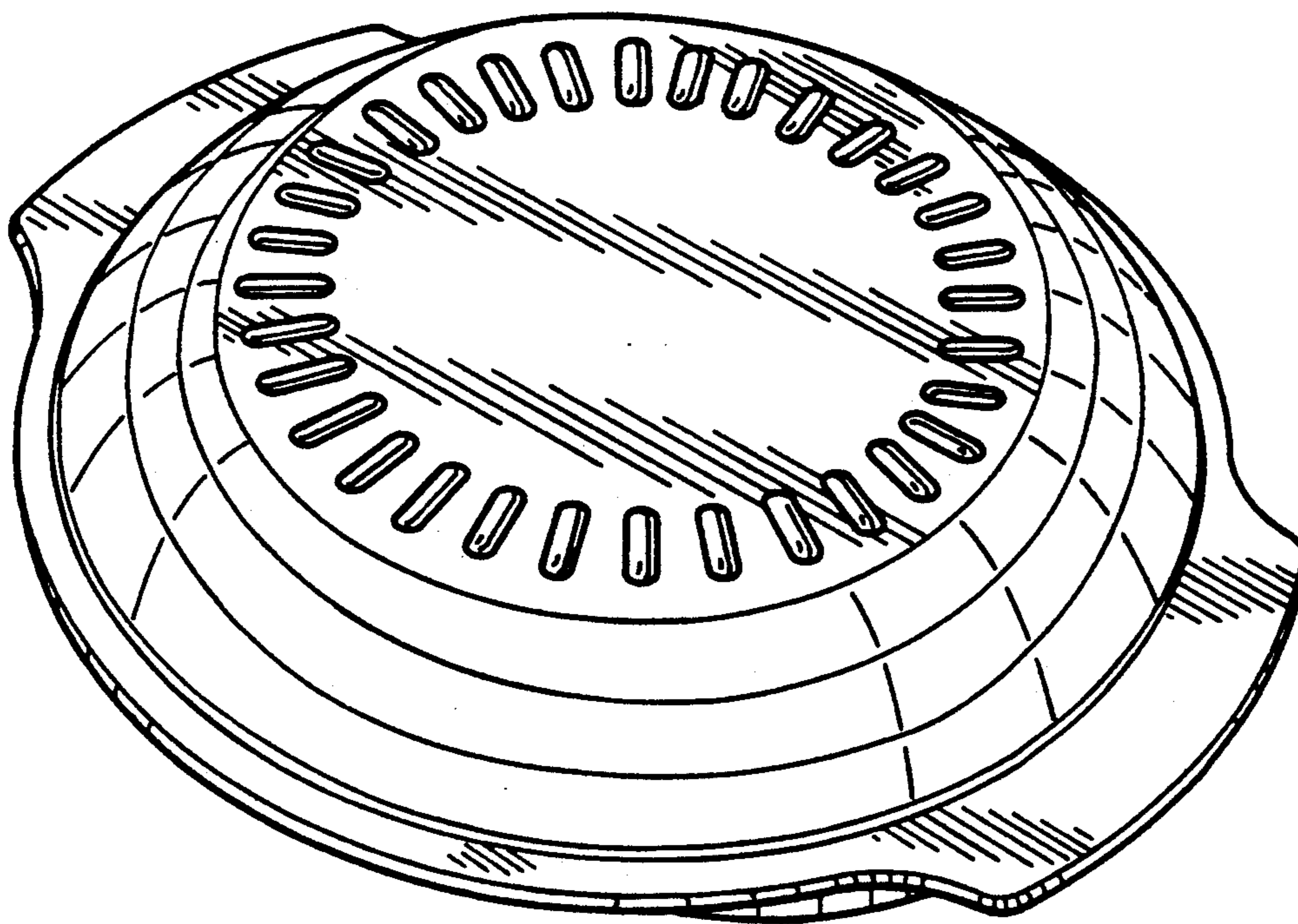
[56] References Cited

U.S. PATENT DOCUMENTS

D. 226,724	4/1973	Mirow	D7/392.1 X
D. 230,573	3/1974	Commisso	D7/392.1 X
D. 237,689	11/1975	Davis	D7/392.1
D. 257,463	10/1980	Campbell et al.	.	
D. 261,348	10/1981	Groh et al.	D7/391
D. 269,593	7/1983	Gruodis et al.	.	
D. 275,636	9/1984	Picozza	D7/392.1
D. 281,480	11/1985	McClelland	.	
D. 281,758	12/1985	Trumbly	D7/392.1 X
D. 287,208	12/1986	Daenen et al.	.	
D. 287,917	1/1987	Pomroy et al.	D7/540 X
D. 288,649	3/1987	Daenen et al.	.	

DESCRIPTION

FIG. 1 is a top perspective view of the casserole dish cover showing my new design;
FIG. 2 is a bottom perspective view thereof;
FIG. 3 is a top plan view thereof;
FIG. 4 is a bottom plan view thereof;
FIG. 5 is a left side elevational view, the right side elevational view being a mirror image thereof;
FIG. 6 is a front elevational view, the rear elevational view being a mirror image thereof;
FIG. 7 is a cross-sectional view taken along line 7—7 of FIG. 3;
FIG. 8 is a cross-sectional view taken along line 8—8 of FIG. 3;
FIG. 9 is a cross-sectional view taken along line 9—9 of FIG. 3; and,
FIG. 10 is a cross-sectional view taken along line 10—10 of FIG. 3.



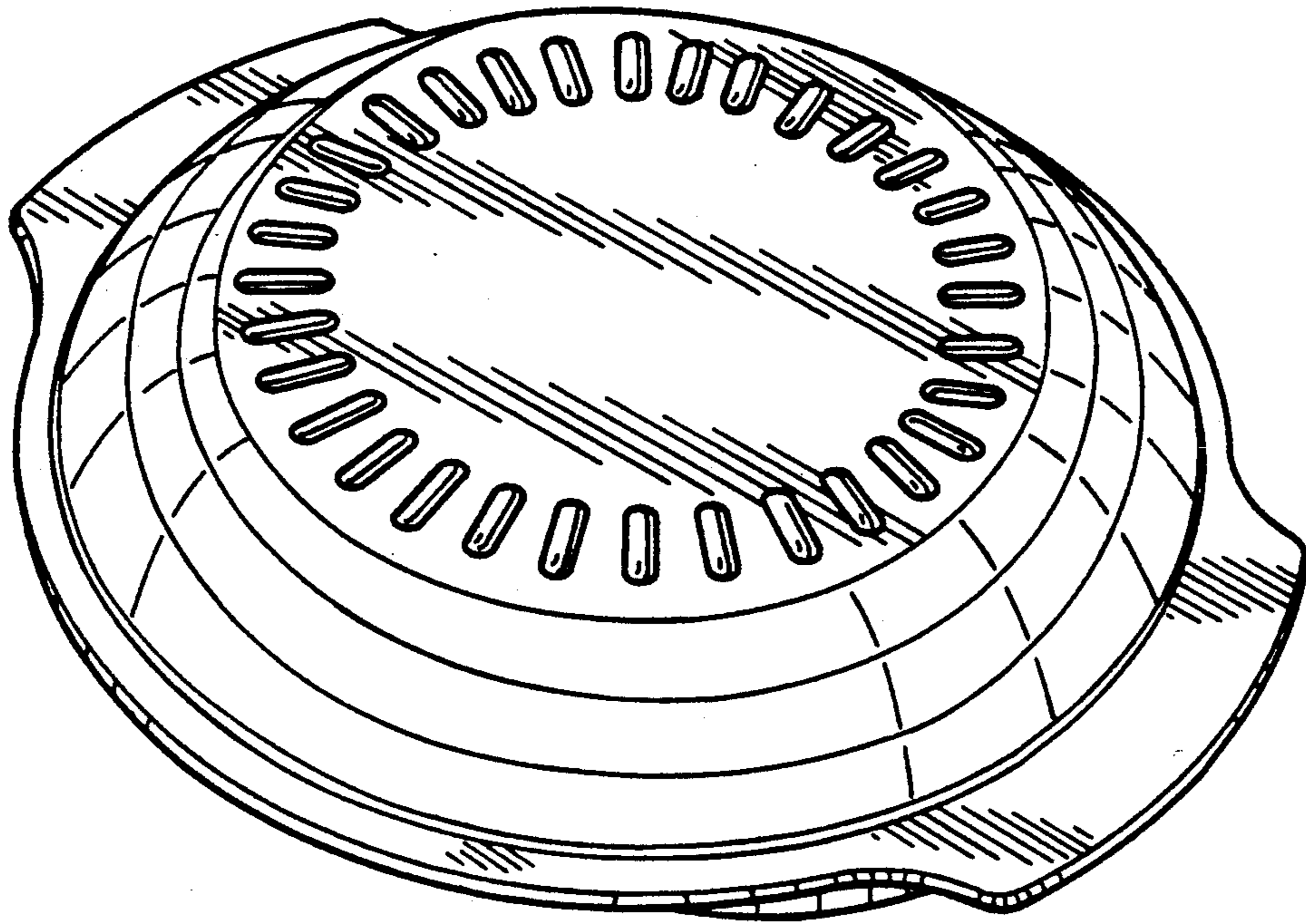


FIG. 1

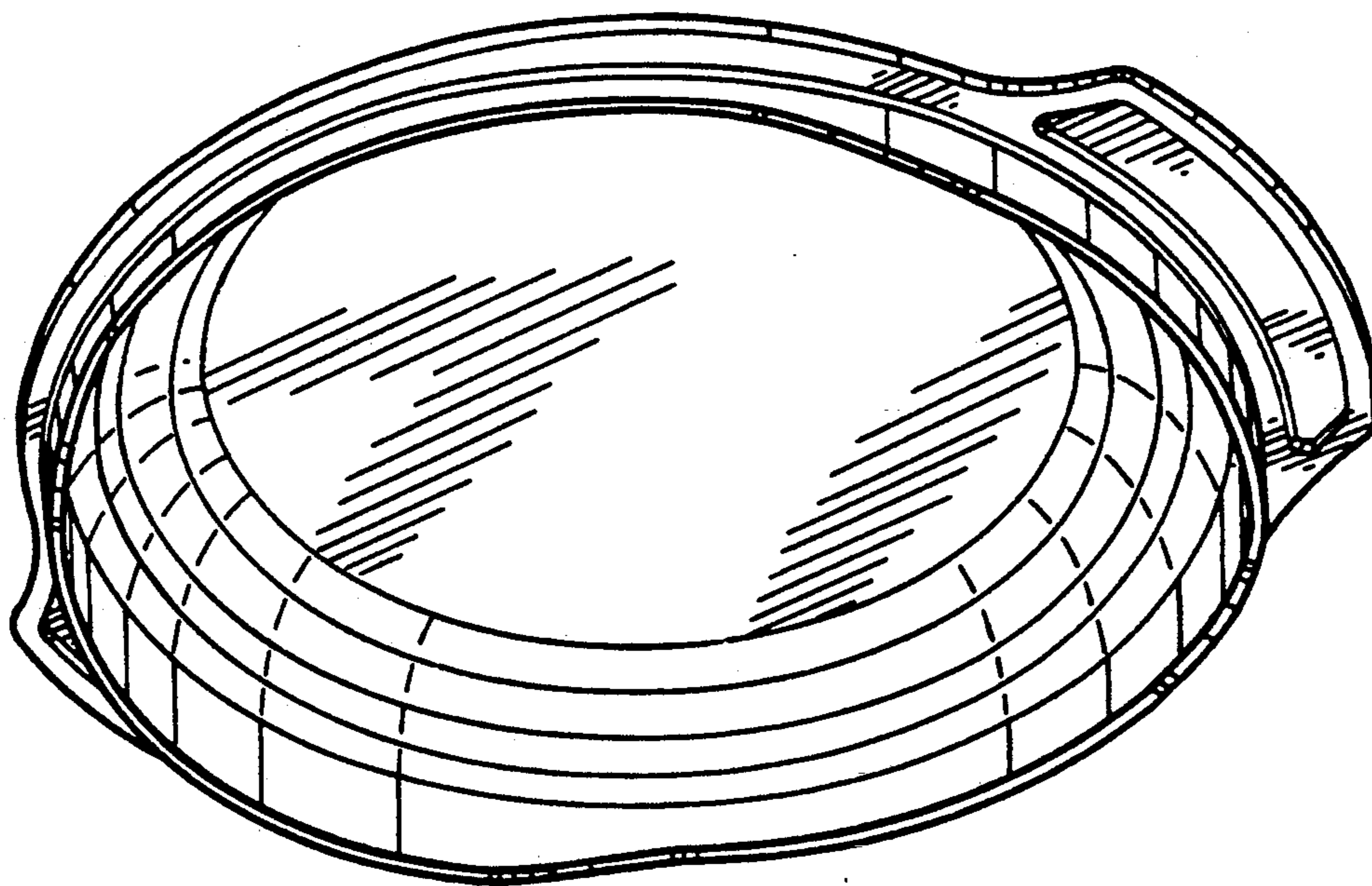


FIG. 2

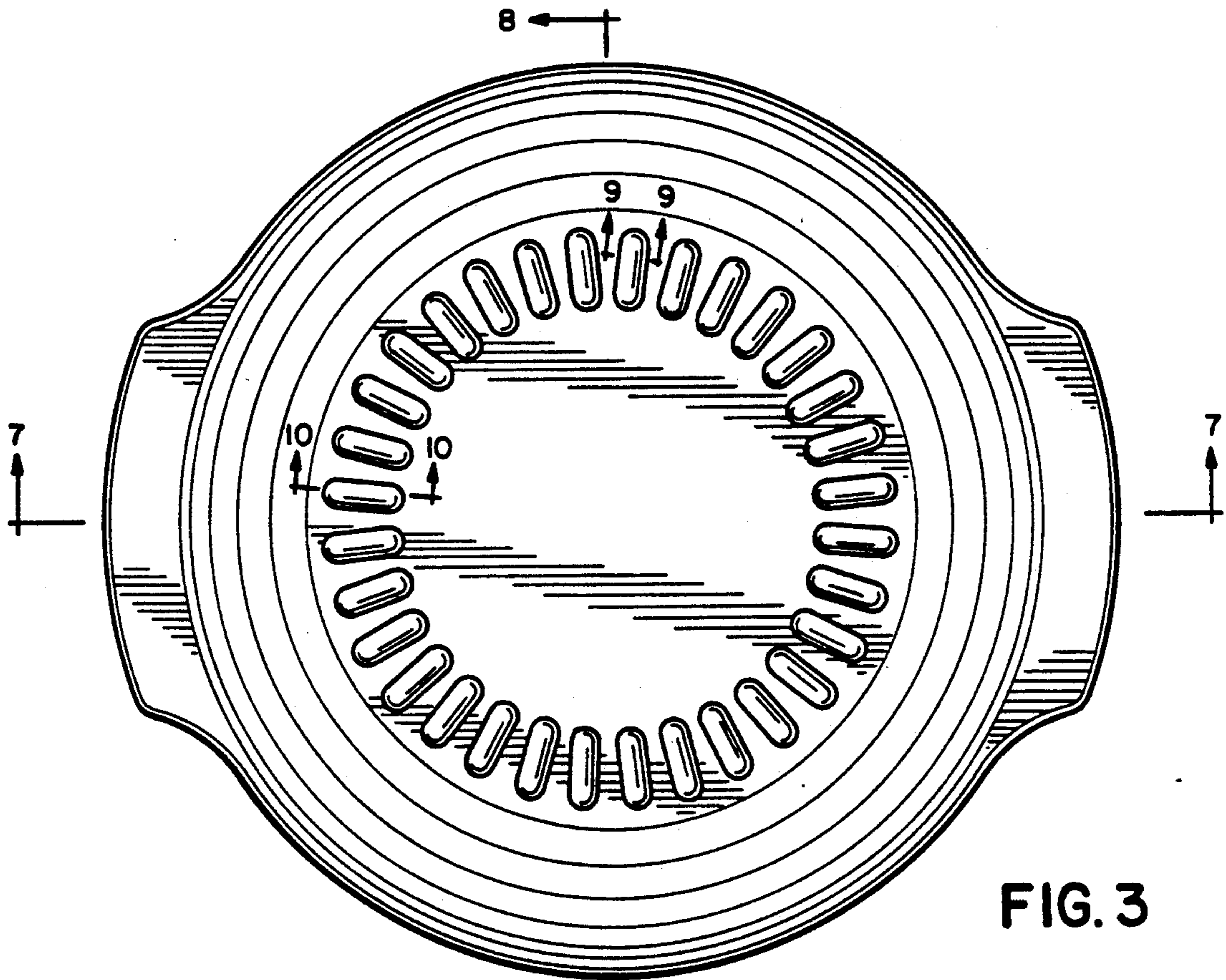


FIG. 3

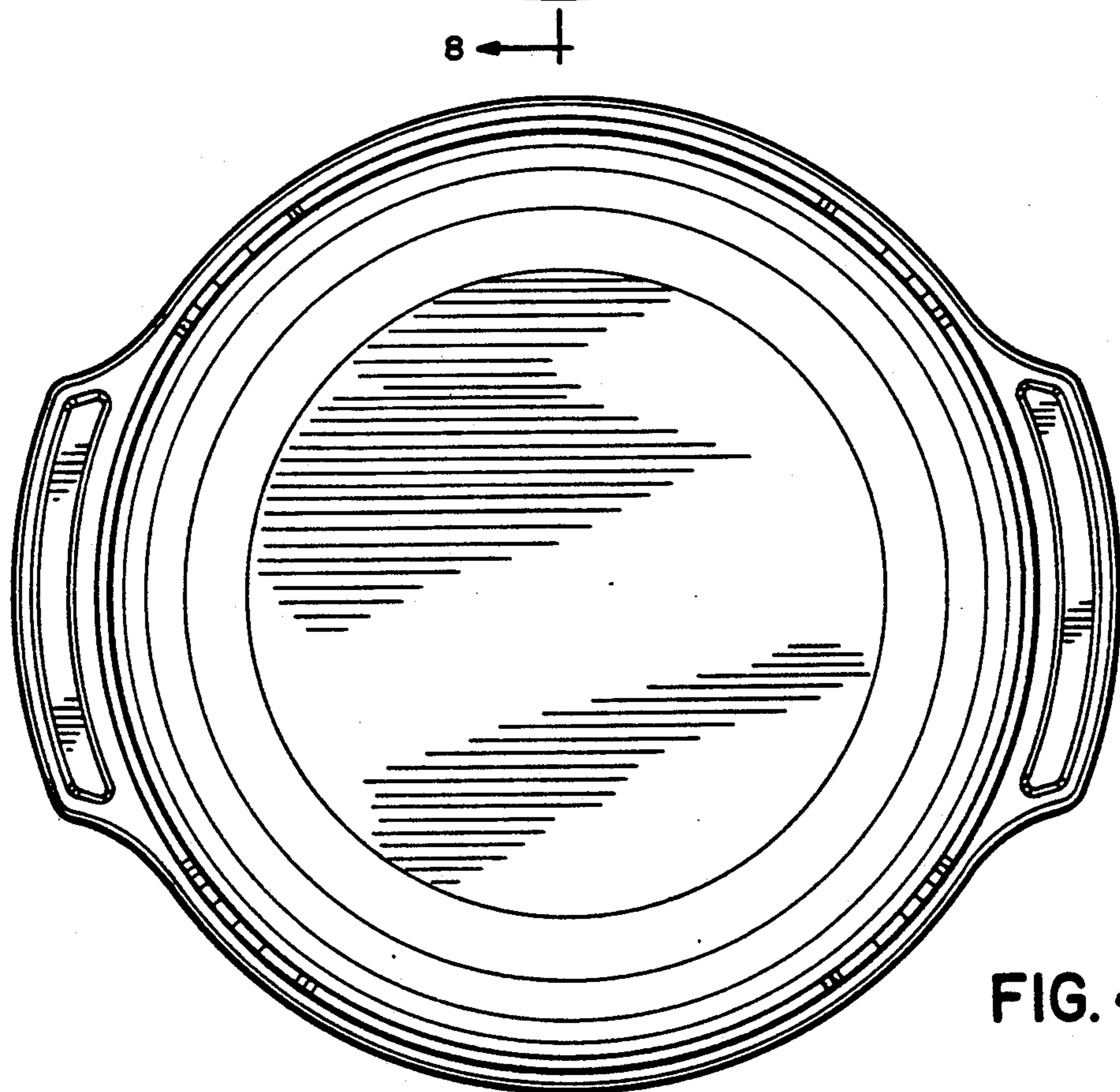


FIG. 4

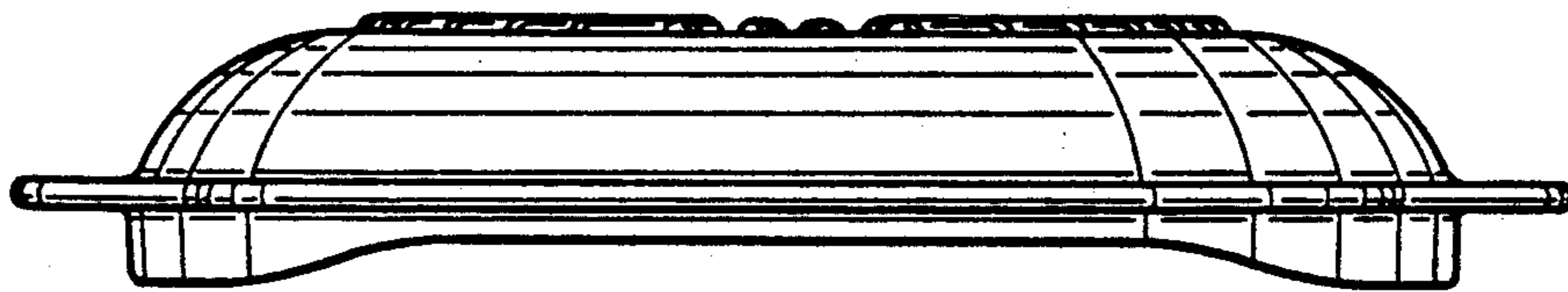


FIG. 5

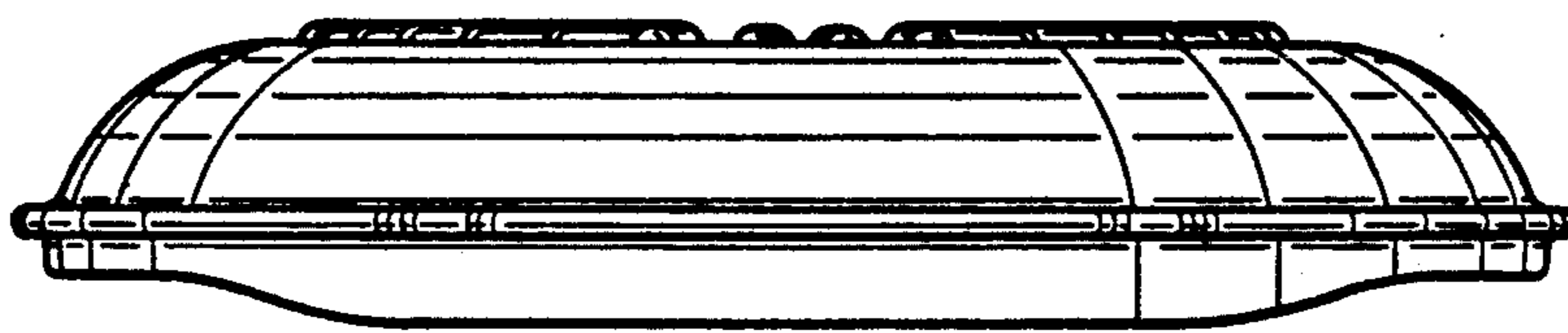


FIG. 6

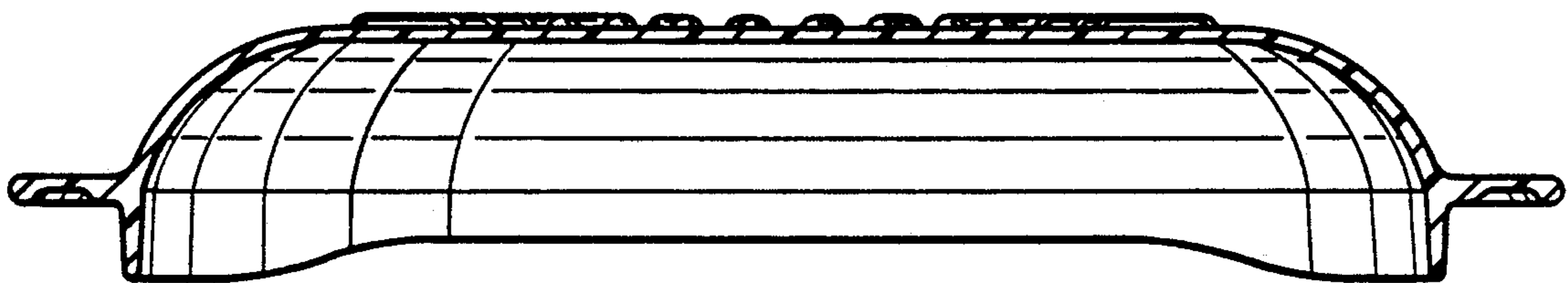


FIG. 7

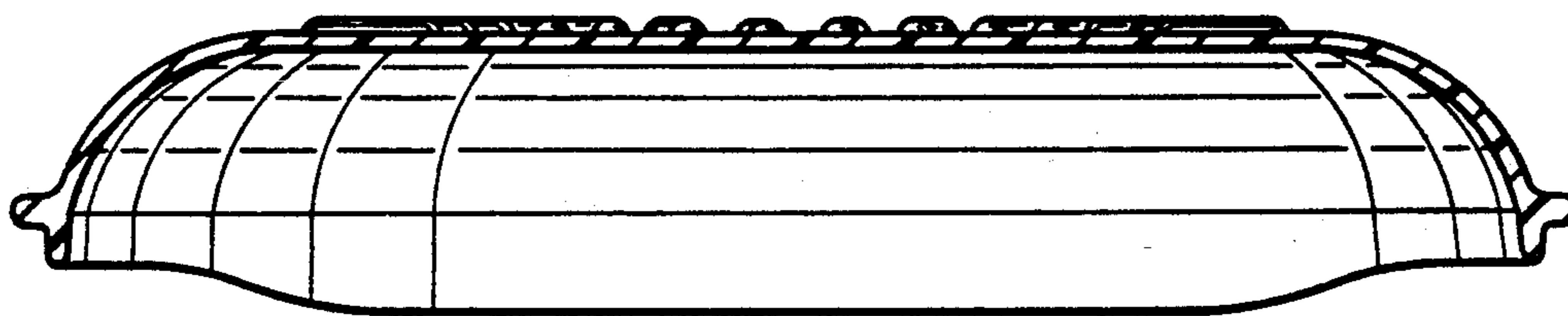


FIG. 8

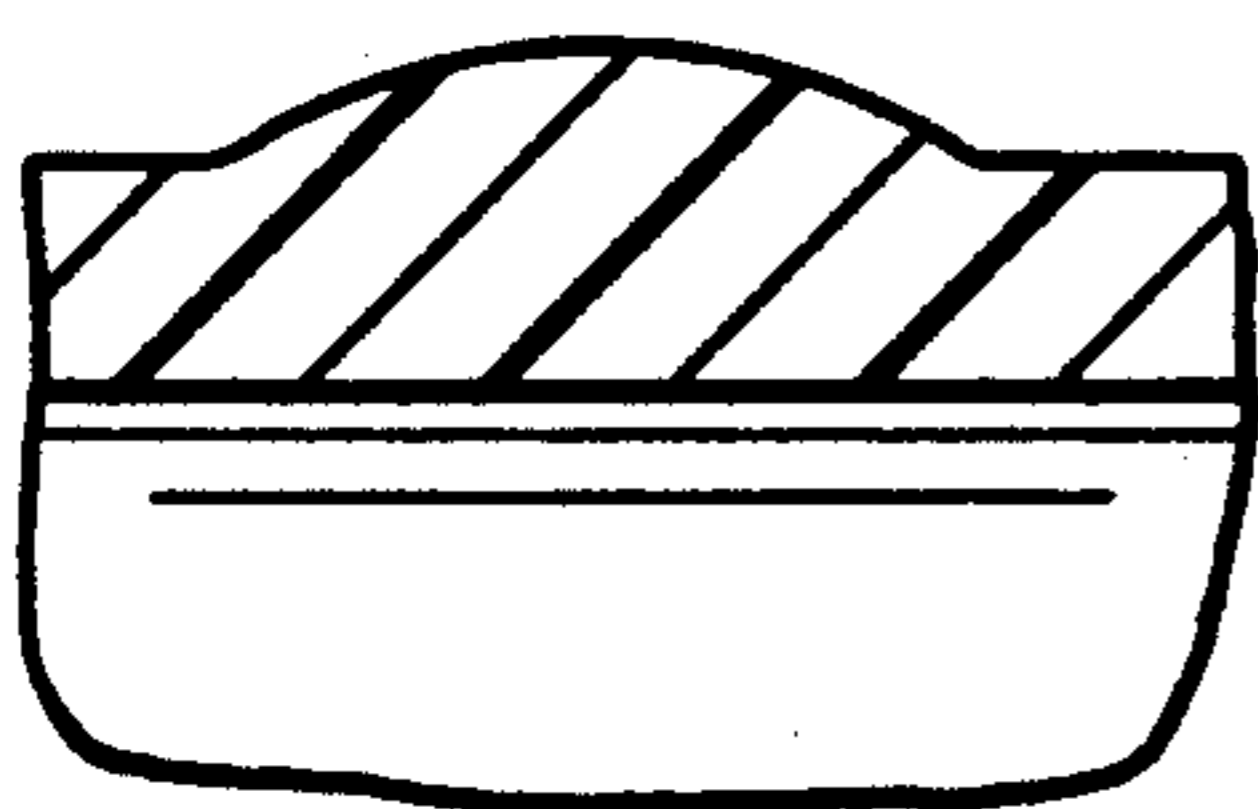


FIG. 9

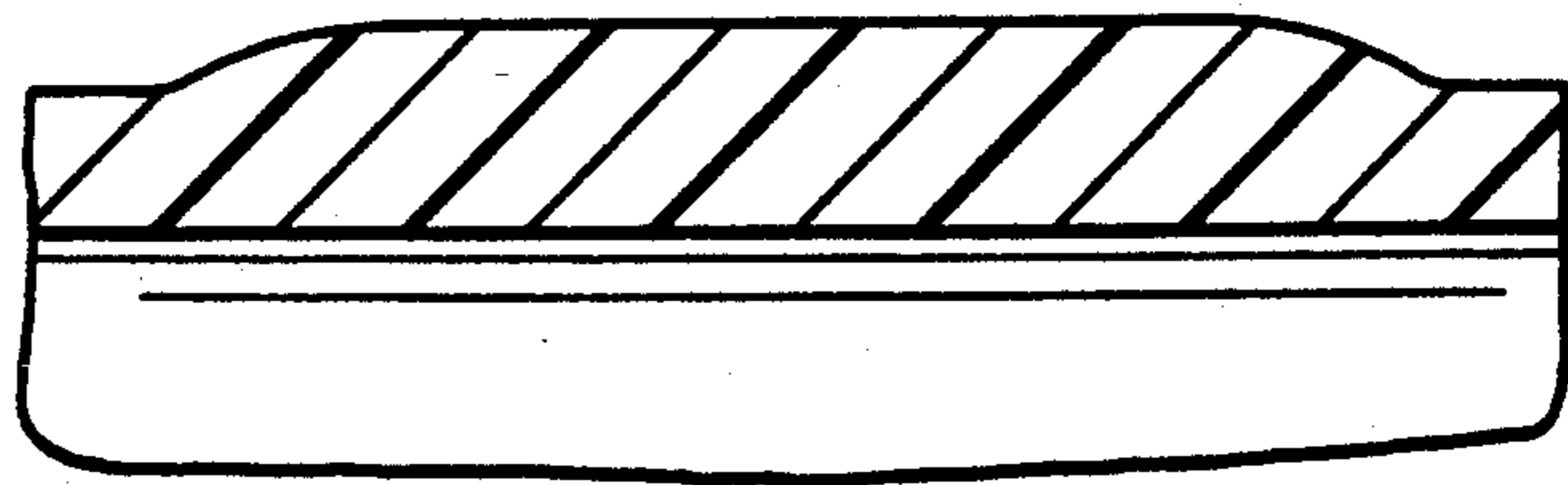


FIG. 10