



US00D333751S

# United States Patent [19]

[11] Patent Number: **Des. 333,751**

Crook et al.

[45] Date of Patent: **\*\* Mar. 9, 1993**

## [54] BATHROOM ACCESSORY SUPPORT FIXTURE

[75] Inventors: **Gregory M. Crook, Columbus; Kent W. Murphy, Wooster, both of Ohio**

[73] Assignee: **Rubbermaid Incorporated, Wooster, Ohio**

[\*\*] Term: **14 Years**

[21] Appl. No.: **528,774**

[22] Filed: **May 25, 1990**

[52] U.S. Cl. .... **D6/524; D6/531; D6/534**

[58] Field of Search ..... **D6/524, 527-535; 206/77.1; 211/13, 60.1, 65, 75, 87-88; 248/309 R, 312, 311.2**

### [56] References Cited

#### U.S. PATENT DOCUMENTS

- D. 154,476 7/1949 Heym .
- D. 154,909 8/1949 Crane .
- D. 171,001 12/1953 Mayer ..... D6/531
- D. 210,467 3/1968 Gardner .
- D. 215,551 10/1969 Carroll .
- D. 253,504 11/1979 Grosfillex .
- D. 262,841 2/1982 Shames et al. .
- D. 267,528 1/1983 Cohen .
- D. 276,293 11/1984 Boroch ..... D6/535
- D. 278,586 4/1985 Thompson .
- D. 291,519 8/1987 Chap .
- D. 294,906 3/1988 Pool ..... D6/531
- D. 306,811 3/1990 DeLeon ..... D6/531
- 1,581,250 6/1924 Treubig .

### OTHER PUBLICATIONS

"Form" (1979) p. 95 Wall-Mounted Cup Holder—lower left corner.

Pami Catalogue (1987) "Newport" Cup Holder #7005. "Abitare" (Jun. 1979) p. 52, Wall-Mounted Cup Holder—lower left corner.

"Domus" (May 1988) p. 14—Cup Holder (top left). Catalog Page, S. A. Grosfillex, Belgique/Belgie, 334 Chaussee d'Alseberg, 1180 Bruxelles, publication date unknown.

Catalog Page, Rubbermaid Incorporated, 1147 Akron Road, Wooster, Ohio 44691, publication date 1979.

*Primary Examiner*—Brian N. Vinson  
*Attorney, Agent, or Firm*—Richard B. O'Planick

### [57] CLAIM

The ornamental design for a bathroom accessory support fixture, shown and described.

### DESCRIPTION

FIG. 1 is a top, front, and right side perspective view of a bathroom accessory support fixture showing my new design embodied in a combination toothbrush and tumbler holder;

FIG. 2 is a top plan view thereof;

FIG. 3 is a bottom plan view thereof;

FIG. 4 is a front elevational view thereof;

FIG. 5 is a rear elevational view thereof;

FIG. 6 is a right side elevational view thereof, the left side being a mirror image of that shown;

FIG. 7 is a top, front, and right side perspective view of a bathroom accessory support fixture showing my new design embodied in a toothbrush holder;

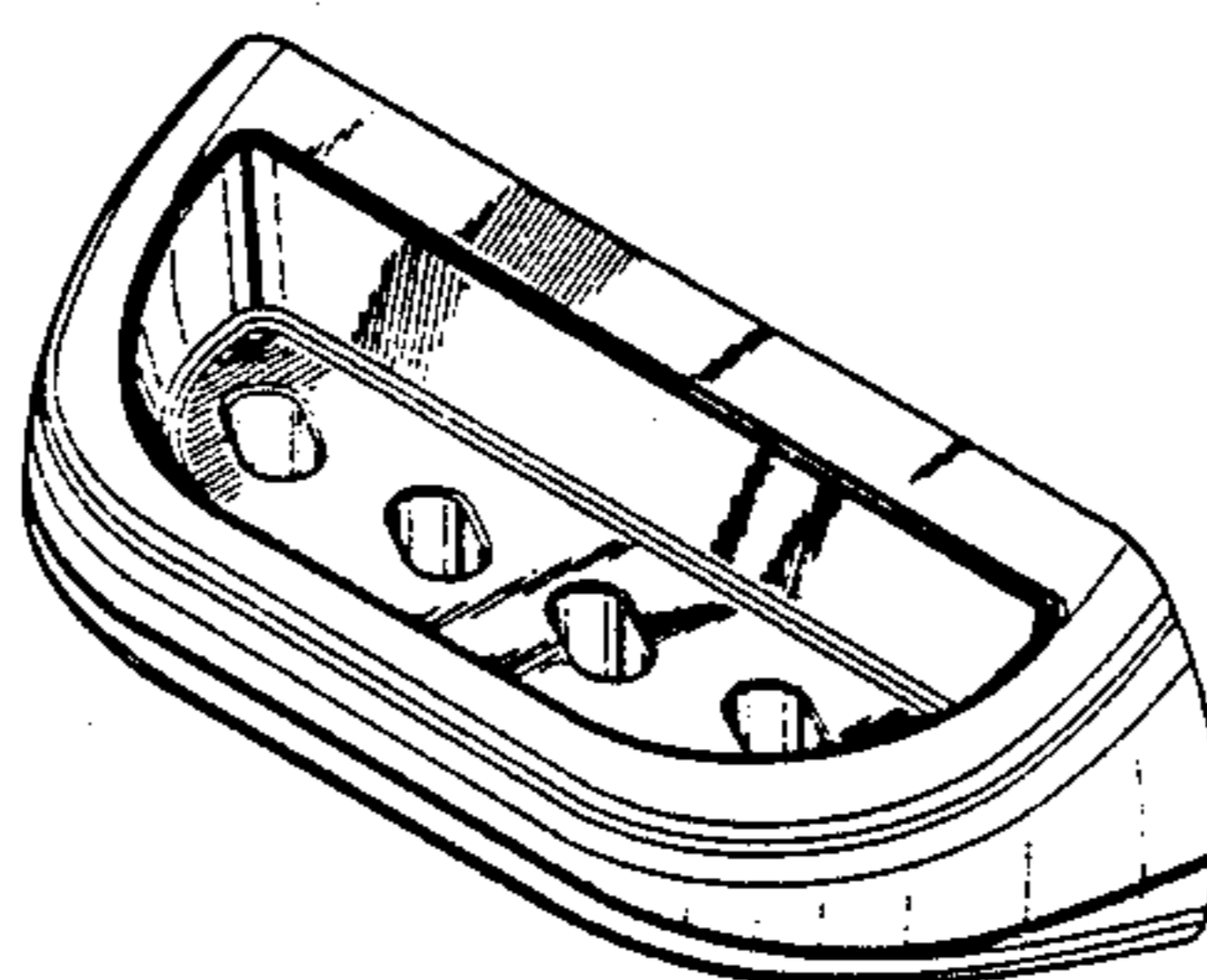
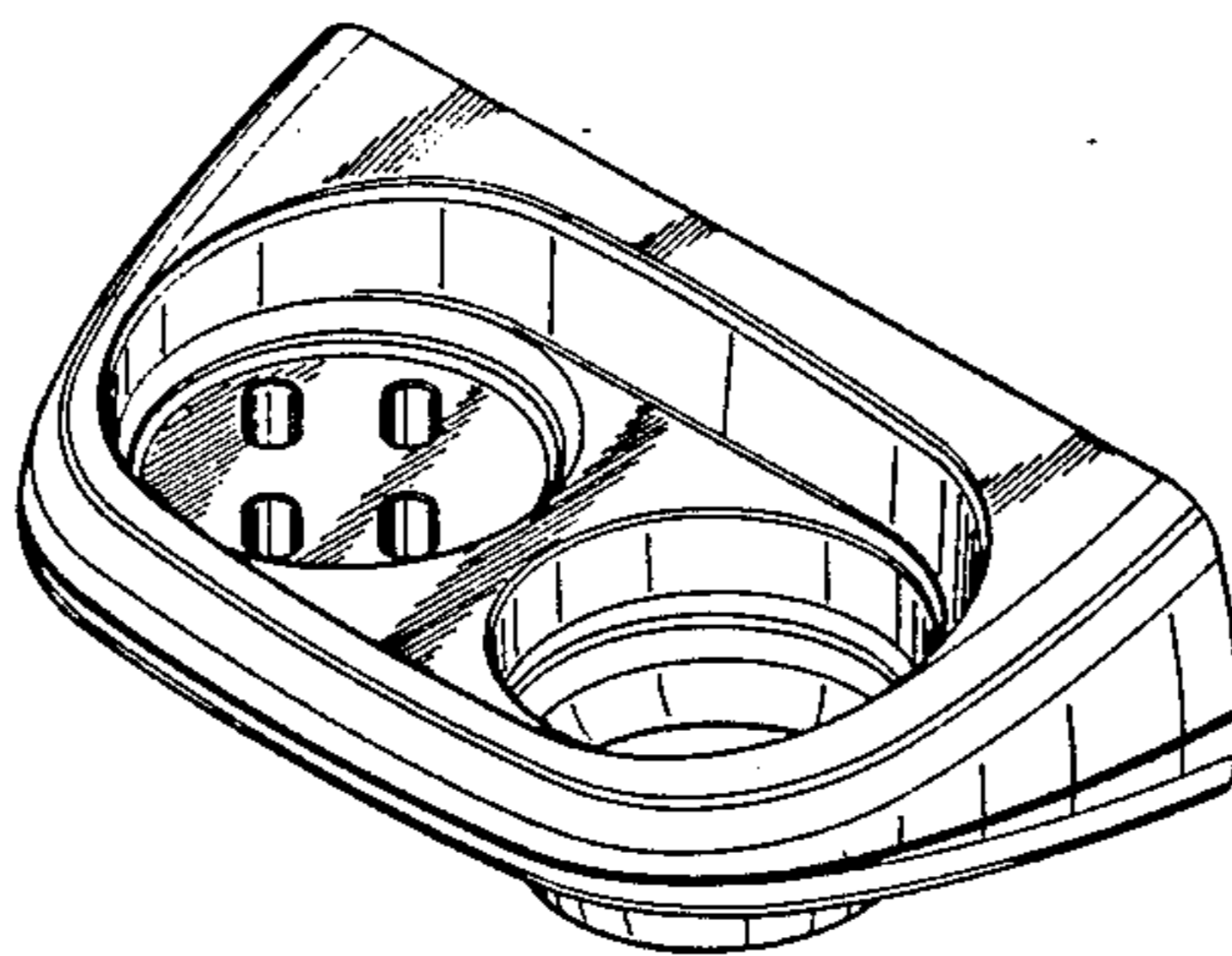
FIG. 8 is a top plan view thereof;

FIG. 9 is a front elevational view thereof;

FIG. 10 is a rear elevational view thereof;

FIG. 11 is a bottom plan view thereof; and,

FIG. 12 is a right side elevational view thereof, the left side being a mirror image of that shown.



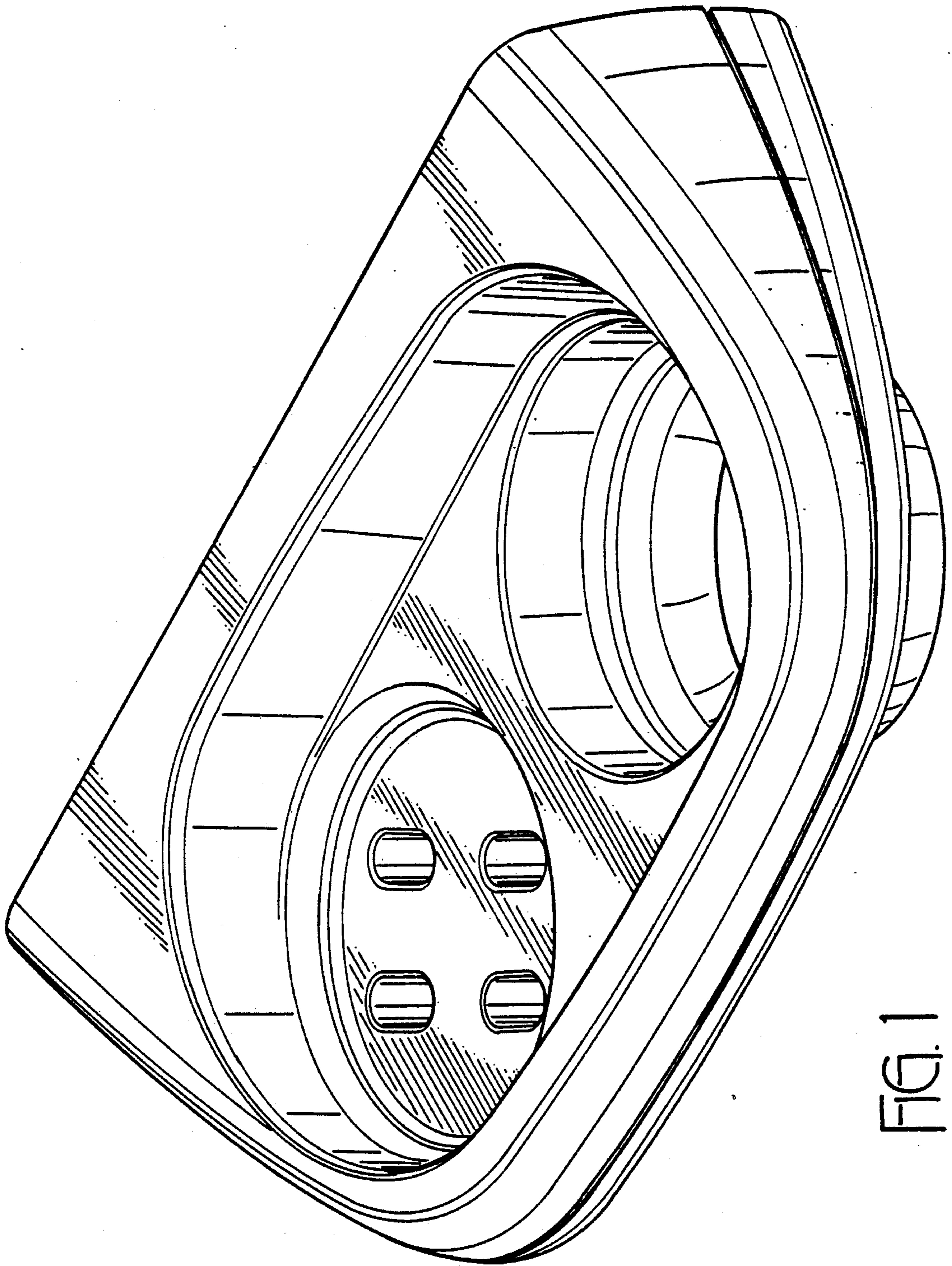


FIG. 1



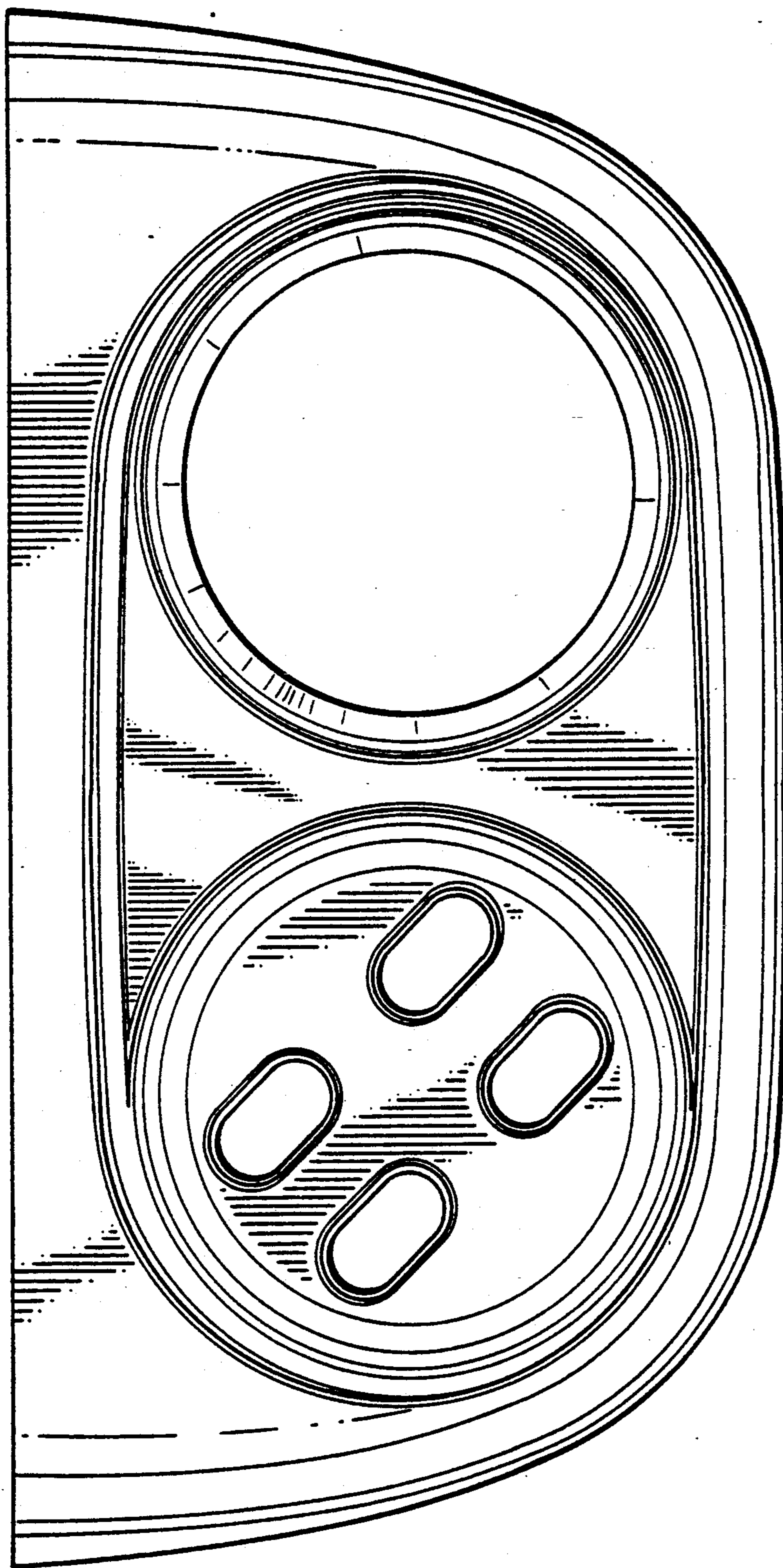


FIG. 2

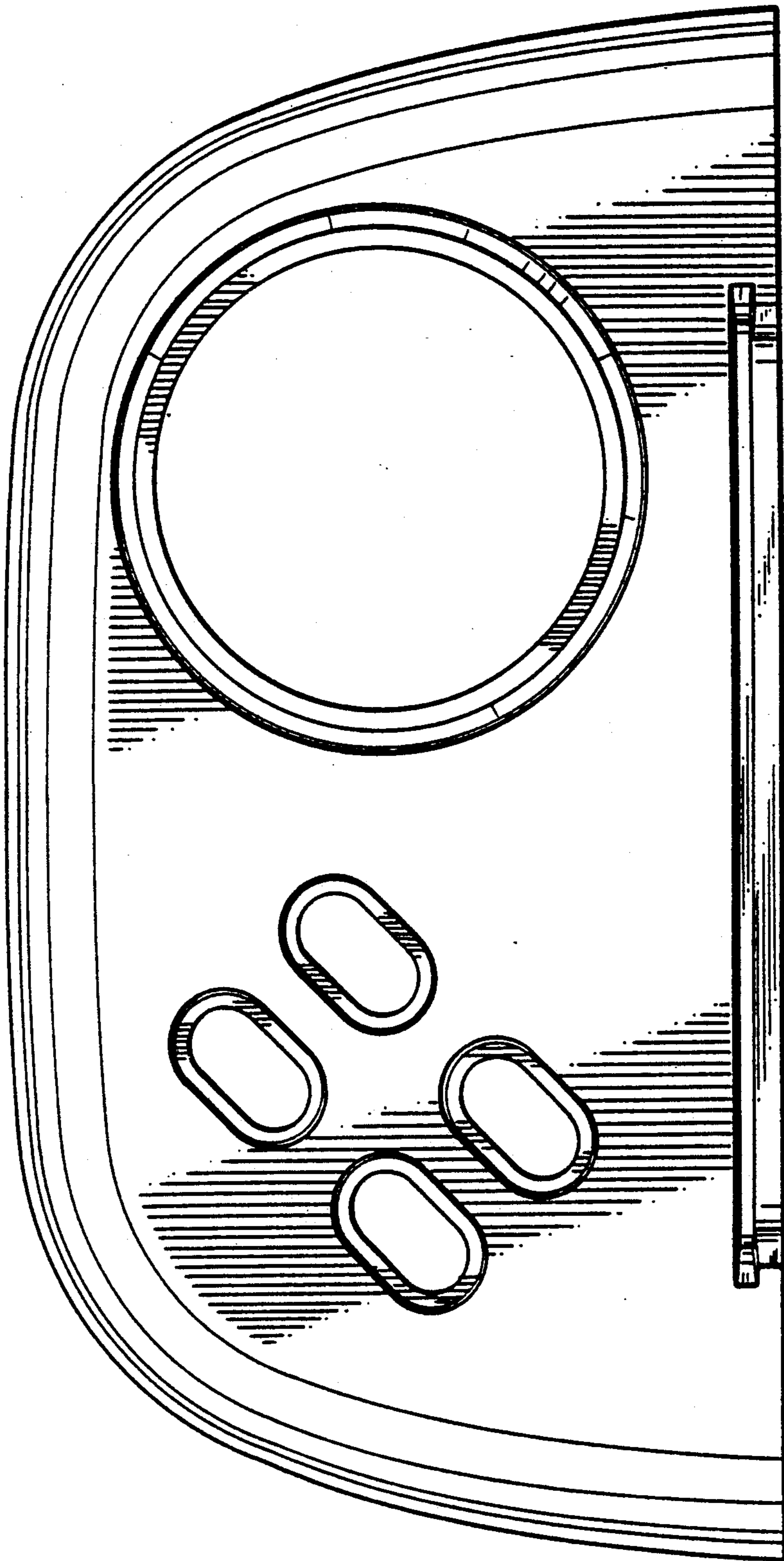


FIG. 3

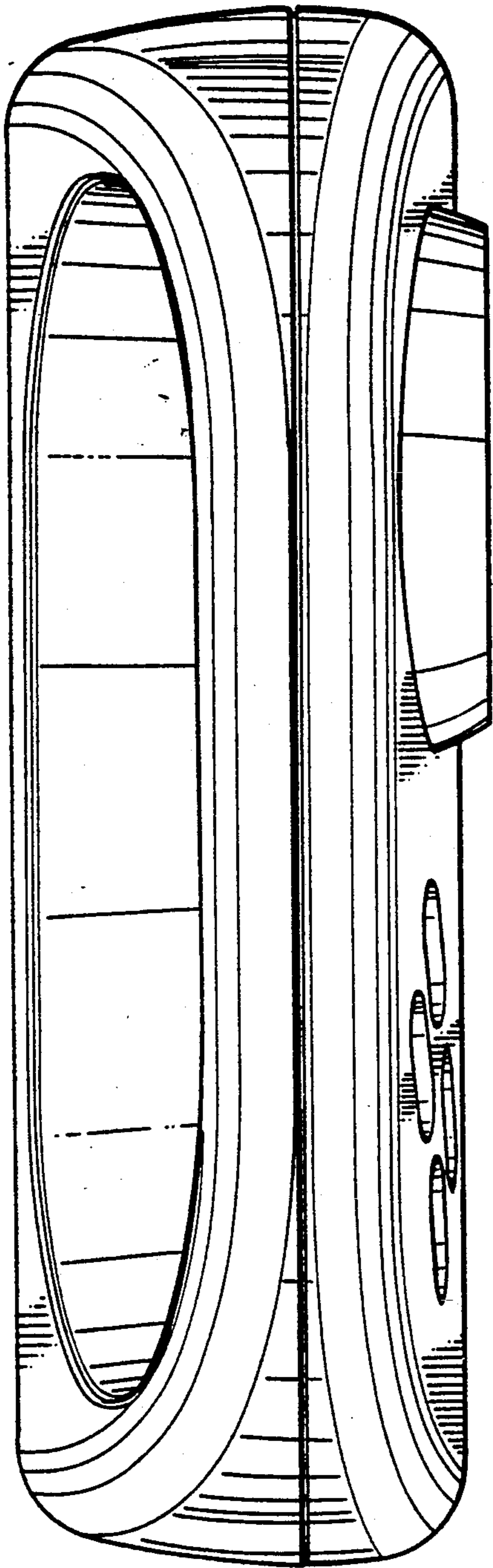


FIG. 4

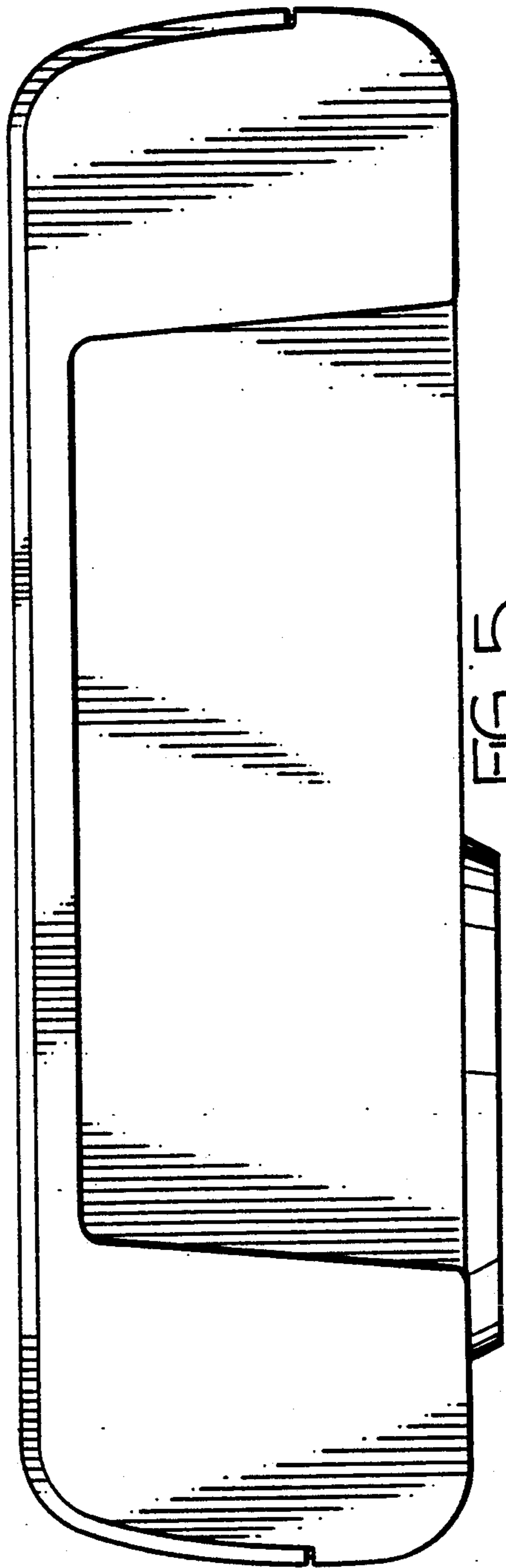


FIG. 5



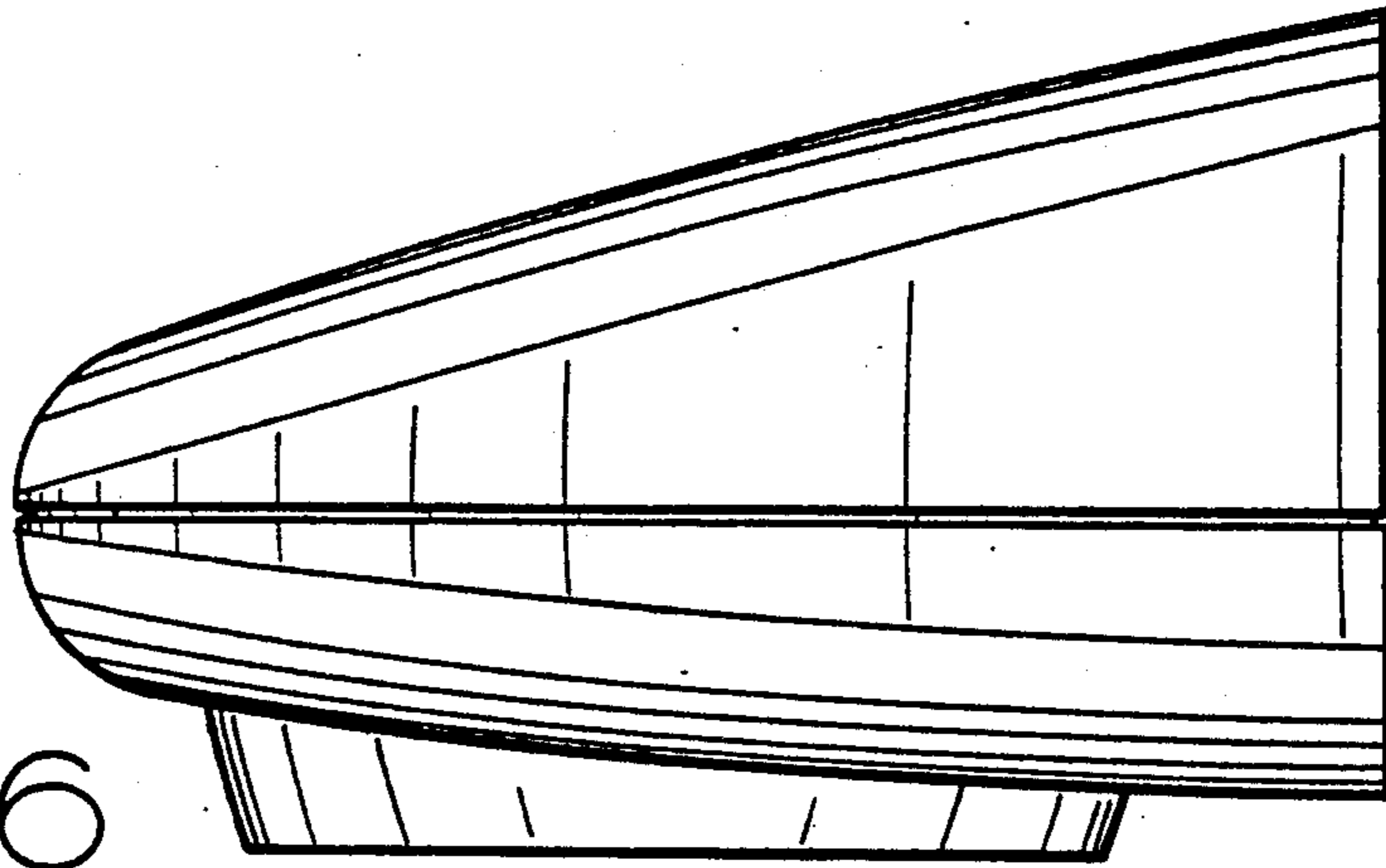


FIG. 6

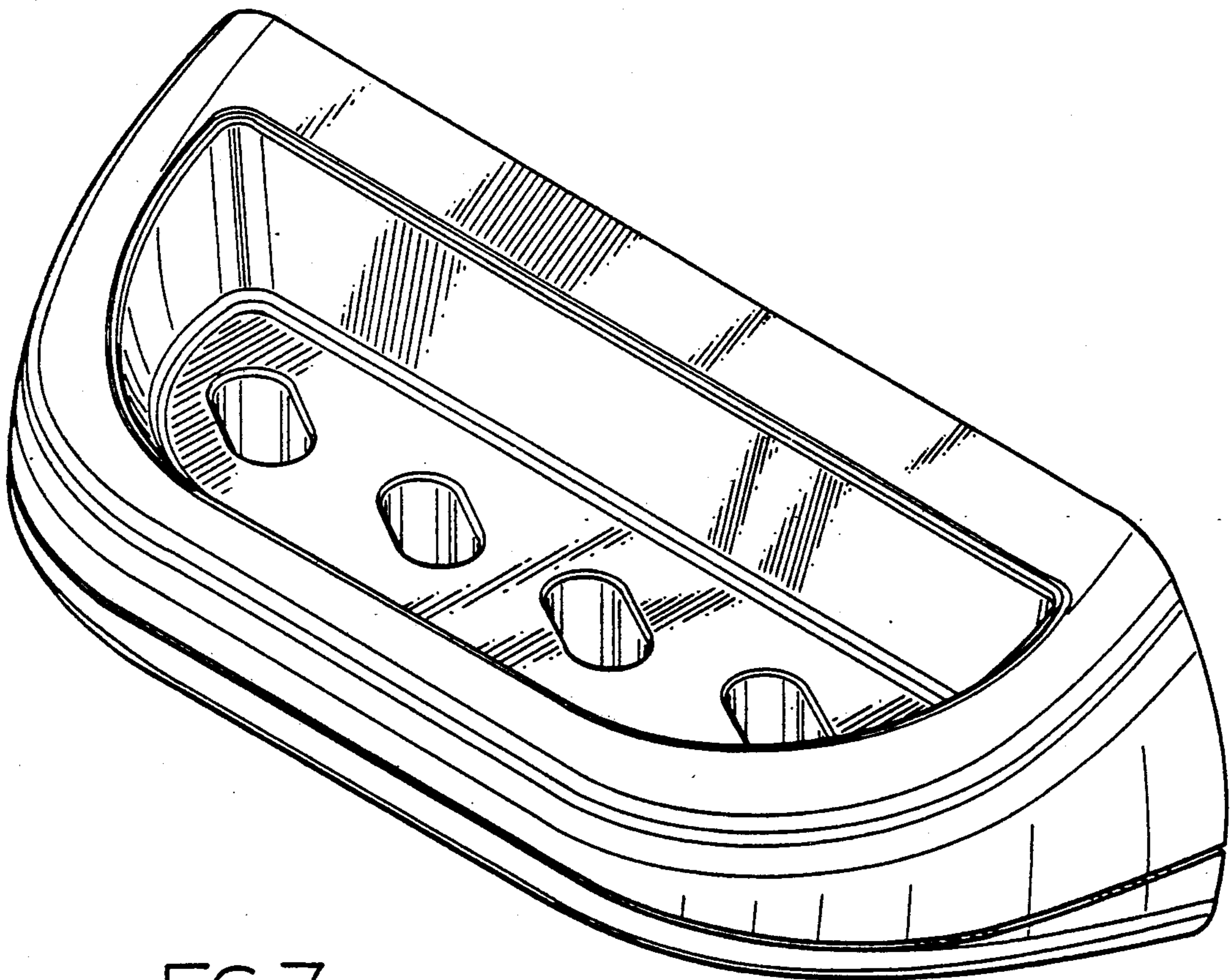


FIG. 7

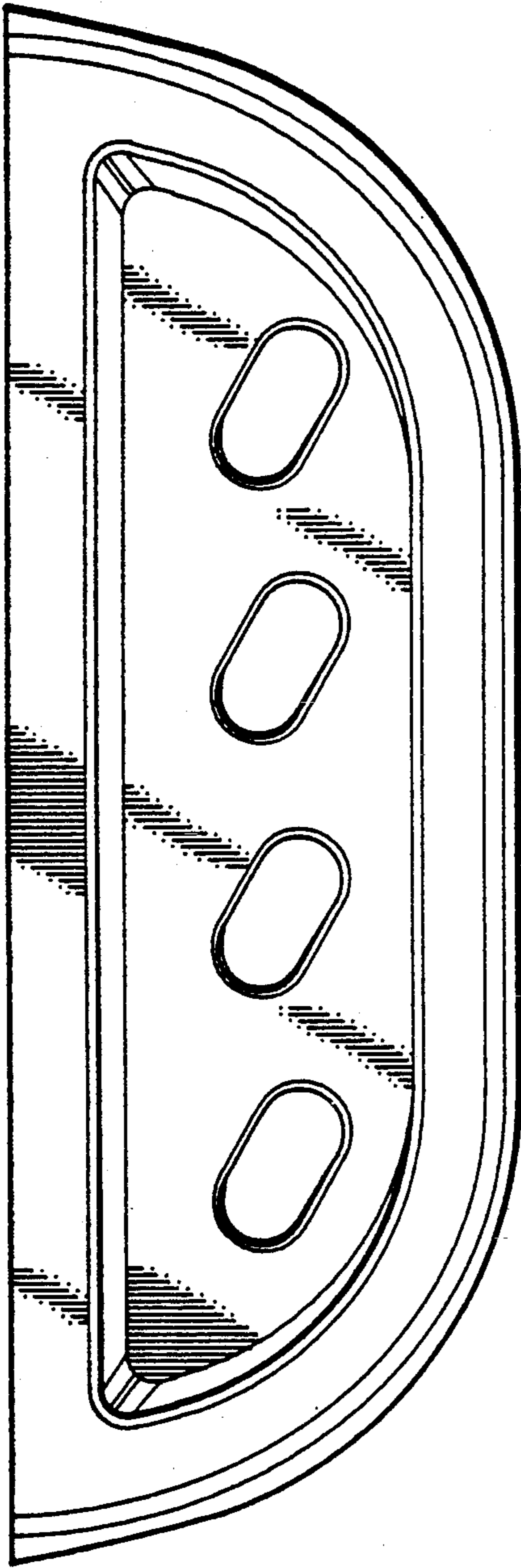


FIG. 8

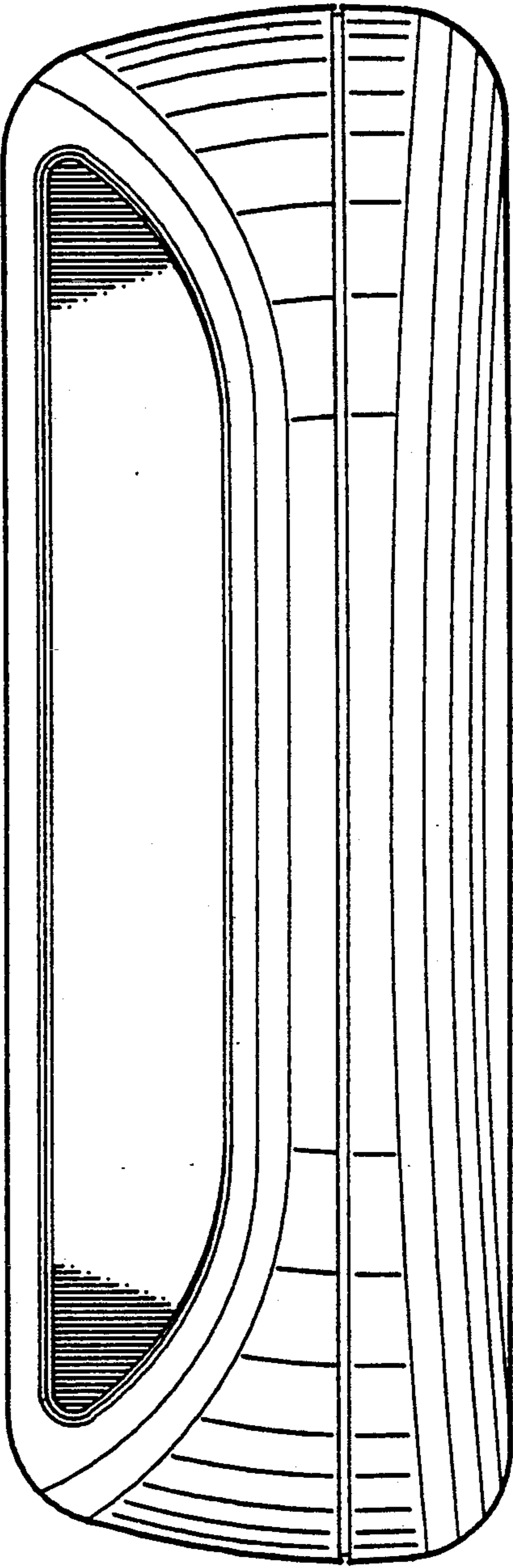


FIG. 9

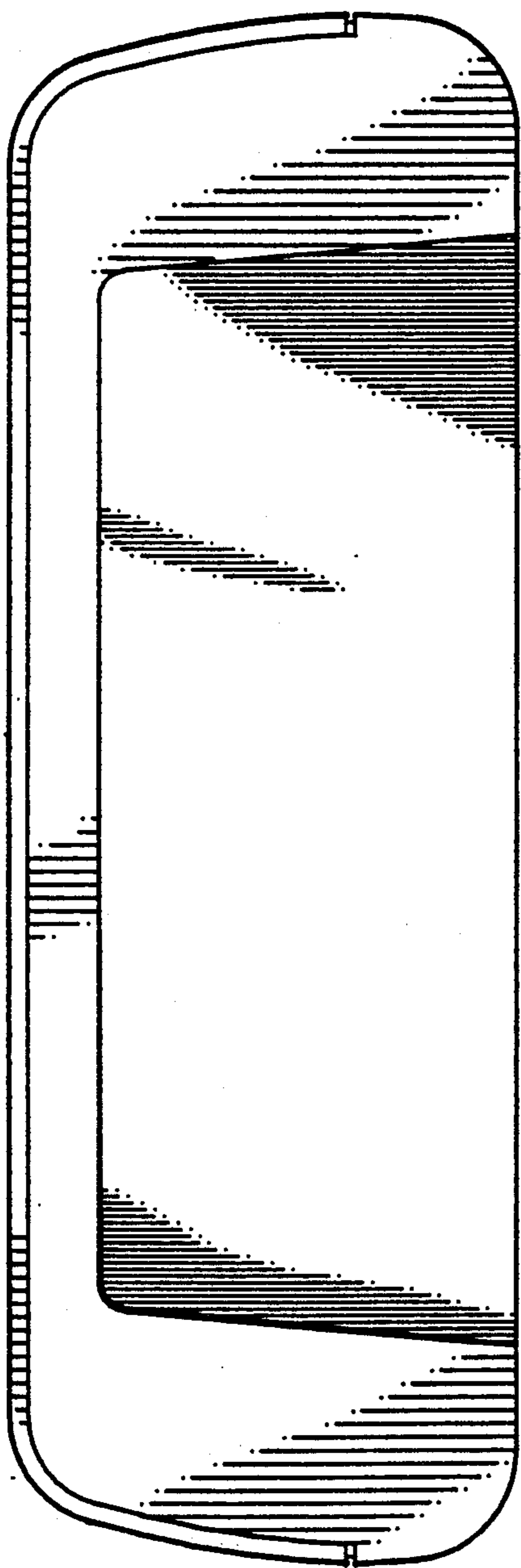


FIG. 10

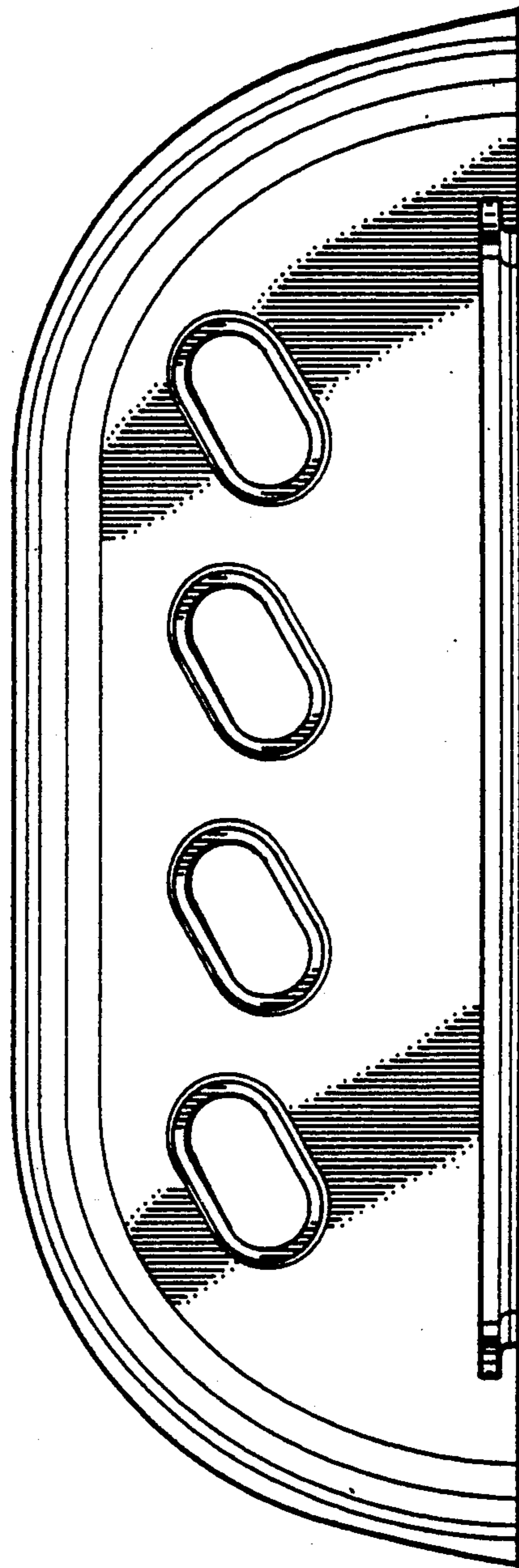


FIG. 11



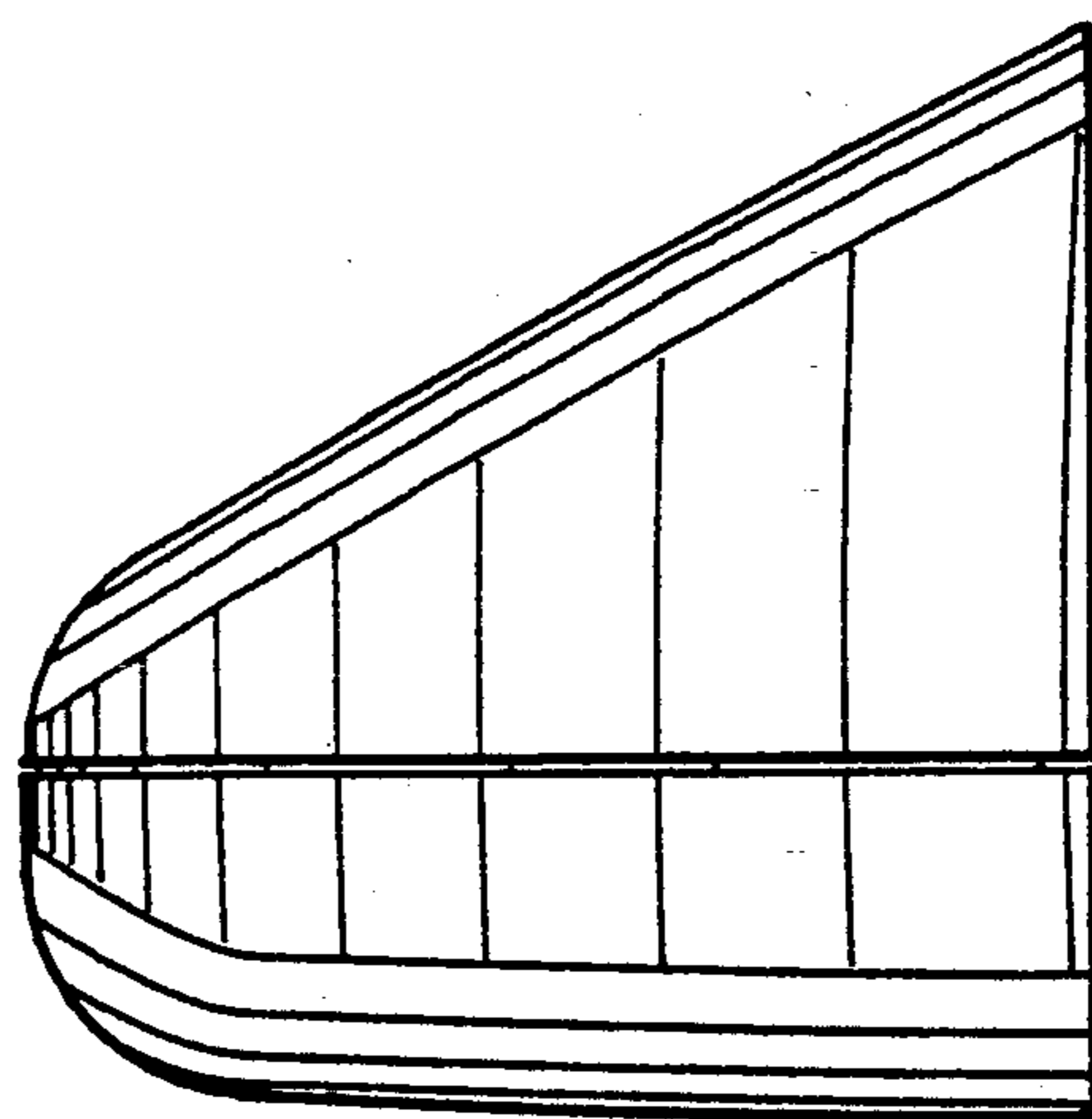


FIG. 12