



US00D333747S

United States Patent [19]

Uchyn

[11] Patent Number: **Des. 333,747**

[45] Date of Patent: **** Mar. 9, 1993**

[54] DISPLAY CASE

[76] Inventor: **Nicholas Uchyn, 33 Sparrowhawk, Irvine, Calif. 92714**

[**] Term: **14 Years**

[21] Appl. No.: **716,339**

[22] Filed: **Jun. 17, 1991**

[52] U.S. Cl. **D6/471**

[58] Field of Search **D6/449, 470-472, D6/475, 476, 432, 436, 441, 443; 312/114, 116, 117, 126, 140.1; 248/441.1**

[56] References Cited

U.S. PATENT DOCUMENTS

D. 101,402	9/1936	Rose	D6/471 X
D. 178,280	7/1956	Countryman	D6/475 X
D. 209,722	12/1967	Mangini	D6/471
D. 286,110	10/1986	Carvel	D6/471
D. 296,168	6/1988	Weaver	D6/475
4,073,460	2/1978	Dale	D6/441.1
4,607,895	8/1986	Hesterberg et al.	D6/471 X

OTHER PUBLICATIONS

Hirsh Display Fixtures, rec'd May 7, 1980, slant front showcase.

Primary Examiner—Alan P. Douglas
Assistant Examiner—Jeffrey Asch
Attorney, Agent, or Firm—James E. Brunton

[57] CLAIM

The ornamental design for a display case, as shown and described.

DESCRIPTION

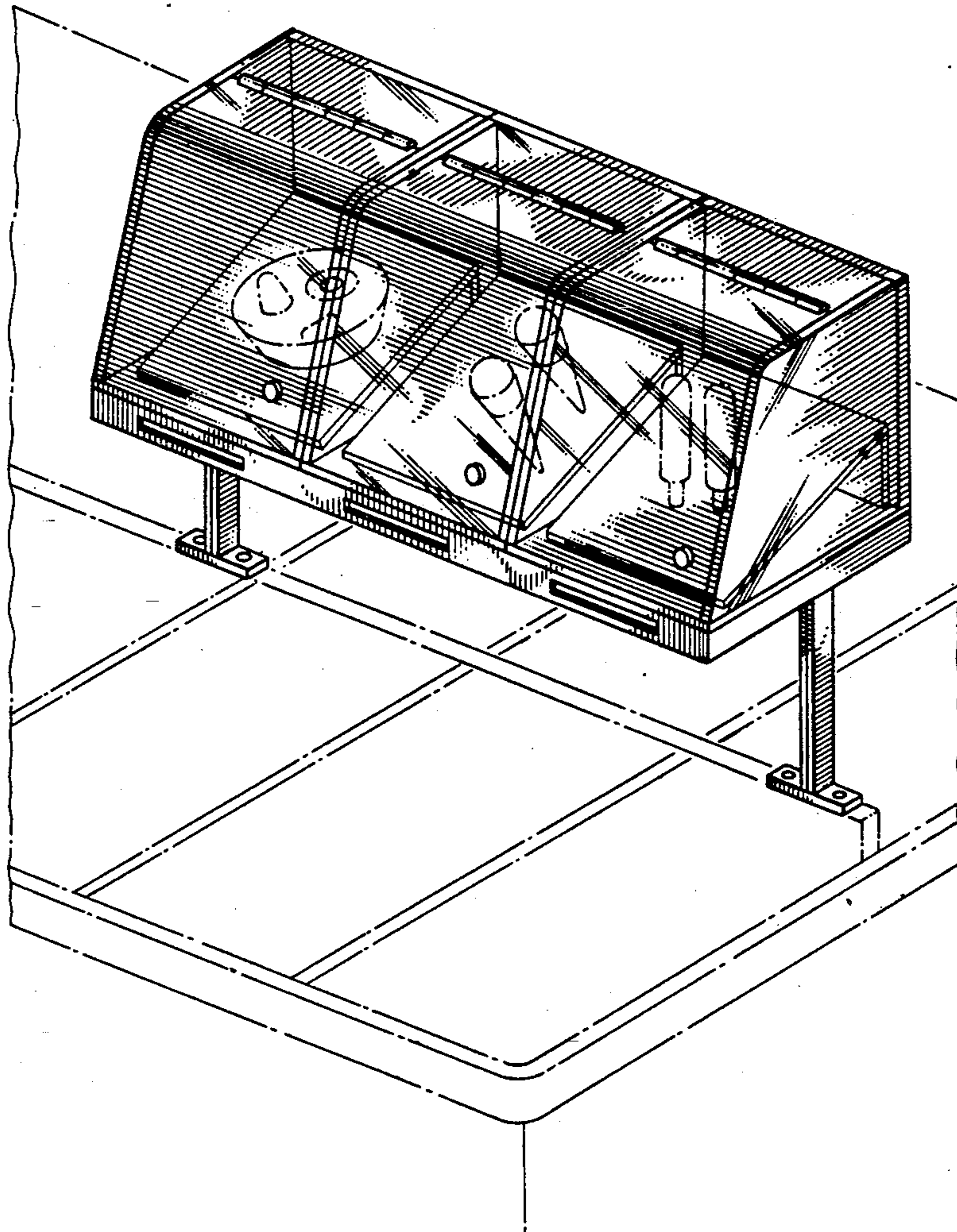
FIG. 1 is a perspective view of a display case showing my new design, the broken line showing of a freezer bin below and food articles within being for illustrative purposes only;

FIG. 2 is a front elevational view thereof;

FIG. 3 is a right side elevational view, the left side being a mirror image thereof;

FIG. 4 is a top plan view thereof; and,

FIG. 5 is a rear elevational view thereof.



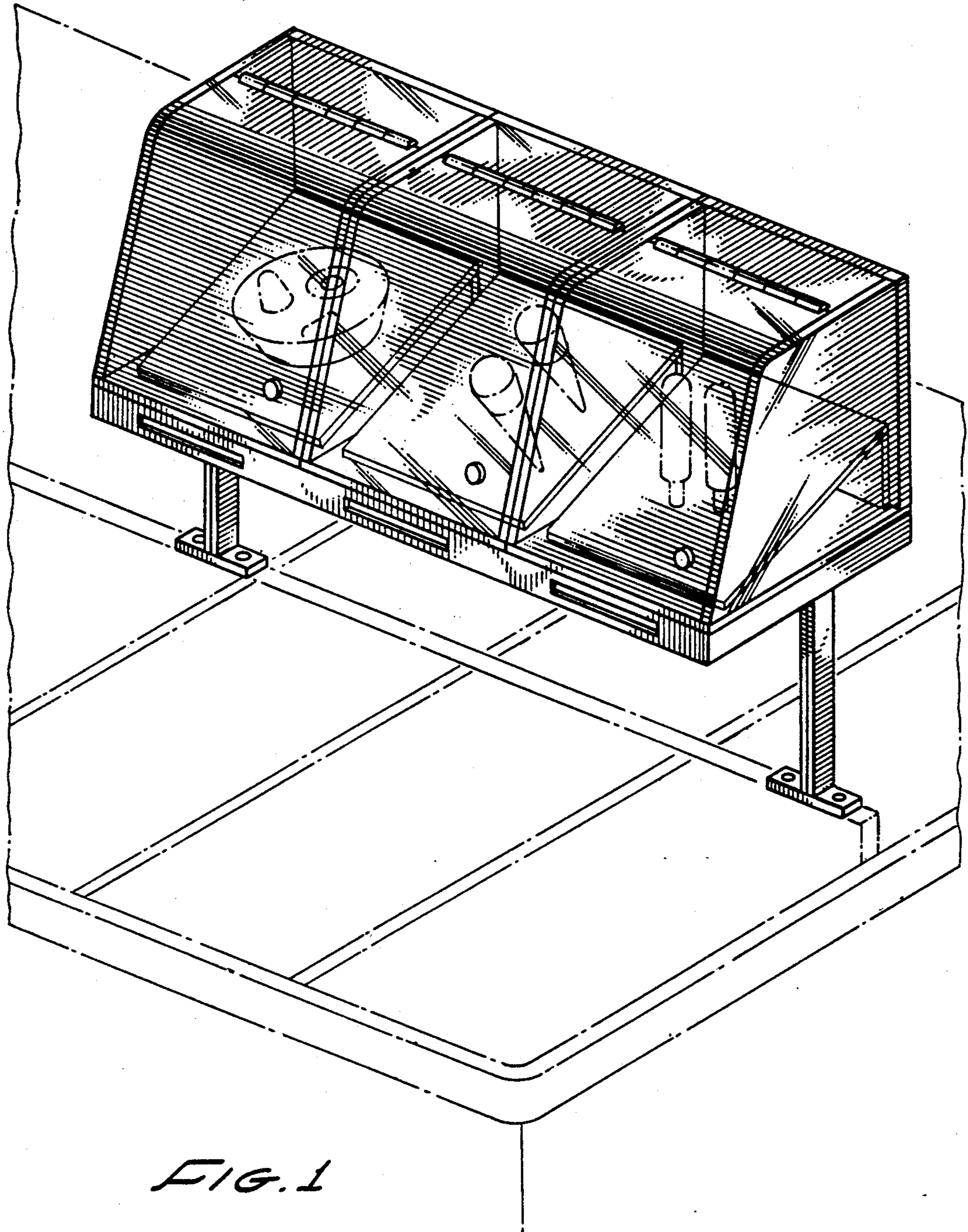


FIG. 1

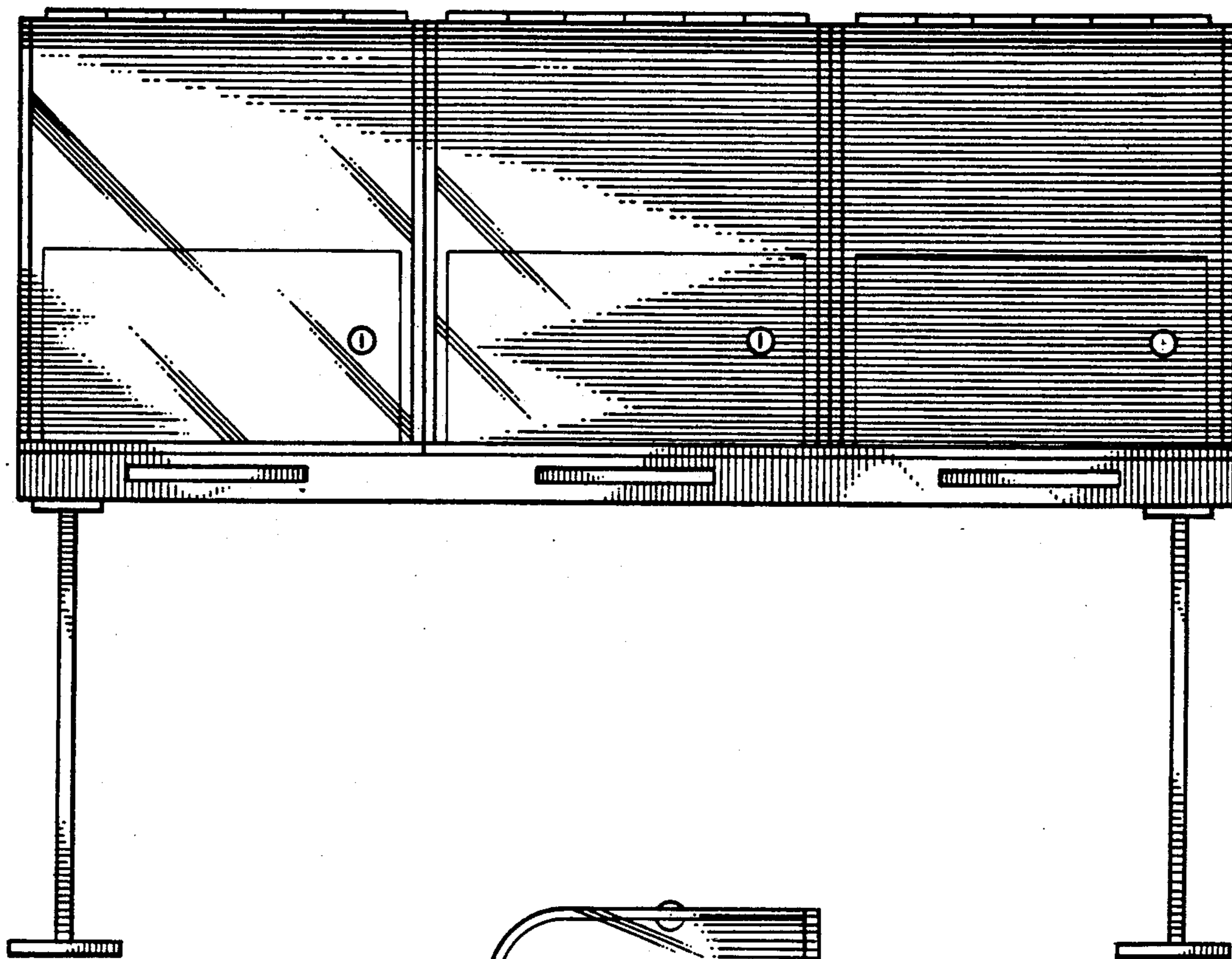


FIG. 2

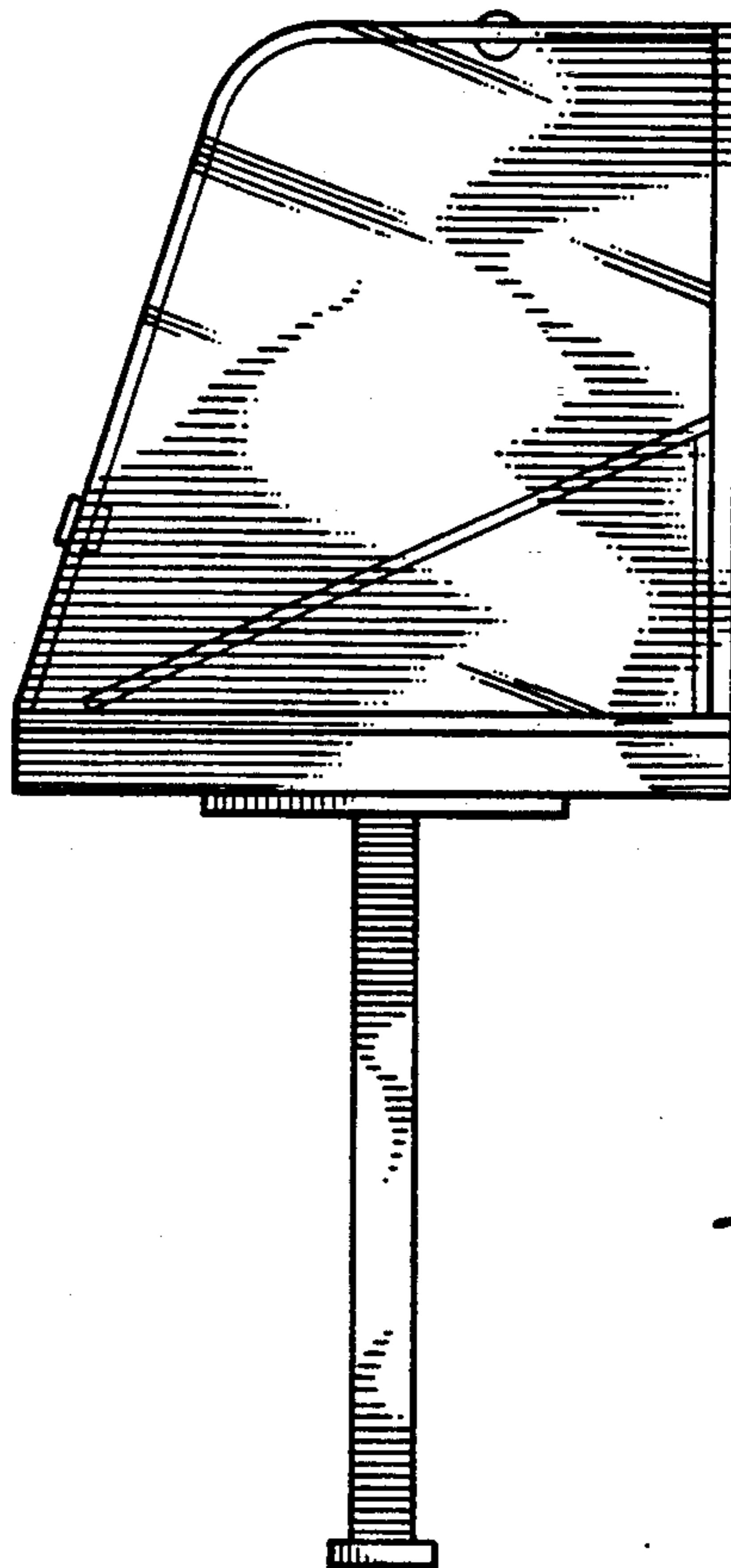


FIG. 3

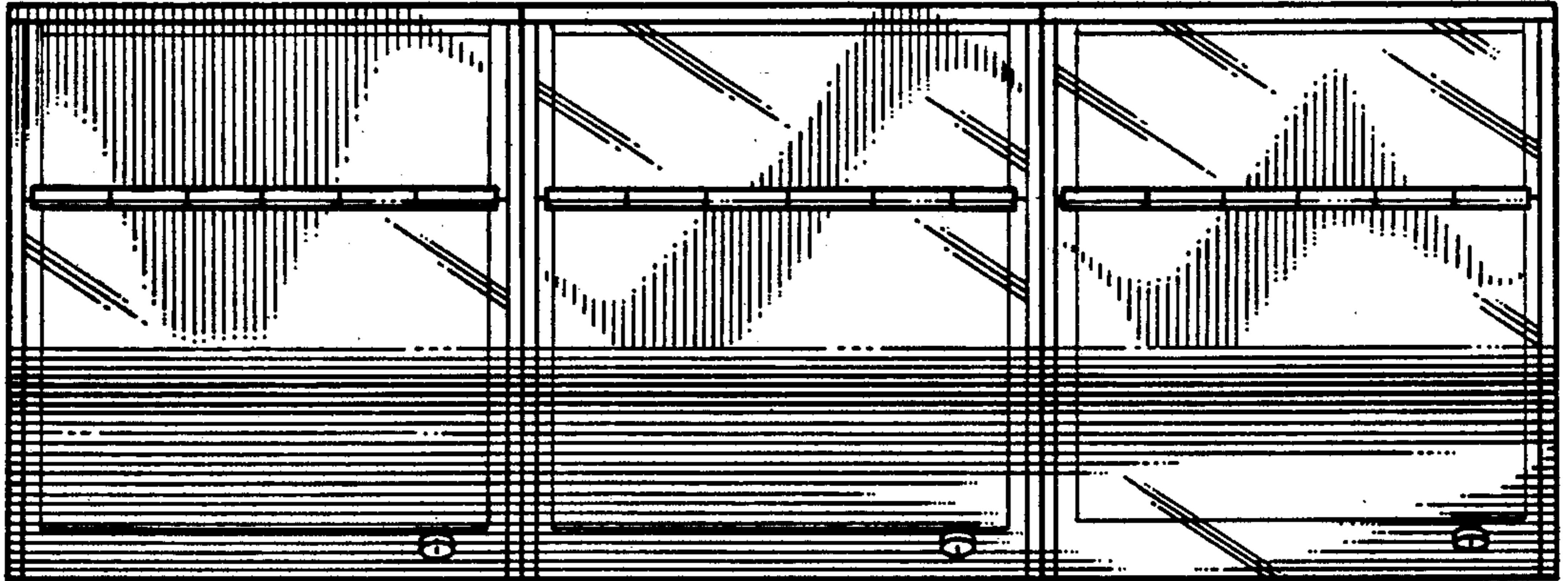


FIG. 4

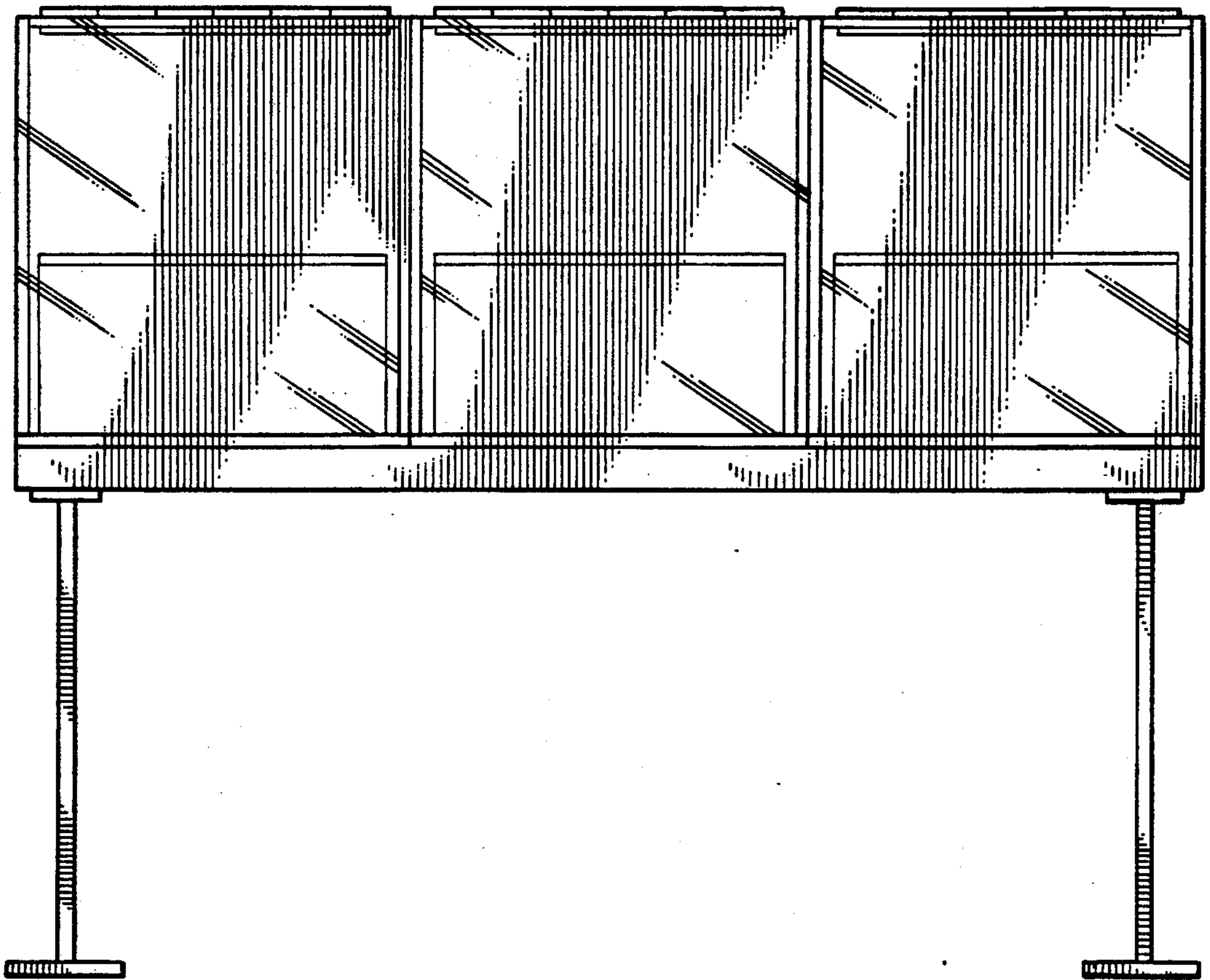


FIG. 5