



US00D333746S

United States Patent [19]

[11] Patent Number: **Des. 333,746**

Wilhite

[45] Date of Patent: **** Mar. 9, 1993**

- [54] **MAGAZINE/NEWSPAPER RACK**
- [75] Inventor: **Gerald D. Wilhite, Duncanville, Tex.**
- [73] Assignee: **Jokari/US, Inc., Dallas, Tex.**
- [**] Term: **14 Years**
- [21] Appl. No.: **819,502**
- [22] Filed: **Jan. 10, 1992**
- [52] U.S. Cl. **D6/462; D6/368; D6/429**
- [58] Field of Search **D6/500-502, D6/368, 449, 429-431, 462-469, 509-511, 569-572, 567; D25/62; 211/50, 49.1, 13; 100/34; 280/30**

[56] **References Cited**
U.S. PATENT DOCUMENTS

D. 77,663	2/1929	Aldrich	D6/368
D. 270,951	10/1983	Cryar	D25/62
D. 314,871	2/1991	Goetz	D6/368
1,576,420	3/1926	Folts	D6/510 X
2,302,919	11/1942	Snider	D6/429 X
4,013,256	3/1977	Hill	211/49.1 X
4,749,209	6/1988	Edmonds	280/30 X
4,824,171	4/1989	Hollingsworth	D6/368 X
5,083,663	1/1992	Conway et al.	211/50 X

Primary Examiner—Alan P. Douglas

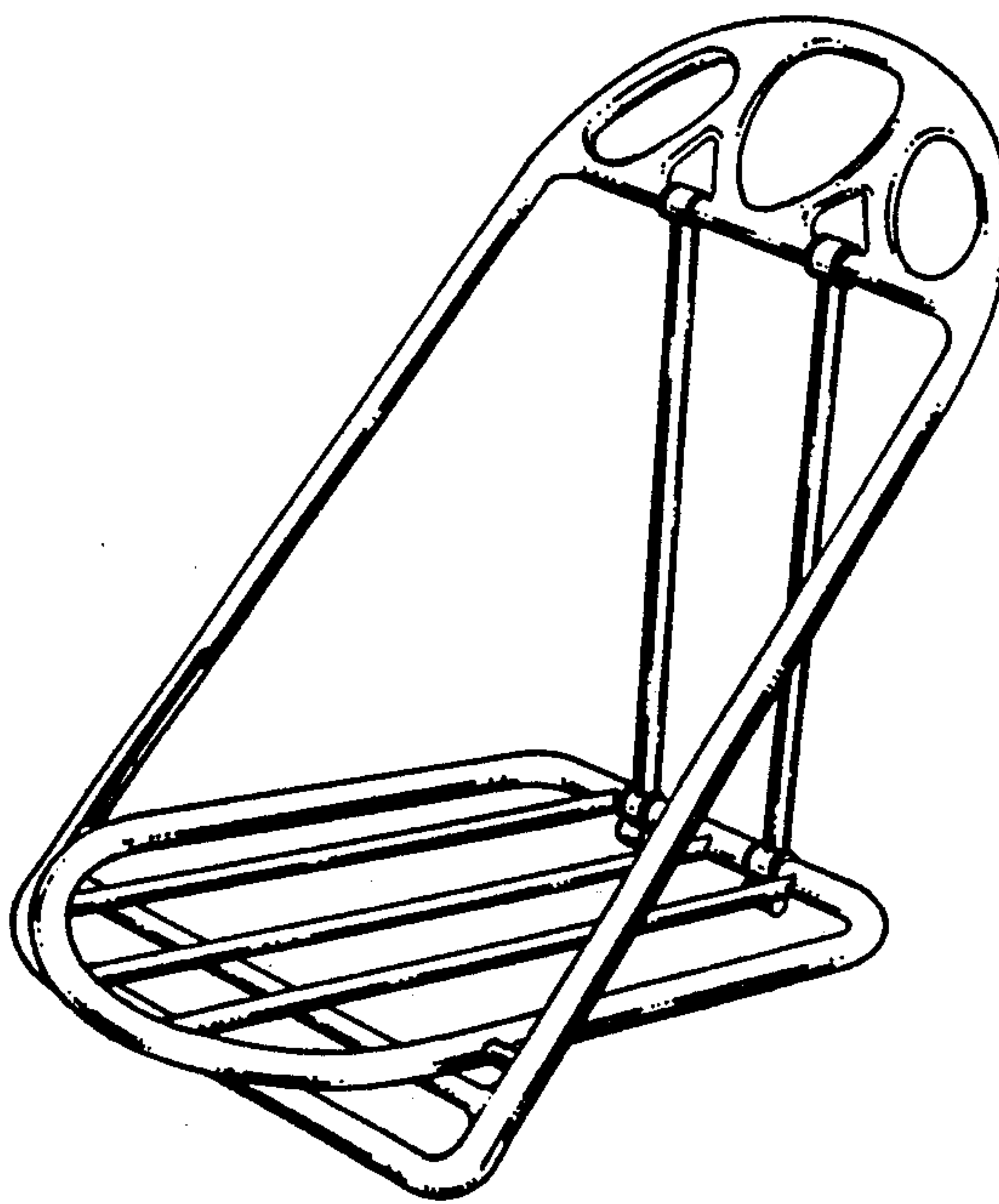
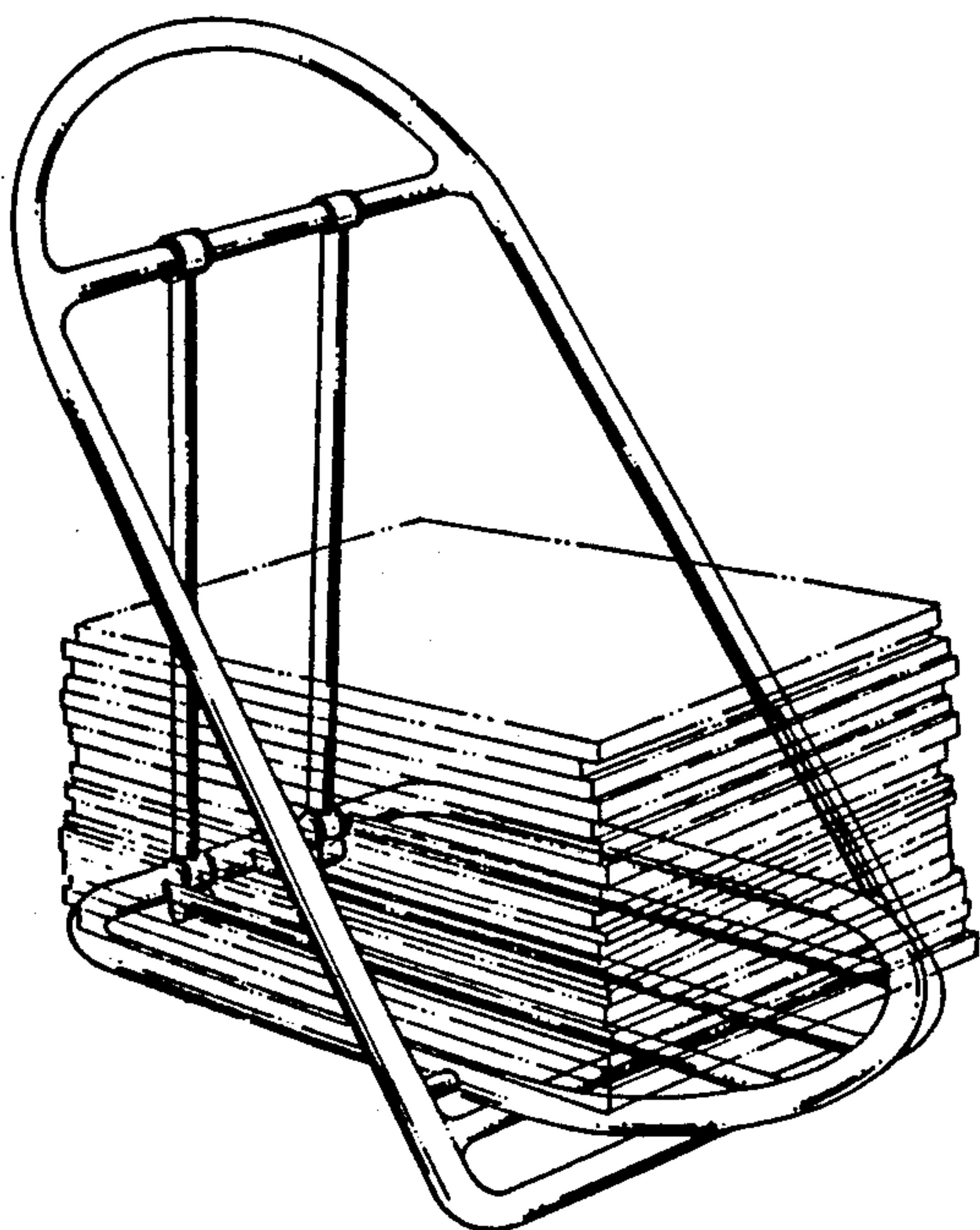
Assistant Examiner—Jeffrey Asch
Attorney, Agent, or Firm—Dennis T. Griggs

[57] **CLAIM**

The ornamental design for a magazine/newspaper rack, as shown and described.

DESCRIPTION

FIG. 1 is a perspective view of a magazine/newspaper rack which illustrates my new design;
 FIG. 2 is a front elevational view thereof;
 FIG. 3 is a right side elevational view thereof, the left side elevational view being a mirror image thereof;
 FIG. 4 is a top plan view thereof;
 FIG. 5 is a bottom plan view thereof;
 FIG. 6 is a rear elevational view thereof;
 FIG. 7 is a front perspective view thereof in the position of use with newspapers and magazines being shown in broken lines for illustrative purposes;
 FIG. 8 is a front perspective view of a magazine/newspaper rack which illustrates a first alternative embodiment of my new design;
 FIG. 9 is a front elevational view thereof;
 FIG. 10 is a top plan view thereof;
 FIG. 11 is a bottom plan view thereof; and,
 FIG. 12 is a rear elevational view thereof.
 The right side elevational view thereof is identical to the view shown in FIG. 3, and the left side elevational view is a mirror image thereof.



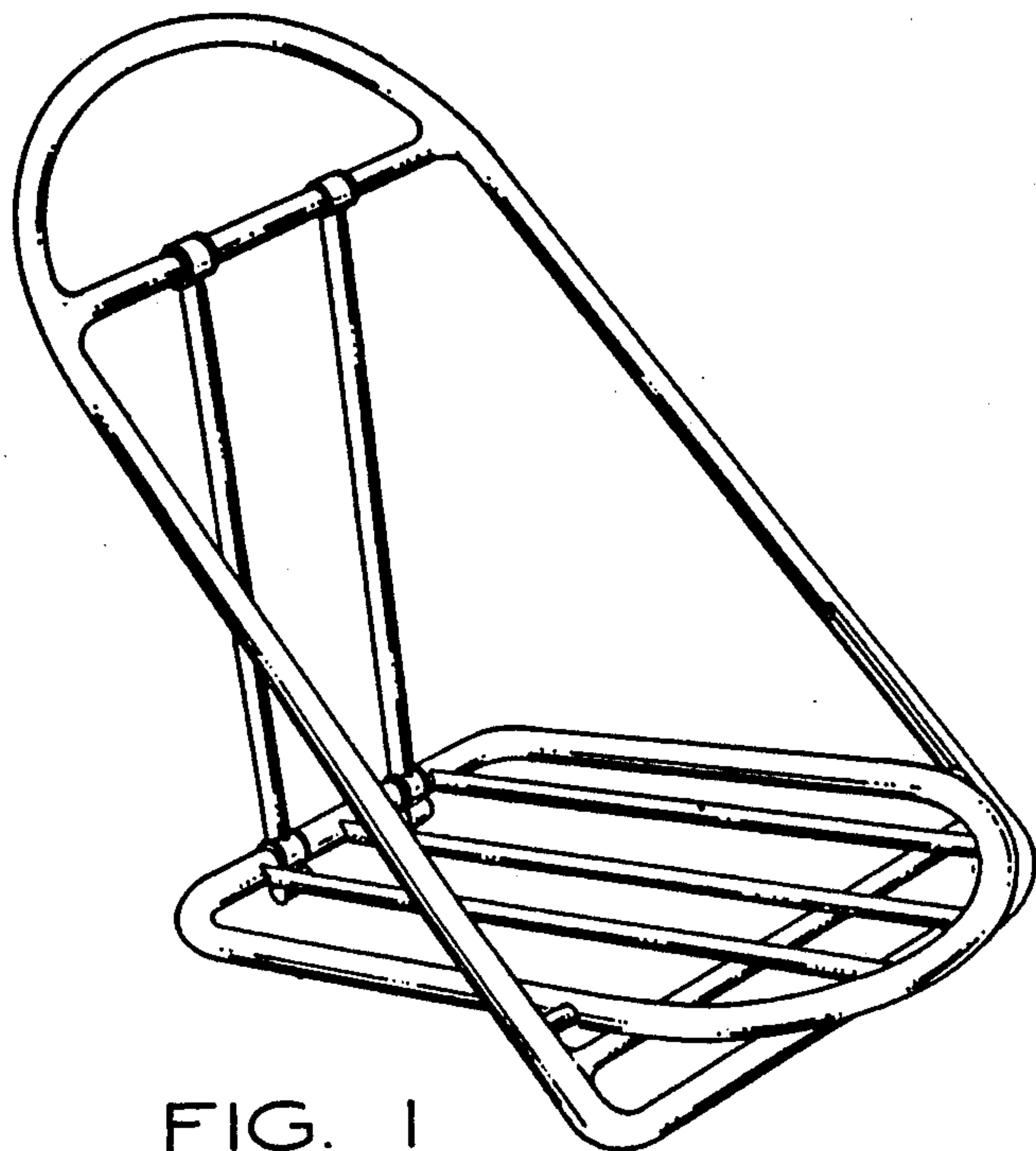


FIG. 1

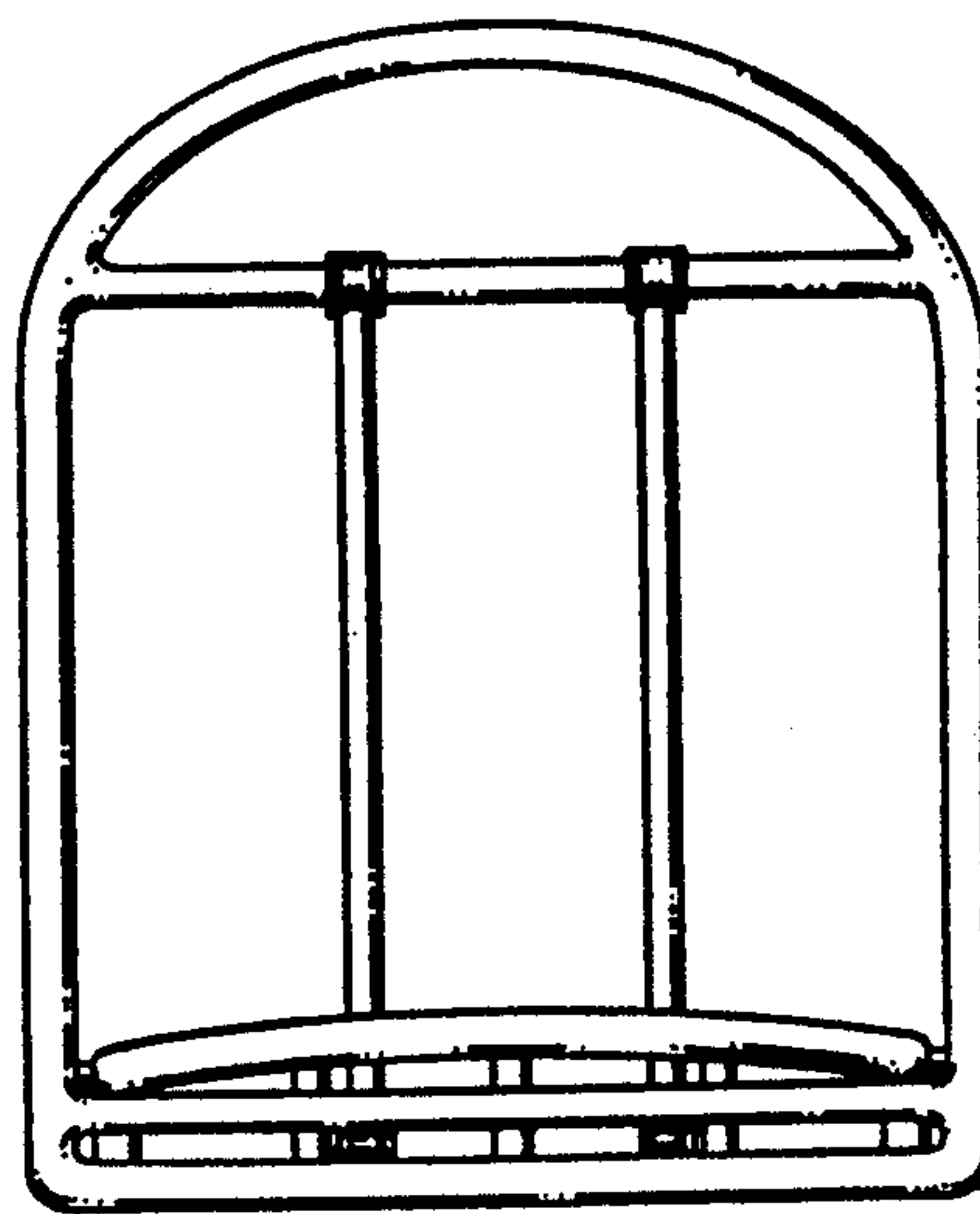


FIG. 2

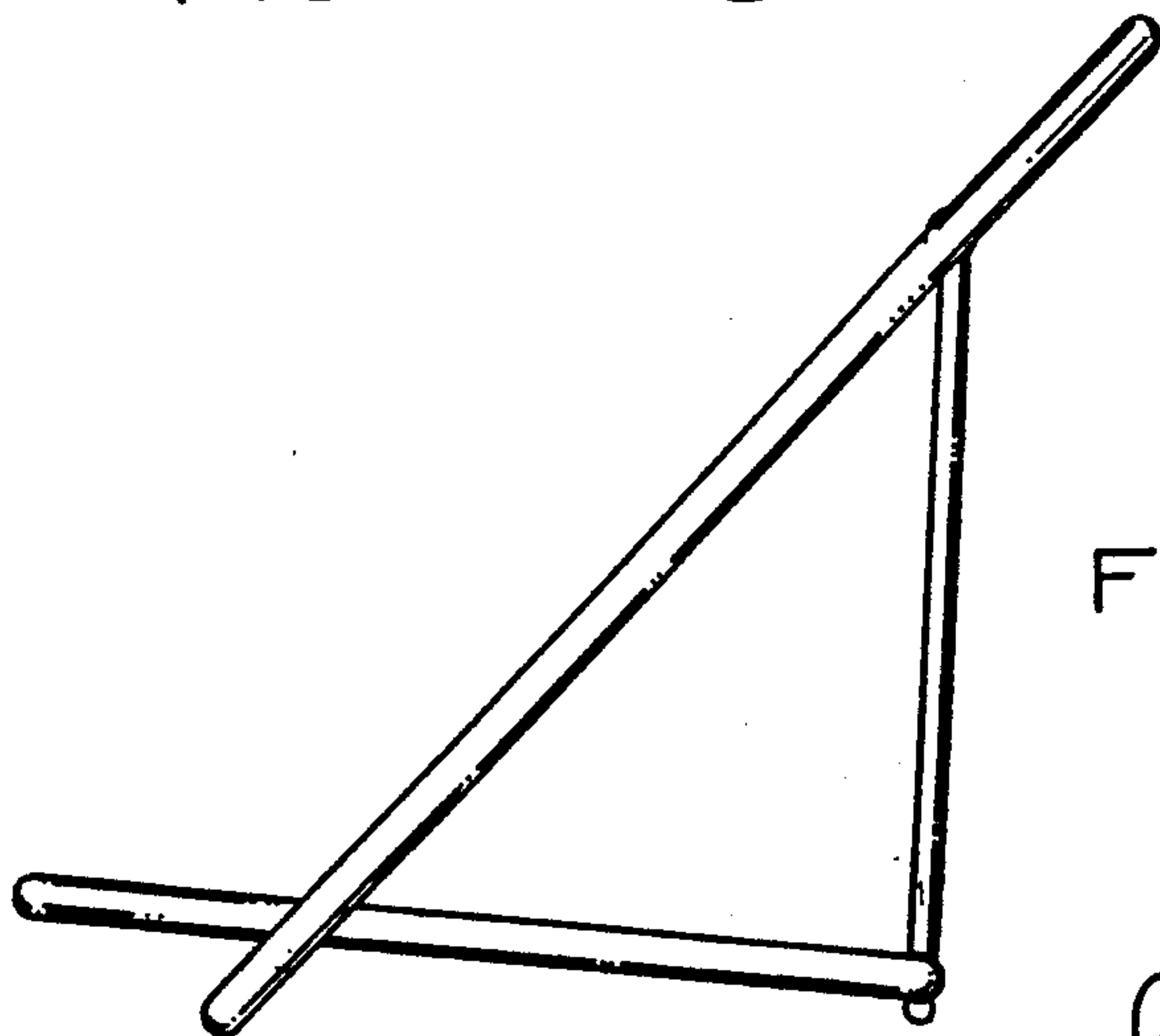


FIG. 3

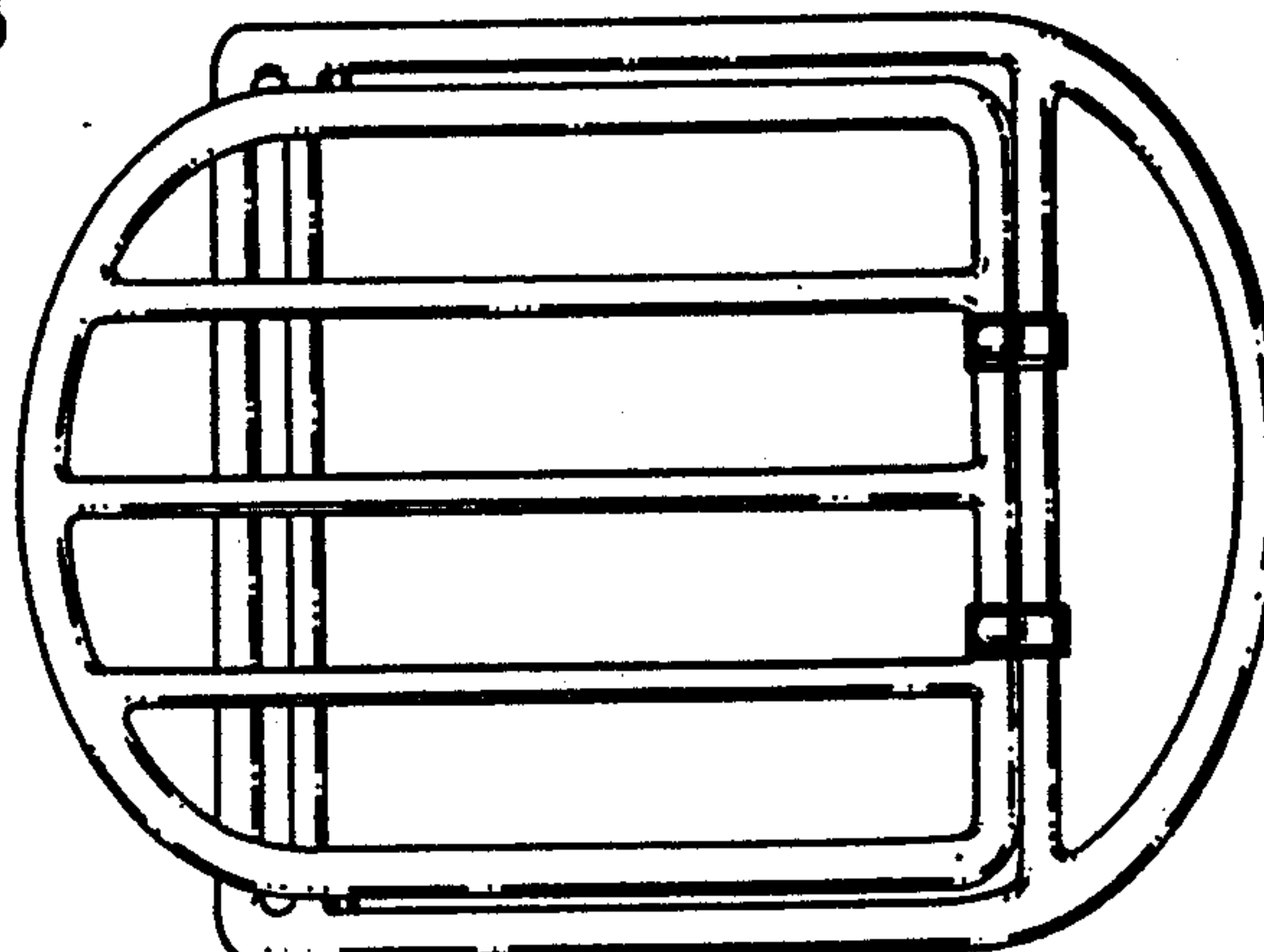


FIG. 4

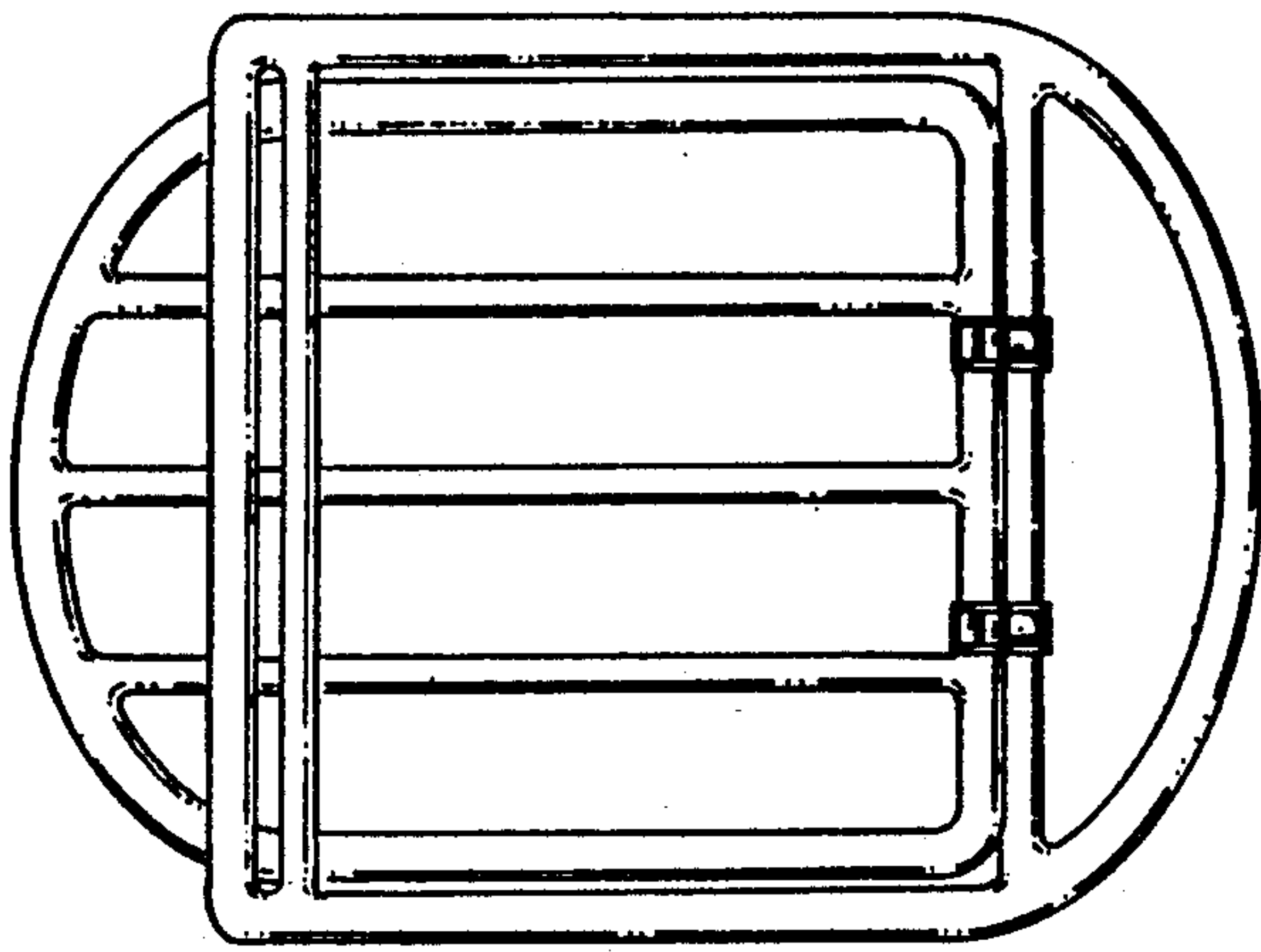


FIG. 5

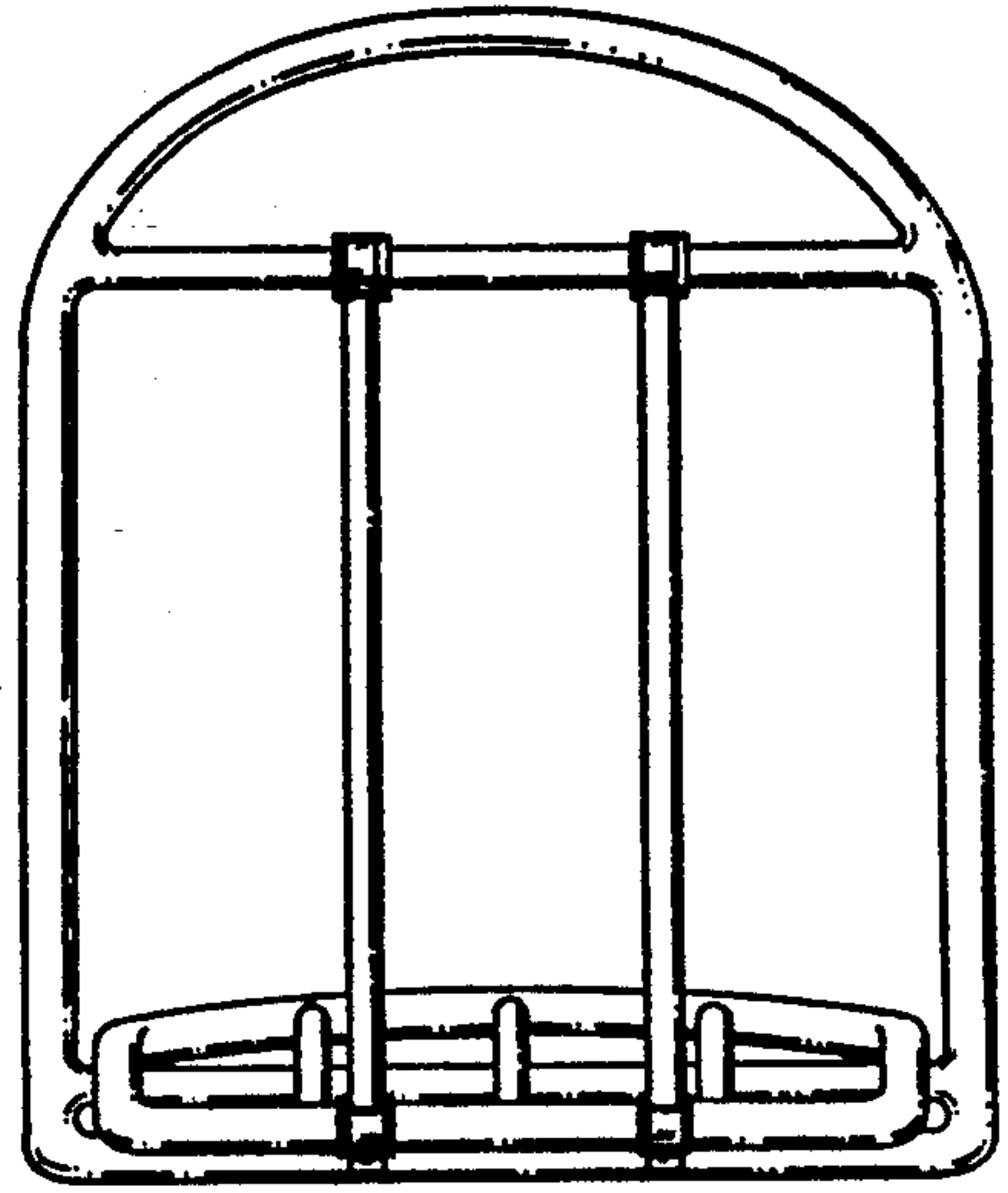


FIG. 6

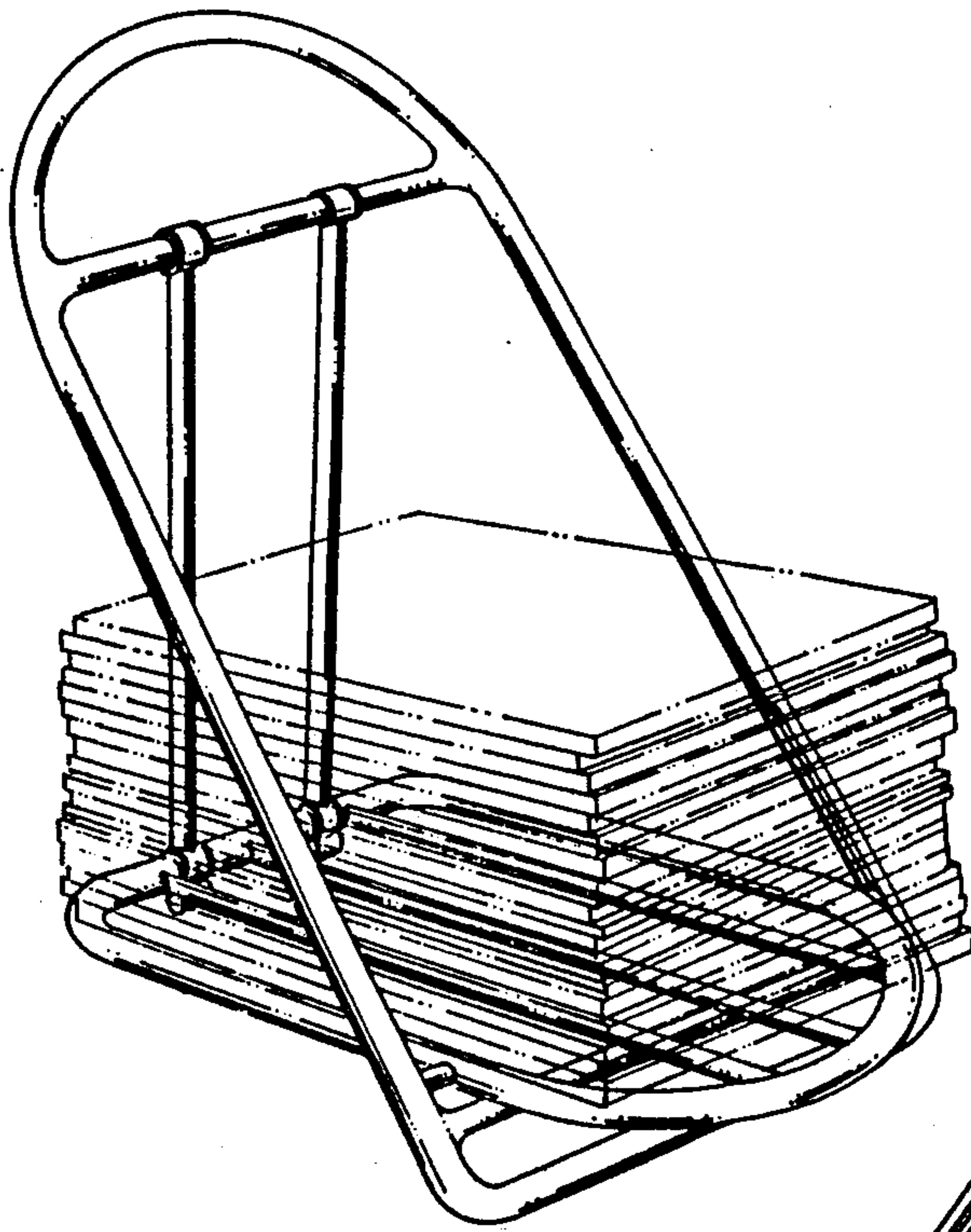


FIG. 7

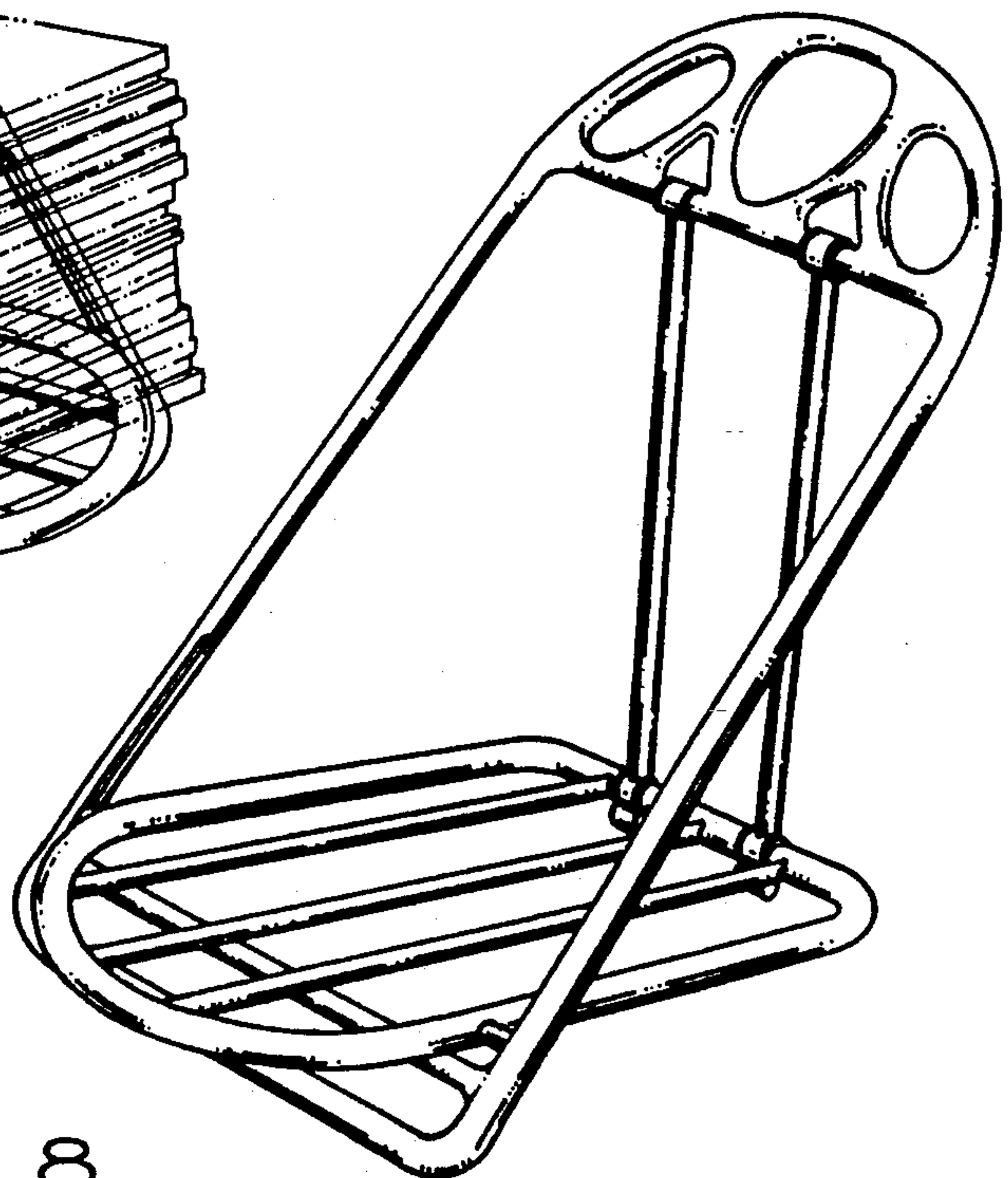


FIG. 8

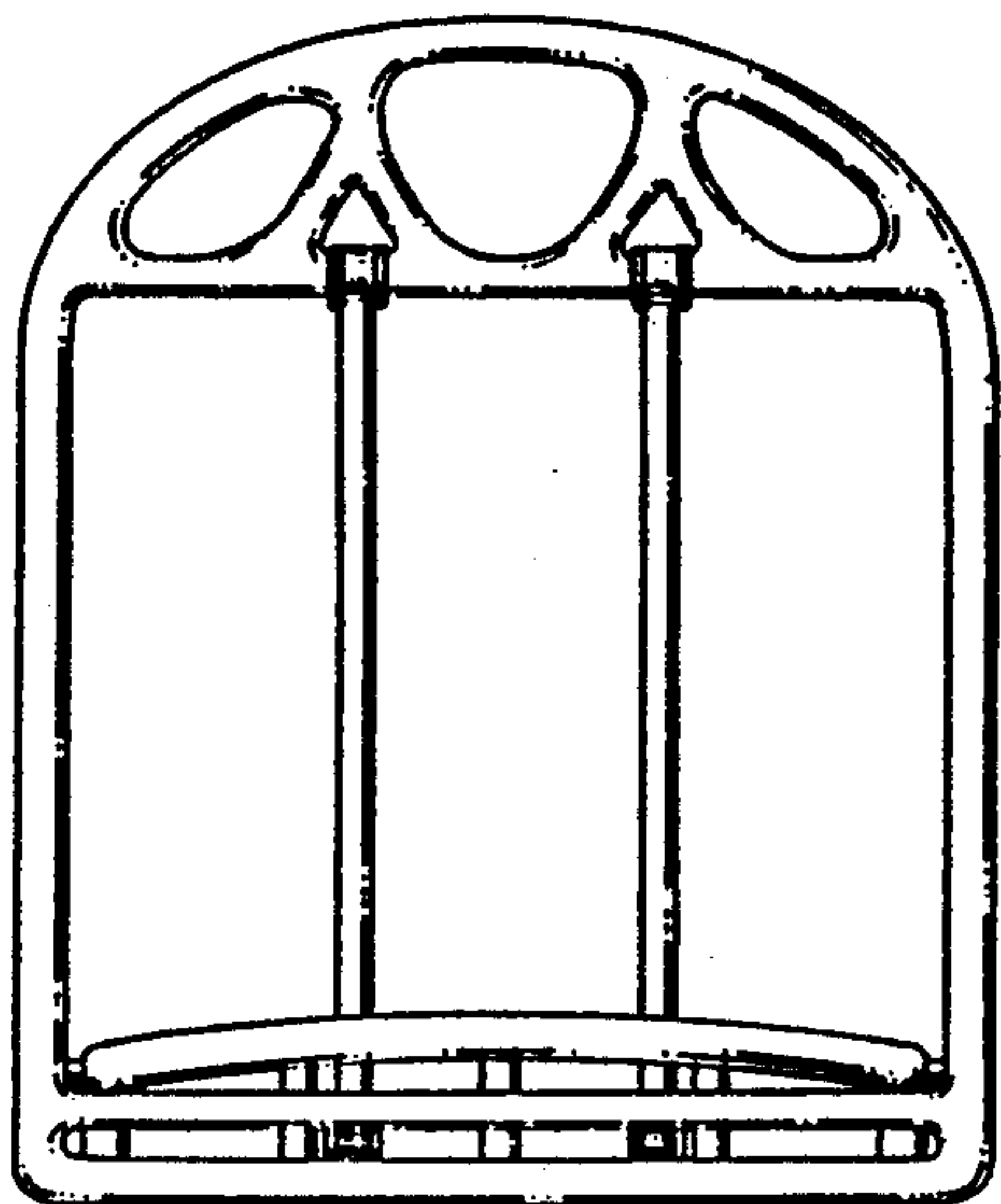


FIG. 9

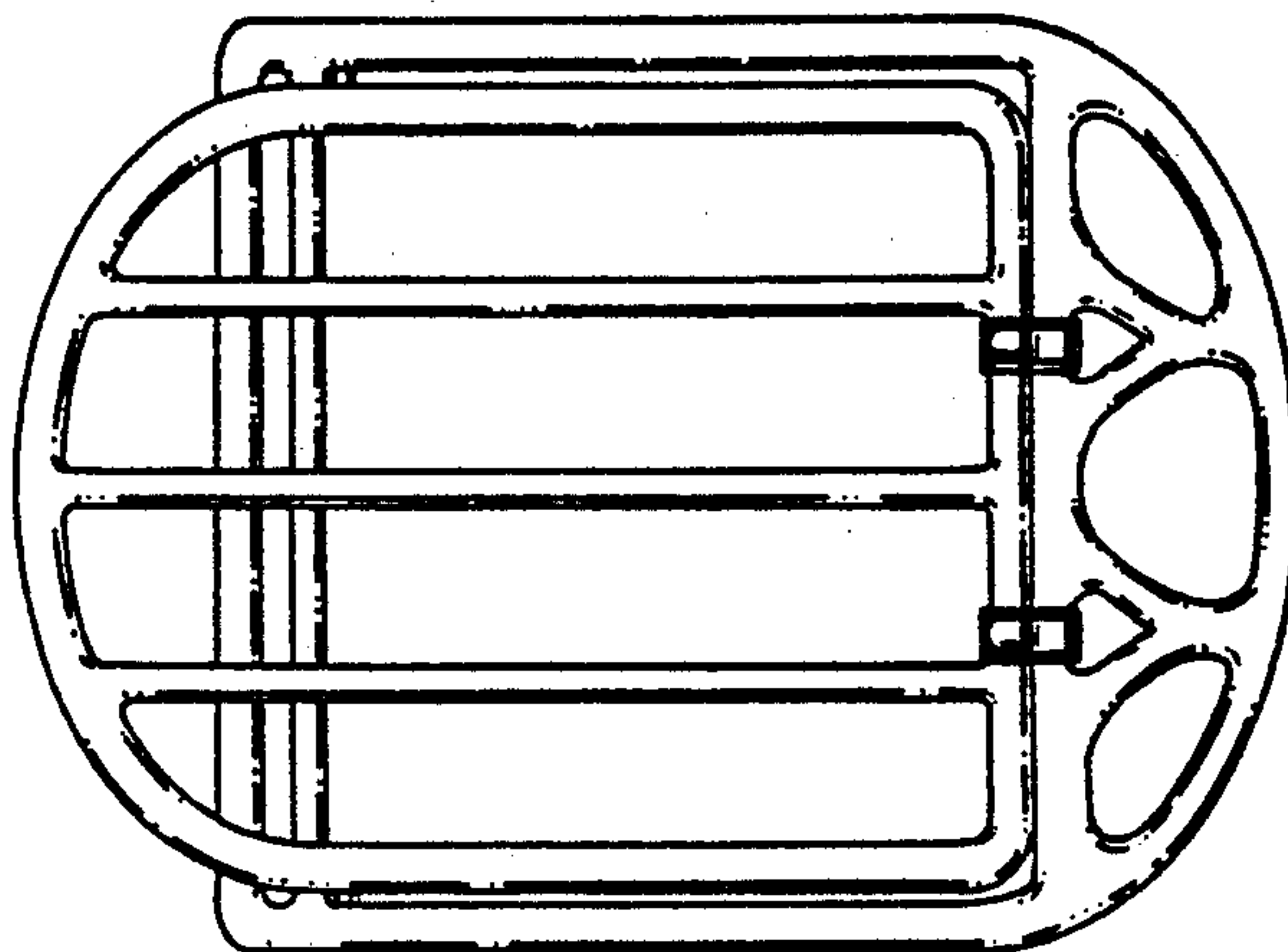


FIG. 10

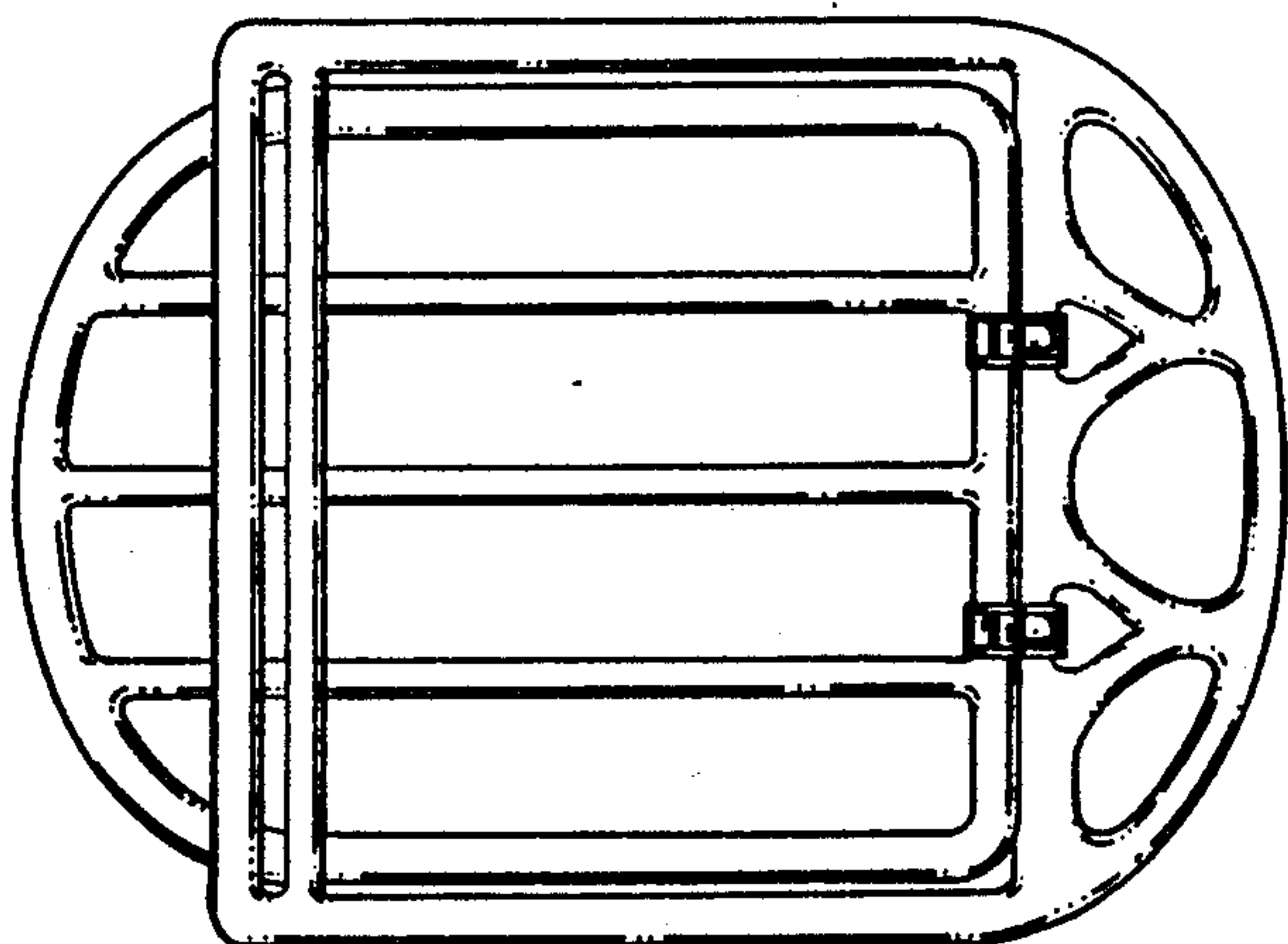


FIG. 11

FIG. 12

