



US00D333744S

United States Patent [19]
Zimmerman

[11] **Patent Number: Des. 333,744**
[45] **Date of Patent: ** Mar. 9, 1993**

- [54] **ROTATABLE TRAY**
- [75] **Inventor: Larry G. Zimmerman, North Smithfield, R.I.**
- [73] **Assignee: Dart Industries Inc., Deerfield, Ill.**
- [**] **Term: 14 Years**
- [21] **Appl. No.: 516,877**
- [22] **Filed: Apr. 30, 1990**
- [52] **U.S. Cl. D6/457; D6/461; D7/558; D7/616**
- [58] **Field of Search D6/499-469; D7/550, 553, 554, 558, 590, 616; 211/13, 74, 205**

- D. 271,655 12/1983 Numbers D7/616
- D. 272,212 1/1984 Daenen et al. D7/558 X
- D. 284,149 6/1986 Rose D6/467
- D. 312,556 12/1990 Ancona et al. D7/616
- 3,295,671 1/1967 Wuensch et al. 211/74
- 4,345,526 8/1982 Streit 211/205

Primary Examiner—Carmen H. Vales-Lado
Attorney, Agent, or Firm—John A. Doninger

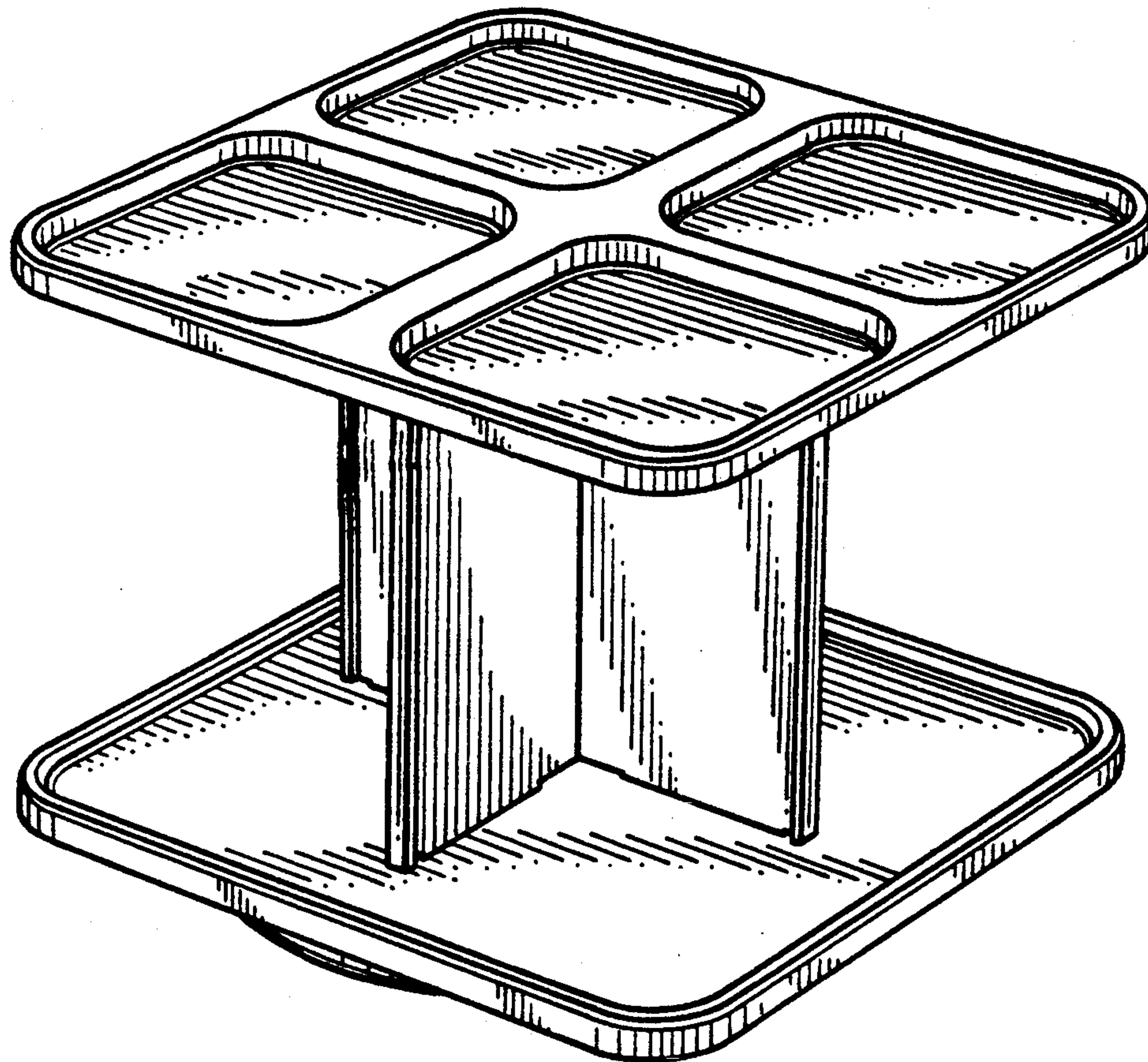
[57] **CLAIM**

The ornamental design for a rotatable tray, as shown and described.

DESCRIPTION

FIG. 1 is a top perspective view of the rotatable tray showing my new design;
FIG. 2 is a top plan view thereof;
FIG. 3 is a bottom plan view thereof;
FIG. 4 is a side elevational view, the other sides being identical thereto; and,
FIG. 5 is a cross-sectional view taken along line 5—5 of FIG. 2.

- [56] **References Cited**
- U.S. PATENT DOCUMENTS**
- D. 200,117 1/1965 Kolarik D7/590
- D. 214,848 8/1969 Avedon D7/616
- D. 224,435 7/1972 Stravitz D7/616



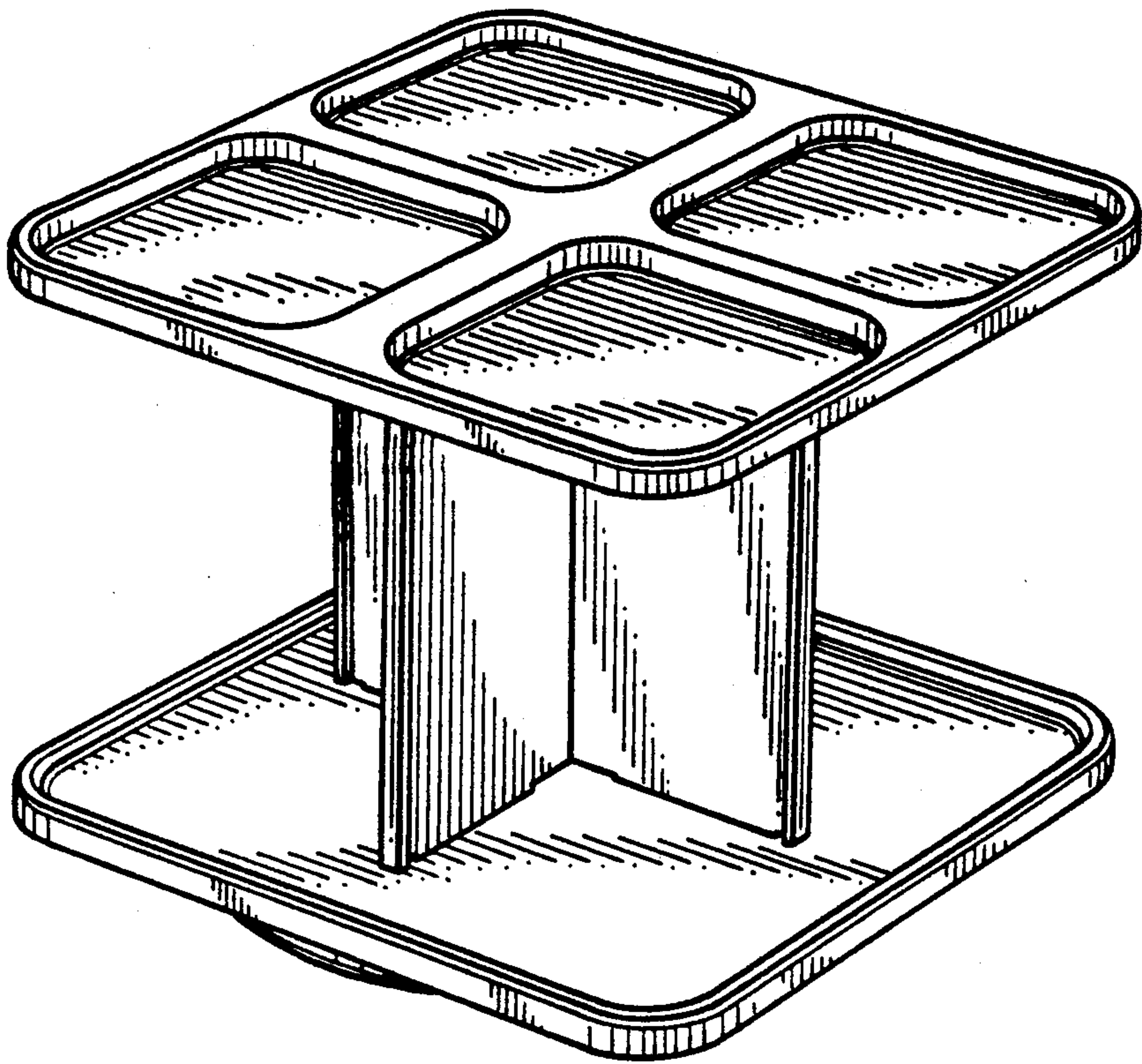


FIG. 1

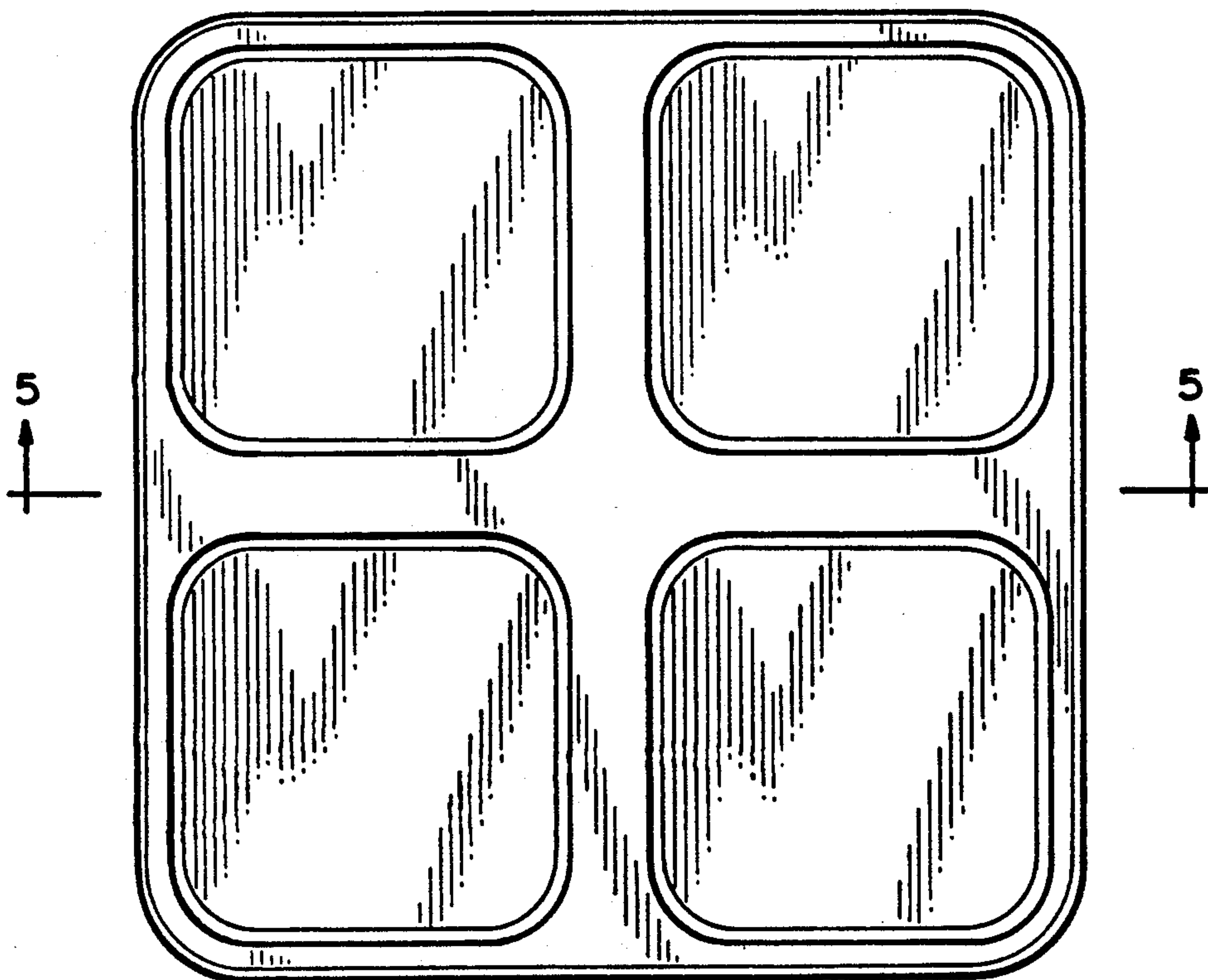


FIG. 2

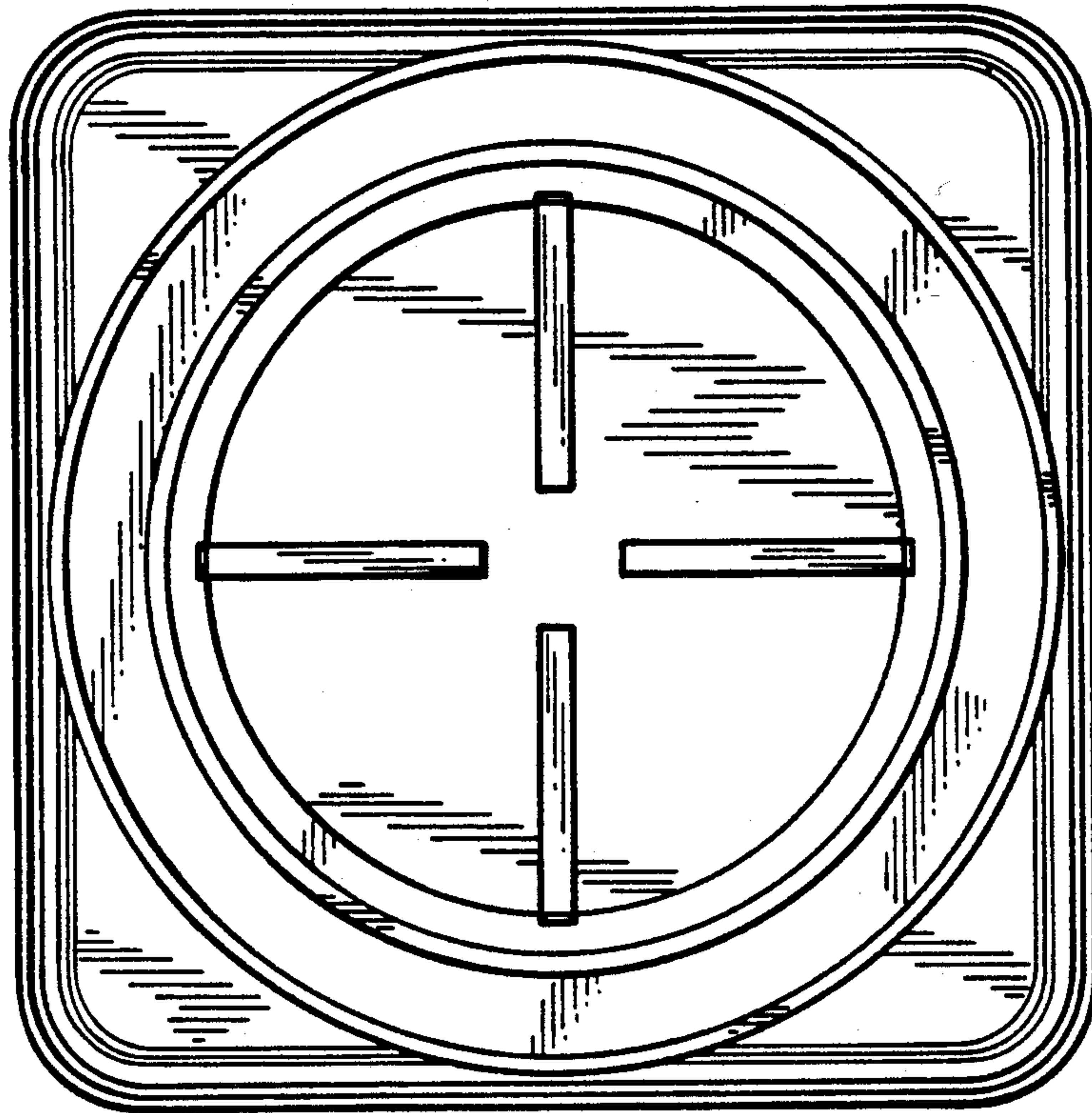


FIG. 3

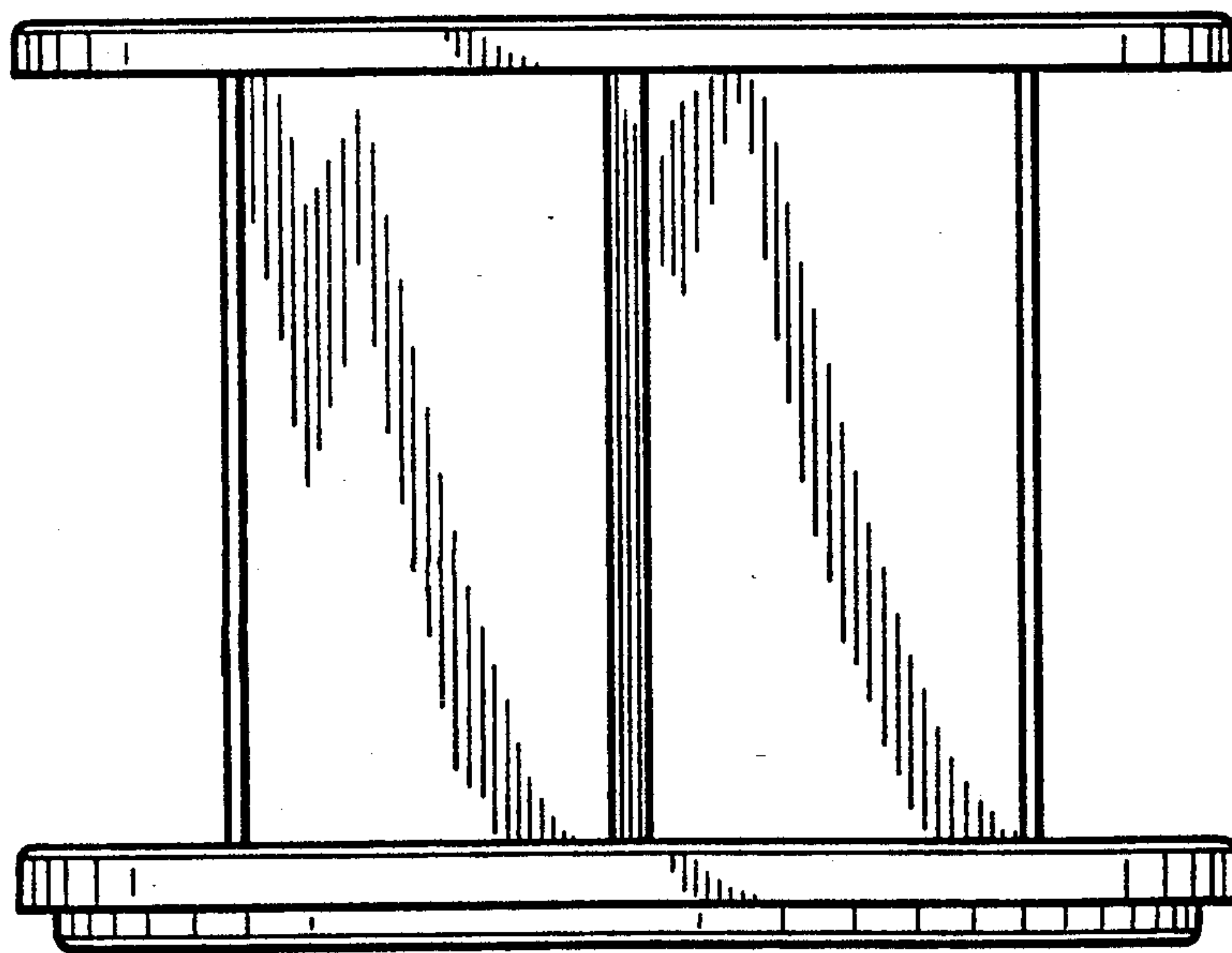


FIG. 4

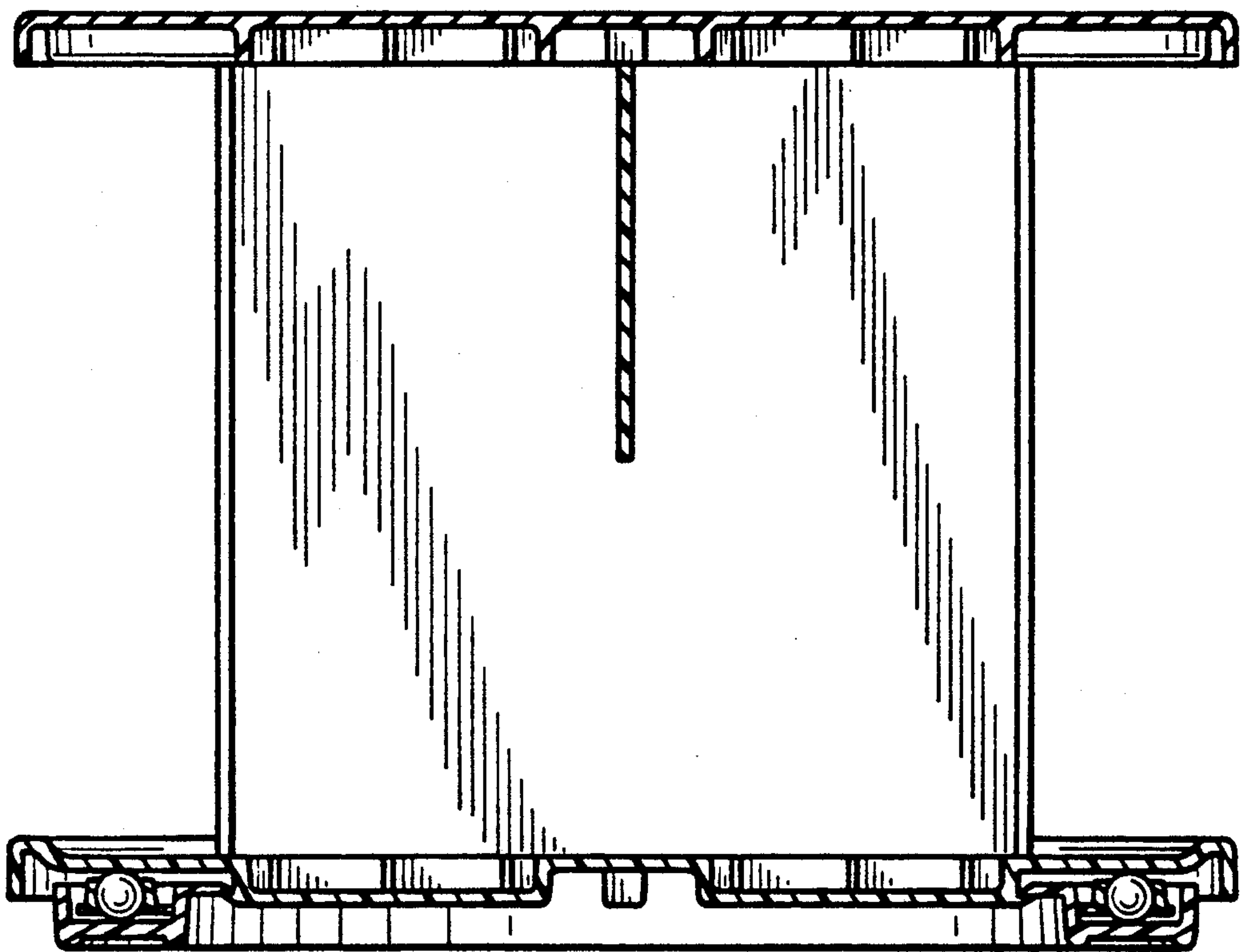


FIG. 5