



US00D333742S

United States Patent [19]
Reutenauer, Jr. et al.

[11] **Patent Number: Des. 333,742**
[45] **Date of Patent: ** Mar. 9, 1993**

[54] **CABINET FOR RECYCLING BINS**

[76] **Inventors: James H. Reutenauer, Jr.; Donna M. Reutenauer, both of R.D. 1, Box 140-D, Chatham, N.Y. 12037**

[**] **Term: 14 Years**

[21] **Appl. No.: 724,355**

[22] **Filed: Jul. 1, 1991**

[52] **U.S. Cl. D6/442; D34/1; D6/432**

[58] **Field of Search D34/1-11; D6/432, 436-447; 270/908; 232/43.2, 43.1, 1 R; 312/321.5, 273, 326**

[56] **References Cited**

U.S. PATENT DOCUMENTS

2,636,800	4/1953	Downey	312/321.5
3,323,852	6/1967	Meyers	312/321.5
5,090,785	2/1992	Stamp	220/908

FOREIGN PATENT DOCUMENTS

642613	9/1950	United Kingdom	312/321.5
1052678	12/1966	United Kingdom	220/908

Primary Examiner—Kay H. Chin
Attorney, Agent, or Firm—Richard C. Litman

[57] **CLAIM**

The ornamental design for cabinet for recycling bins, as shown and described.

DESCRIPTION

FIG. 1 is a top, front and side perspective view of a cabinet for recycling bins showing our new design, the broken lines are for illustrative purposes only and forms no part of the claimed design;

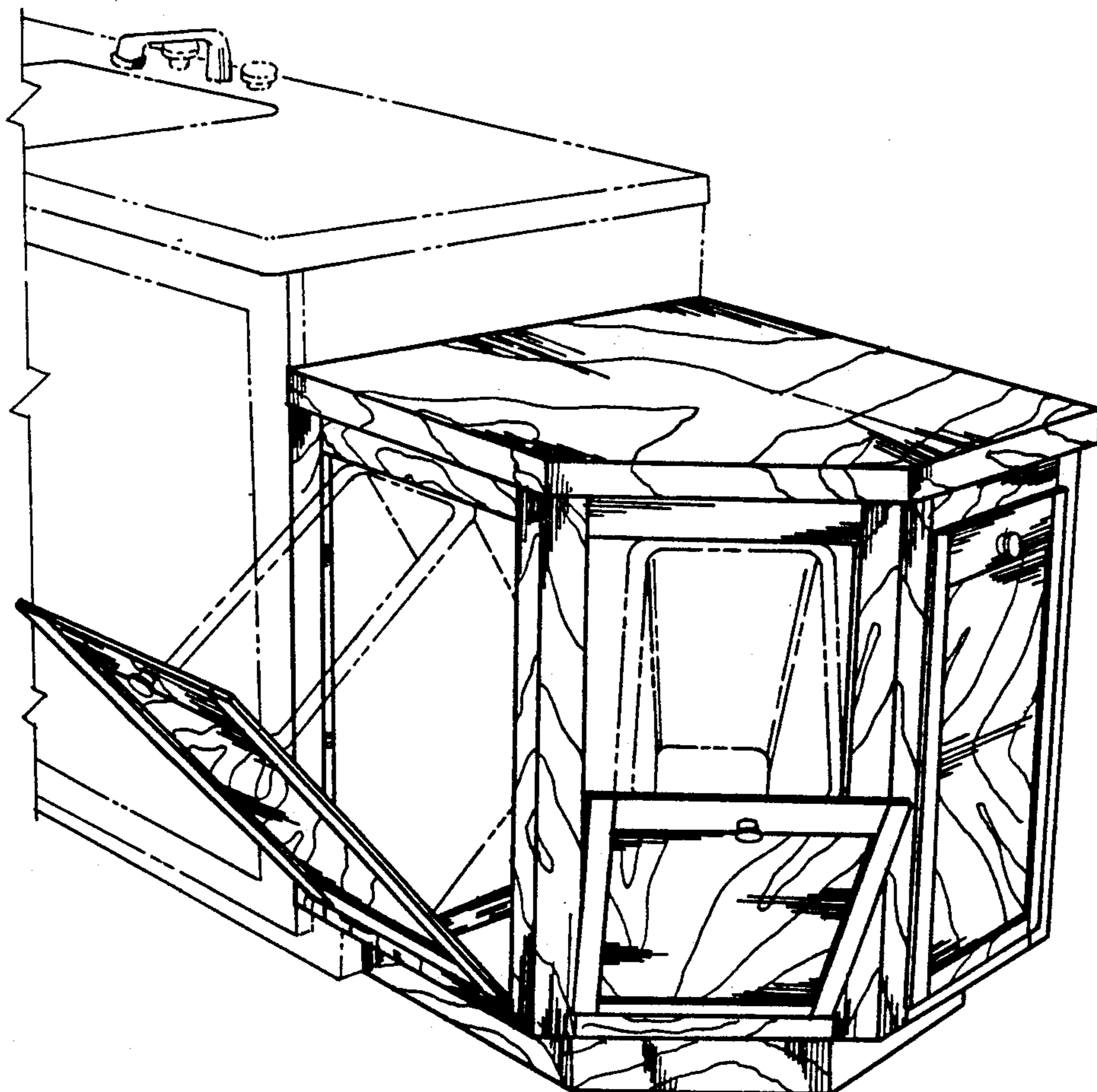
FIG. 2 is a top plan view thereof with the bins in a closed condition;

FIG. 3 is a front elevational view of FIG. 2;

FIG. 4 is a front elevational view of FIG. 1;

FIG. 5 is a side elevational view of FIG. 2, the opposite side elevational view being a mirror image of that shown; and,

FIG. 6 is a bottom plan view of FIG. 2.



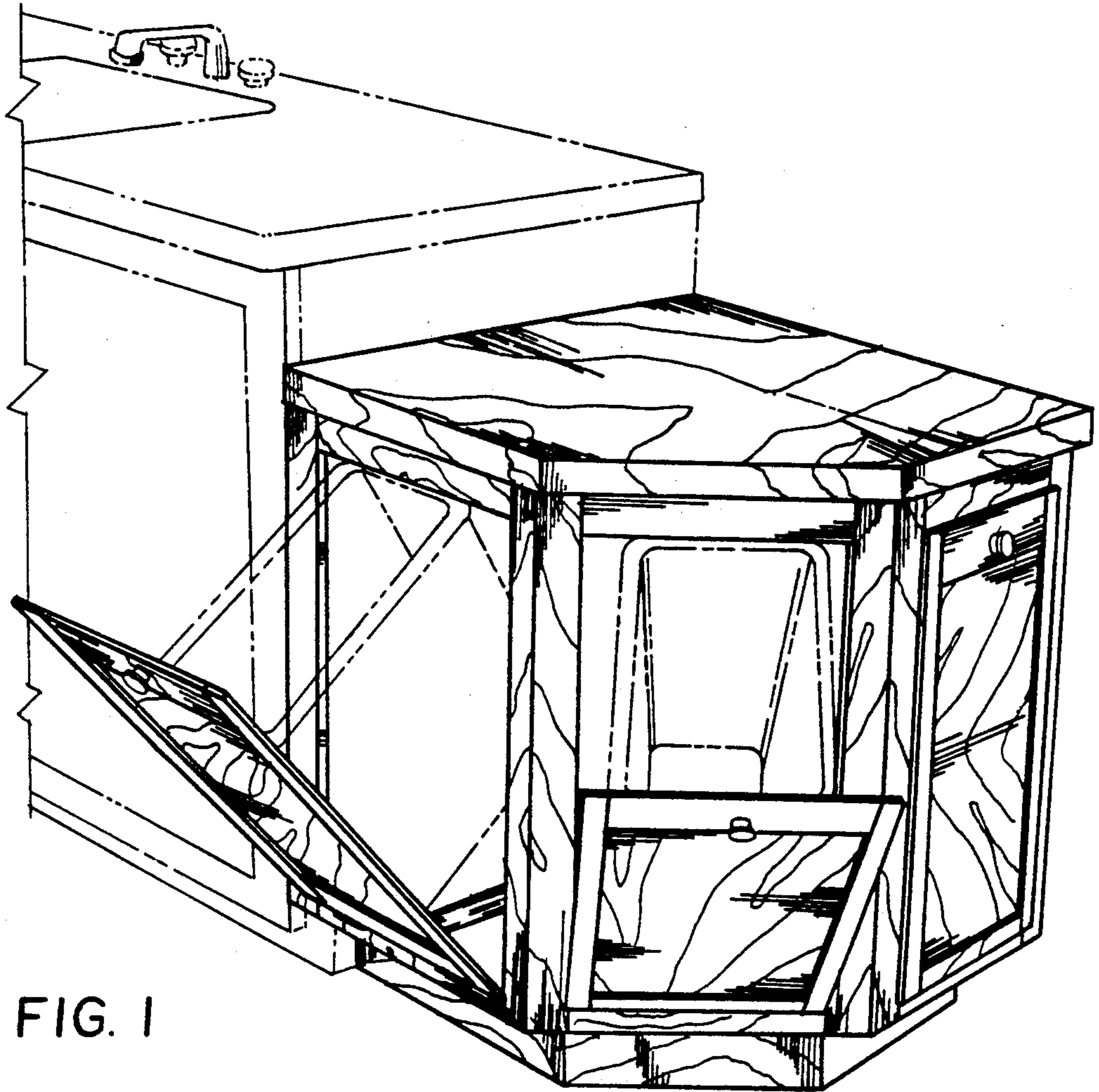


FIG. 1

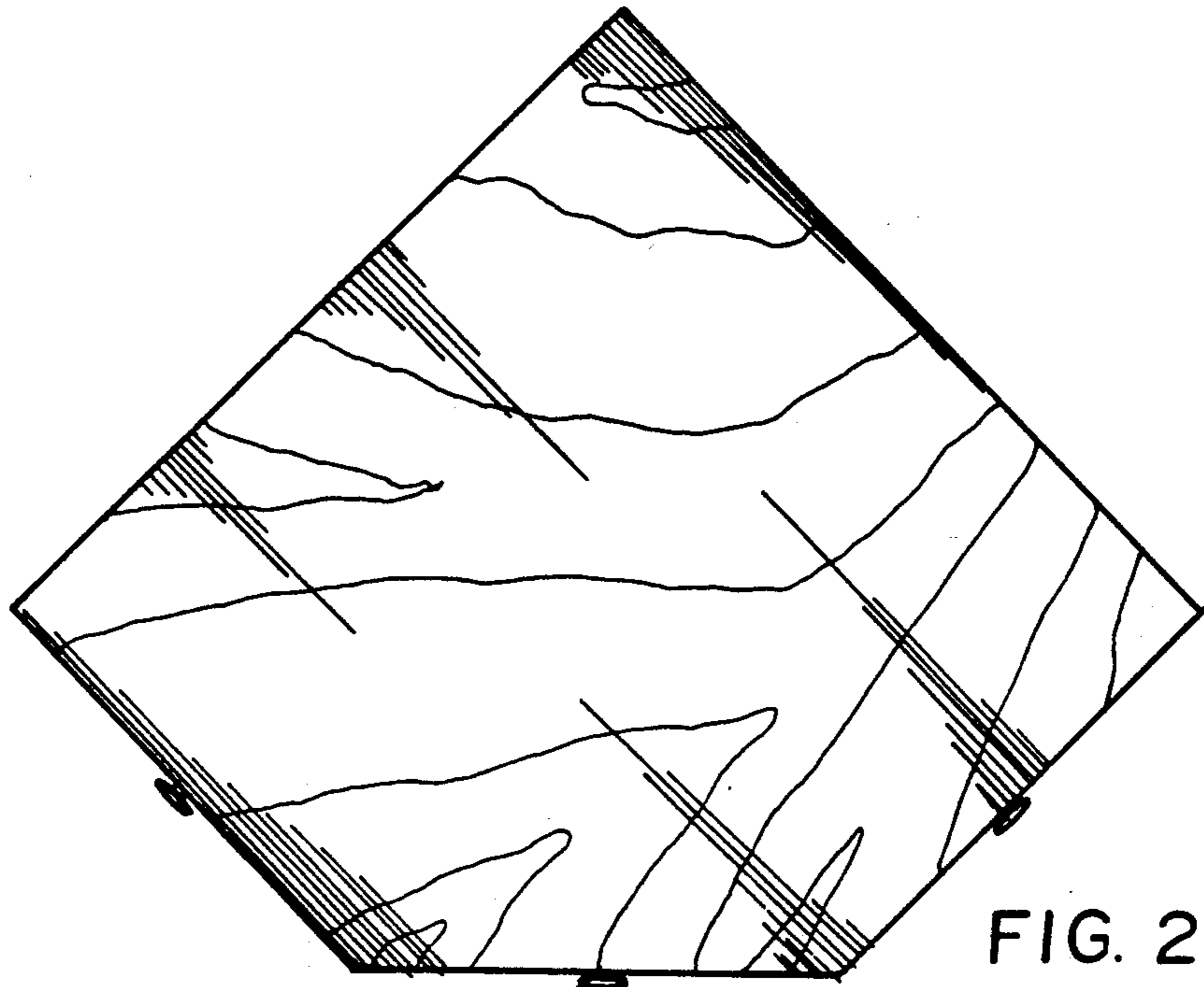


FIG. 2

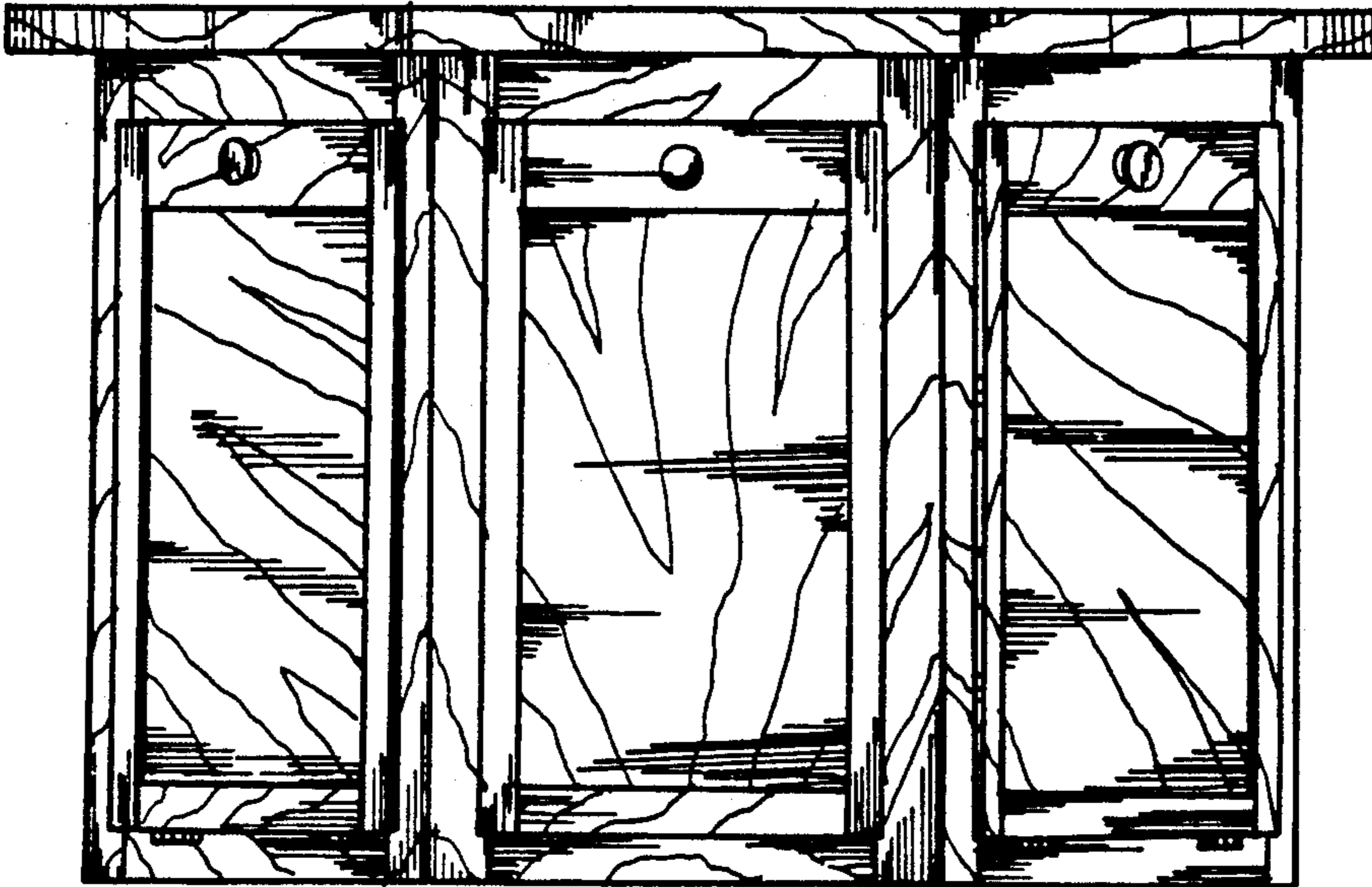


FIG. 3

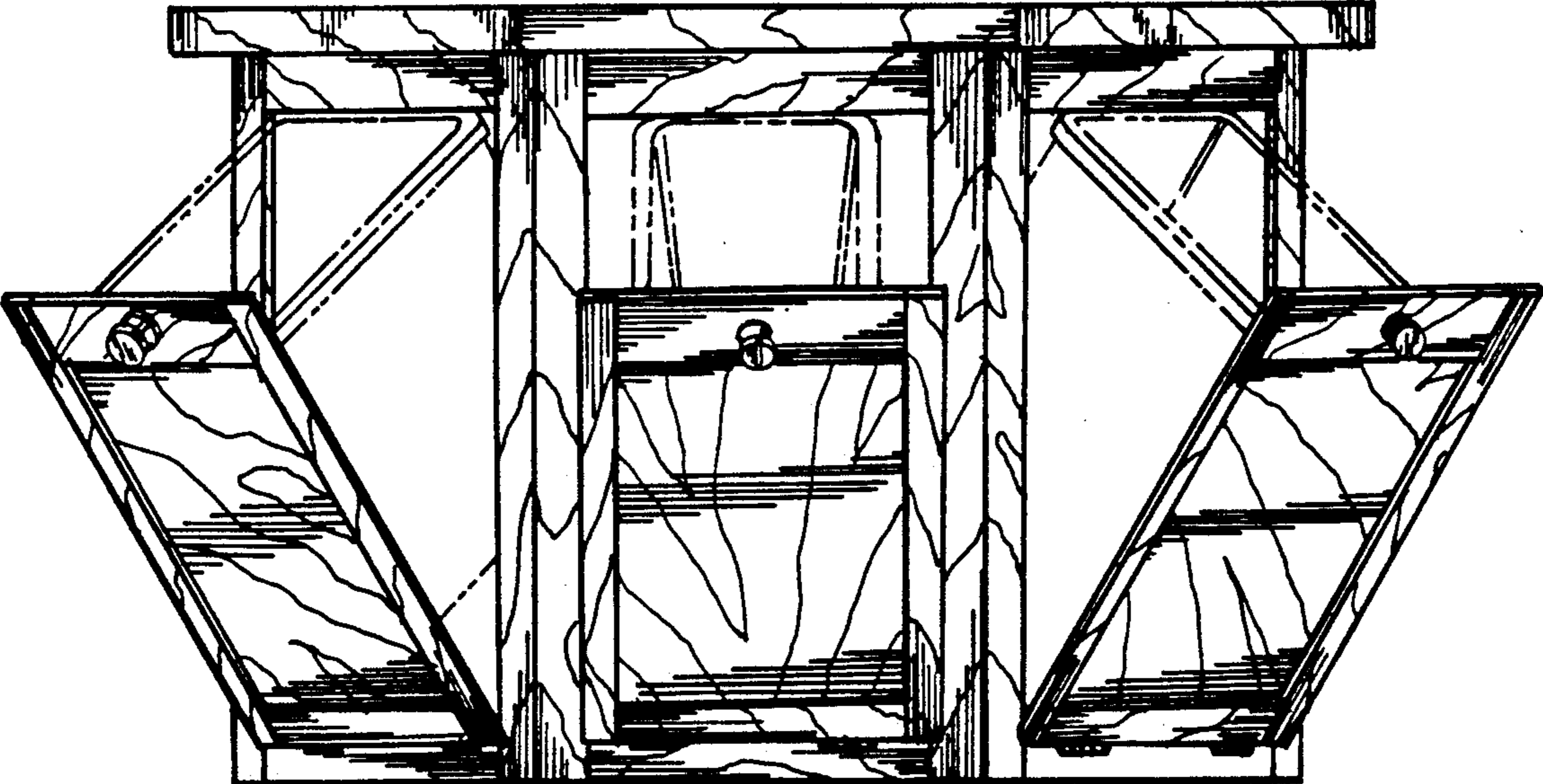


FIG. 4

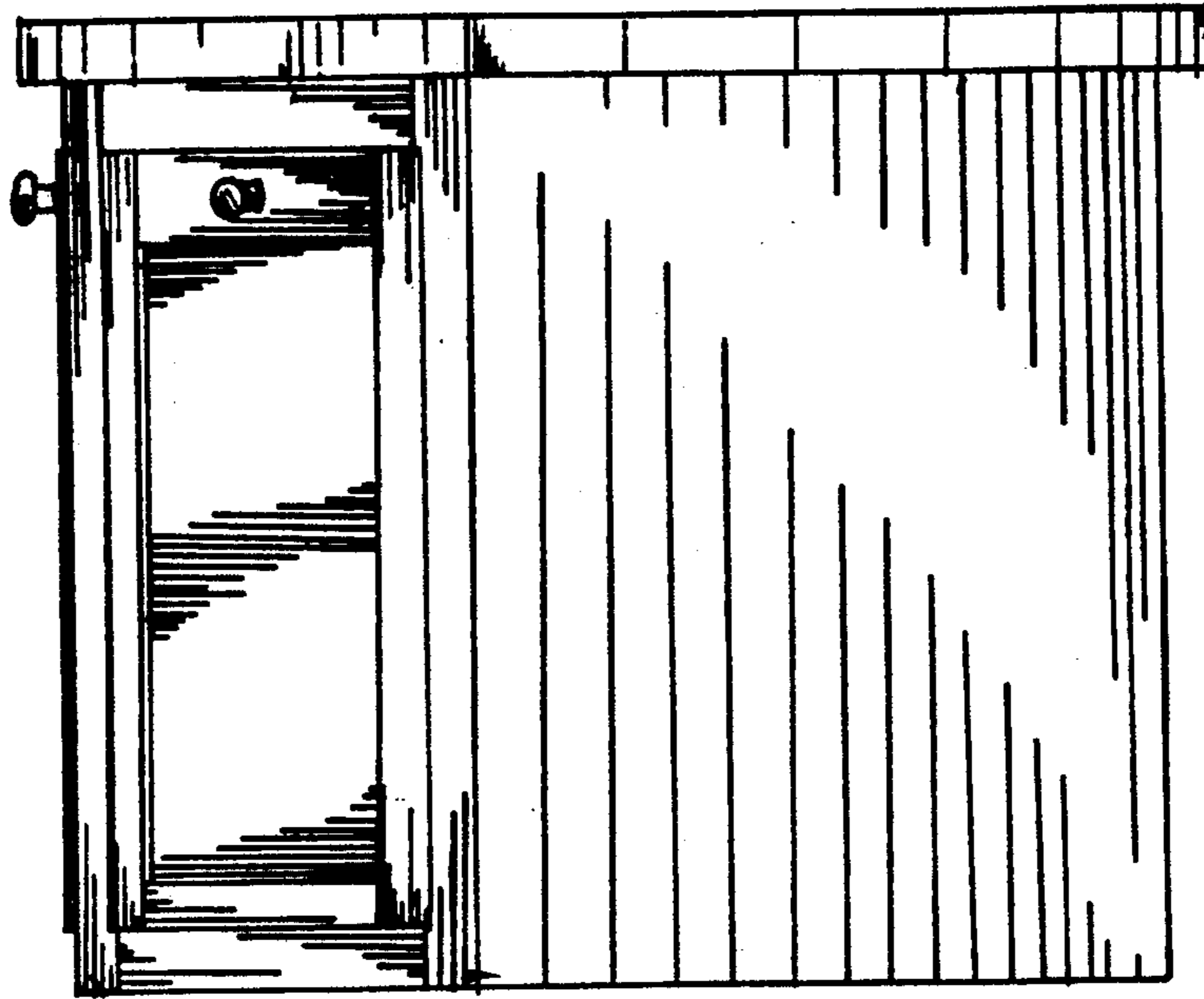


FIG. 5

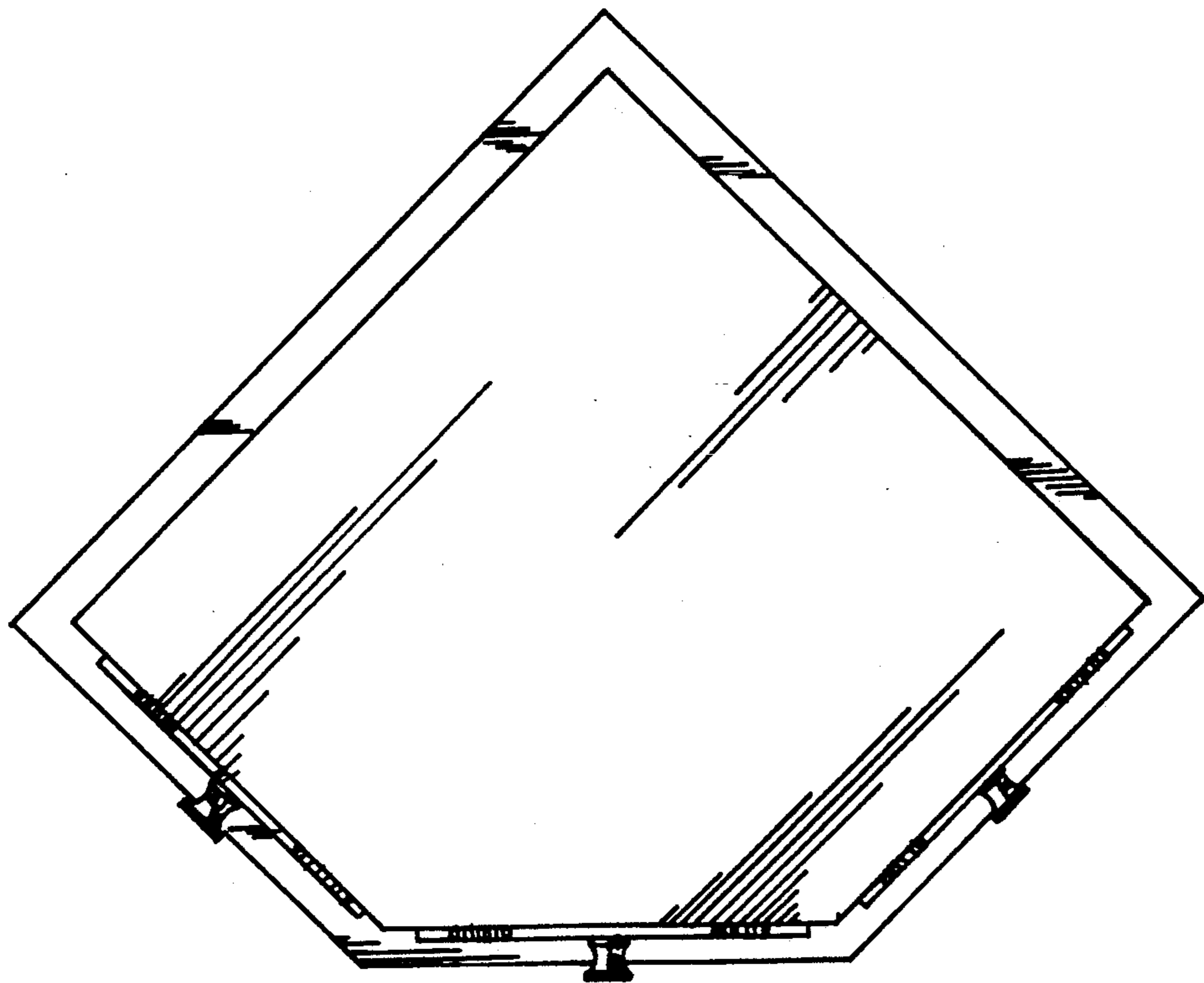


FIG. 6