



US00D333737S

# United States Patent [19]

Adams

[11] Patent Number: Des. 333,737

[45] Date of Patent: \*\* Mar. 9, 1993

[54] PORTABLE FOLDING ROCKER SEAT

[76] Inventor: Joe L. Adams, 6203 Funderburg Bend Rd., Pell City, Ala. 35125

[\*\*] Term: 14 Years

[21] Appl. No.: 540,802

[22] Filed: Jun. 19, 1990

[52] U.S. Cl. .... D6/368; D6/348

[58] Field of Search ..... D6/334, 335, 344, 348, D6/353, 368, 374, 380, 500, 501, 502; 297/183, 258, 272, 326, 378, DIG. 2

[56] References Cited

U.S. PATENT DOCUMENTS

|            |         |              |       |           |
|------------|---------|--------------|-------|-----------|
| D. 179,335 | 11/1956 | Wright       | ..... | D6/368    |
| D. 252,658 | 8/1979  | Kressin      | ..... | D6/368    |
| D. 277,917 | 3/1985  | Slakman      | ..... | D6/502 X  |
| D. 295,476 | 5/1988  | Halpain      | ..... | D6/368 X  |
| D. 312,004 | 11/1990 | Smith et al. | ..... | D6/368    |
| D. 316,190 | 4/1991  | Sadan        | ..... | D6/335    |
| 1,118,530  | 11/1914 | Clay         | ..... | 297/183 X |
| 2,759,527  | 8/1956  | Myrick, Jr.  | ..... | 297/183   |
| 3,120,406  | 2/1964  | Shelton      | ..... | D6/368 X  |

3,994,529 11/1976 Lippert ..... D6/368 X

Primary Examiner—Alan P. Douglas  
Assistant Examiner—Gary D. Watson  
Attorney, Agent, or Firm—Jennings, Carter, Thompson & Veal

[57] CLAIM

The ornamental design for a portable folding rocker seat, as shown and described.

DESCRIPTION

FIG. 1 is a right-front perspective view of a portable folding rocker seat showing my new design; FIG. 2 is a right-front perspective view showing the seat in folded condition; FIG. 3 is a bottom right rear perspective view; FIG. 4 is a front elevational view; FIG. 5 is a rear elevational view; FIG. 6 is a right side elevational view, the left side being a mirror image thereof; FIG. 7 is a top plan view; and, FIG. 8 is a bottom plan view thereof. FIGS. 4 through 8 have been drawn to a larger scale with respect to FIGS 1 through 3.

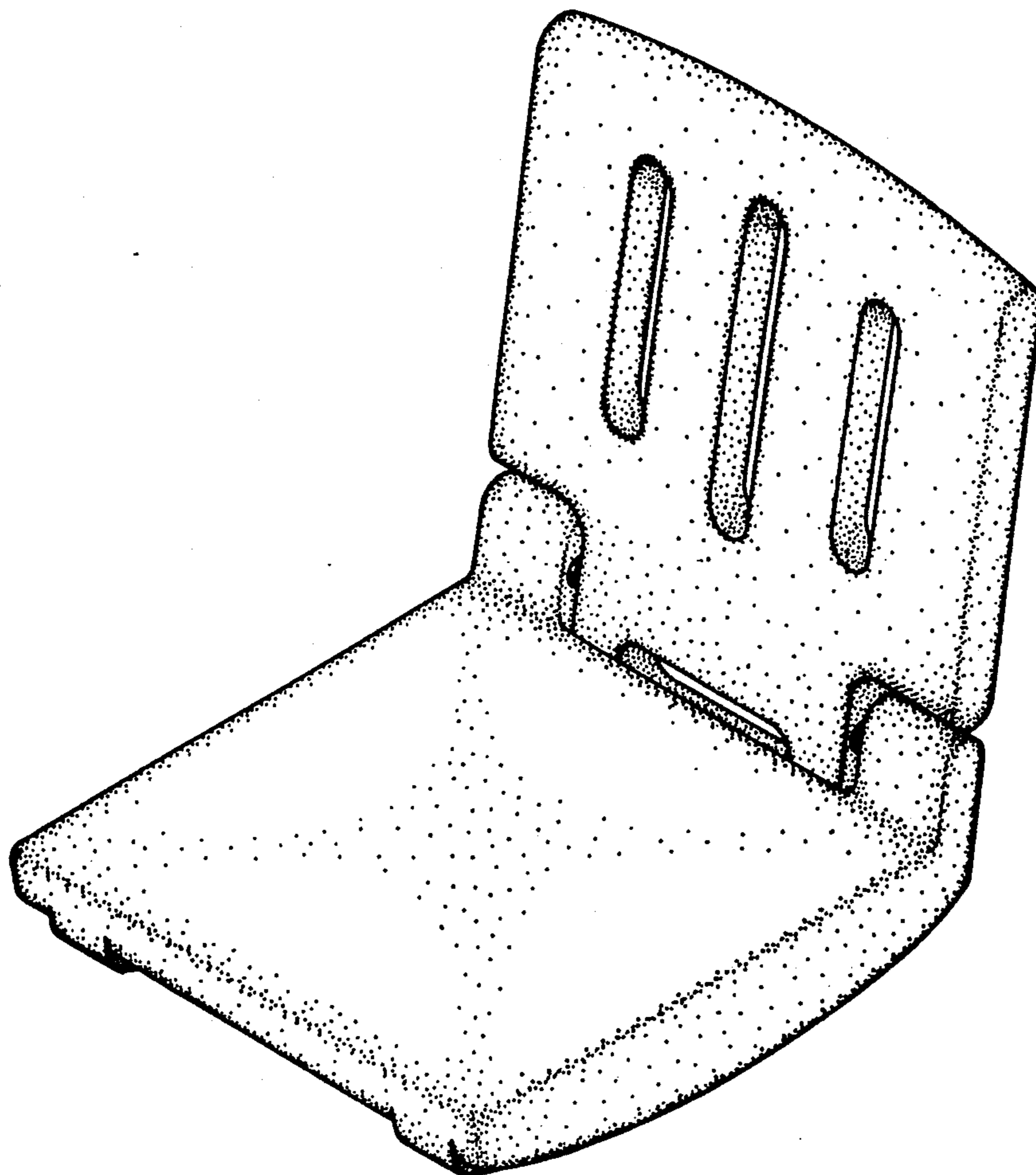


FIG. 1

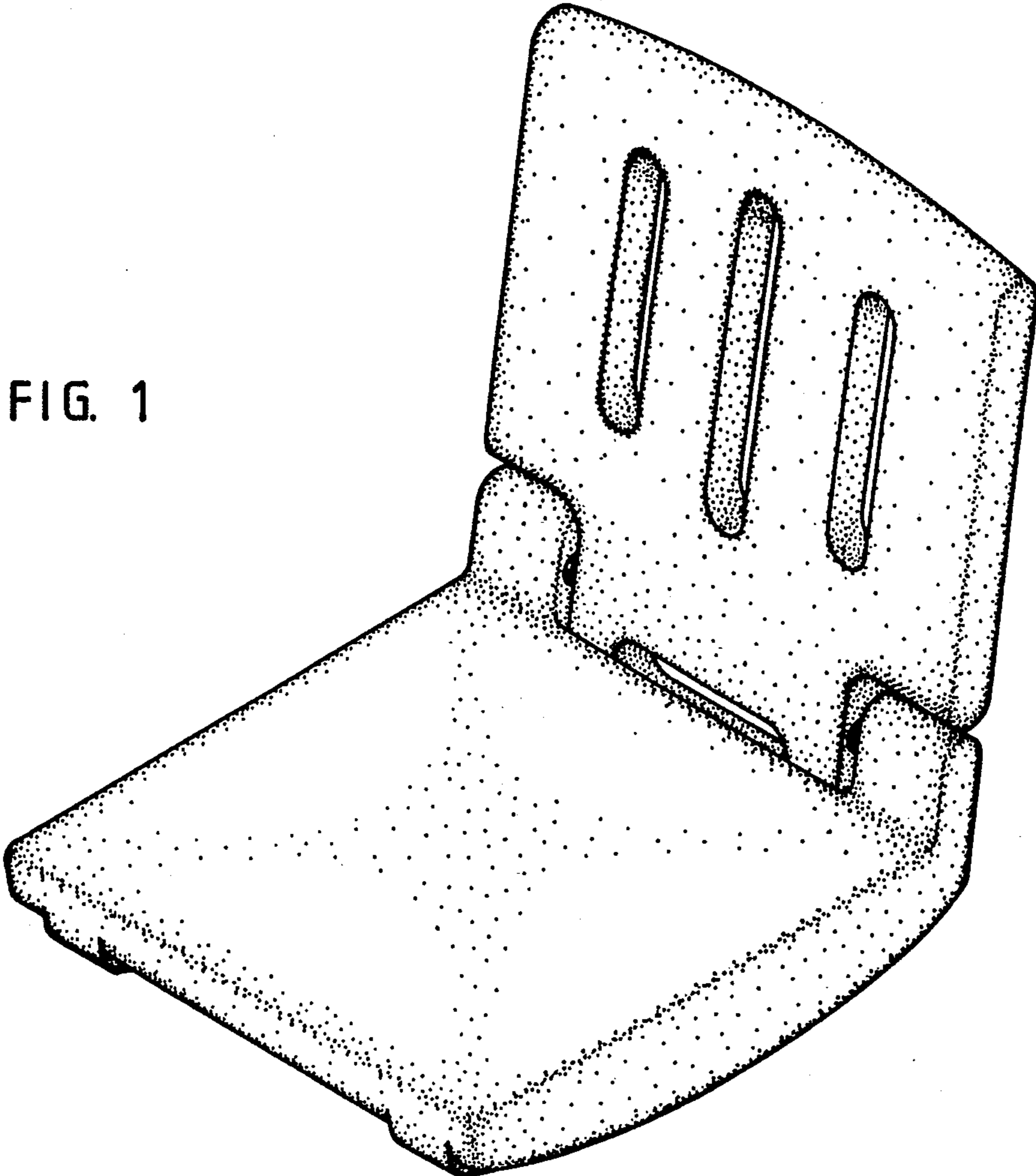


FIG. 2

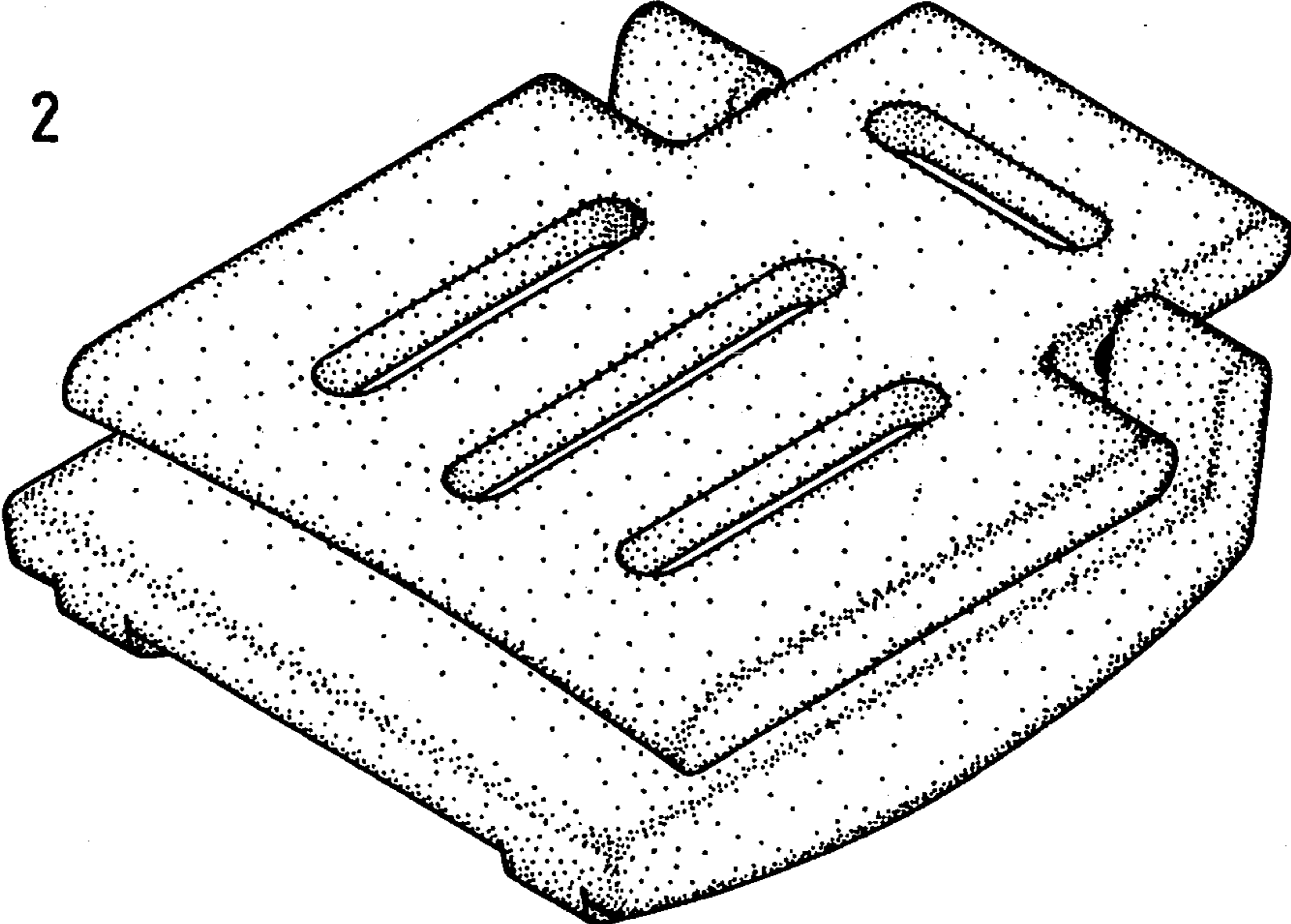


FIG. 3

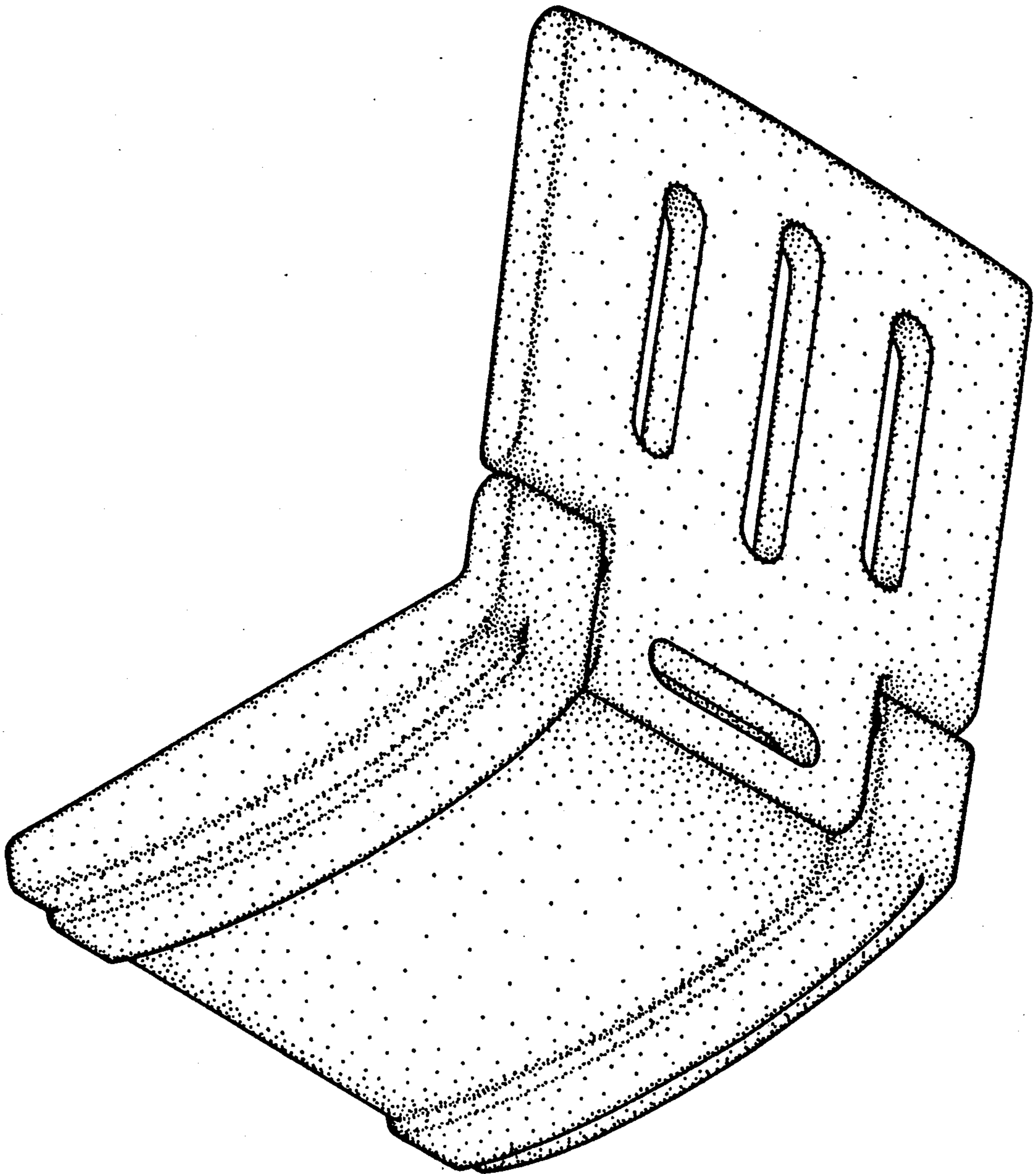




FIG. 4

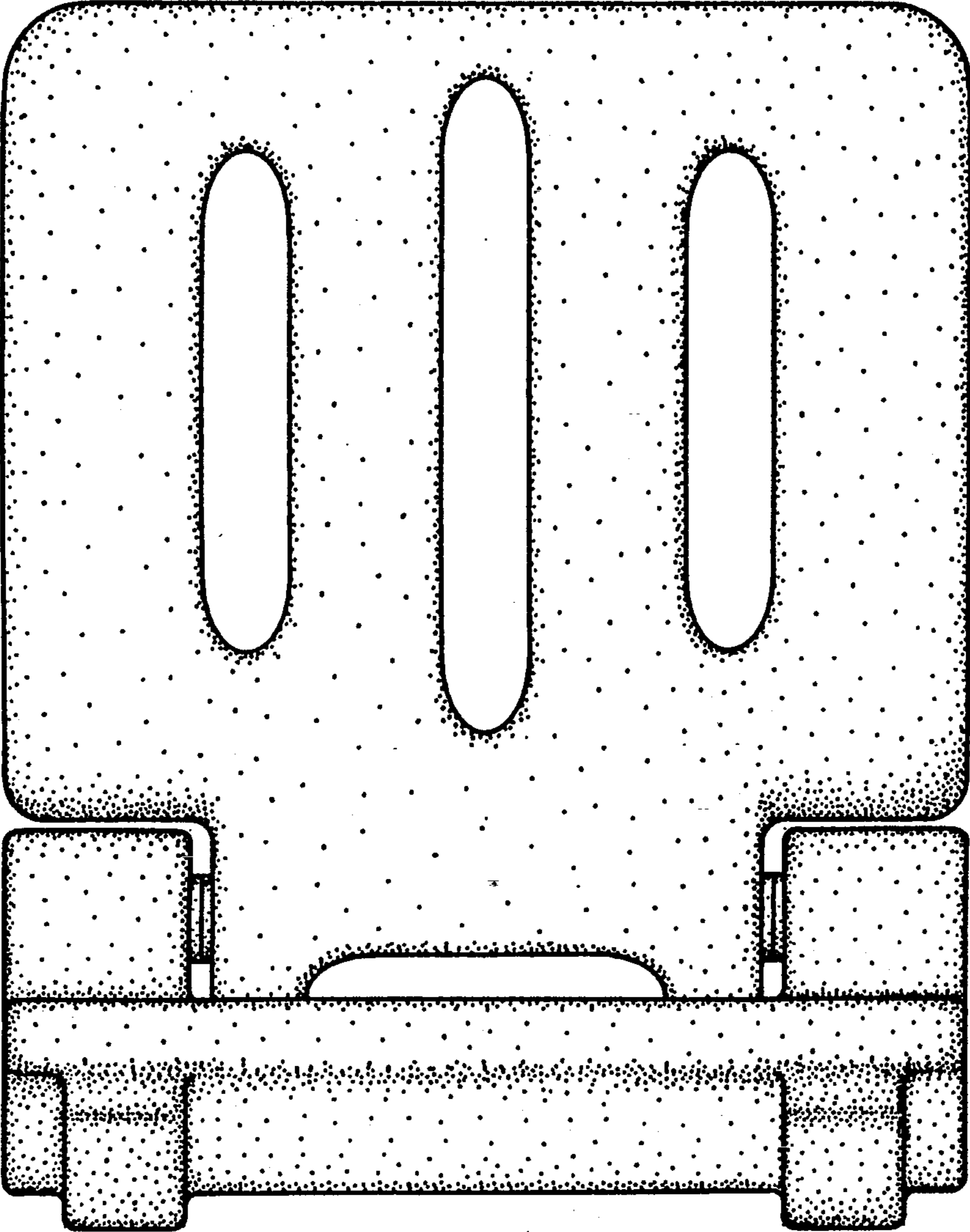


FIG. 5

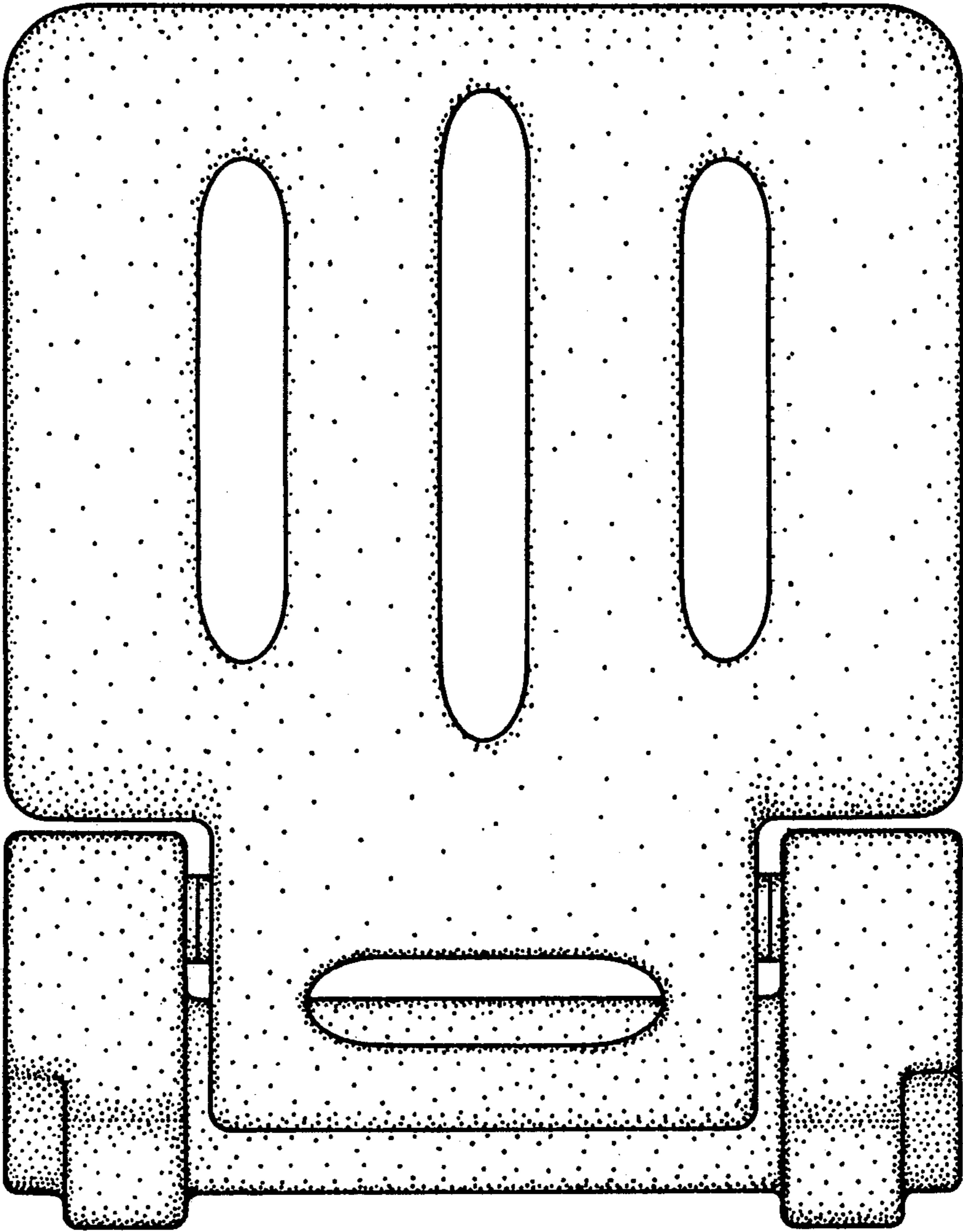


FIG. 6

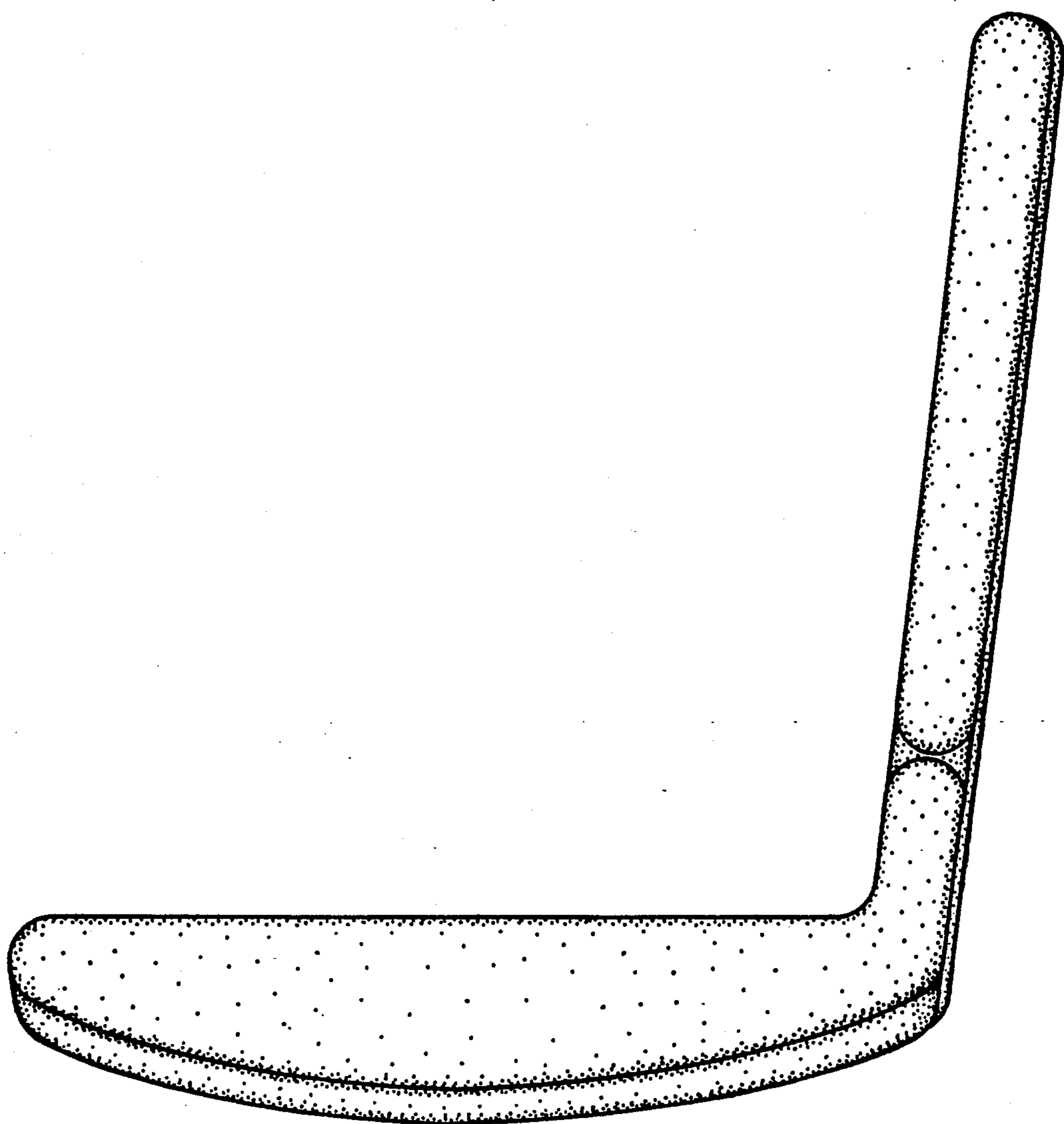


FIG. 7

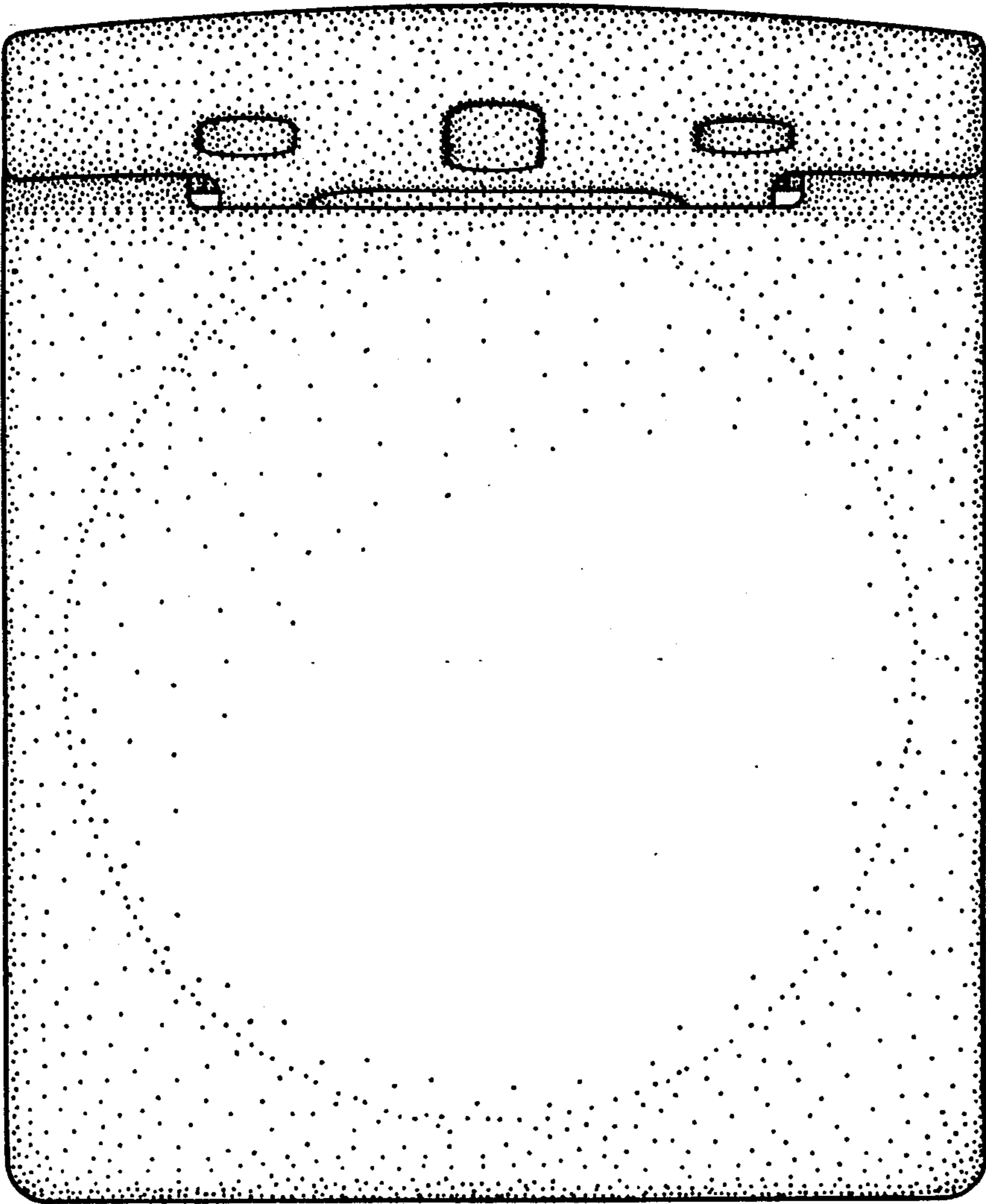


FIG. 8

