



US00D333731S

# United States Patent [19]

[11] Patent Number: **Des. 333,731**

Klein et al.

[45] Date of Patent: **\*\* Mar. 9, 1993**

[54] **TIE RACK**

[75] Inventors: **Rich Klein, Overland Park, Kans.;  
Vijay S. Malik, Kansas City, Mo.**

[73] Assignee: **Lynk, Inc., Shawnee Mission, Kans.**

[\*\*] Term: **14 Years**

[21] Appl. No.: **597,735**

[22] Filed: **Oct. 9, 1990**

[52] U.S. Cl. .... **D6/317; D6/324;  
D32/58**

[58] Field of Search ..... **D6/317, 315, 324, 566,  
D6/320; 211/60.1, 106, 99, 100; D32/58**

[56] **References Cited**

**U.S. PATENT DOCUMENTS**

- D. 151,402 10/1948 Ragland ..... D6/324
- D. 152,591 2/1949 Canner ..... D6/324
- D. 240,877 8/1976 Lefkof ..... D6/324

- D. 321,094 10/1991 Greenhut ..... D6/324
- 1,717,981 6/1929 Kirshner ..... 211/99
- 1,767,545 6/1930 Mossbacher ..... 211/106

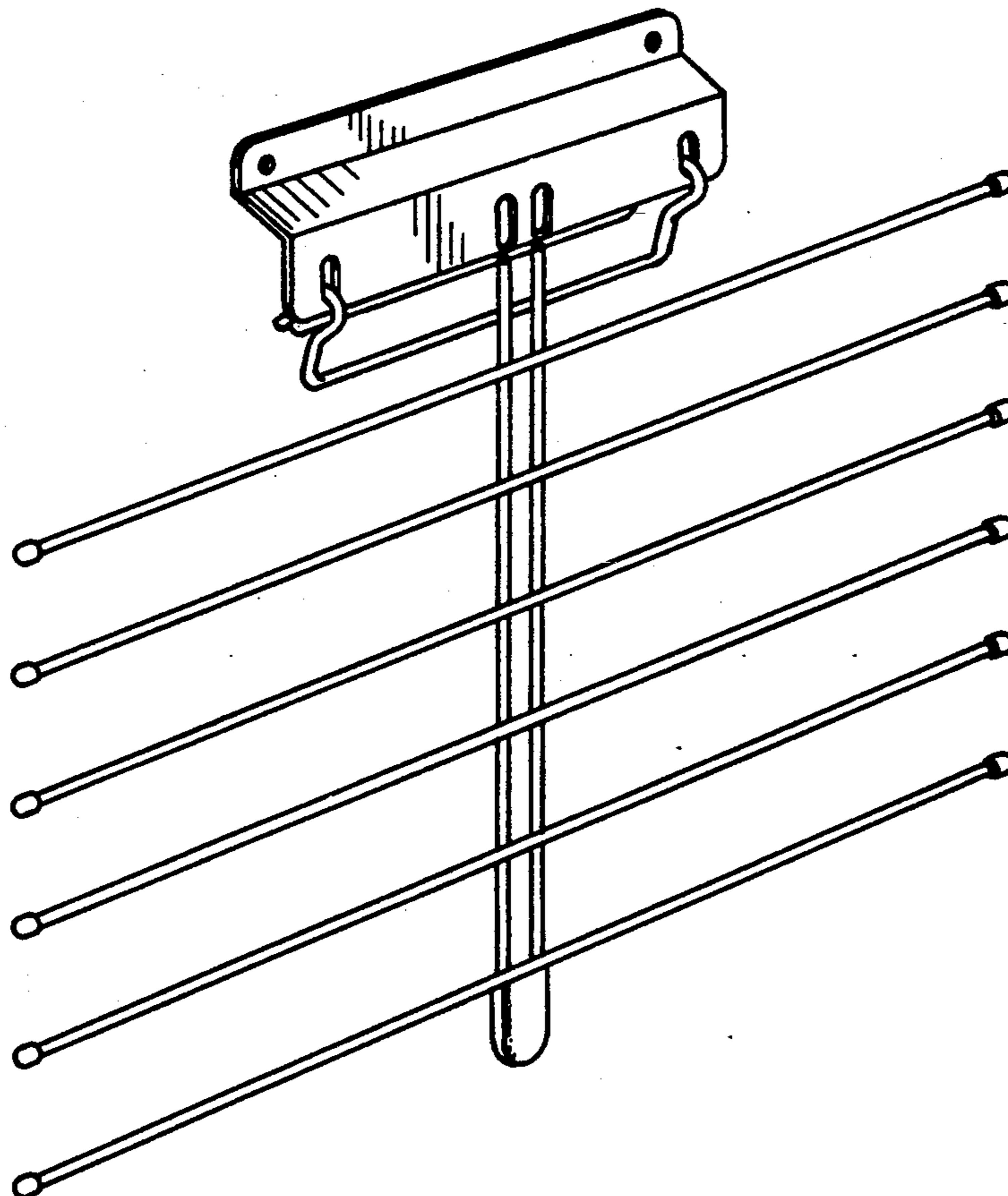
*Primary Examiner*—B. J. Bullock  
*Attorney, Agent, or Firm*—Kokjer, Kircher, Bowman & Johnson

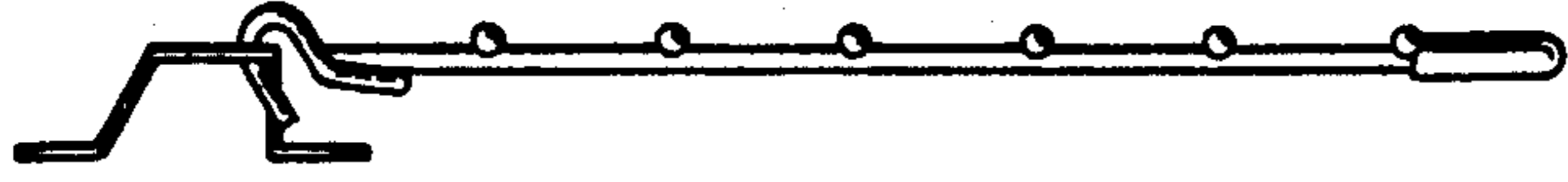
[57] **CLAIM**

The ornamental design for a tie rack, as shown and described.

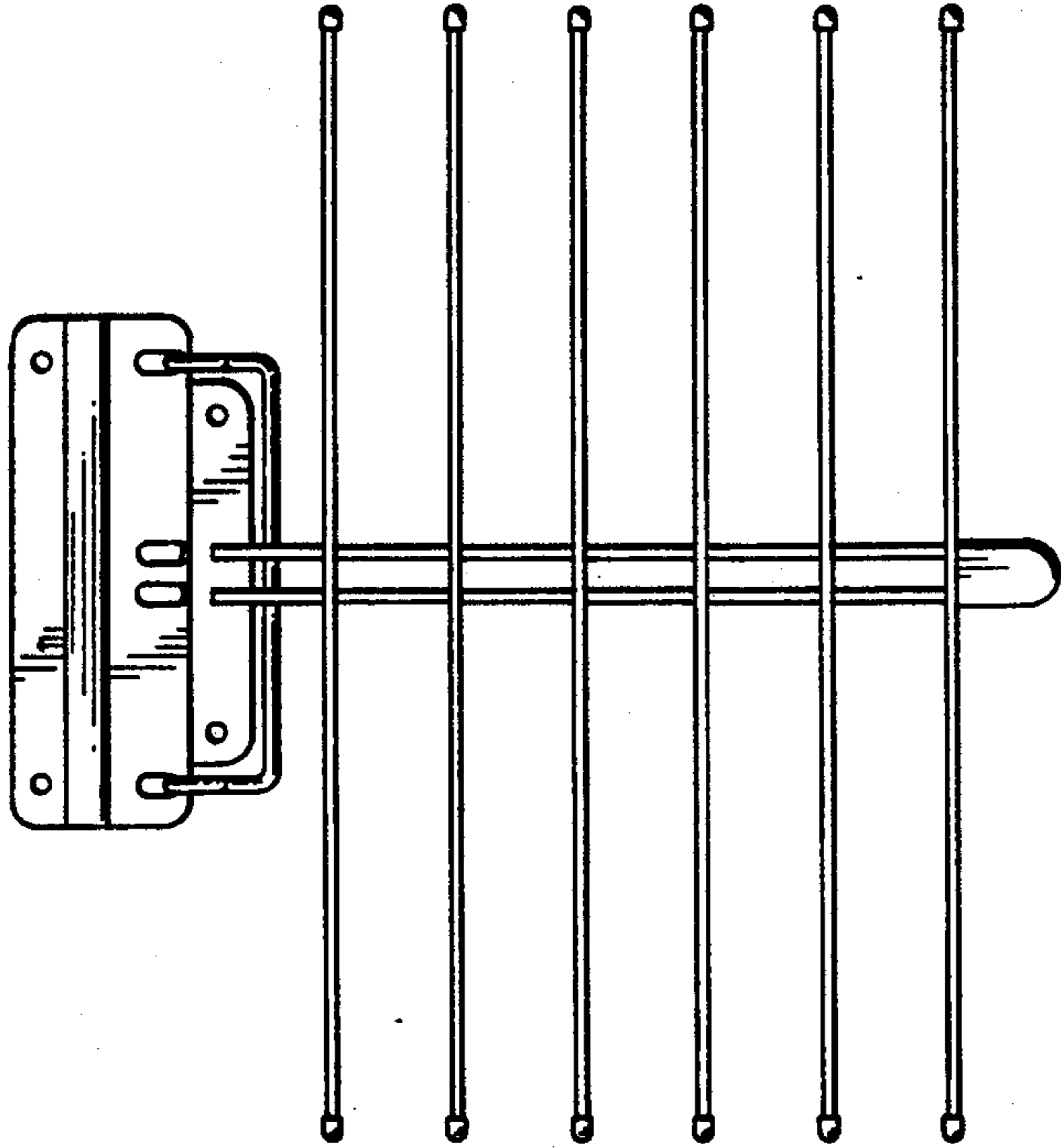
**DESCRIPTION**

FIG. 1 is a perspective view of a tie rack embodying our new design;  
FIG. 2 is a front elevational view thereof, the rear being unornamented;  
FIG. 3 is a left side elevational view thereof, the right side being a mirror image;  
FIG. 4 is a bottom plan view thereof; and,  
FIG. 5 is a top plan view thereof.





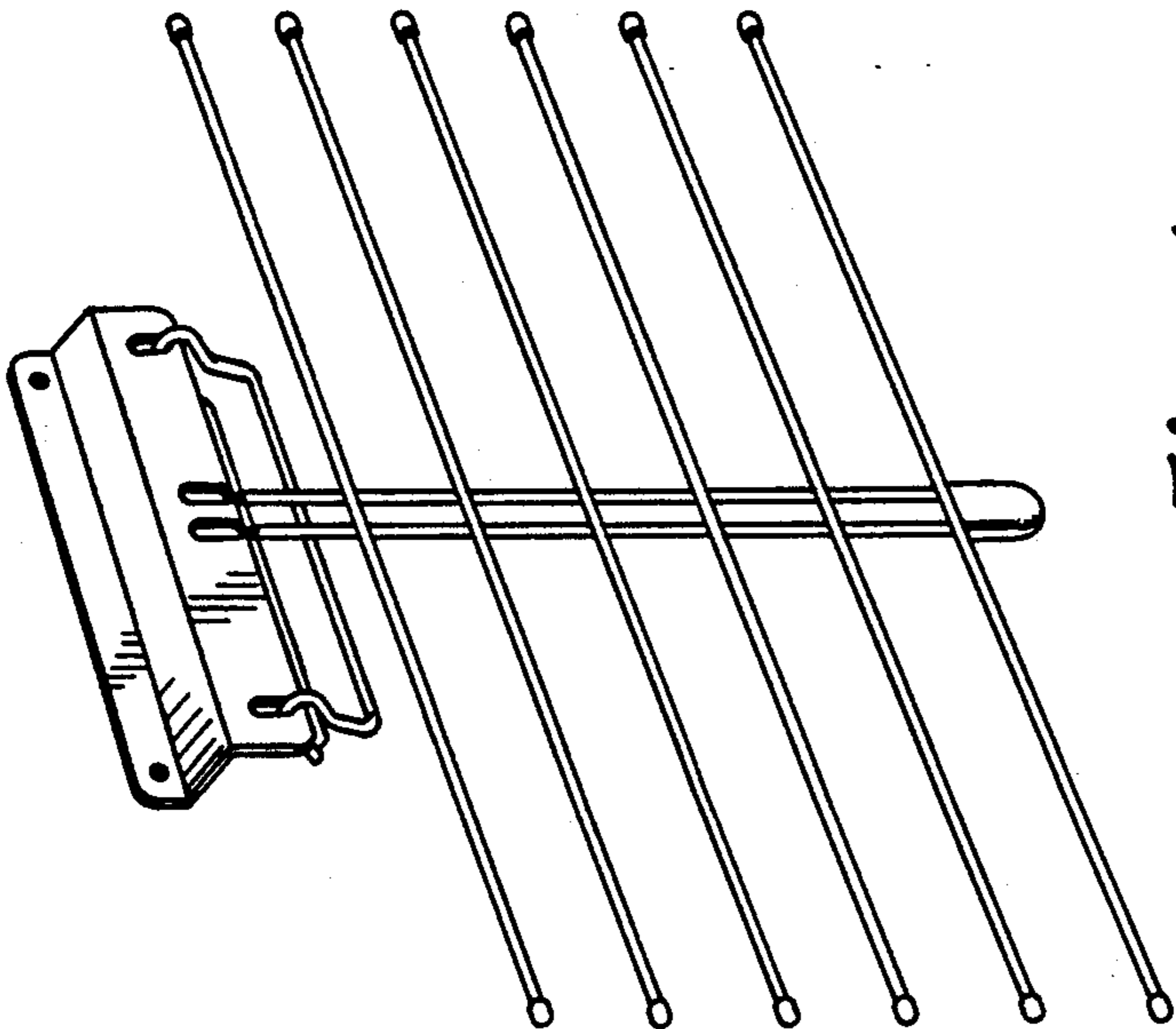
*Fig. 3.*



*Fig. 2.*



*Fig. 5.*



*Fig. 1.*



*Fig. 4.*