



US00D333726S

# United States Patent [19]

[11] Patent Number: **Des. 333,726**

**Beder**

[45] Date of Patent: **\*\* Mar. 9, 1993**

[54] **RECIPE BOX**

[75] Inventor: **Samuel L. Beder, Cape Elizabeth, Me.**

[73] Assignee: **Sportingwood's, Inc., Portland, Me.**

[\*\*] Term: **14 Years**

[21] Appl. No.: **638,653**

[22] Filed: **Jan. 8, 1991**

[52] U.S. Cl. .... **D3/78**

[58] Field of Search ..... **D3/78, 75, 74; 206/216, 206/425, 5 R, 316.1; 359/819, 656; 220/339, 334; D16/135**

[56] **References Cited**

**U.S. PATENT DOCUMENTS**

- D. 170,165 8/1953 Roop ..... D3/78 X
- D. 243,526 3/1977 Overman ..... D3/78 X
- D. 249,744 9/1978 Lyman ..... D3/78
- D. 287,070 12/1986 Staubitz et al. .... D3/75 X
- D. 291,327 8/1987 Drake et al. .... D3/78 X
- 1,550,055 8/1925 Augustine ..... 206/5 R
- 3,065,308 11/1962 Suyeoka ..... 206/425 X
- 3,858,720 1/1975 Flagler ..... 206/216
- 4,325,595 4/1982 Solomon ..... D3/78 X
- 4,598,824 7/1986 Long et al. .... 206/425 X

**FOREIGN PATENT DOCUMENTS**

- 2125373 3/1984 United Kingdom ..... 206/425

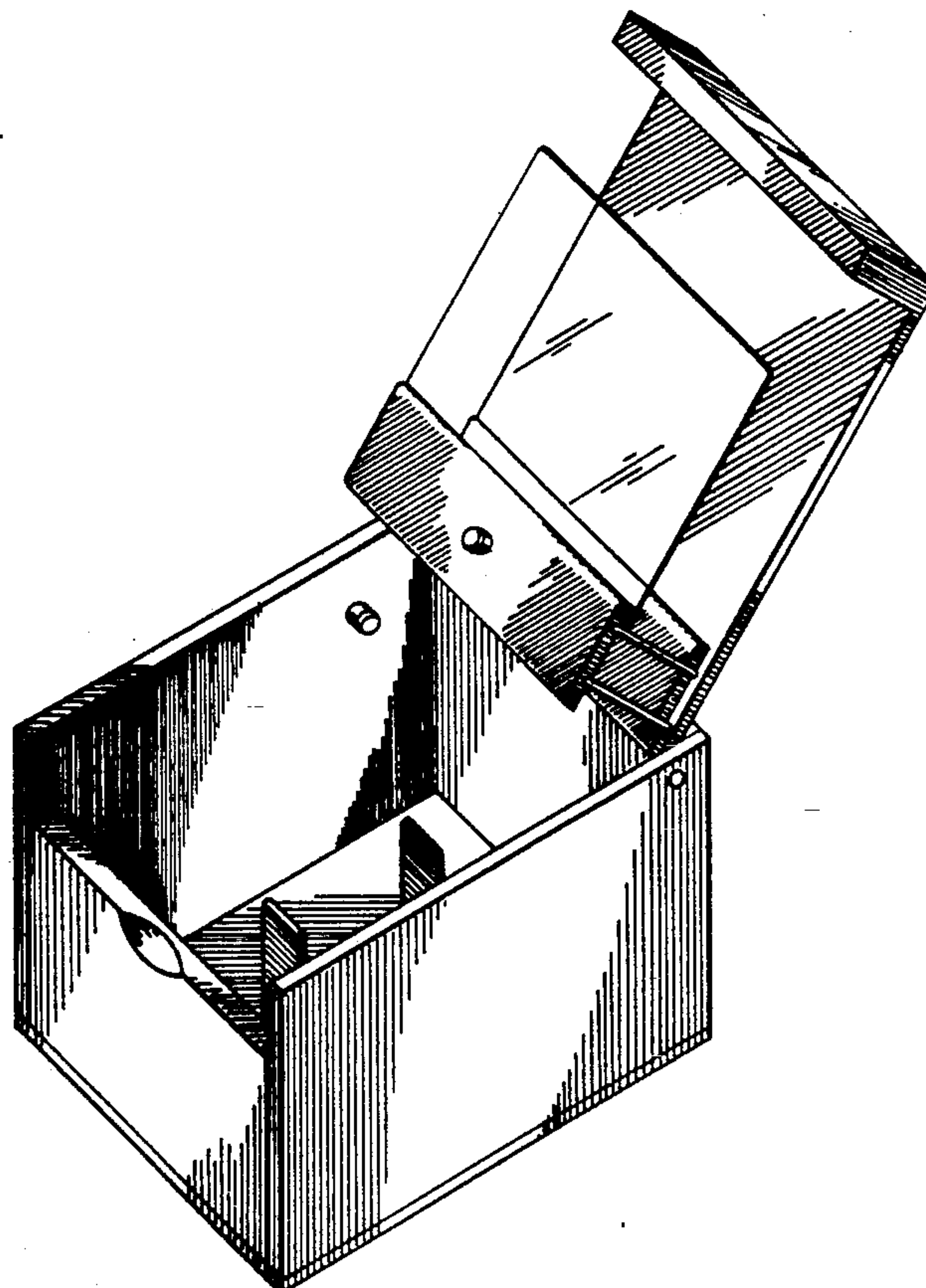
*Primary Examiner*—Louis S. Zarfias  
*Assistant Examiner*—Paula A. Mortimer  
*Attorney, Agent, or Firm*—Fish & Richardson

[57] **CLAIM**

The ornamental design for a recipe box, as shown and described.

**DESCRIPTION**

FIG. 1 is a front perspective view of a recipe box showing my new design with the lid in an open position; FIG. 2 is a front elevational view of the recipe box of FIG. 1; FIG. 3 is a rear elevational view of the recipe box of FIG. 1; FIG. 4 is a side elevational view thereof, the opposite side is a mirror image; FIG. 5 is a top plan view of the recipe box of FIG. 1; FIG. 6 is a bottom plan view of the recipe box of FIG. 1; FIG. 7 is a front elevational view thereof in a closed position; FIG. 8 is a rear elevational view of the recipe box of FIG. 7; FIG. 9 is a side elevational view of the recipe box of FIG. 7, the other side view being the same; FIG. 10 is a top plan view of the recipe box of FIG. 7; and, FIG. 11 is a bottom plan view of the recipe box of FIG. 1.



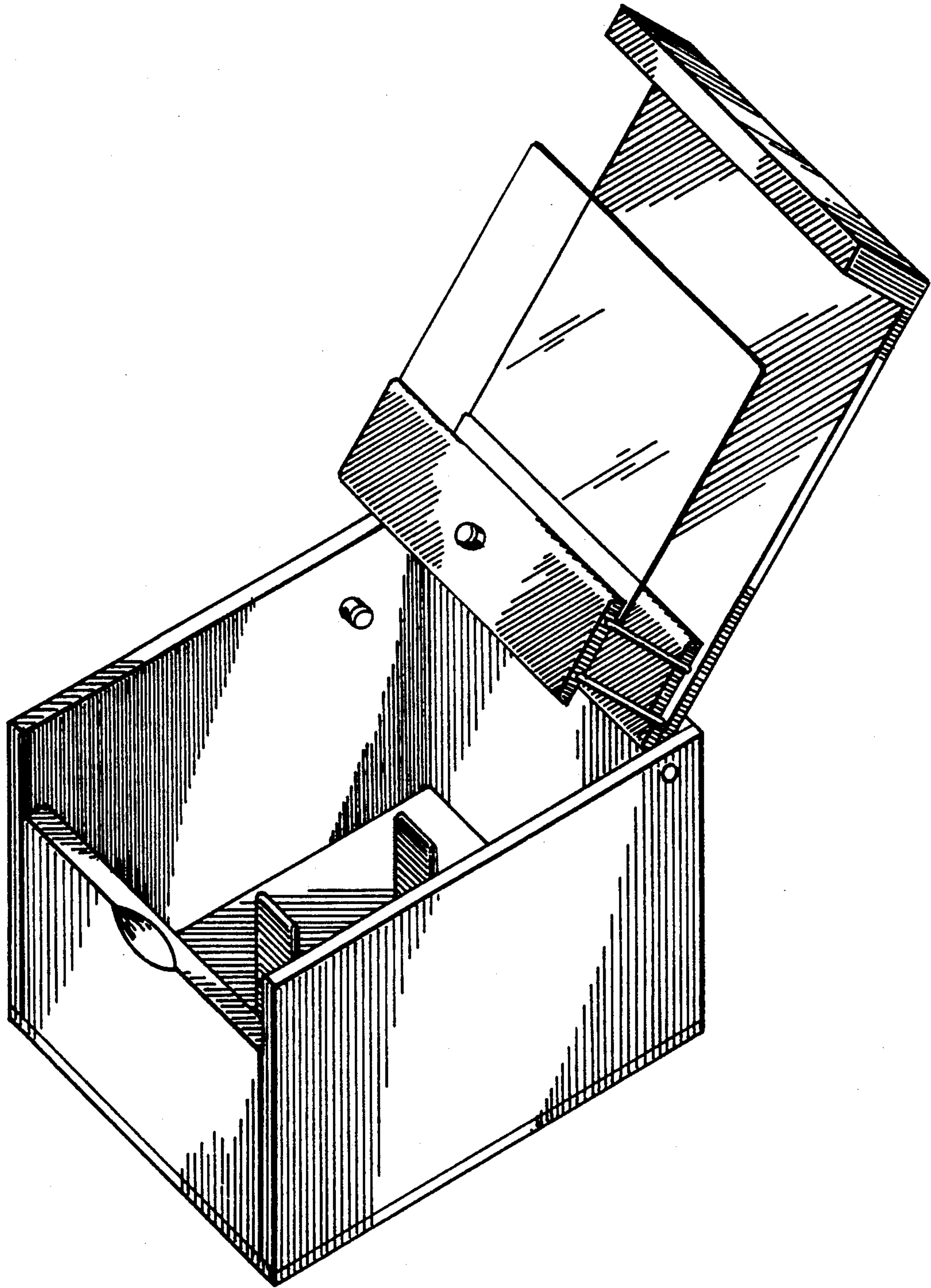


FIG. 1



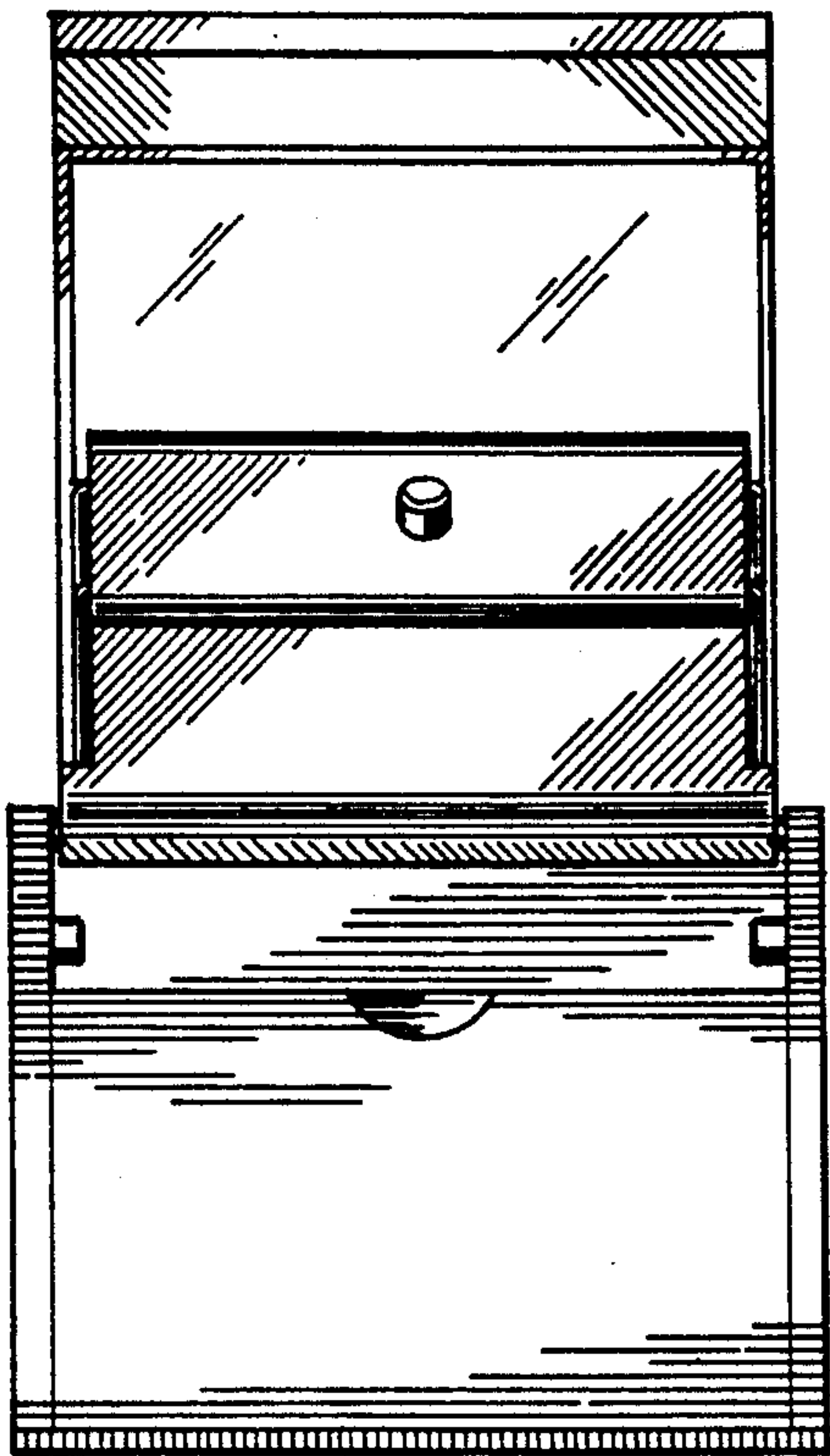


FIG. 2

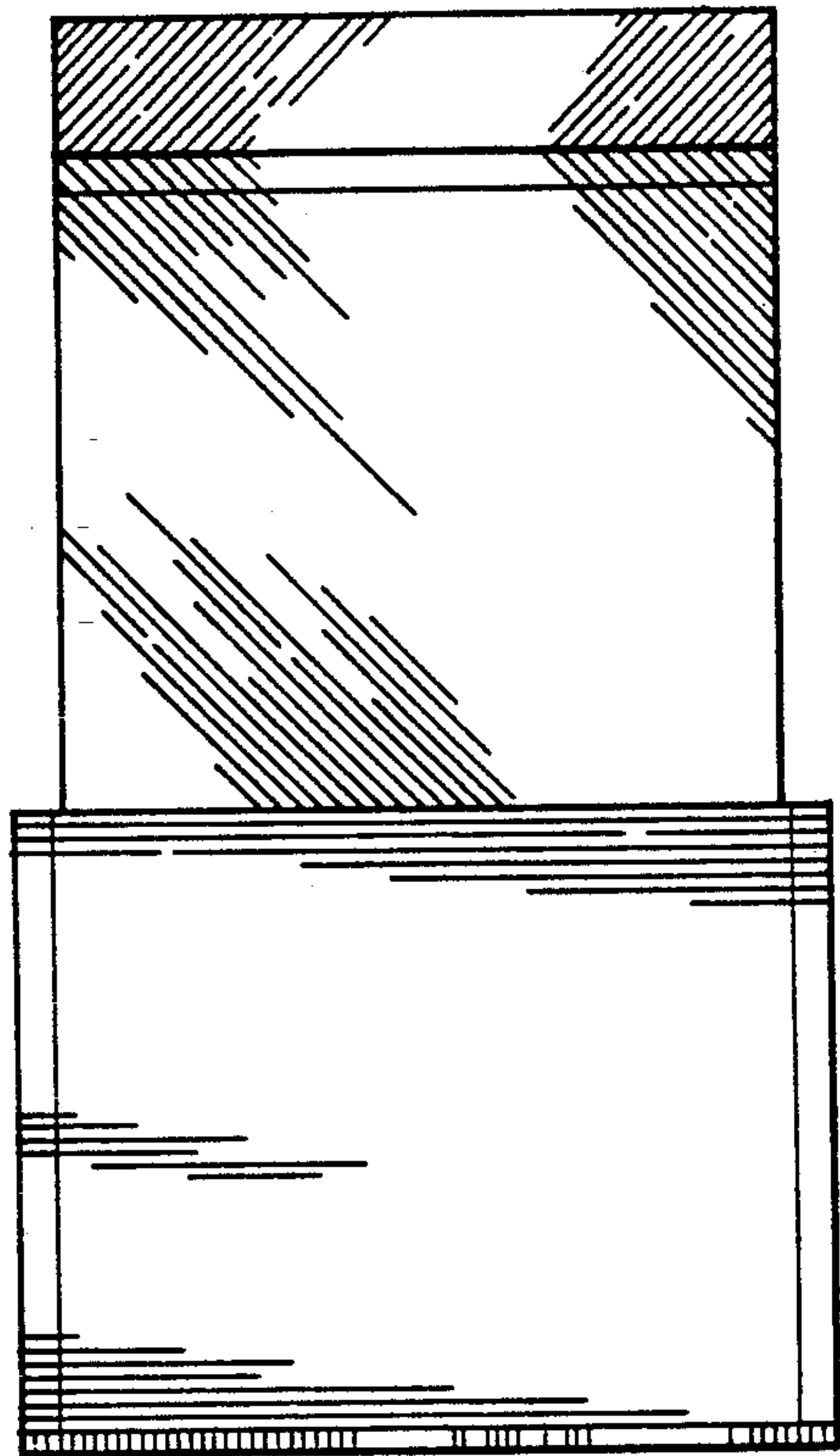


FIG. 3

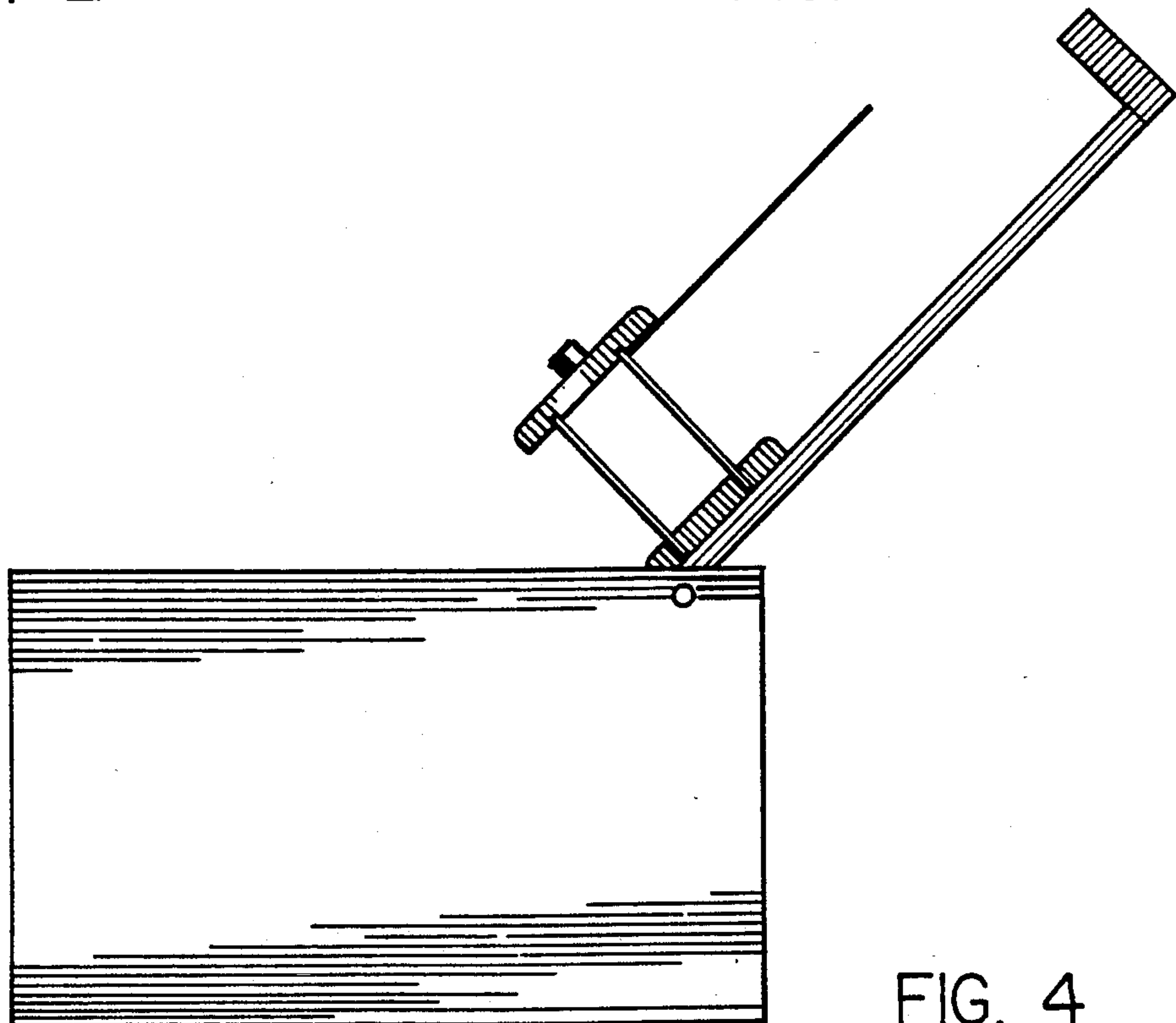


FIG. 4

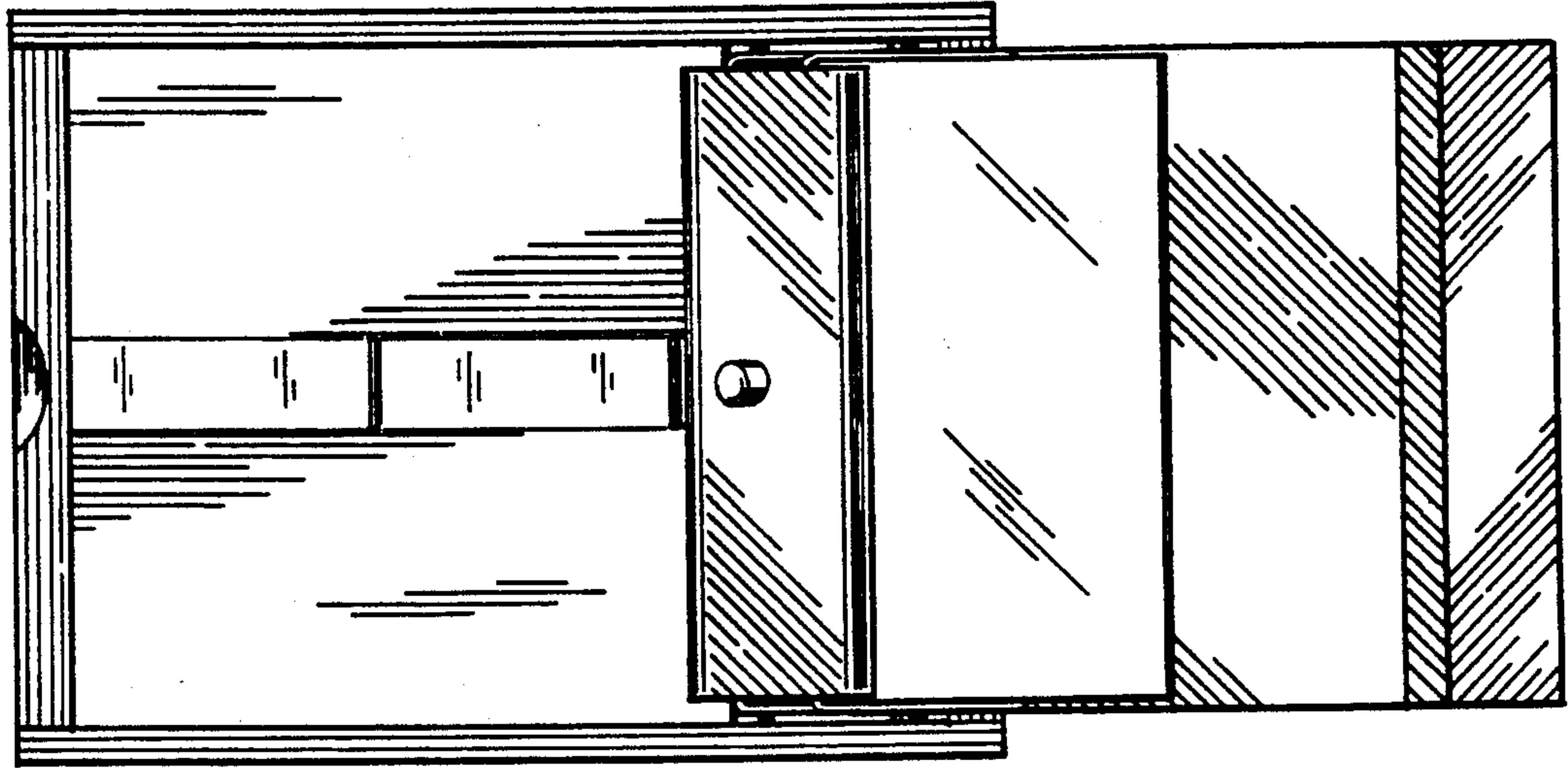


FIG. 5

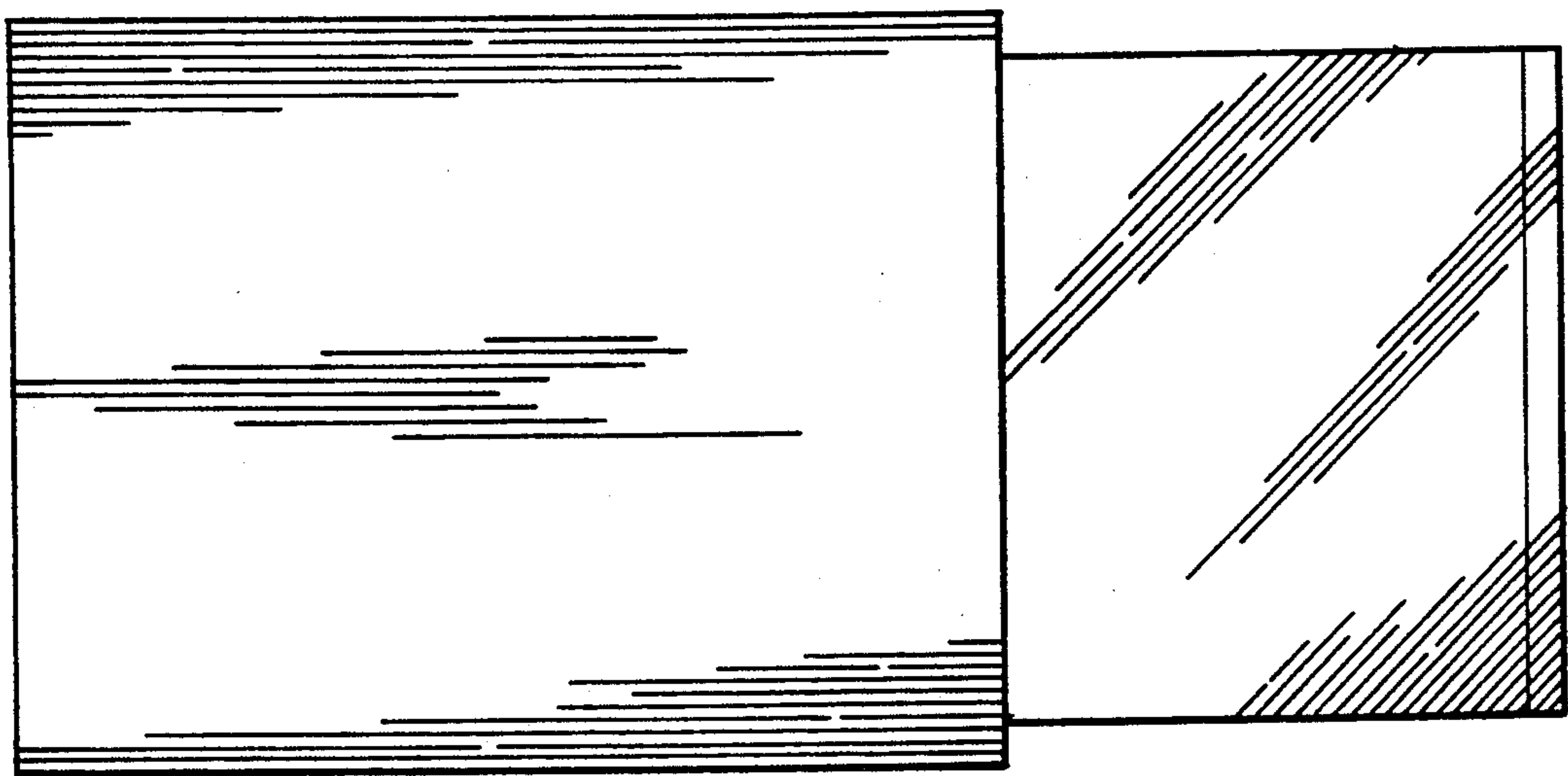


FIG. 6

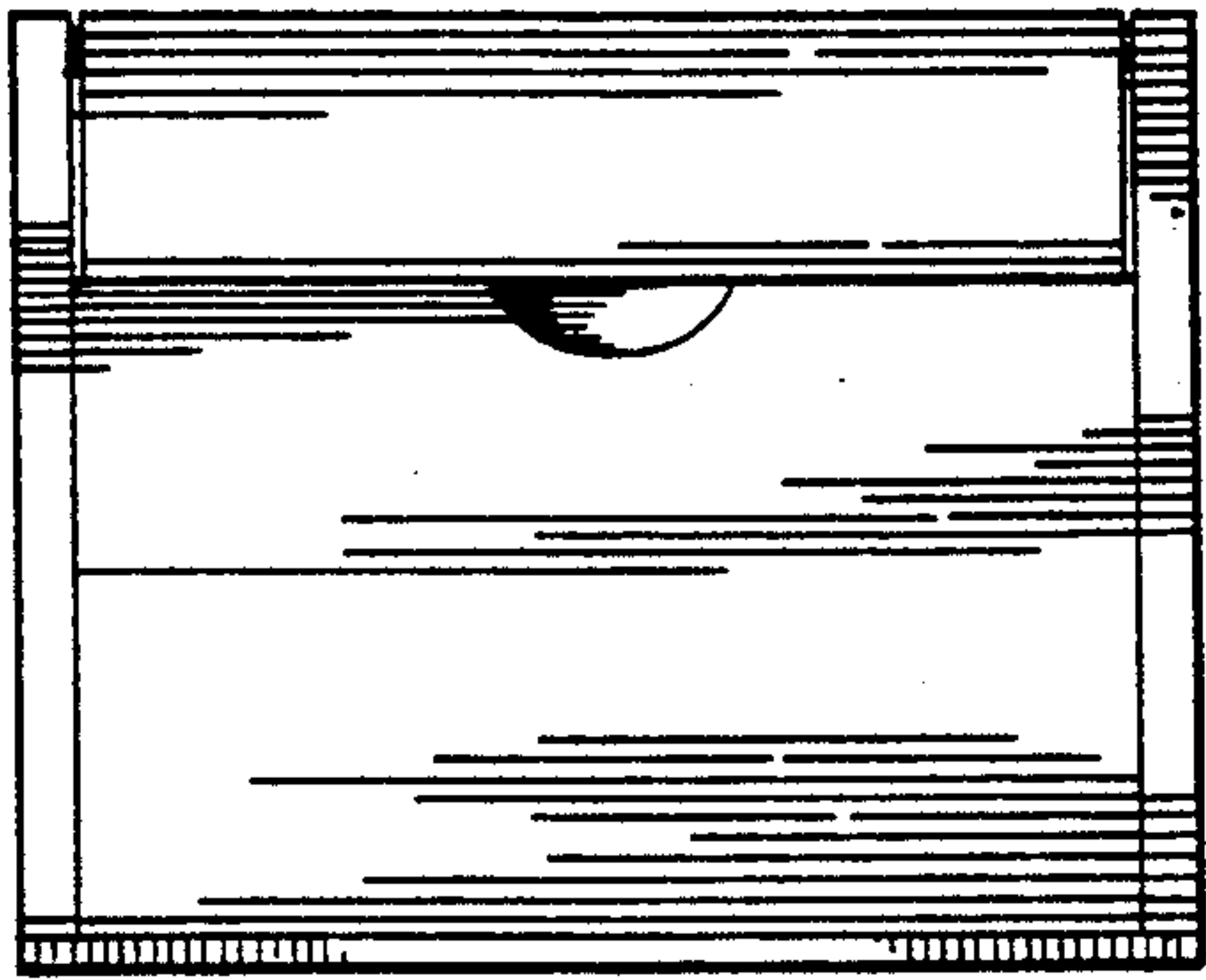


FIG. 7

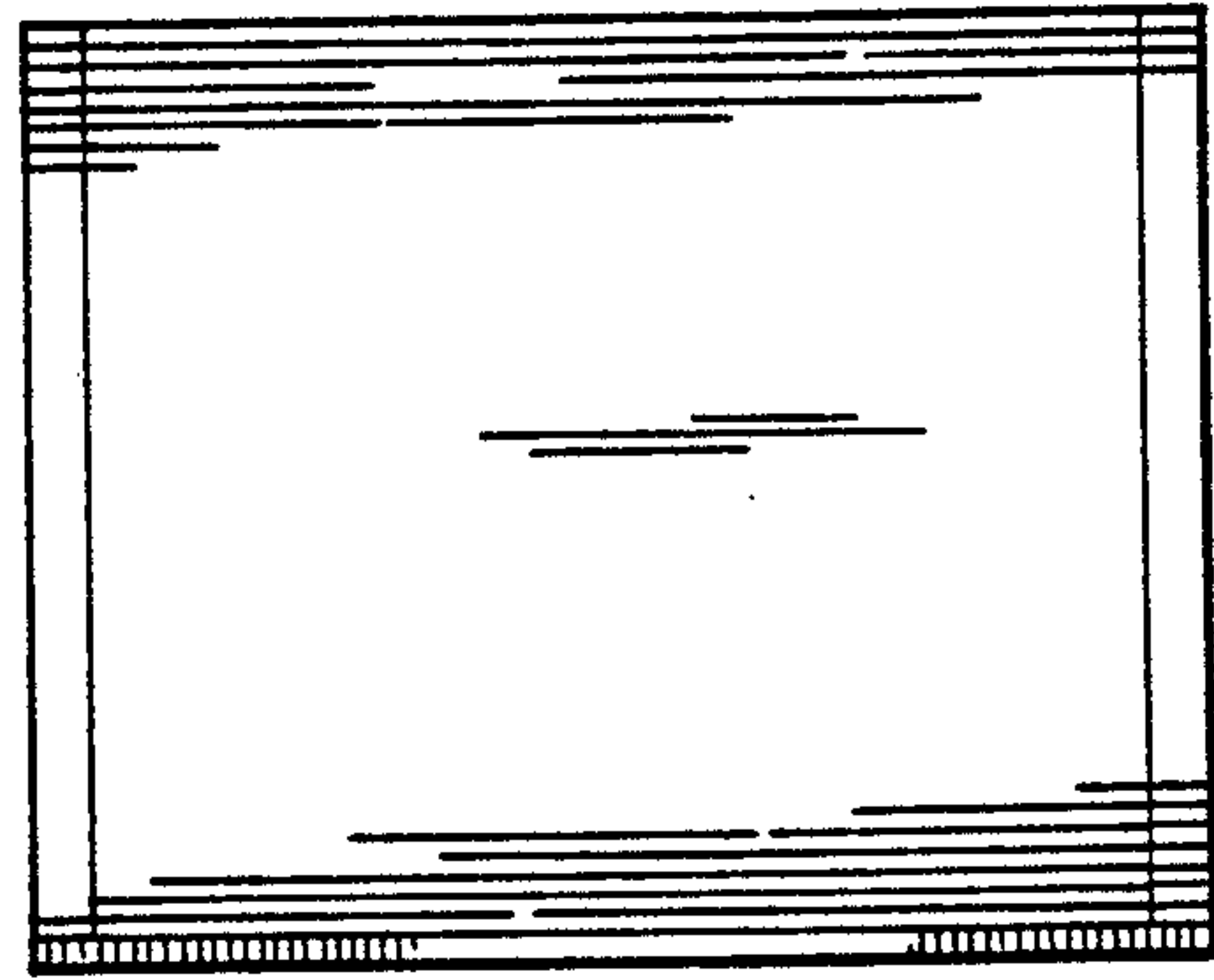


FIG. 8

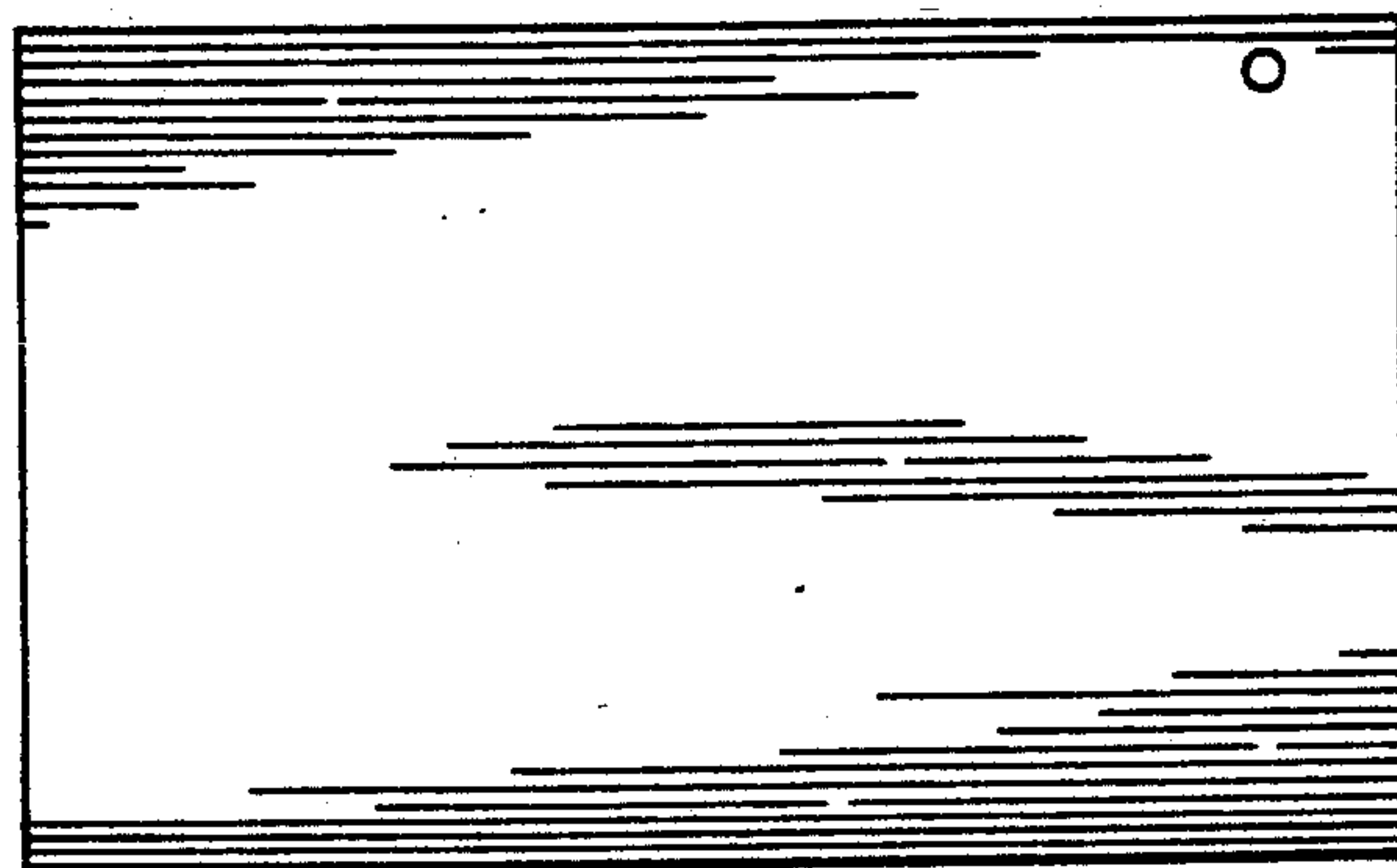


FIG. 9

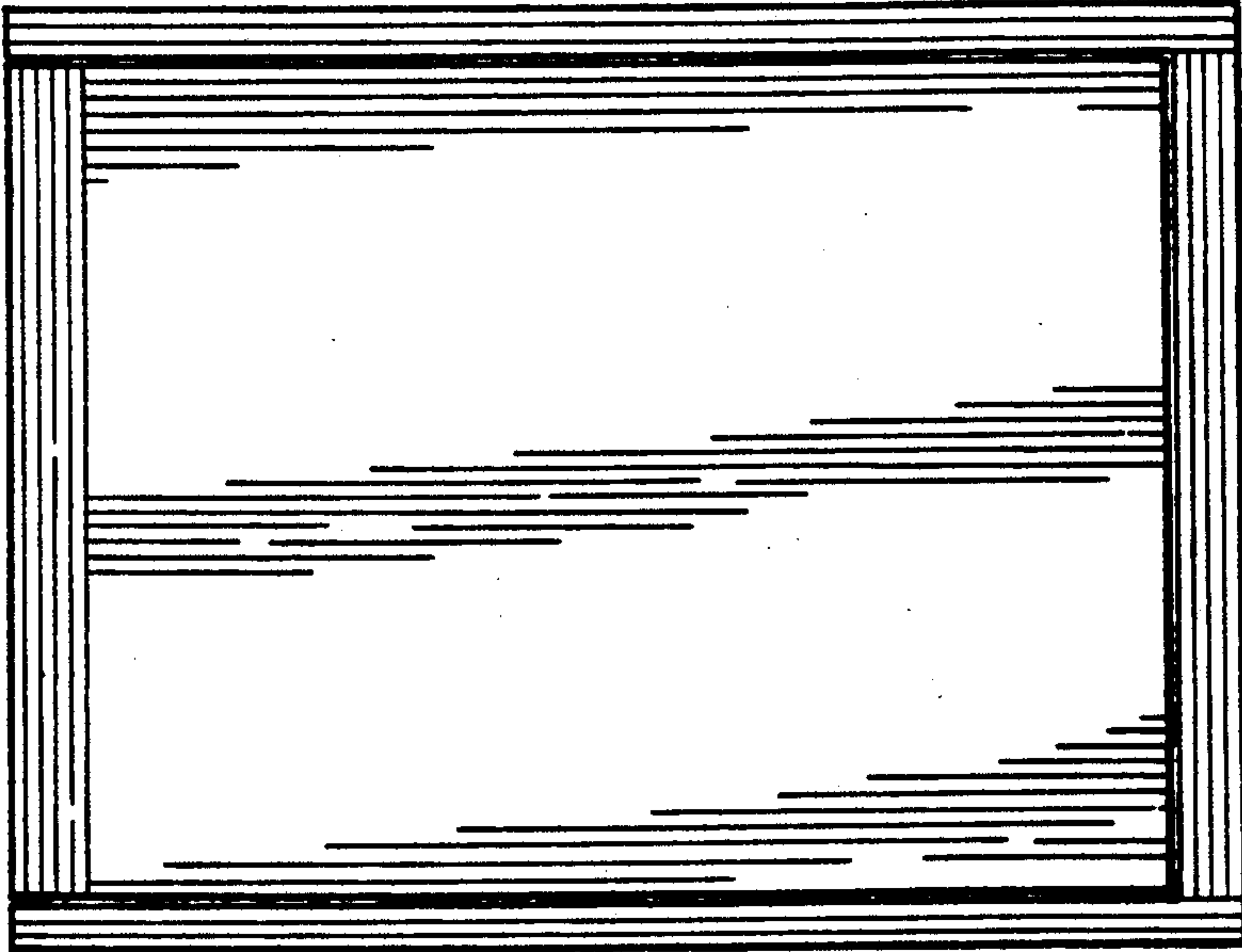


FIG. 10

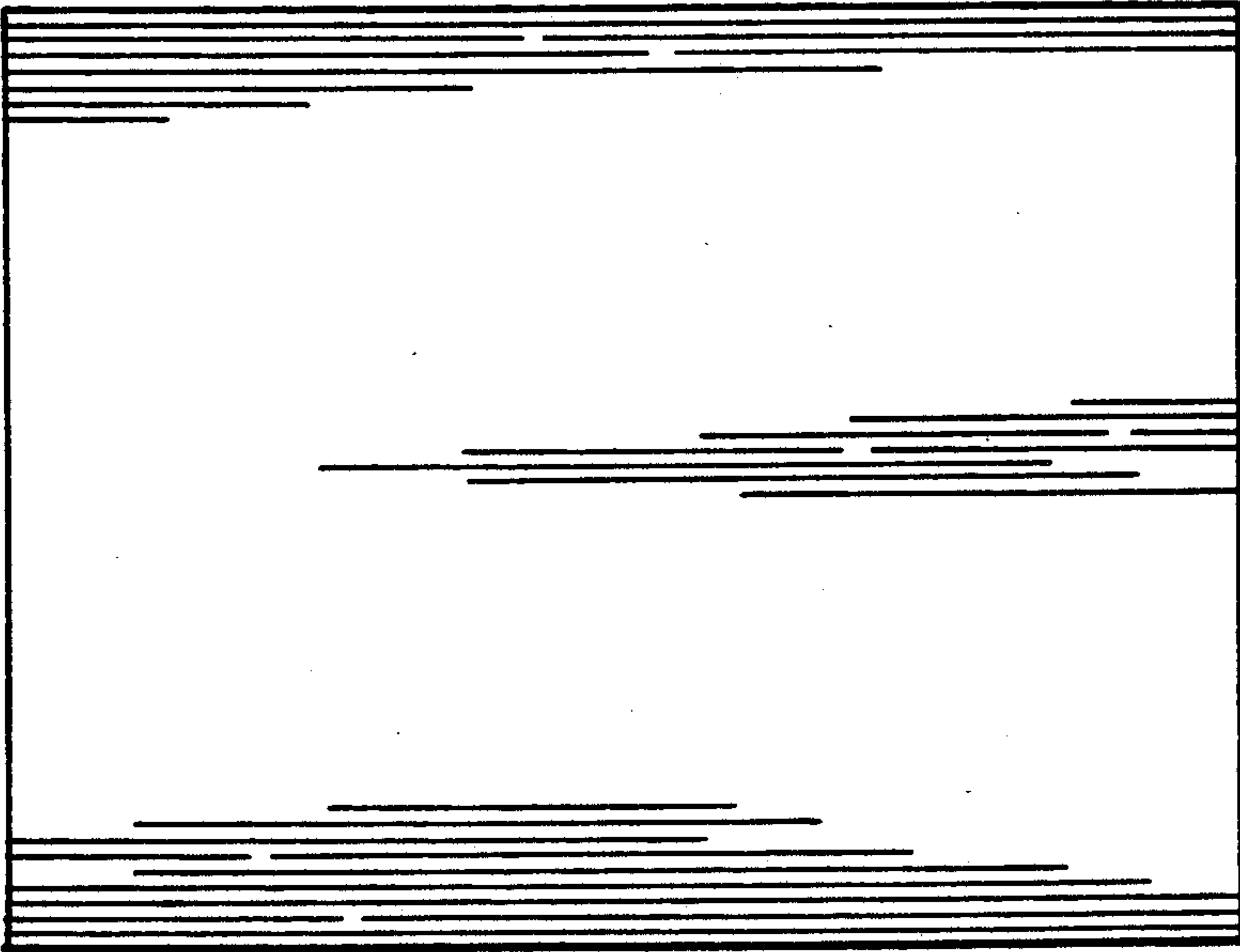


FIG. 11