



US00D333723S

United States Patent [19]

[11] Patent Number: **Des. 333,723**

Risner

[45] Date of Patent: **** Mar. 9, 1993**

[54] **HOLDER FOR FABRIC REELS**

[76] Inventor: **Mary E. Risner, P.O. Box 731,
Wheeler, Tex. 79096**

[**] Term: **14 Years**

[21] Appl. No.: **665,720**

[22] Filed: **Mar. 7, 1991**

[52] U.S. Cl. **D3/23; D6/457;
D6/466**

[58] Field of Search **242/55.54, 55.2, 134,
242/139, 141, 146; 269/244, 73, 900; D6/450,
466, 449, 396, 310-314, 455, 457-461;
D3/18-25, 26; 211/13, 163; D8/358, 360**

[56] **References Cited**

U.S. PATENT DOCUMENTS

D. 179,401	12/1956	Talbot	D3/18
D. 306,795	3/1990	Akin	D3/23
D. 309,056	7/1990	Peters	D3/25
2,096,168	10/1937	Ferber	242/55.2
2,561,376	7/1951	Johnson	242/55.2
3,162,390	12/1964	Meyer	242/55.54

3,517,827	6/1970	Crosslen et al.	211/163
3,656,700	4/1972	Gawin	242/67.1
3,779,504	12/1973	Schwartz et al.	D6/310 X
4,030,676	6/1977	Bardsle	242/55.54

FOREIGN PATENT DOCUMENTS

0874576 4/1953 Fed. Rep. of Germany D3/23 X

Primary Examiner—Alan P. Douglas
Assistant Examiner—Jeffrey Asch
Attorney, Agent, or Firm—Leon Gildea

[57] CLAIM

The ornamental design for a holder for fabric reels, as shown and described.

DESCRIPTION

FIG. 1 is a front elevational view of the holder for fabric reels showing my new design; FIG. 2 is a rear elevational view thereof; FIG. 3 is a left side elevational view thereof; FIG. 4 is a right side elevational view thereof; FIG. 5 is a top plan view thereof; FIG. 6 is a bottom plan view thereof; and, FIG. 7 is a perspective view thereof.

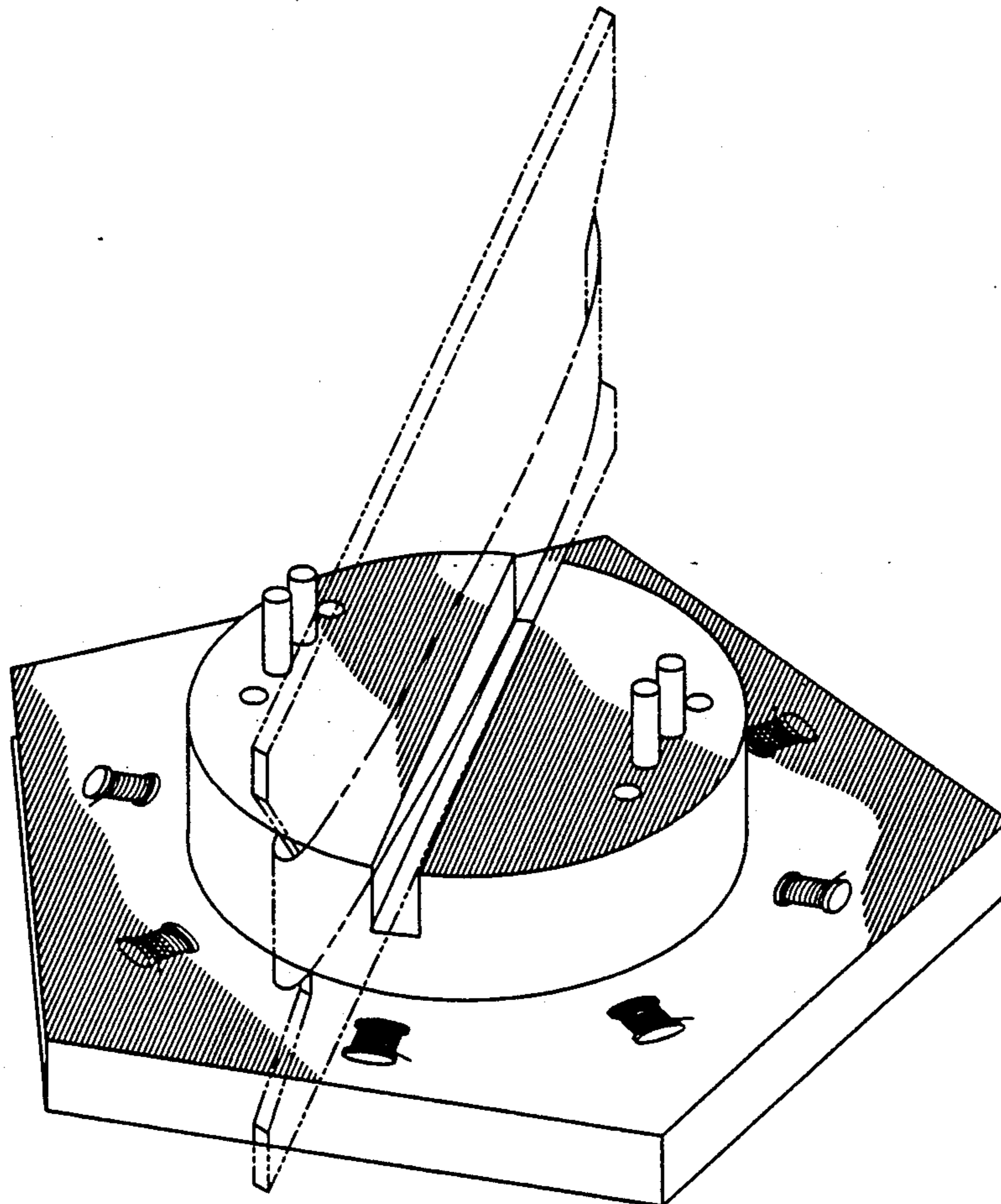


FIG. 1

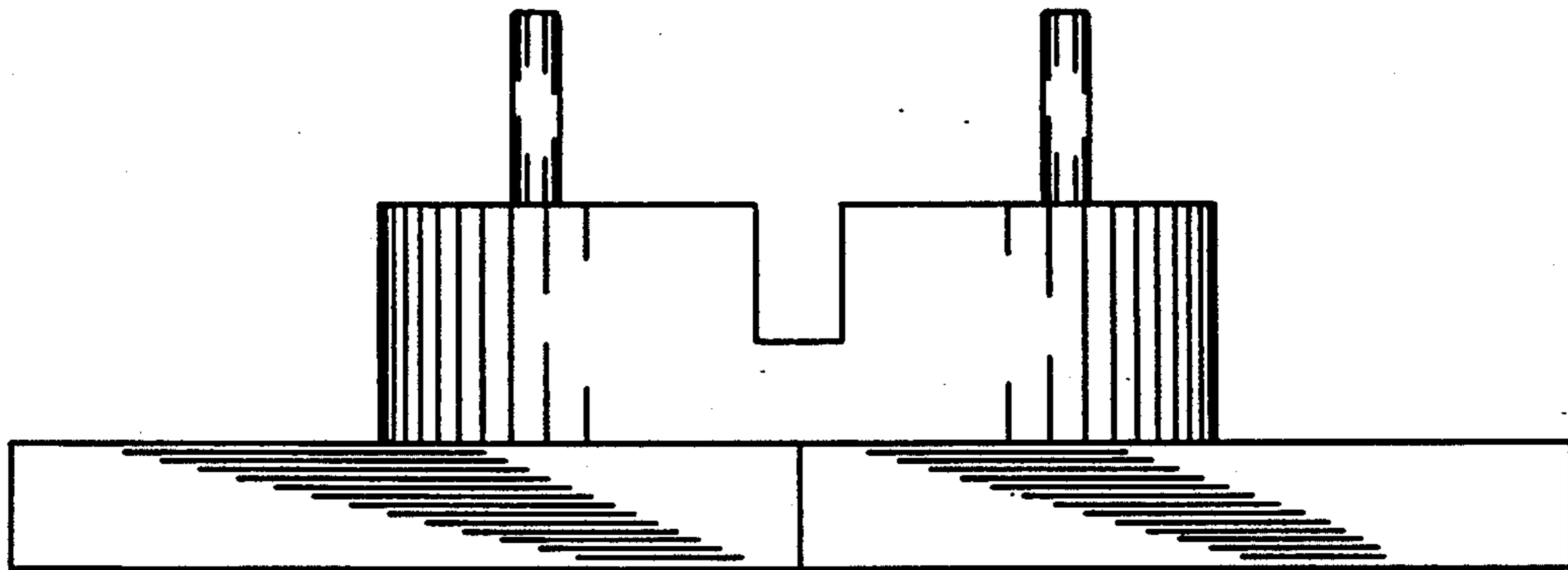


FIG. 2

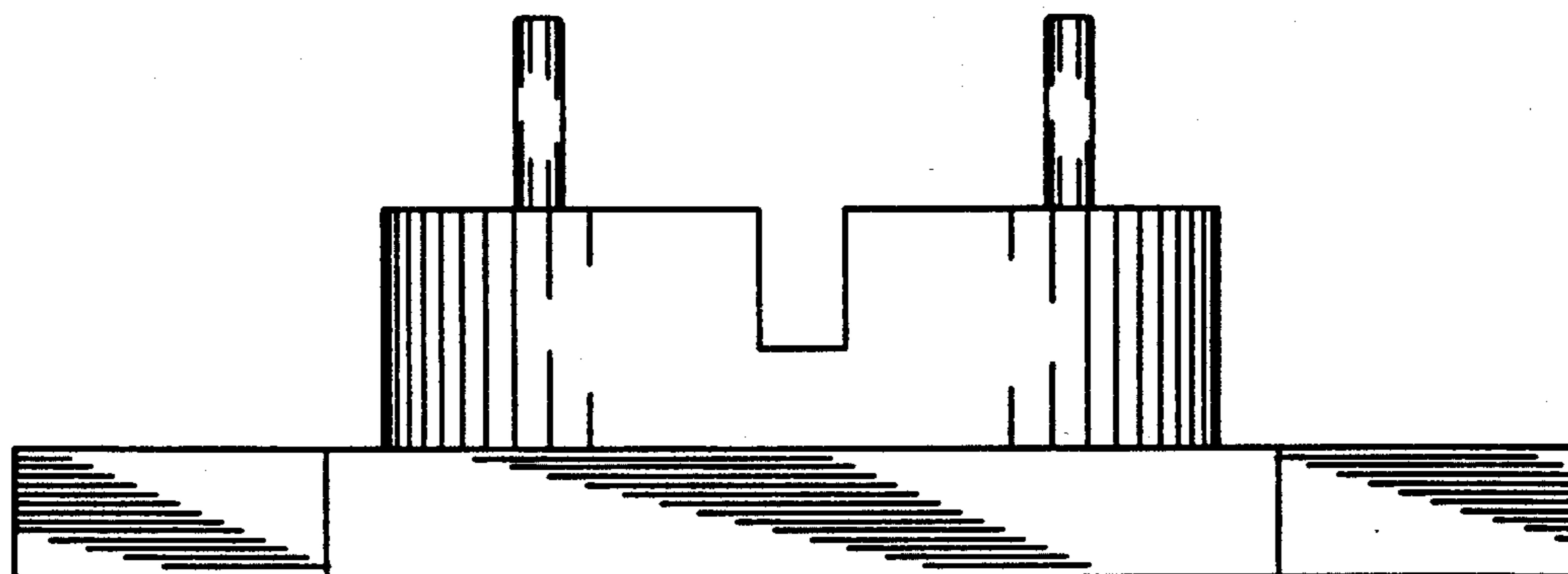


FIG. 3

FIG. 4

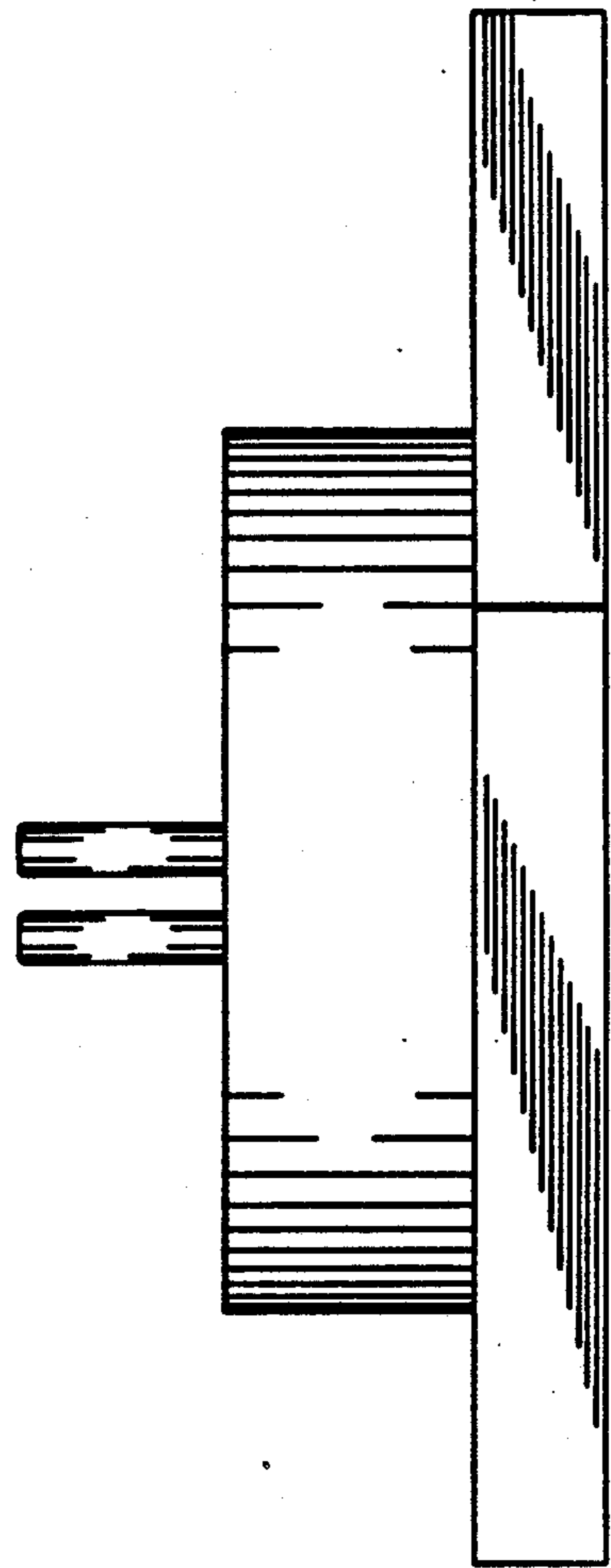
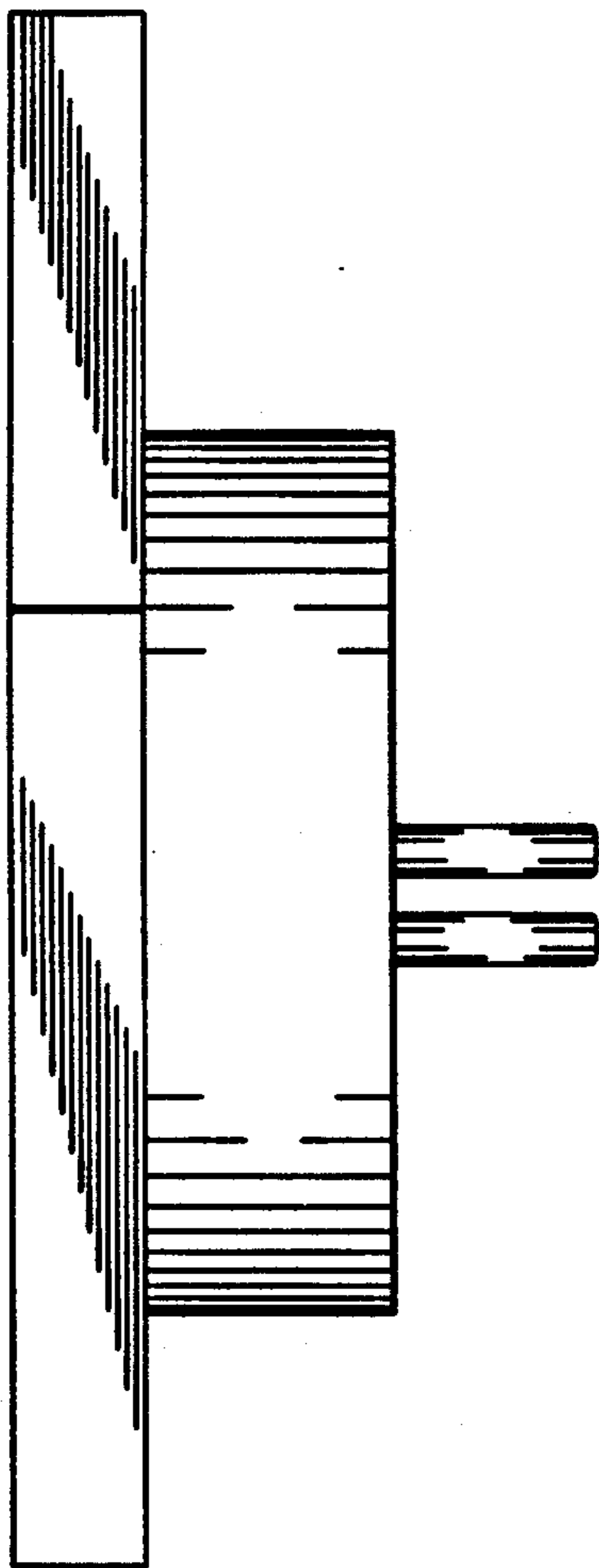


FIG. 5

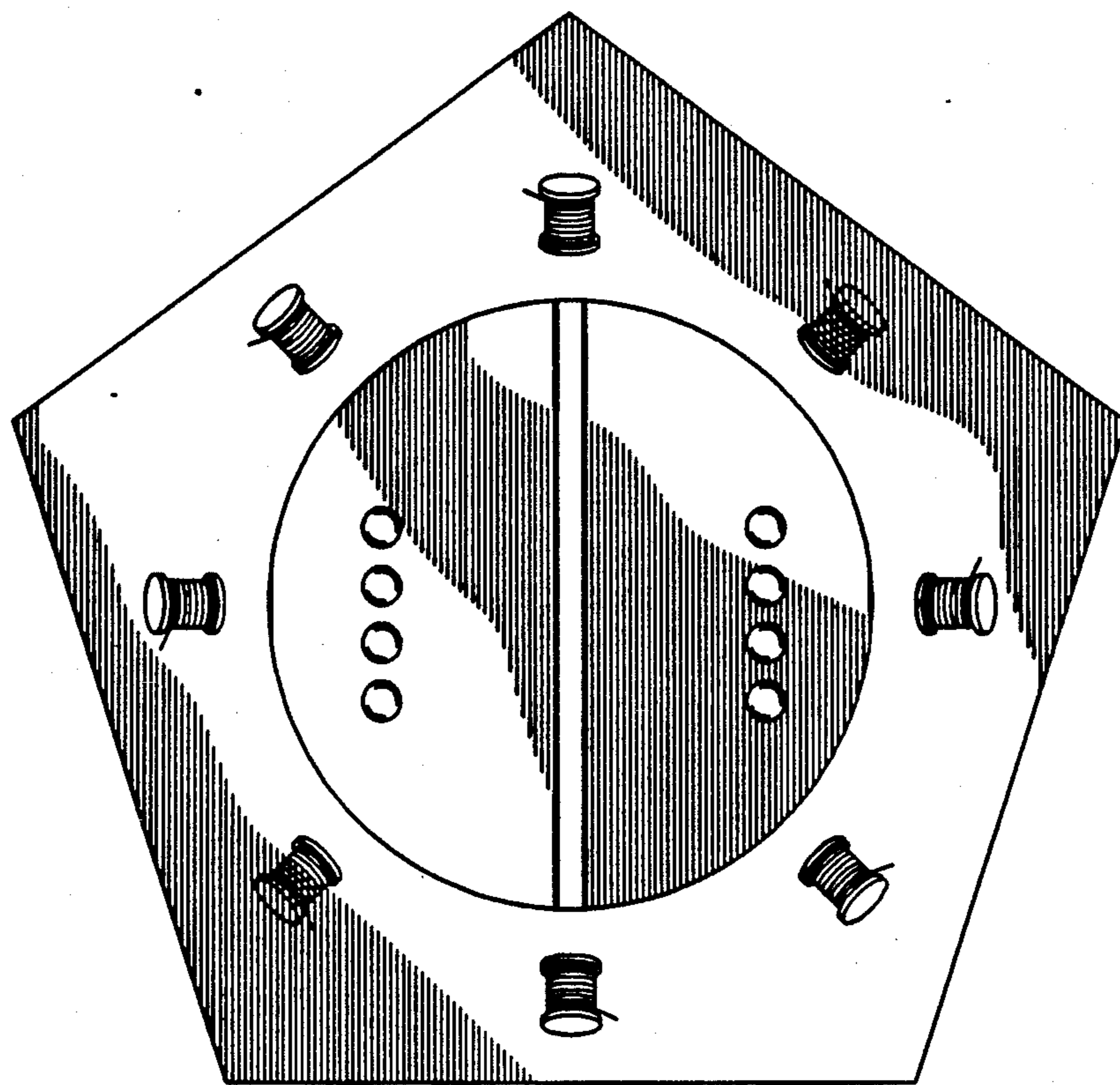


FIG. 6

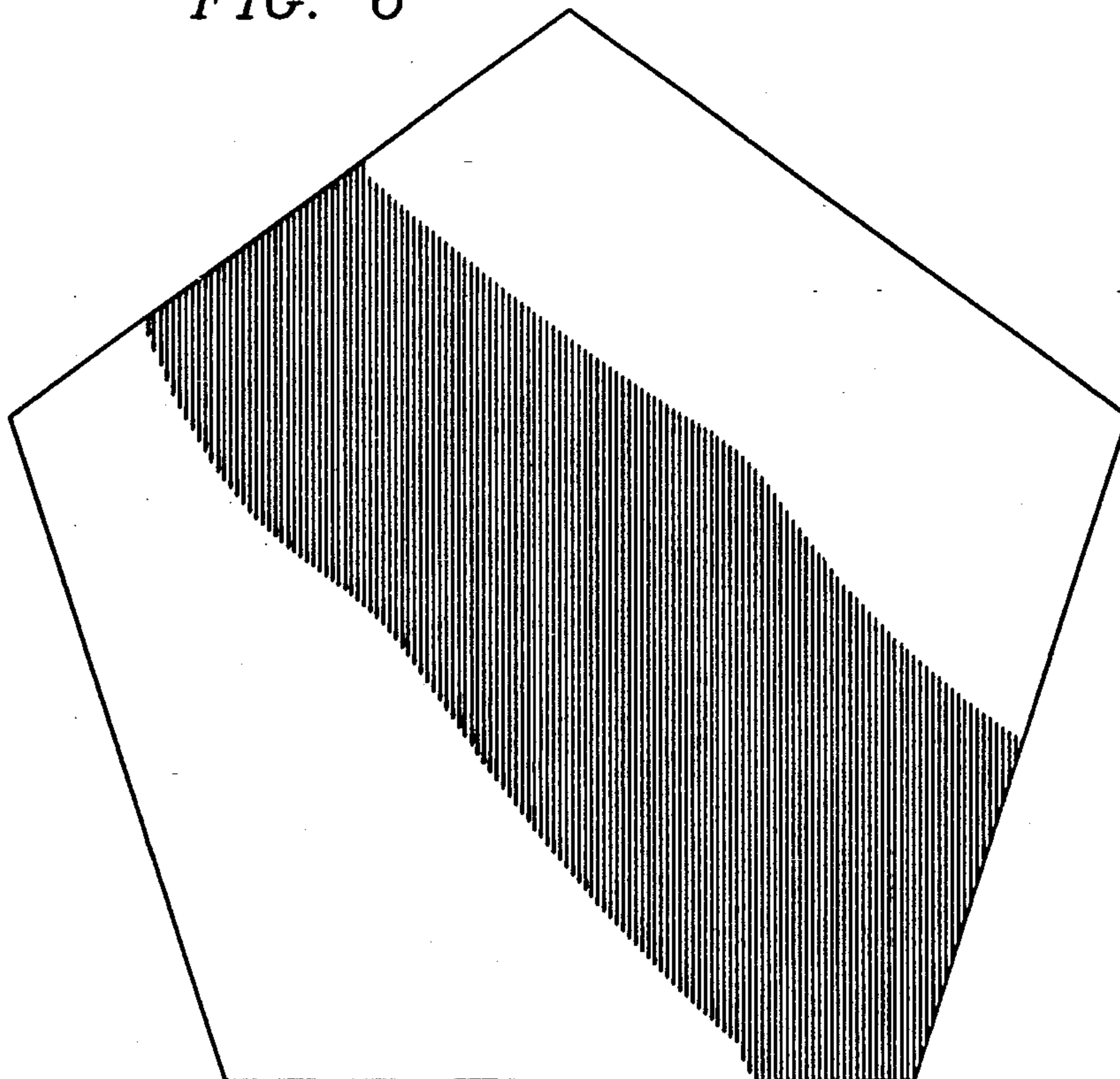


FIG. 7

