



US00D333714S

United States Patent [19]

[11] Patent Number: **Des. 333,714**

Pizzo

[45] Date of Patent: **** Mar. 2, 1993**

[54] TRASH CONTAINER LINER RETAINING RING

4,917,263 4/1990 Korb 220/908
4,953,740 9/1990 Koda 220/263

[76] Inventor: **John Pizzo**, 9650 Jerome Dr., New Port Richey, Fla. 34654

Primary Examiner—Kay H. Chin
Attorney, Agent, or Firm—Terry M. Gernstein

[**] Term: **14 Years**

[57] **CLAIM**

[21] Appl. No.: **718,857**

The ornamental design for a trash container liner retaining ring, as shown and described.

[22] Filed: **Jun. 21, 1991**

[52] U.S. Cl. **D34/10**

DESCRIPTION

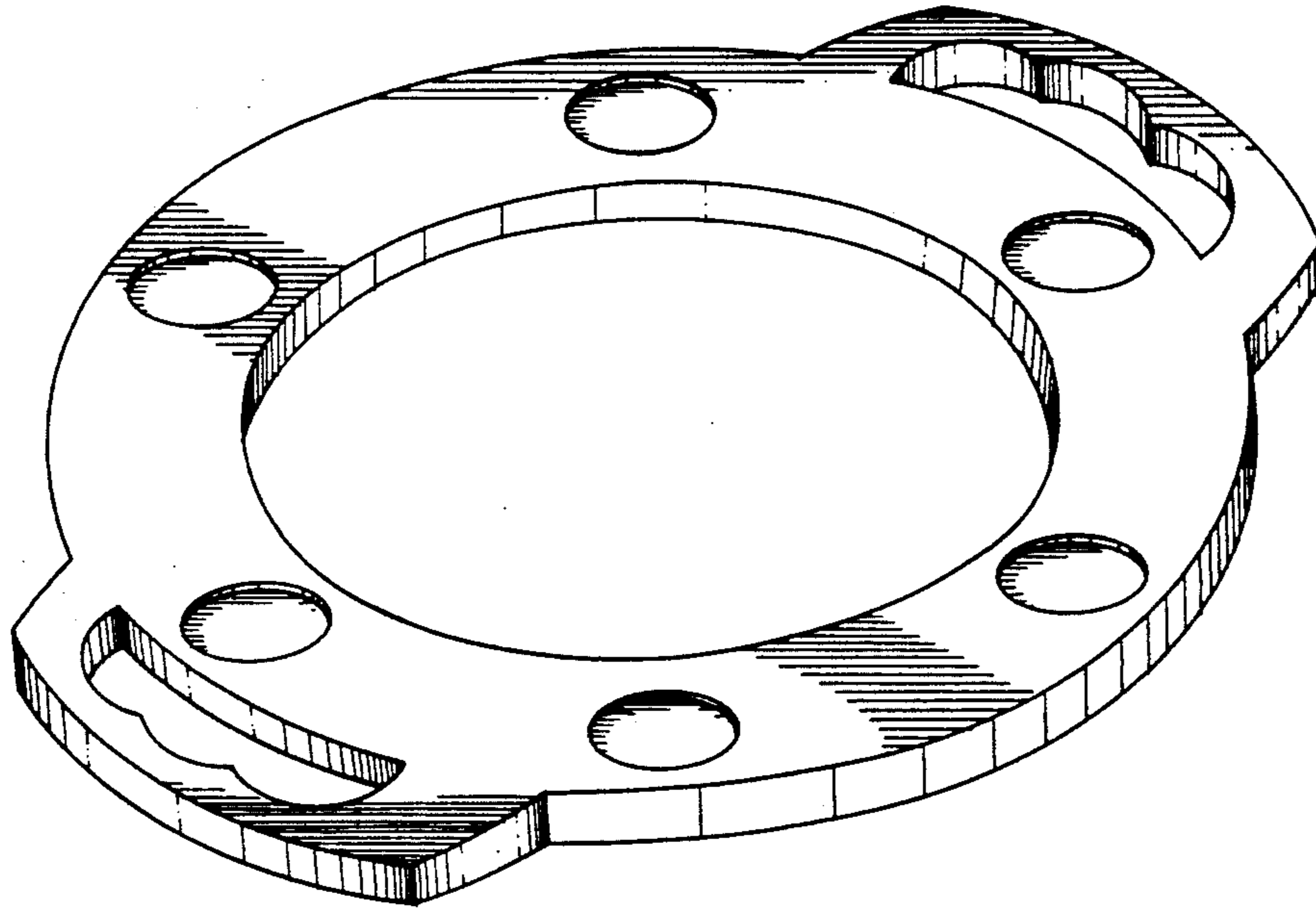
[58] Field of Search D34/1-11;
248/95, 99; 220/908, 403, 404, 400, 263;
D9/434, 443

FIG. 1 is a top perspective view of a trash container liner retaining ring showing my new design;
FIG. 2 is a front elevational view thereof, the rear elevational view being a mirror image of that shown;
FIG. 3 is a side elevational view, thereof, the opposite side elevational view being a mirror image of that shown; and,
FIG. 4 is a top view thereof, the bottom plan view being a mirror image of that shown.

[56] **References Cited**

U.S. PATENT DOCUMENTS

4,196,880 4/1980 Hynes 248/99
4,558,800 12/1985 Isgar 220/403
4,723,740 2/1988 Courtemanche 248/95



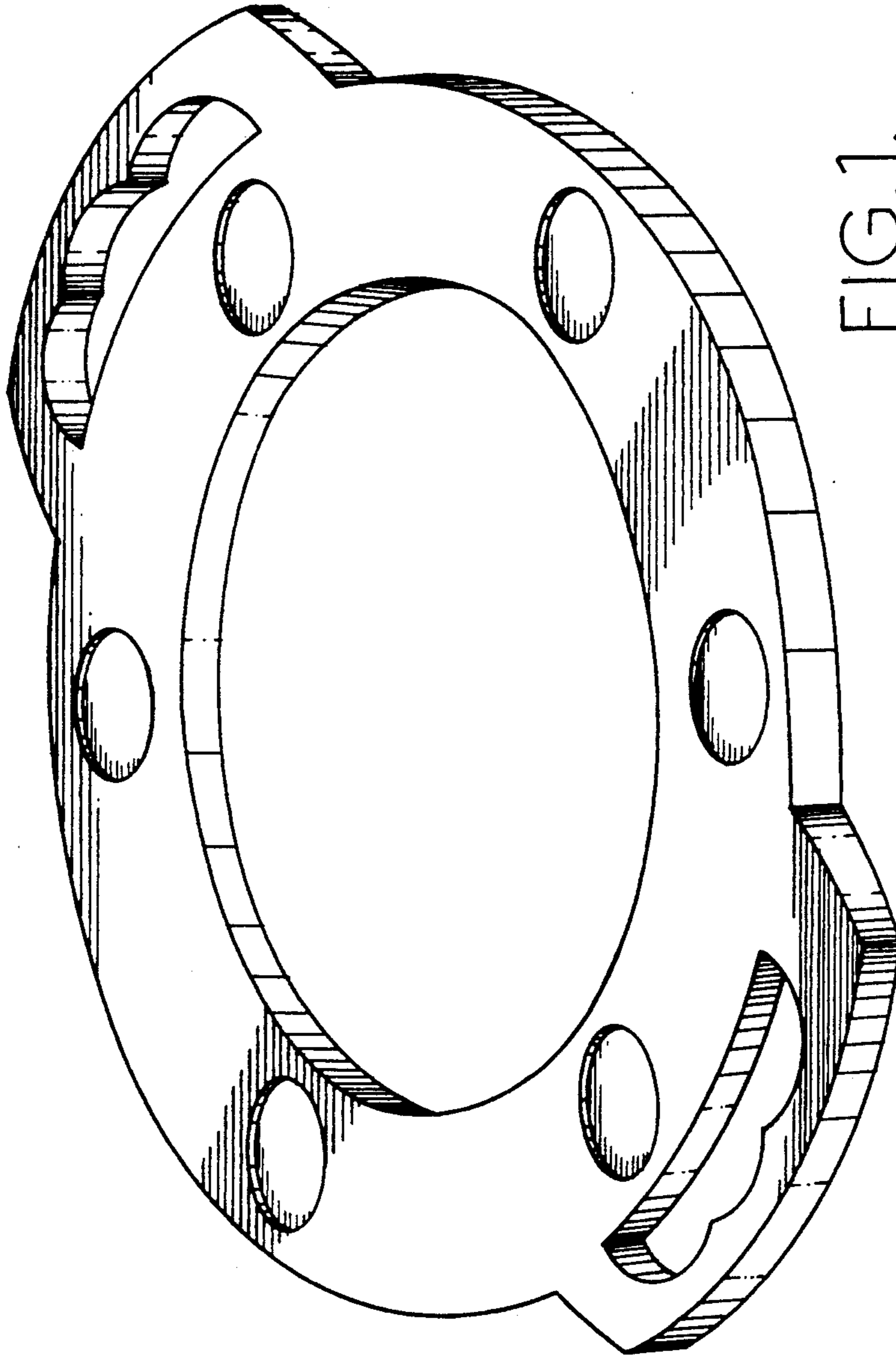


FIG.1.

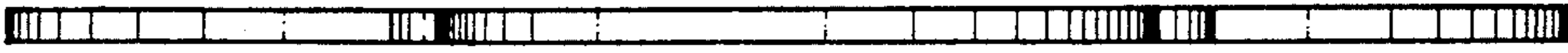


FIG. 3.

FIG. 4.

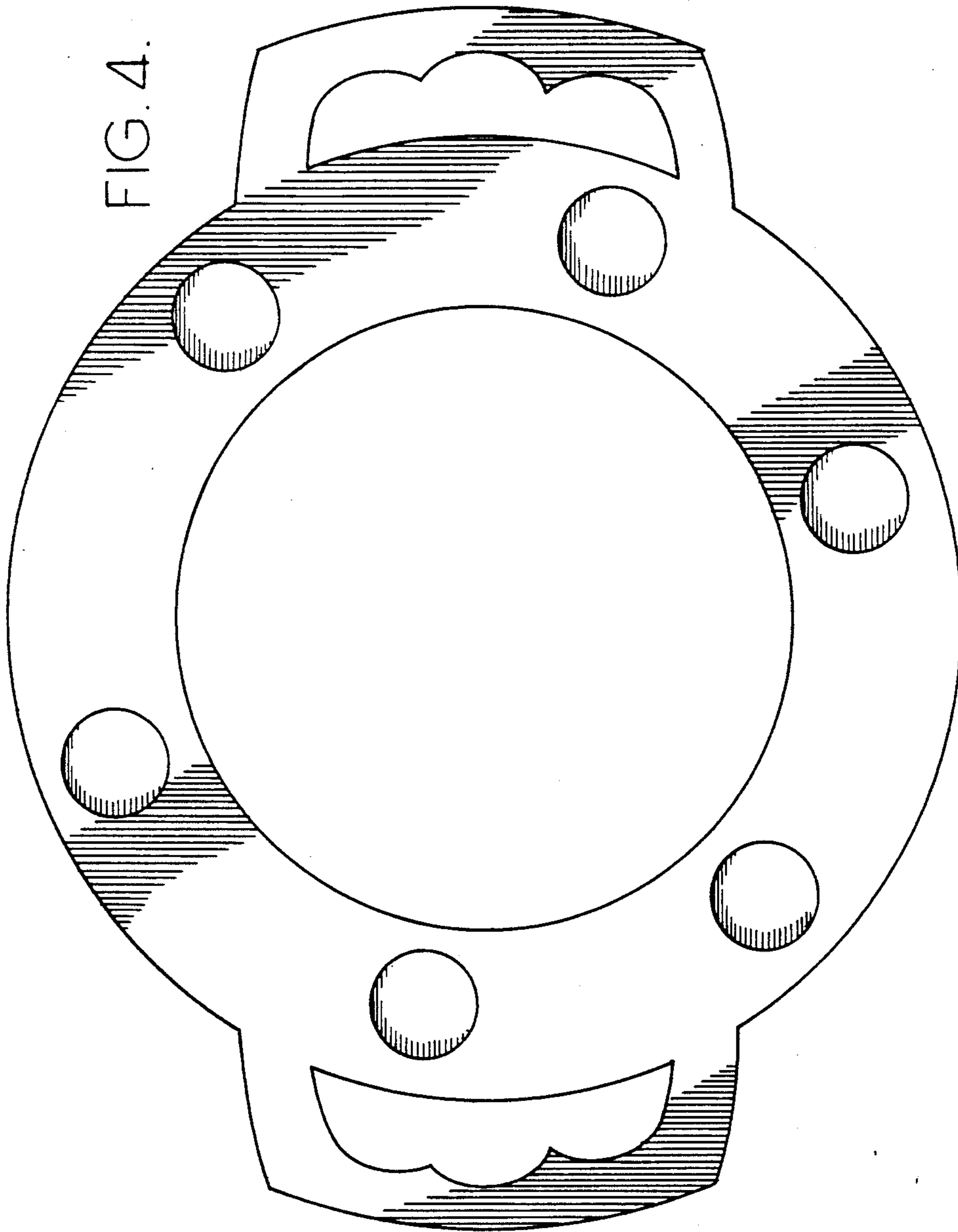


FIG. 2.

