



US00D333713S

# United States Patent [19]

[11] Patent Number: **Des. 333,713**

**Blakemore**

[45] Date of Patent: **\*\* Mar. 2, 1993**

[54] **COMPAST TUMBLER**

[56] **References Cited**

[75] Inventor: **Grant Blakemore, Charlton, United Kingdom**

**U.S. PATENT DOCUMENTS**

D. 248,611	7/1978	Dingwall	.....	D34/7
D. 258,258	2/1981	Haddock	.....	D34/7
D. 329,111	9/1992	Urquidi et al.	.....	D34/1
4,105,412	8/1978	Petzinger	.....	435/313

[73] Assignee: **Blackwall Products Ltd., London, United Kingdom**

*Primary Examiner*—Kay H. Chin  
*Attorney, Agent, or Firm*—Christie, Parker & Hale

[\*\*] Term: **14 Years**

[57] **CLAIM**

The ornamental design for a compost tumbler, as shown and described.

[21] Appl. No.: **738,277**

### DESCRIPTION

[22] Filed: **Jul. 30, 1991**

FIG. 1 is a top perspective view of compost tumbler showing our new design;  
 FIG. 2 is a bottom perspective view thereof;  
 FIG. 3 is a front perspective view thereof, the rear view being a mirror image of that shown;  
 FIG. 4 is a side perspective view thereof, the opposite side view being a mirror image of that shown;  
 FIG. 5 is a top perspective view thereof with the lid removed; and,  
 FIG. 6 is a side and front perspective view thereof.

[30] **Foreign Application Priority Data**

Jul. 24, 1991 [GB] United Kingdom ..... 2016184

[52] U.S. Cl. .... **D34/1; D8/1**

[58] Field of Search ..... **D34/1-11; D8/1; 52/192, 245, 19, 20; 220/908, DIG. 27, 501; 47/83, 9**

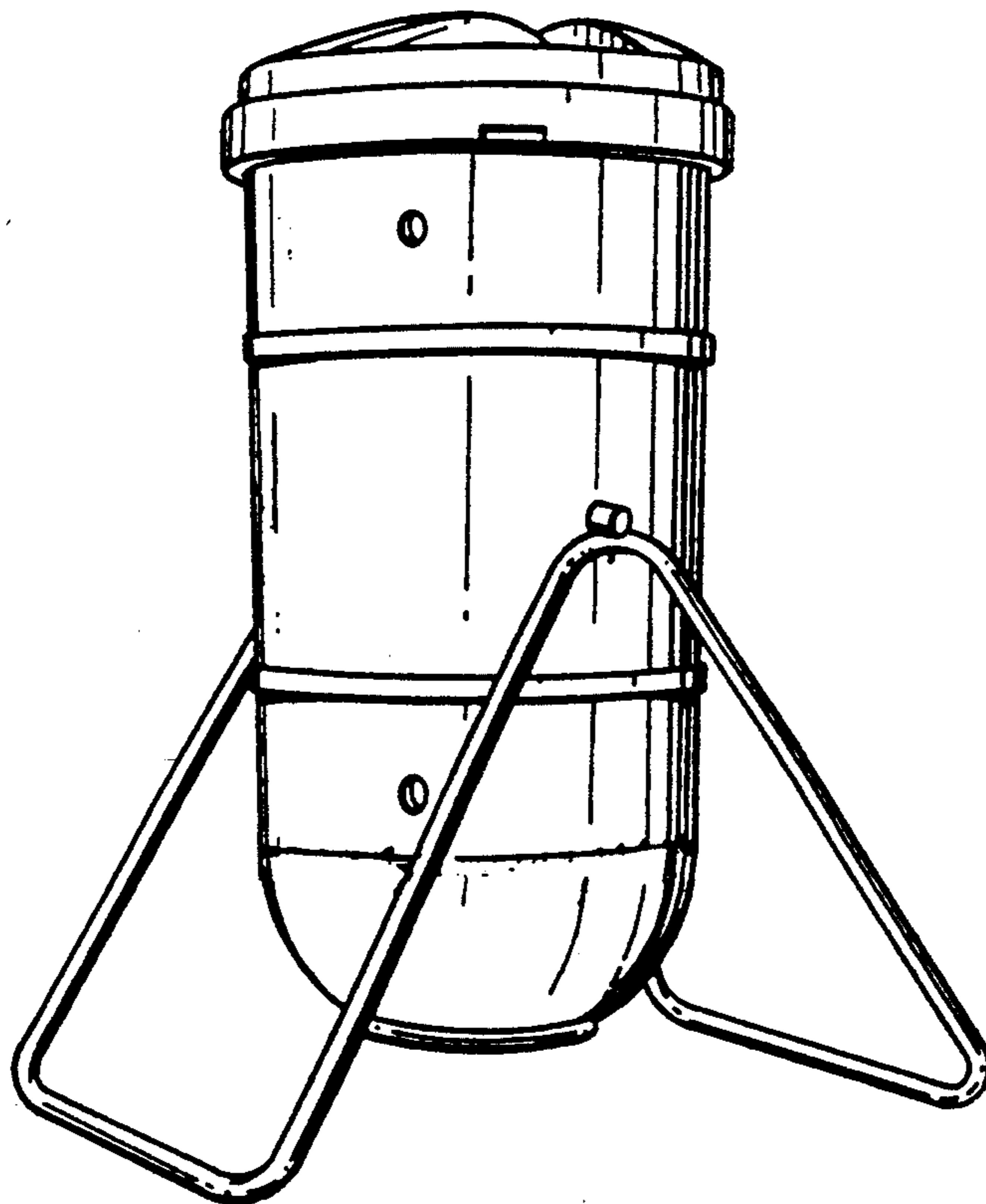


FIG. 1

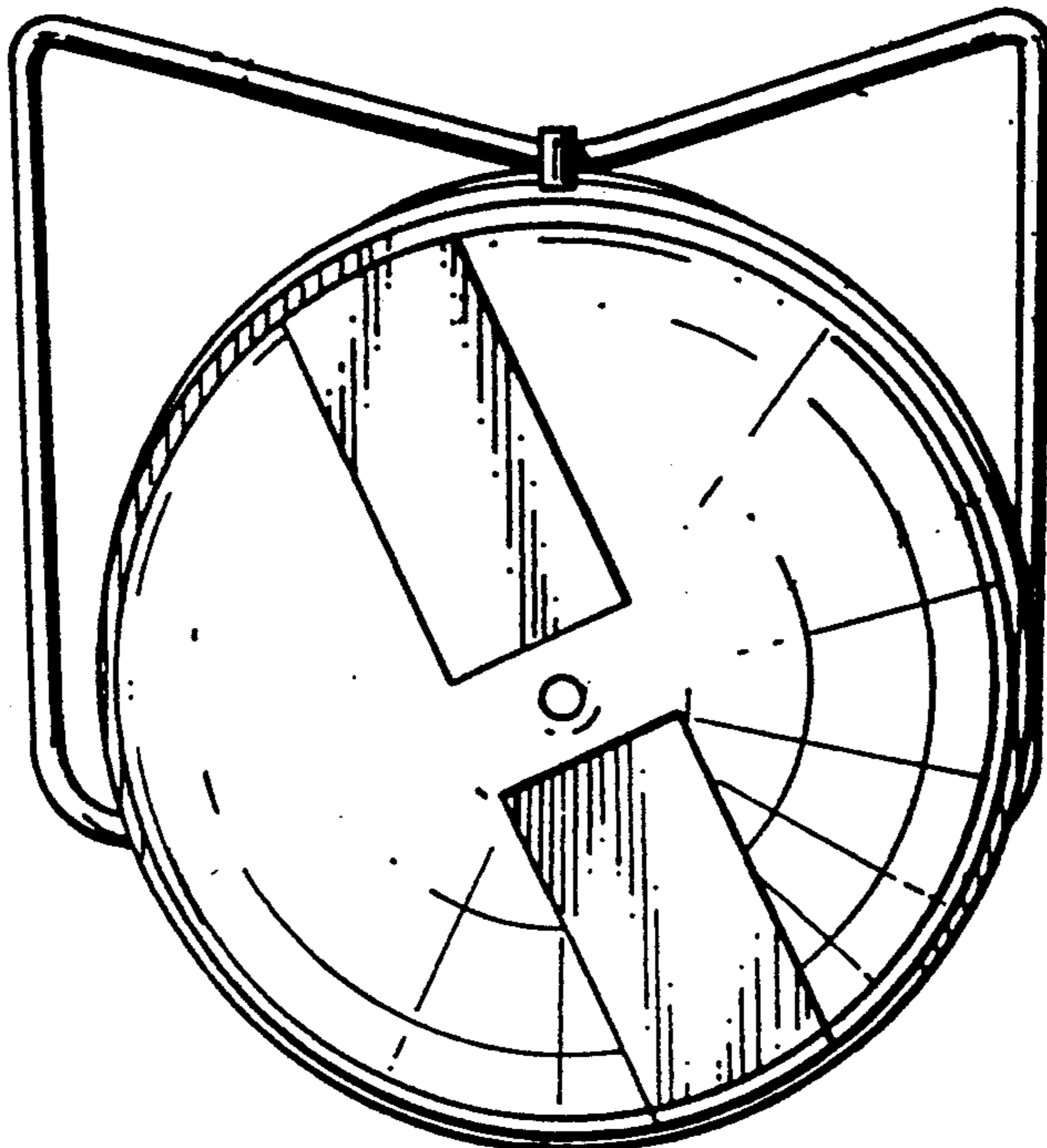


FIG. 2

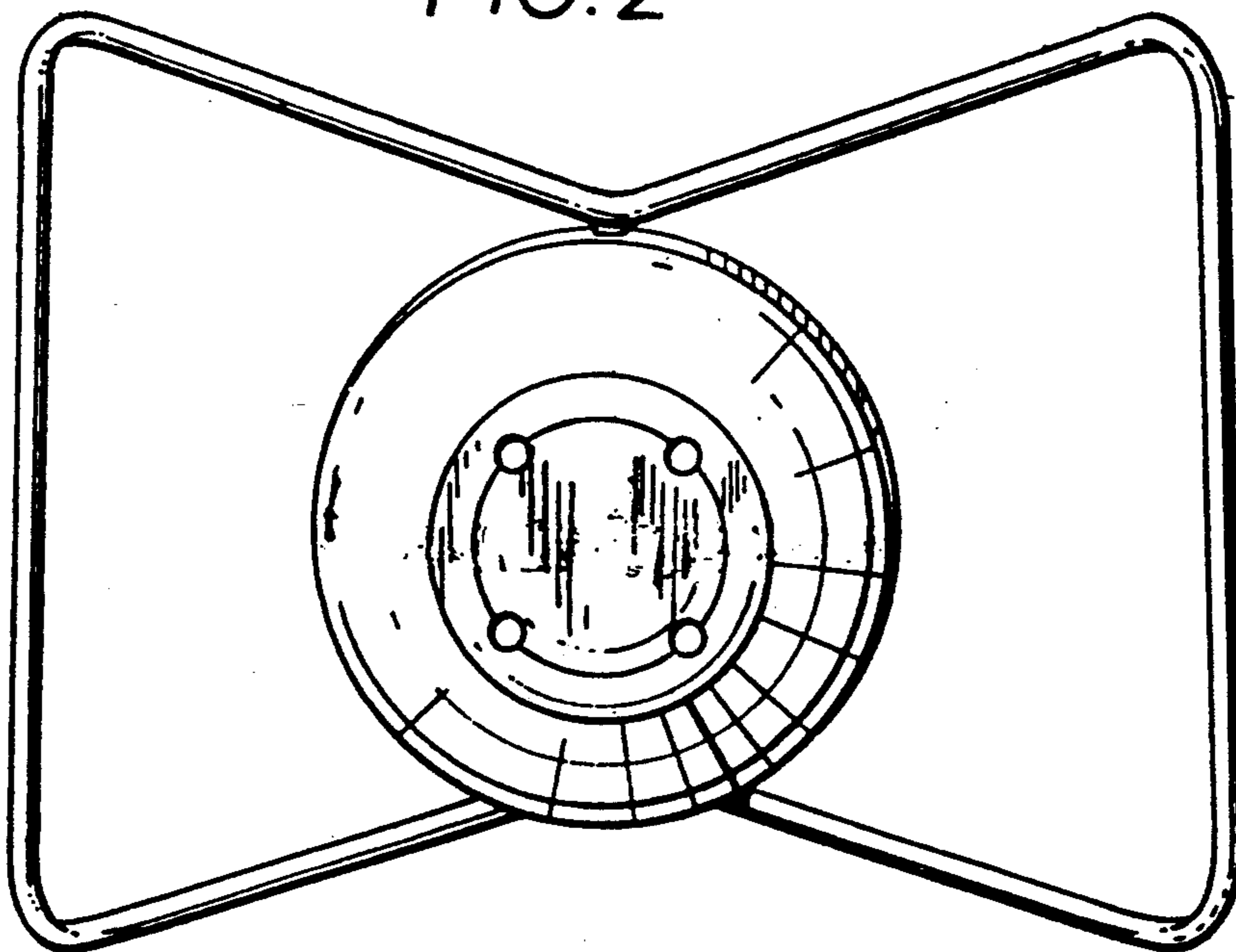


FIG. 4

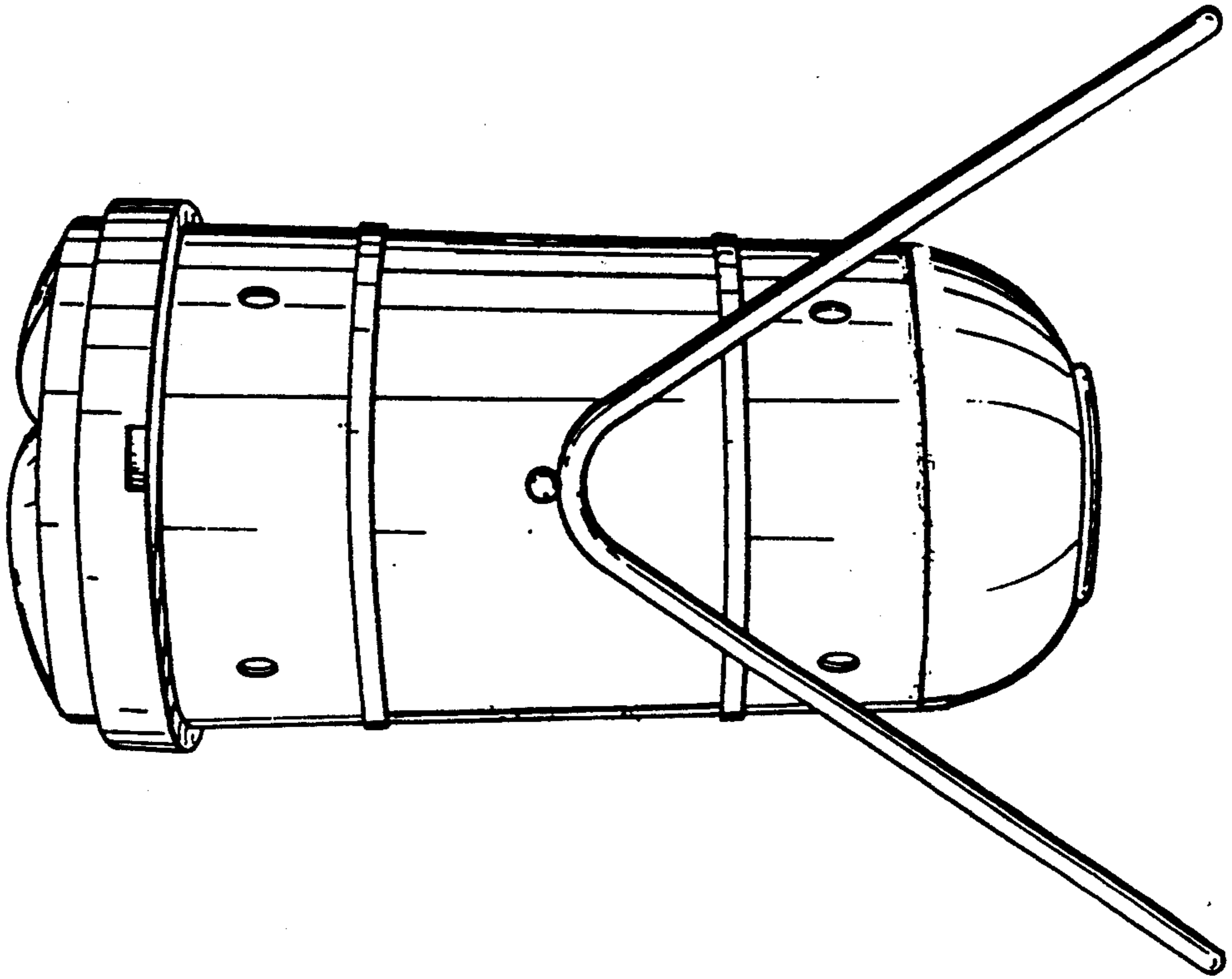


FIG. 3

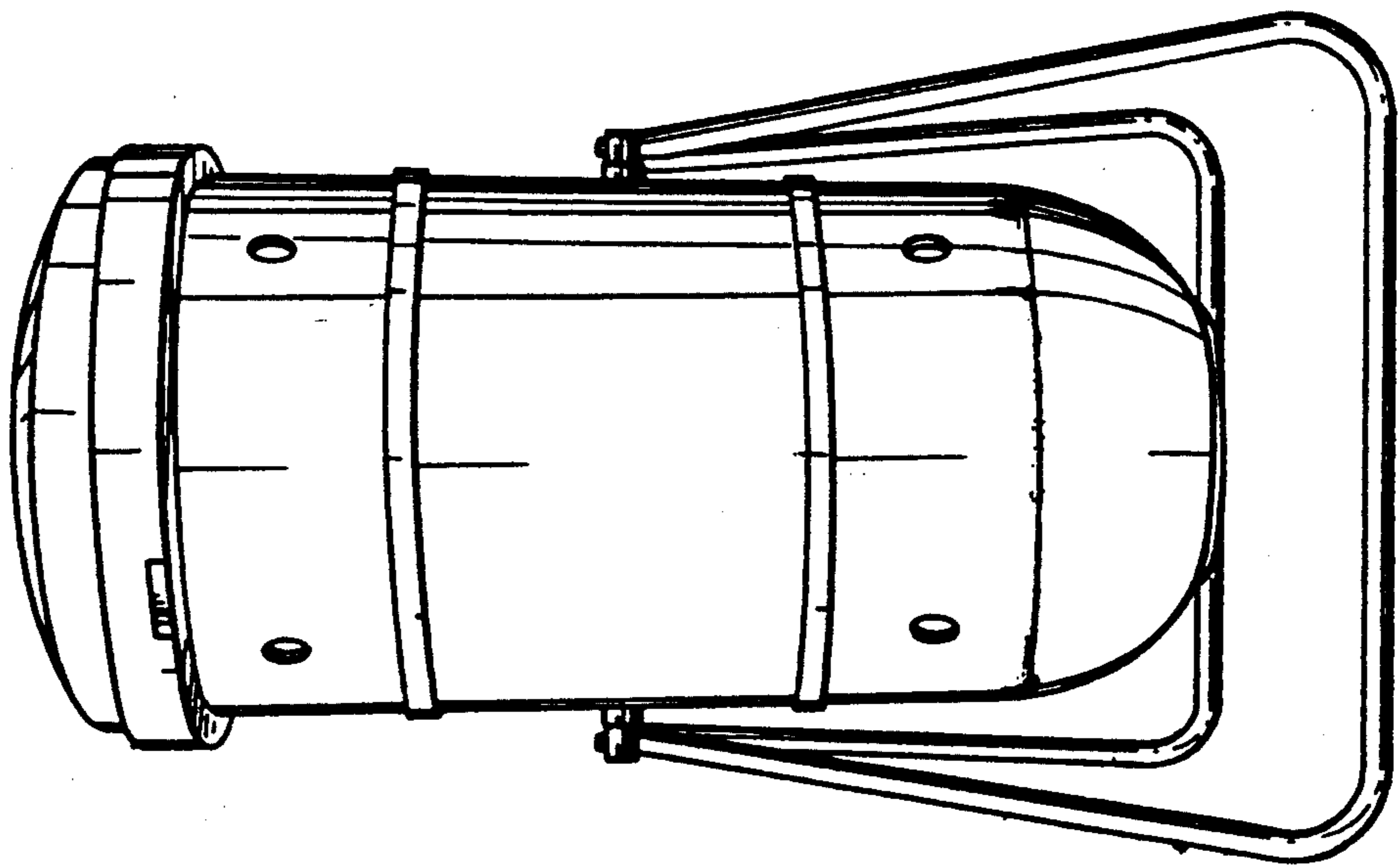


FIG.6

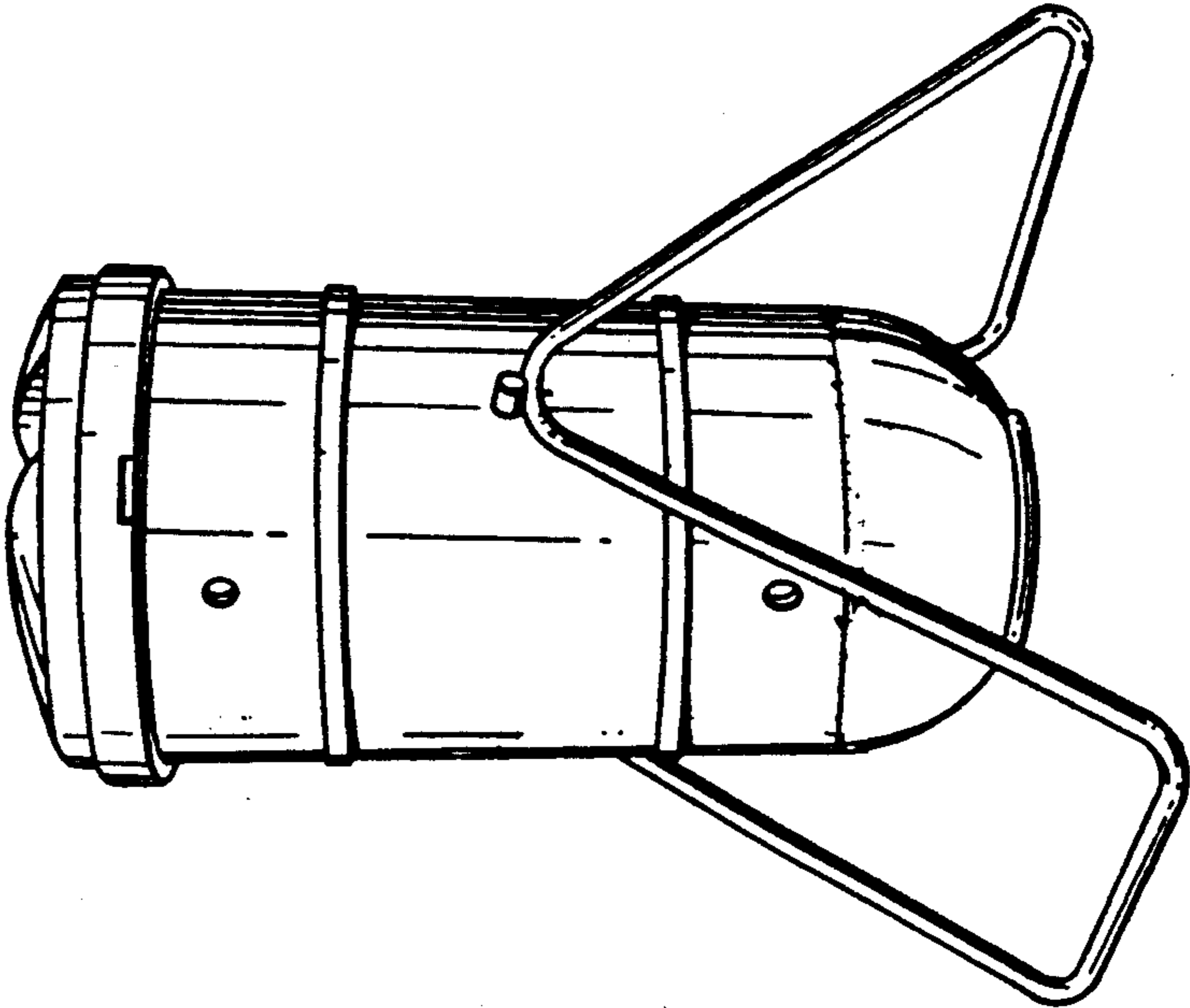
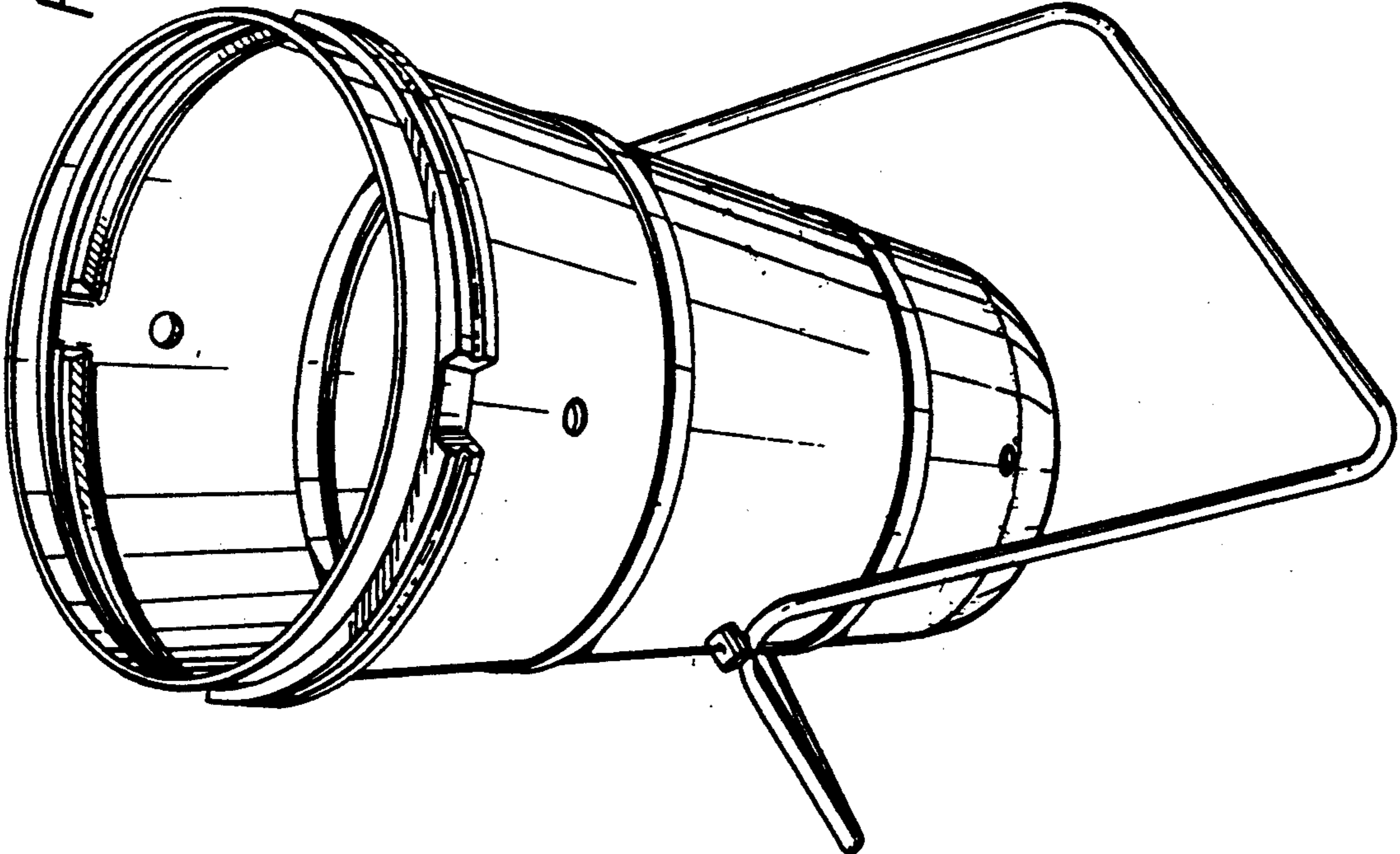


FIG.5



UNITED STATES PATENT AND TRADEMARK OFFICE  
**CERTIFICATE OF CORRECTION**

PATENT NO. : Des. 333,713  
DATED : March 2, 1993  
INVENTOR(S) : Grant Blakemore

It is certified that error appears in the above-identified patent and that said Letters Patent is hereby corrected as shown below:

On the title page, item

[54] Title, change "COMPAST TUMBLER" to -- COMPOST TUMBLER --.

Signed and Sealed this  
Sixteenth Day of November, 1993

Attest:



BRUCE LEHMAN

Attesting Officer

Commissioner of Patents and Trademarks