



US00D333712S

United States Patent [19]
Moore

[11] **Patent Number: Des. 333,712**

[45] **Date of Patent: ** Mar. 2, 1993**

[54] **CARRIER FOR DUST MOPS**

[76] **Inventor: Terry D. Moore, 575 Windchase La., Stone Mountain, Ga. 30083**

[**] **Term: 14 Years**

[21] **Appl. No.: 381,014**

[22] **Filed: Jul. 17, 1989**

[52] **U.S. Cl. D32/20**

[58] **Field of Search D32/19-20, D32/15, 25; 15/78, 79.1, 79.2, 82-83, 87, 98, 320**

[56] **References Cited**

U.S. PATENT DOCUMENTS

D. 178,350	7/1956	Felske et al.	D32/19
D. 245,845	9/1977	Deuchar et al.	D32/15
D. 246,973	1/1978	Deuchar et al.	D32/15
D. 297,779	9/1988	Linde	D32/19

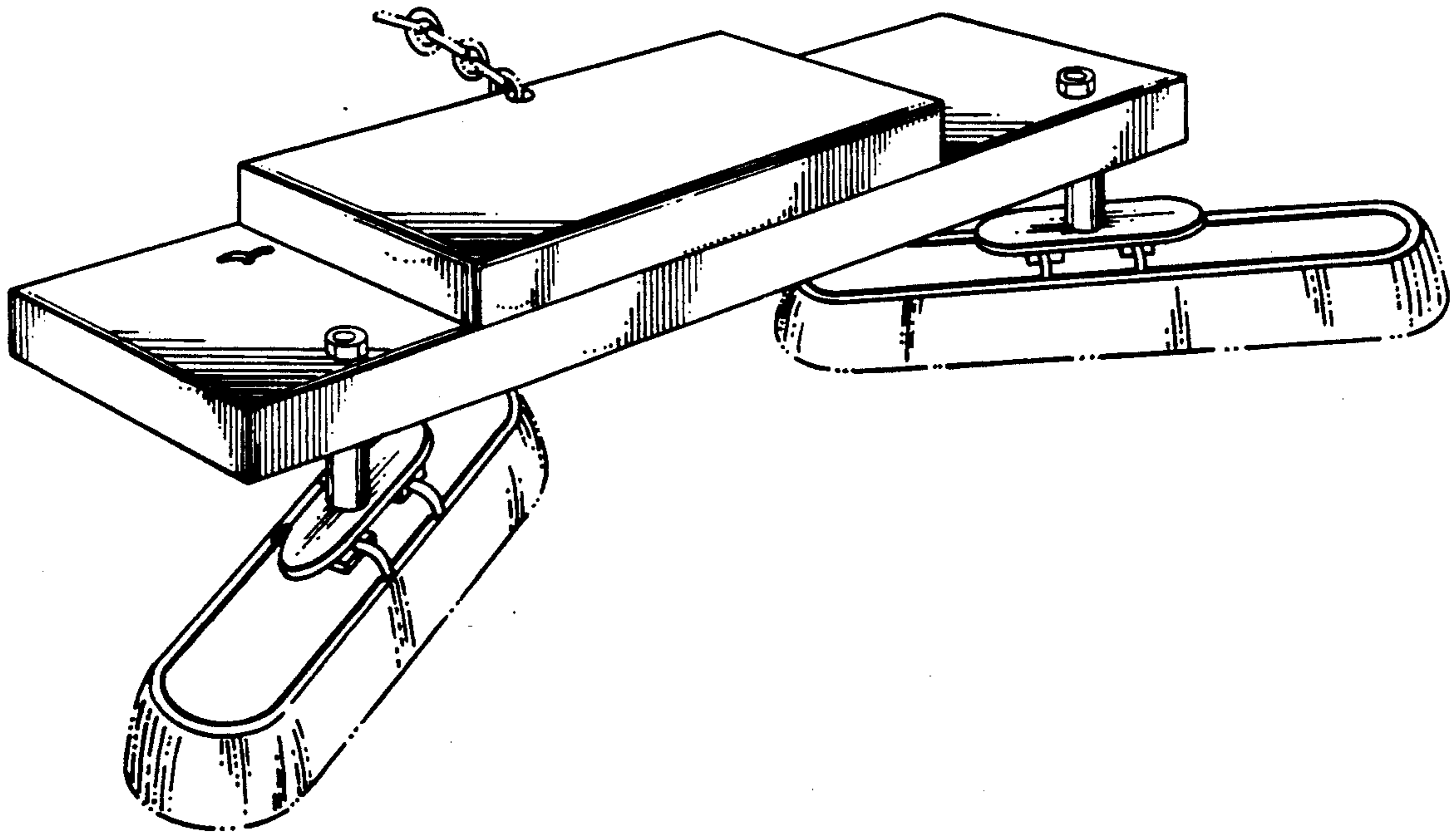
Primary Examiner—A. Hugo Word
Assistant Examiner—Ruth McInroy
Attorney, Agent, or Firm—James B. Middleton

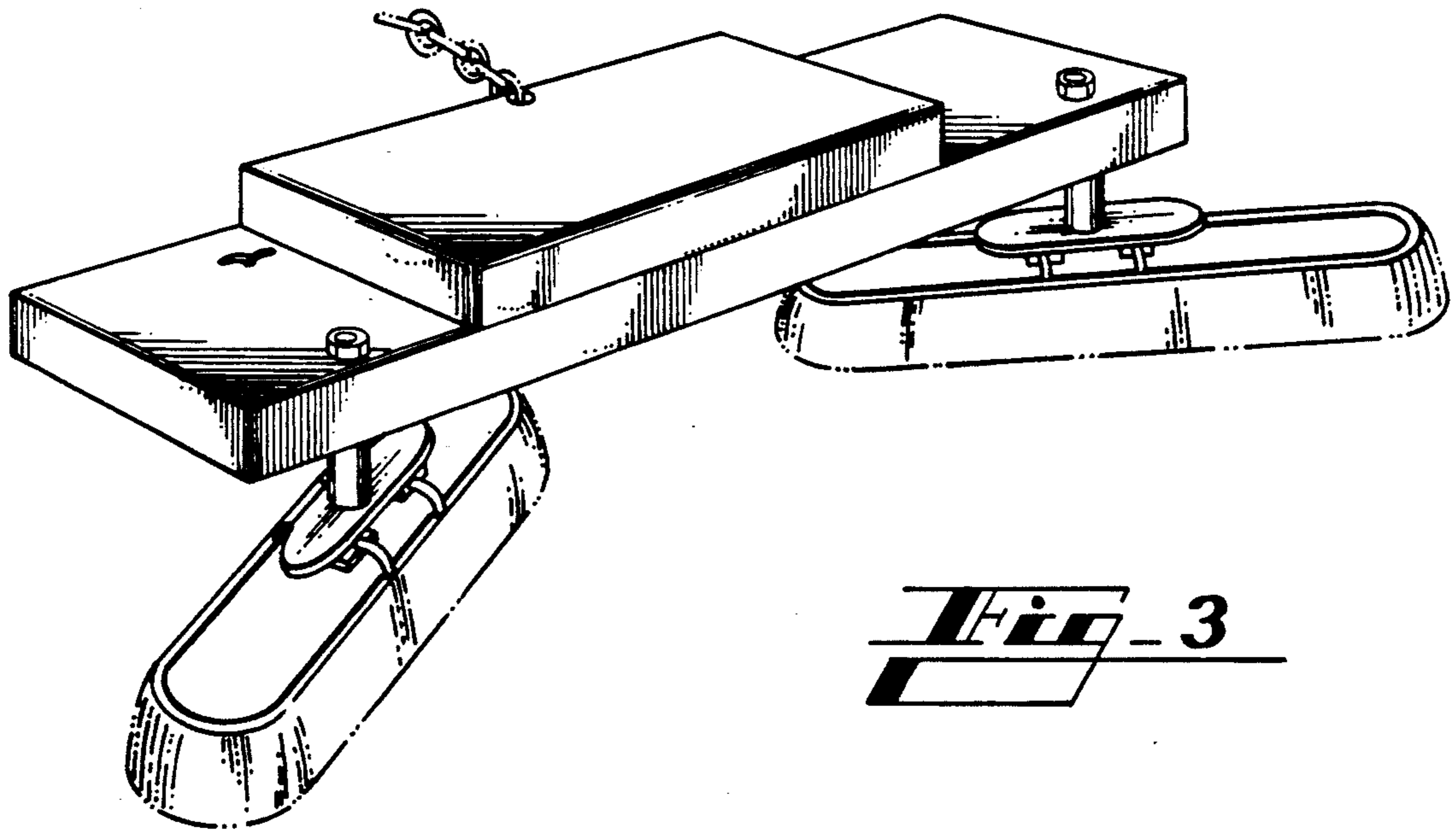
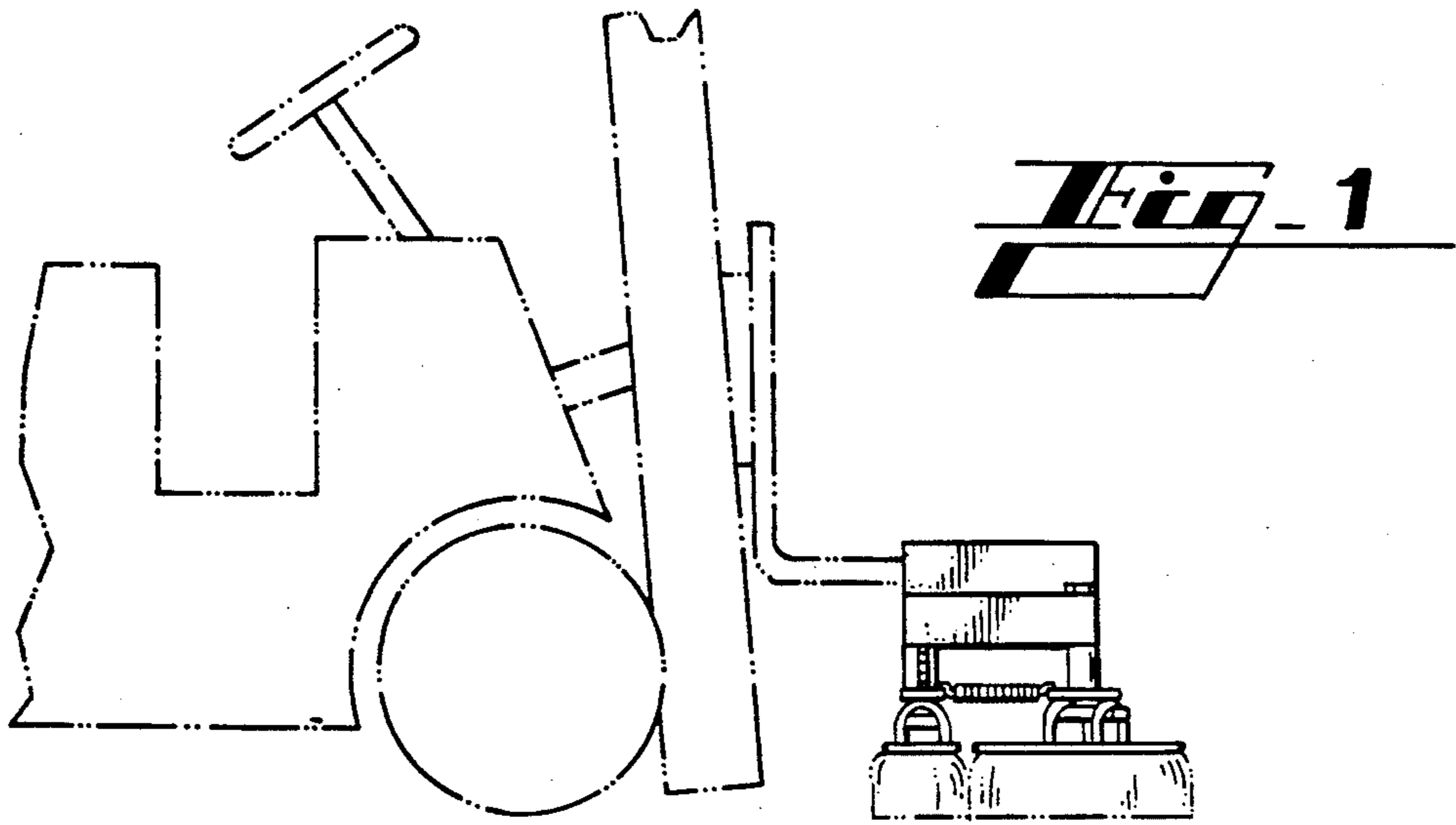
[57] **CLAIM**

The ornamental design for a carrier for dust mops, as shown and described.

DESCRIPTION

FIG. 1 is a left side elevational view of a carrier for dust mops showing my new design; FIG. 2 is an enlarged left side elevational view thereof; FIG. 3 is a top, front and left side perspective view thereof; FIG. 4 is a rear elevational view thereof; and, FIG. 5 is a bottom plan view thereof. The vehicle, chain and mop heads shown in broken lines are shown for illustrative purposes only and form no part of the claimed design.





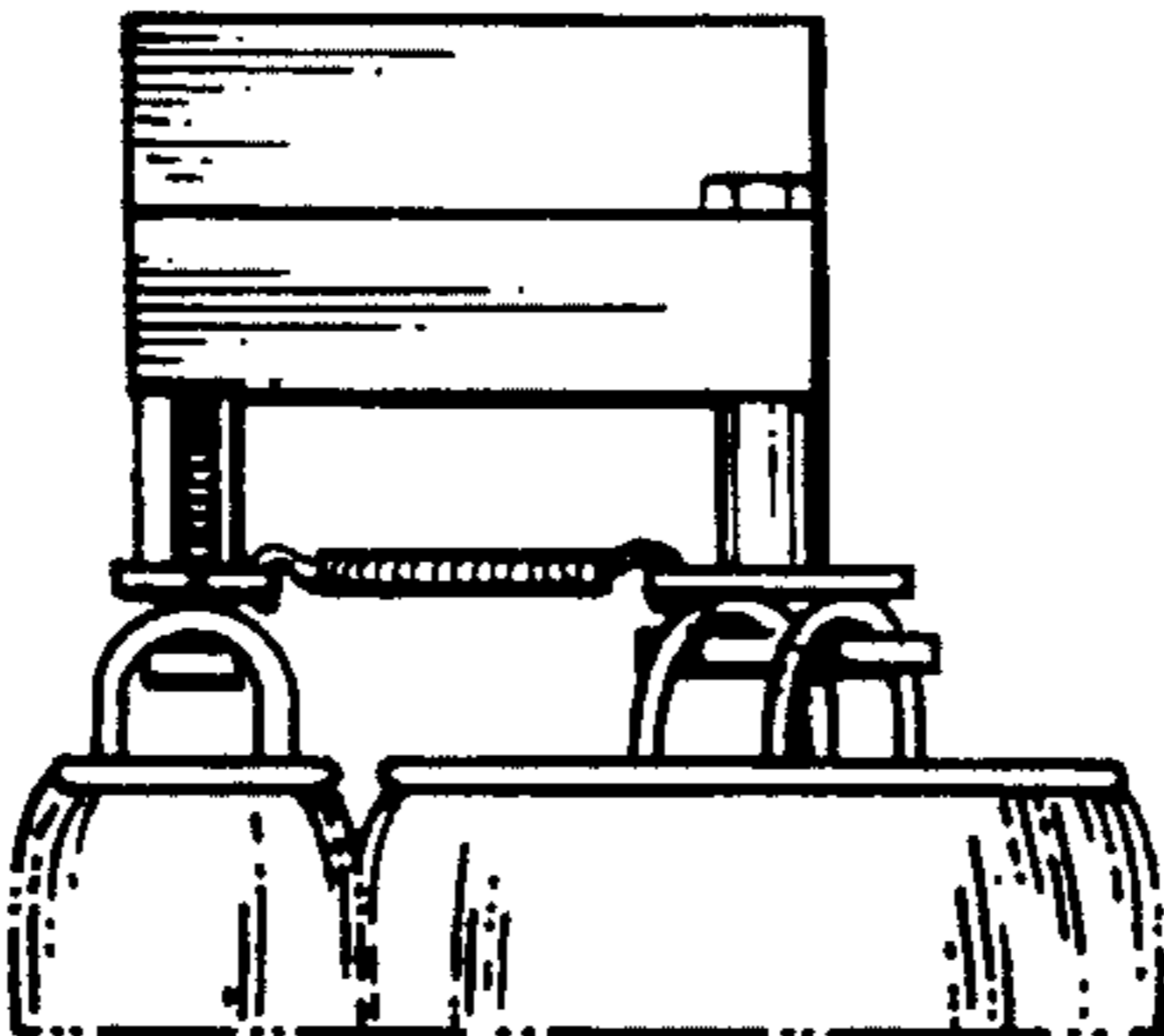


Fig. 2

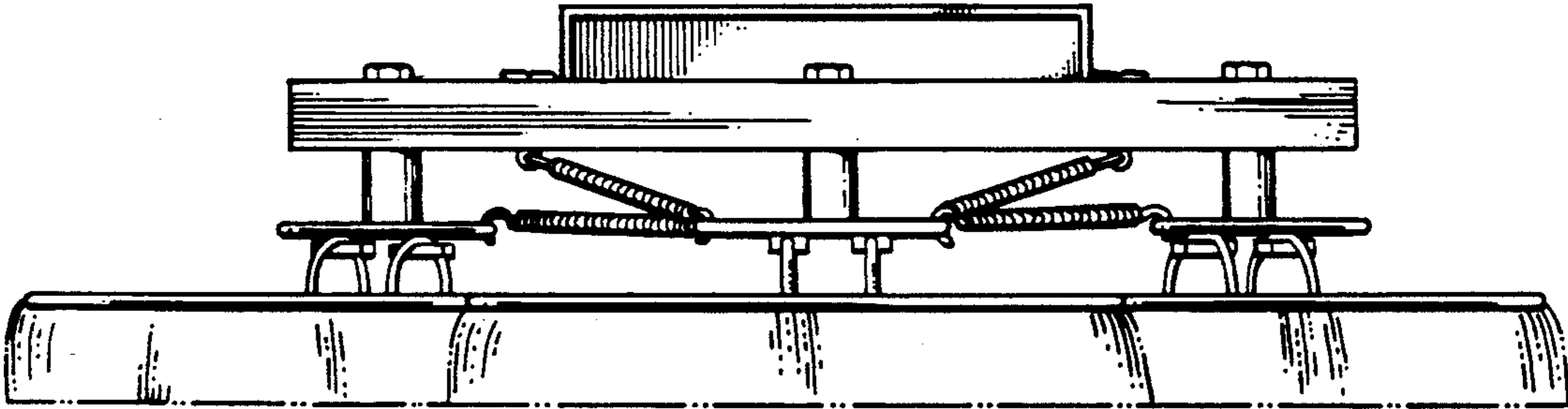


Fig. 4

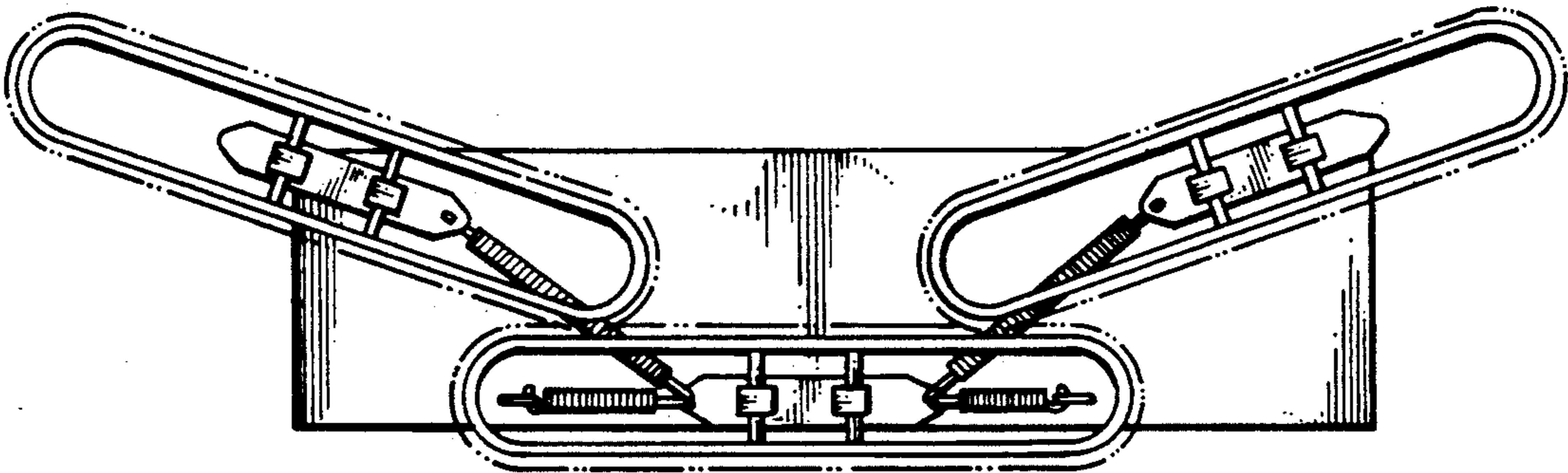


Fig. 5