



US00D333711S

# United States Patent [19]

[11] Patent Number: **Des. 333,711**

Wilson

[45] Date of Patent: **\*\* Mar. 2, 1993**

[54] **SPLASH GUARD FOR FLOOR SCRUBBING MACHINE**

3,010,135	11/1961	Pollnow	15/246
3,733,635	5/1973	Carden	15/49 R
4,831,682	5/1989	White	15/247
4,945,599	8/1990	Flynn	15/247

[76] Inventor: **Thomas Wilson, 1761 Martello, Pomona, Calif. 91767**

*Primary Examiner*—A. Hugo Word  
*Assistant Examiner*—Ruth McInroy  
*Attorney, Agent, or Firm*—Terry M. Gernstein

[\*\*] Term: **14 Years**

[21] Appl. No.: **550,362**

[57] **CLAIM**

[22] Filed: **Jul. 10, 1990**

The ornamental design for a splash guard for floor scrubbing machine, as shown and described.

[52] U.S. Cl. .... **D32/19**

[58] Field of Search ..... **D32/1, 15-17, D32/19-22, 25; 15/320, 321, 340.2, 340.3, 340.4, 49.1, 50.1, 50.3, 52.1, 78, 79.1, 79.2, 82, 87, 246, 247, 98**

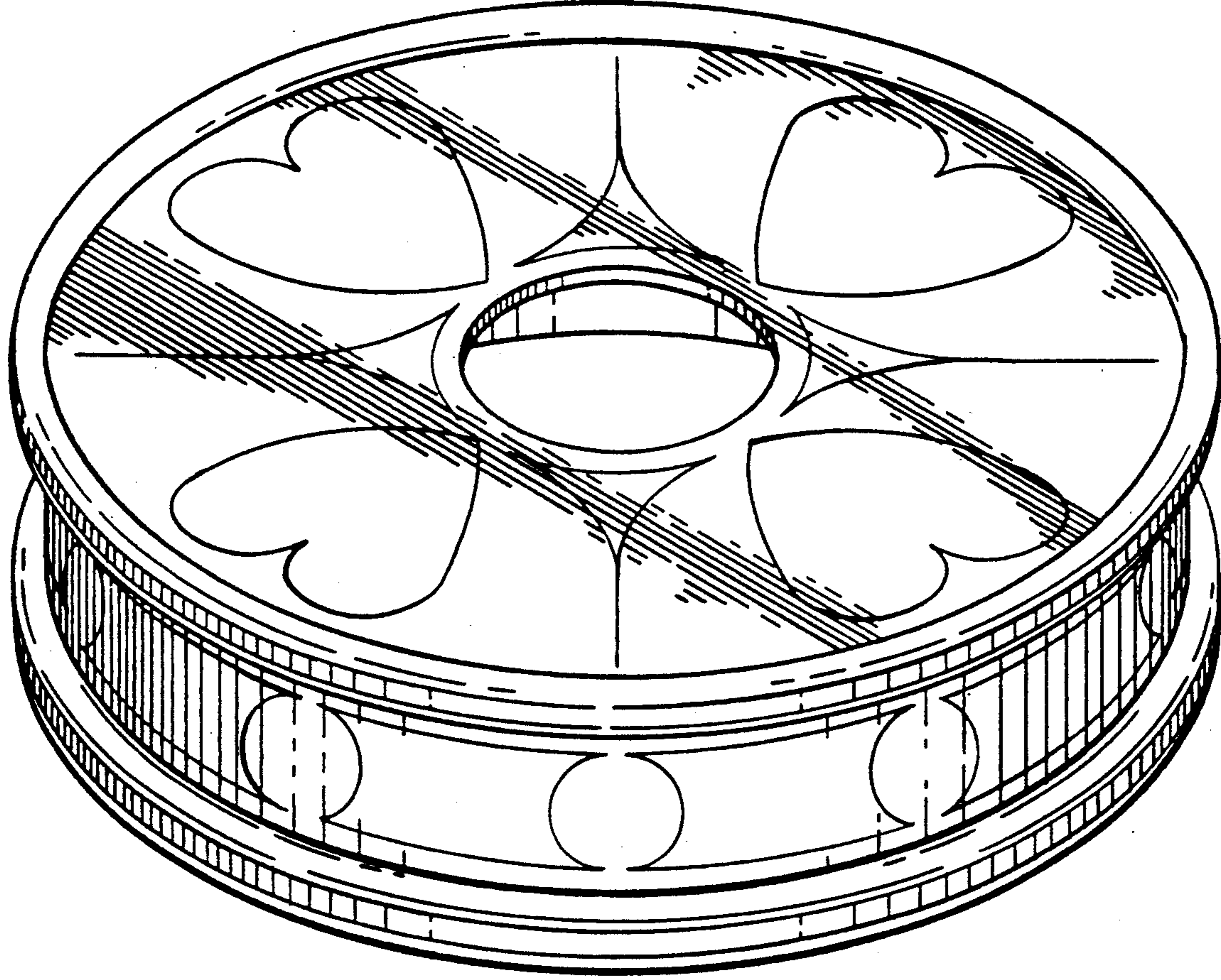
**DESCRIPTION**

**FIG. 1** is a perspective view of a splash guard for floor scrubbing machine showing my new design;  
**FIG. 2** is a side elevational view thereof, the opposite side being identical;  
**FIG. 3** is a top plan view thereof; and,  
**FIG. 4** is a bottom plan view thereof.

[56] **References Cited**

**U.S. PATENT DOCUMENTS**

2,981,966 5/1961 Beffel ..... 15/246



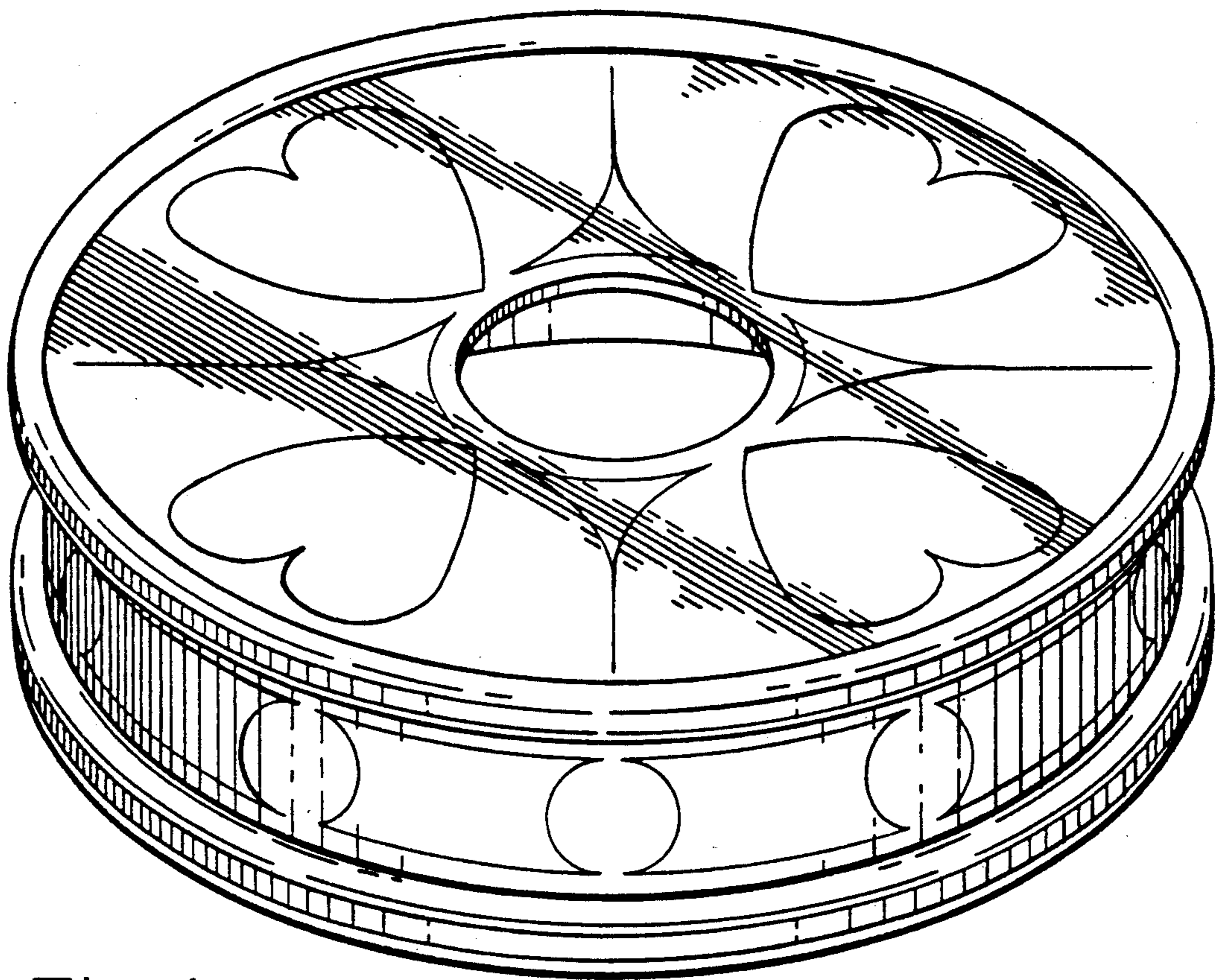


Fig. 1

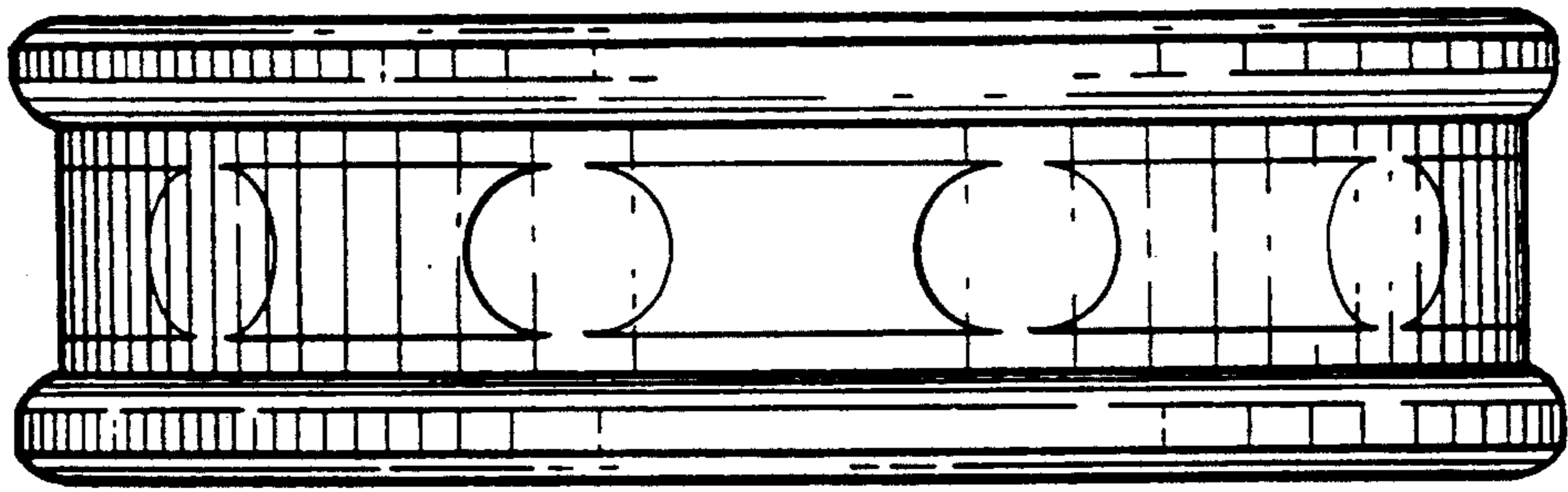


Fig. 2

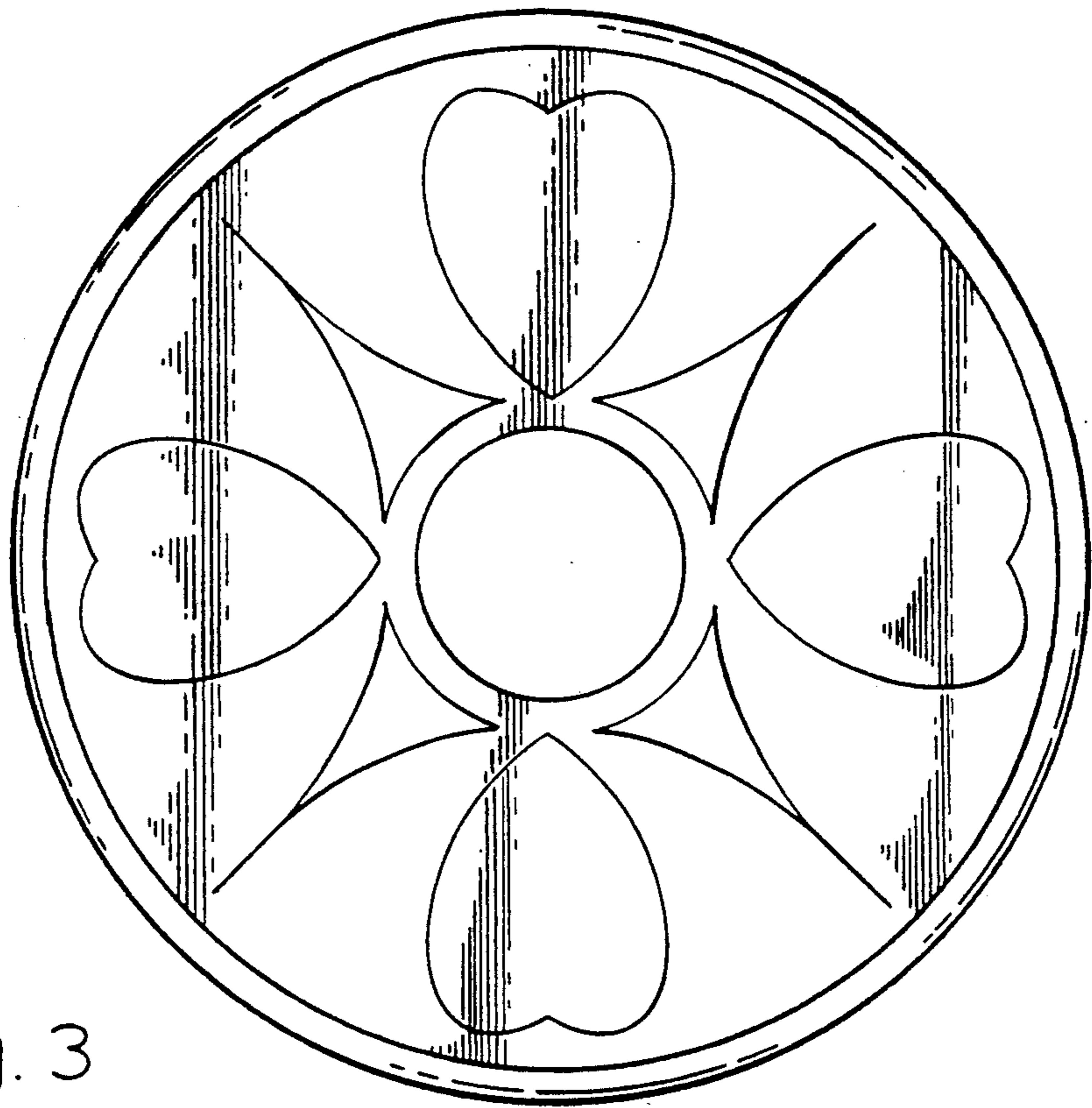


Fig. 3

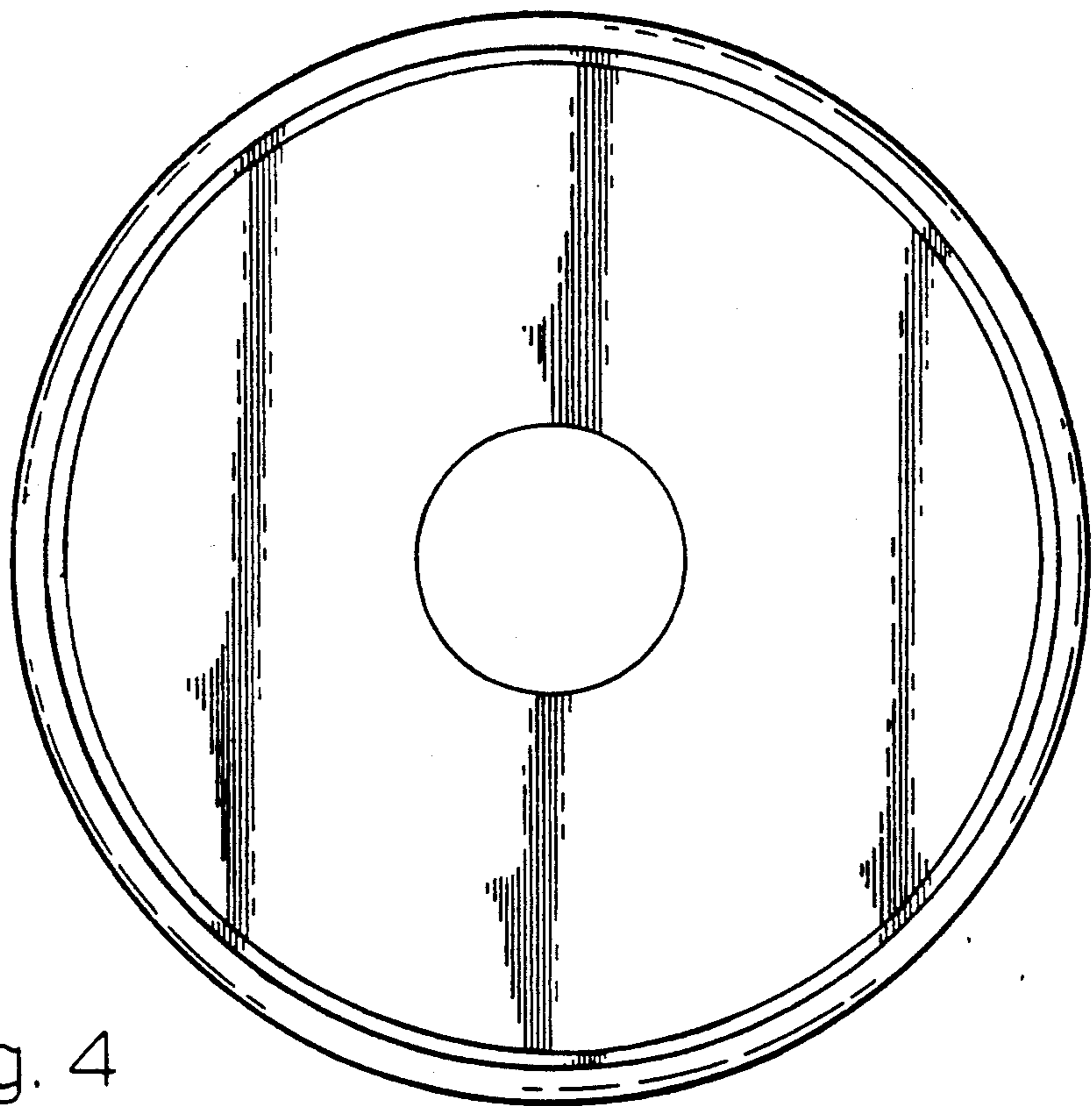


Fig. 4