



US00D333693S

United States Patent [19]

[11] Patent Number: Des. 333,693

Parsons

[45] Date of Patent: ** Mar. 2, 1993

[54] POLICE SIDE HANDLE TRAINING BATON

4,842,277 6/1989 LaCroix D22/117 X
4,982,960 1/1991 David D22/117 X

[75] Inventor: Kevin L. Parsons, Appleton, Wis.

FOREIGN PATENT DOCUMENTS

[73] Assignee: Armament Systems and Procedures, Inc., Appleton, Wis.

1287775 2/1962 France 273/84 R

[**] Term: 14 Years

Primary Examiner—A. Hugo Word
Assistant Examiner—Doris V. Coles
Attorney, Agent, or Firm—Andrus, Scales, Starke & Sawall

[21] Appl. No.: 590,065

[22] Filed: Sep. 28, 1990

[52] U.S. Cl. D22/117

[58] Field of Search D22/117; 273/84 R, DIG. 6,
273/DIG. 12; 229/87.2

[57] CLAIM

The ornamental design for a police side handle training baton, as shown and described.

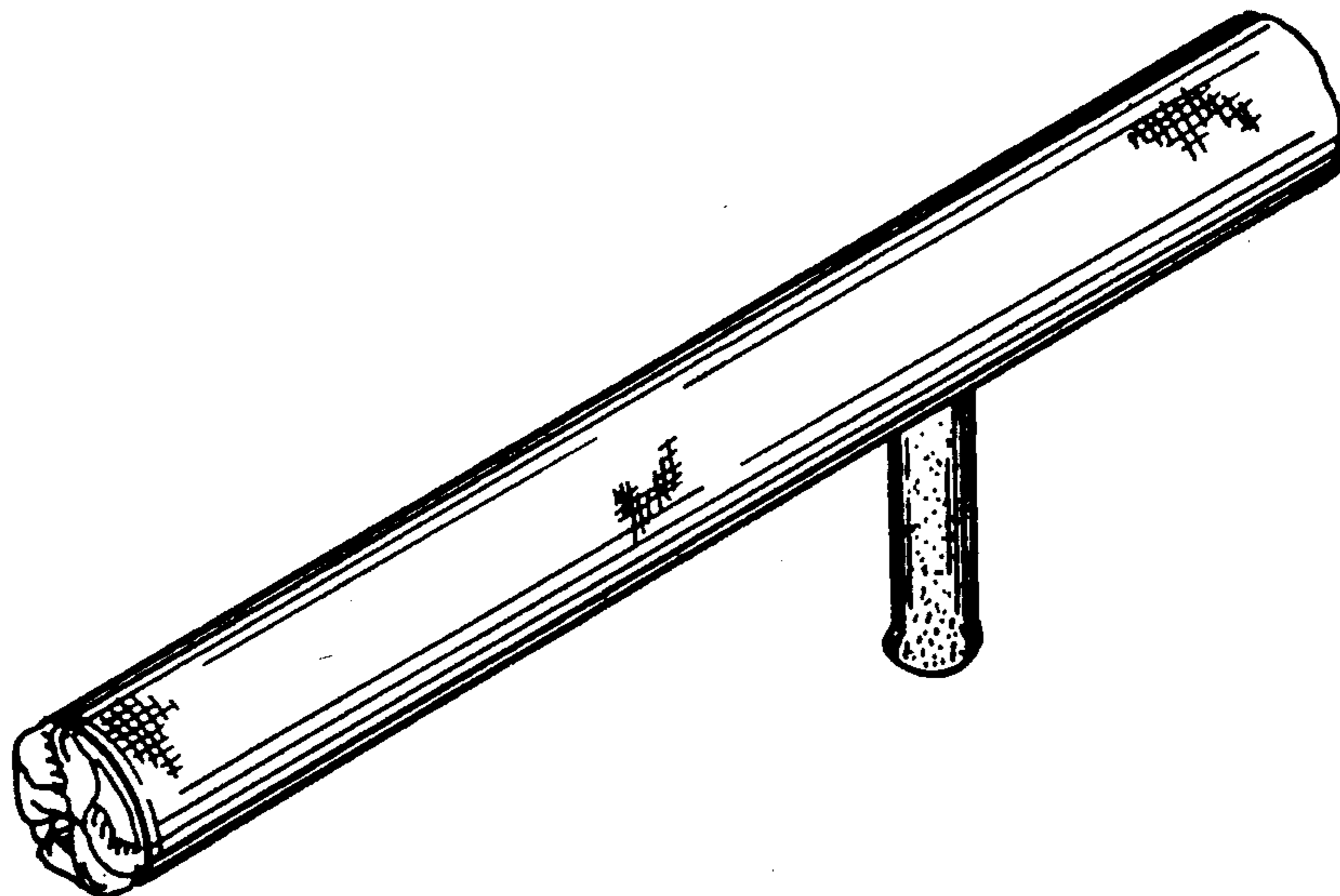
[56] References Cited

U.S. PATENT DOCUMENTS

D. 230,150	1/1974	Anderson	D22/117
D. 315,391	3/1991	Fabrey	D22/117
D. 320,428	10/1991	Rust	D22/117
441,042	11/1890	Underwood	273/84 R
1,037,218	9/1912	Dirnberger	229/87.2
1,567,659	12/1925	Lawrence	273/84 R
1,719,405	7/1929	Townsend	229/87.2
4,203,599	5/1980	Starrett	273/84 R
4,479,171	10/1984	Mains	D22/117 X

DESCRIPTION

FIG. 1 is a perspective view of a police side handle training baton, showing my new design;
FIG. 2 is a side elevational view thereof;
FIG. 3 is a side elevational view opposite that of FIG. 2;
FIG. 4 is a front elevational view thereof;
FIG. 5 is a rear elevational view thereof;
FIG. 6 is a bottom plan view thereof; and,
FIG. 7 is a top plan view thereof.



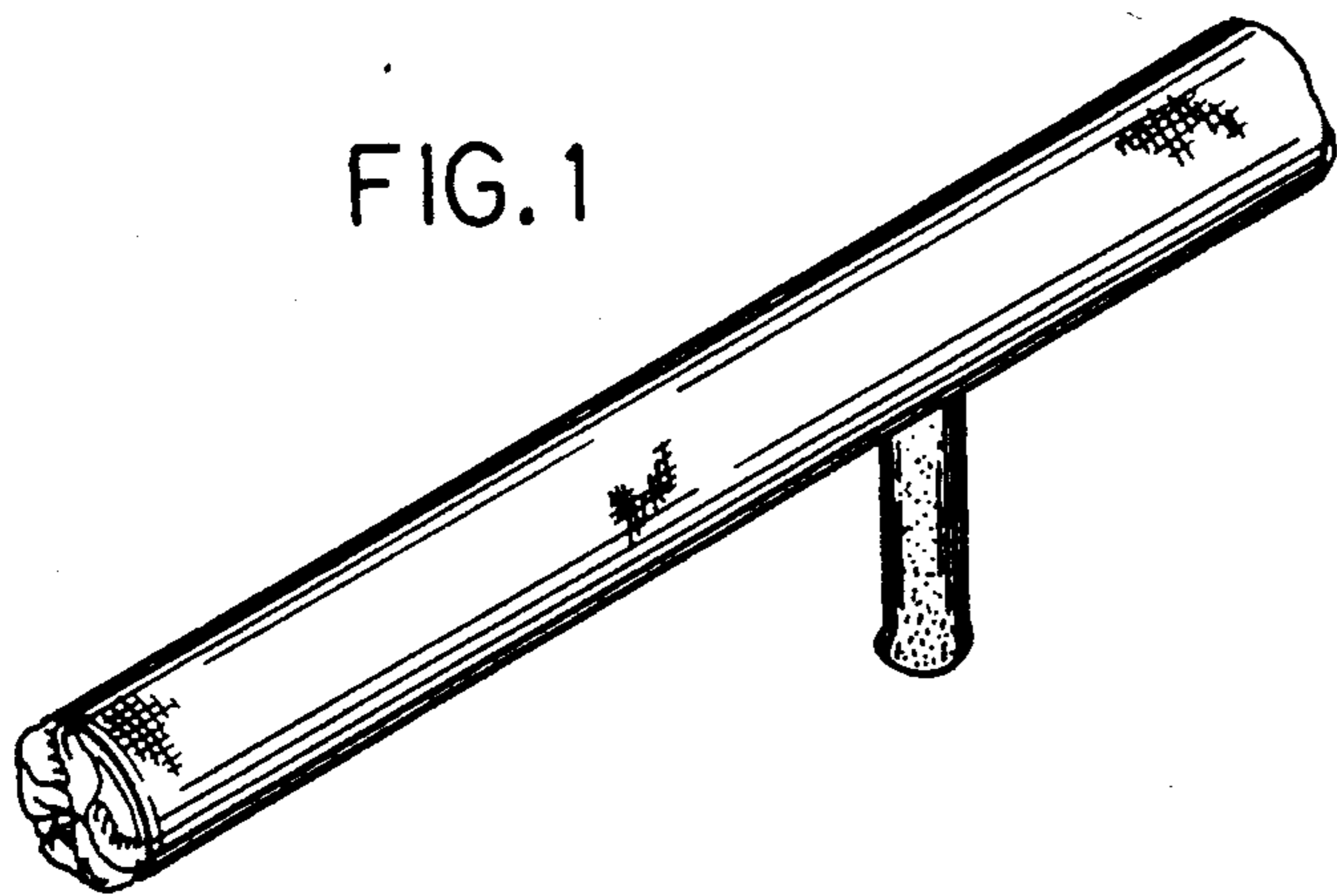


FIG. 1

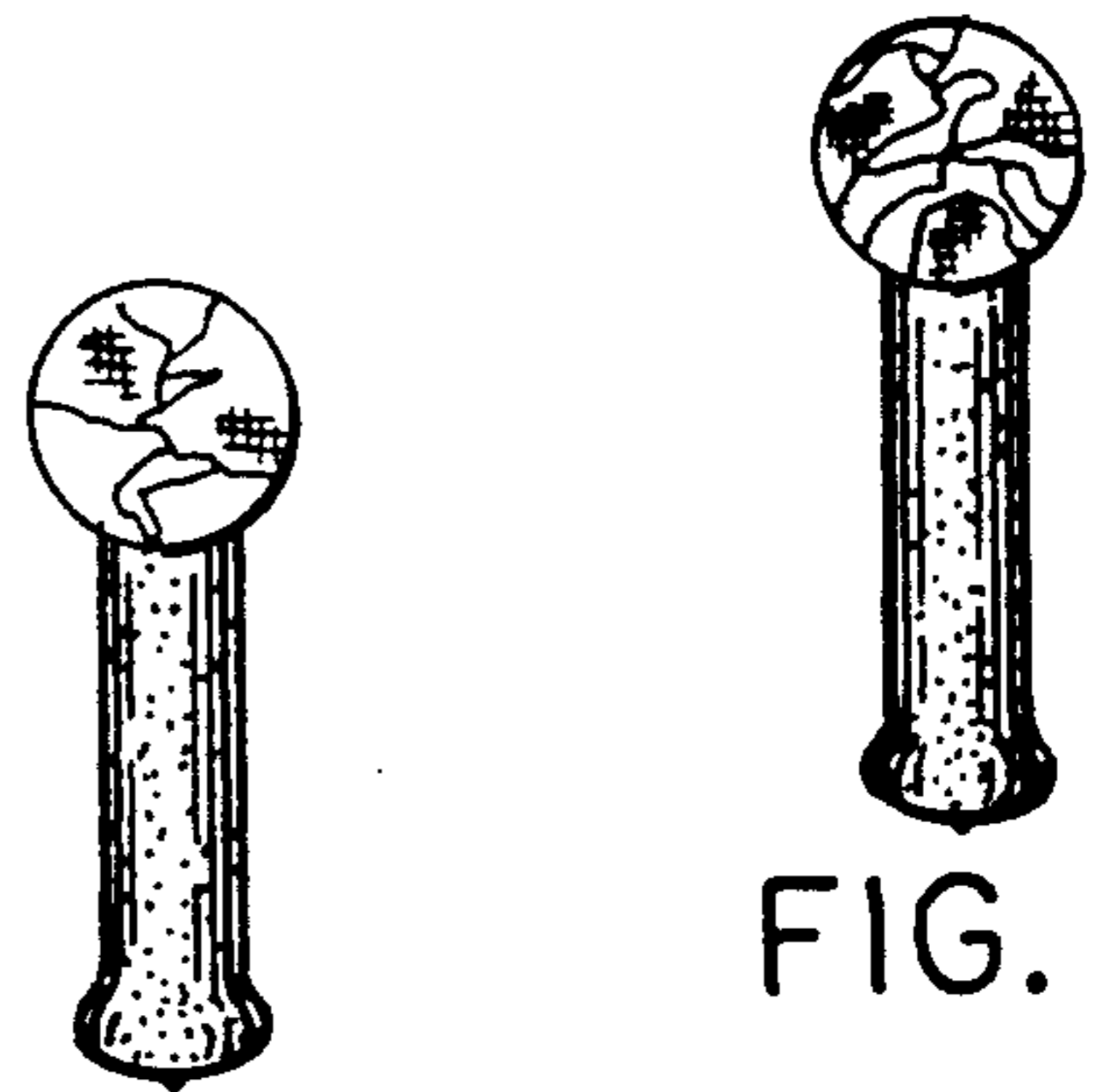


FIG. 4

FIG. 5

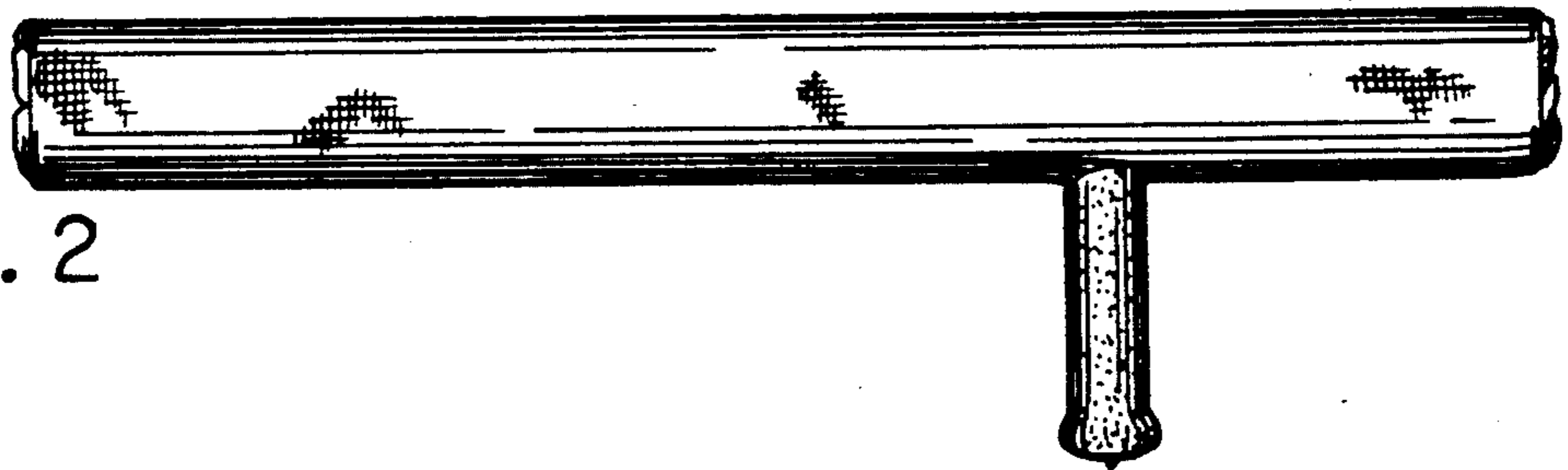


FIG. 2



FIG. 3

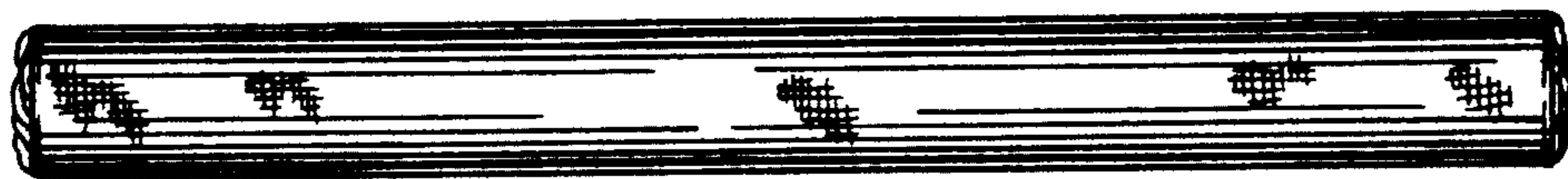


FIG. 6

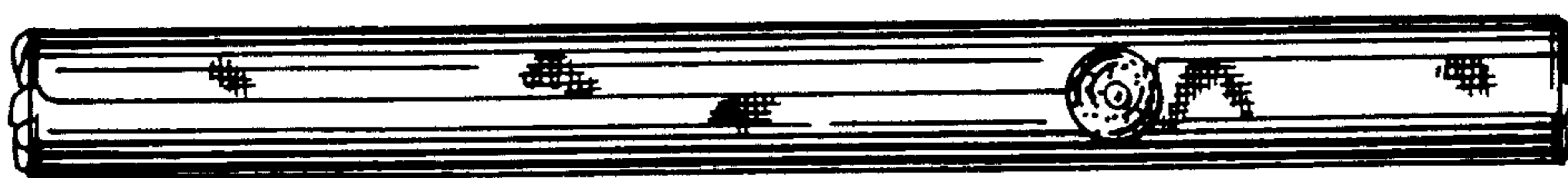


FIG. 7