



US00D333686S

United States Patent [19]

[11] Patent Number: **Des. 333,686**

Barr et al.

[45] Date of Patent: **** Mar. 2, 1993**

[54] **VIDEO GAME MACHINE**

[75] Inventors: **Lance Barr**, Redmond, Wash.;
Mitsuru Hitomi, Kyoto, Japan

[73] Assignee: **Nintendo Co., Ltd.**, Kyoto, Japan

[**] Term: **14 Years**

[21] Appl. No.: **757,432**

[22] Filed: **Sep. 10, 1991**

[30] **Foreign Application Priority Data**

Mar. 26, 1991 [JP] Japan 3-8432

[52] U.S. Cl. **D21/48**

[58] Field of Search **D21/48, 13; D14/124, D14/125, 126, 133, 135, 217, 114; D13/118, 158, 162; 273/148 B, 433, 434, 438, 436, DIG. 28**

[56] **References Cited**

U.S. PATENT DOCUMENTS

- D. 262,044 11/1981 Montague D21/13
- D. 271,891 12/1983 Renteria D21/13
- D. 292,399 10/1987 Yukawa .
- D. 294,020 2/1988 Yukawa .
- D. 299,726 2/1989 Yukawa D21/13 X
- D. 308,020 5/1990 Inoue .
- D. 312,081 11/1990 Yukawa .
- D. 317,913 7/1991 Inoue .
- D. 320,203 9/1991 Ashida .
- D. 321,377 11/1991 Ko D21/13
- D. 321,429 11/1991 Kojo .
- 4,658,666 4/1987 Liu 273/148 B X

OTHER PUBLICATIONS

Playthings, Feb. 1980, p. 154, Super Simon top of the page.

Playthings, Apr. 1981, inside front cover bottom left of the page.

Primary Examiner—Bernard Ansher

Assistant Examiner—Prabhakar Deshmukh

Attorney, Agent, or Firm—Nixon & Vanderhye

[57] **CLAIM**

The ornamental design for a video game machine, as shown and described.

DESCRIPTION

FIG. 1 is a front, top and right perspective view of a video game machine showing my new design;

FIG. 2 is a rear, bottom and left perspective view thereof;

FIG. 3 is a front elevational view thereof;

FIG. 4 is a rear elevational view thereof;

FIG. 5 is a right side elevational view thereof, a left side being a mirror image;

FIG. 6 is a top plan view thereof;

FIG. 7 is a bottom plan view thereof;

FIG. 8 is a front, top and right perspective view of a second embodiment of FIG. 1;

FIG. 9 is a rear, bottom and left perspective view of FIG. 8 thereof;

FIG. 10 is a front, top and right perspective view of a third embodiment of FIG. 1;

FIG. 11 is a rear, bottom and left perspective view of FIG. 10 thereof;

FIG. 12 is a front, top and right perspective view of a fourth embodiment of FIG. 1 thereof;

FIG. 13 is a rear, bottom and left perspective view of FIG. 12 thereof;

FIG. 14 is a front, top and right perspective view of a fifth embodiment of FIG. 1;

FIG. 15 is a rear, bottom and left perspective view of FIG. 14 thereof;

FIG. 16 is a front, top and right perspective view of a sixth embodiment of FIG. 1;

FIG. 17 is a rear, bottom and left perspective view of FIG. 16 thereof;

FIG. 18 is a front, top and right perspective view of a seventh embodiment of FIG. 1; and,

FIG. 19 is a rear, bottom and left perspective view of FIG. 18 thereof.

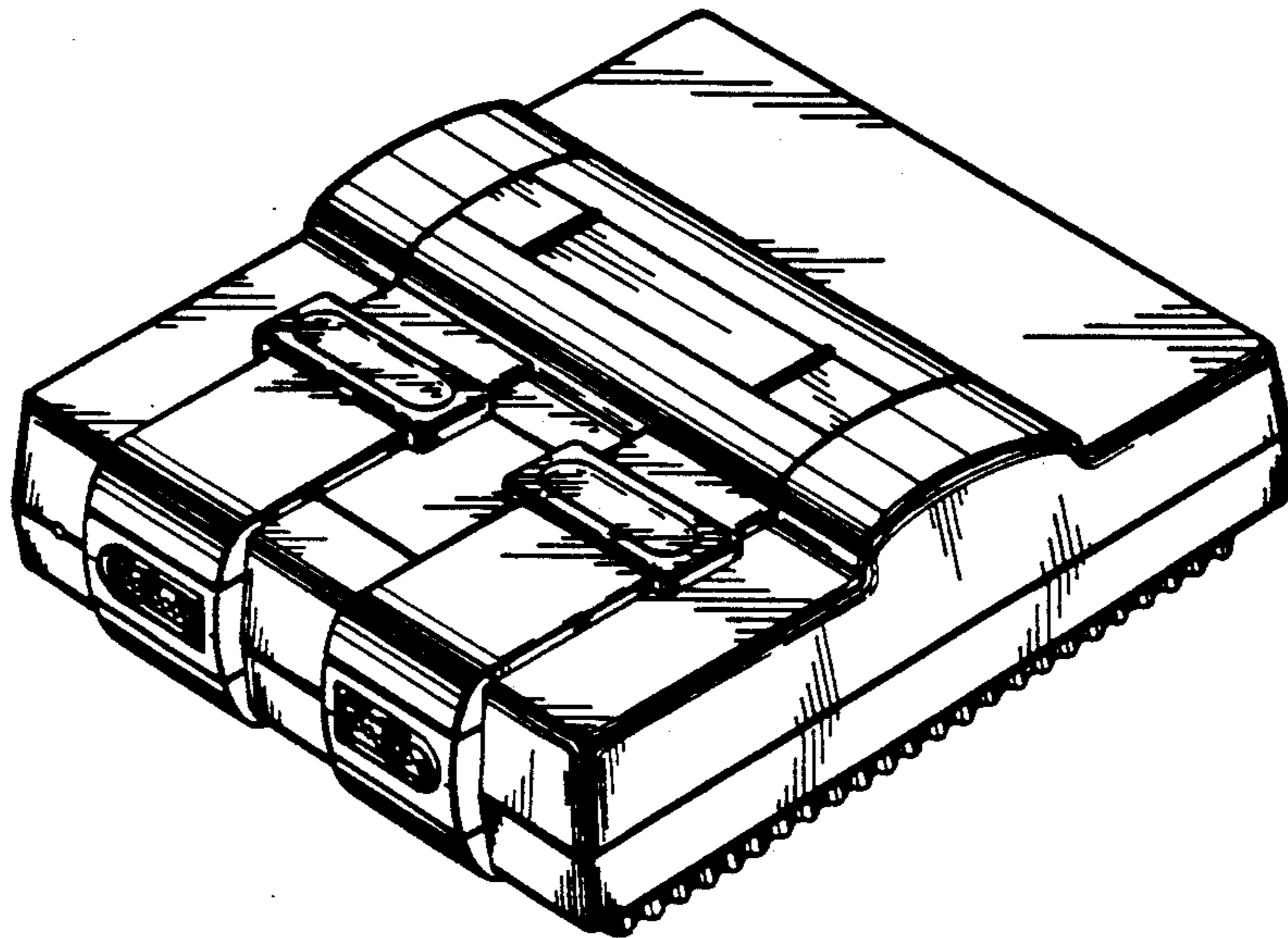


FIG. 1

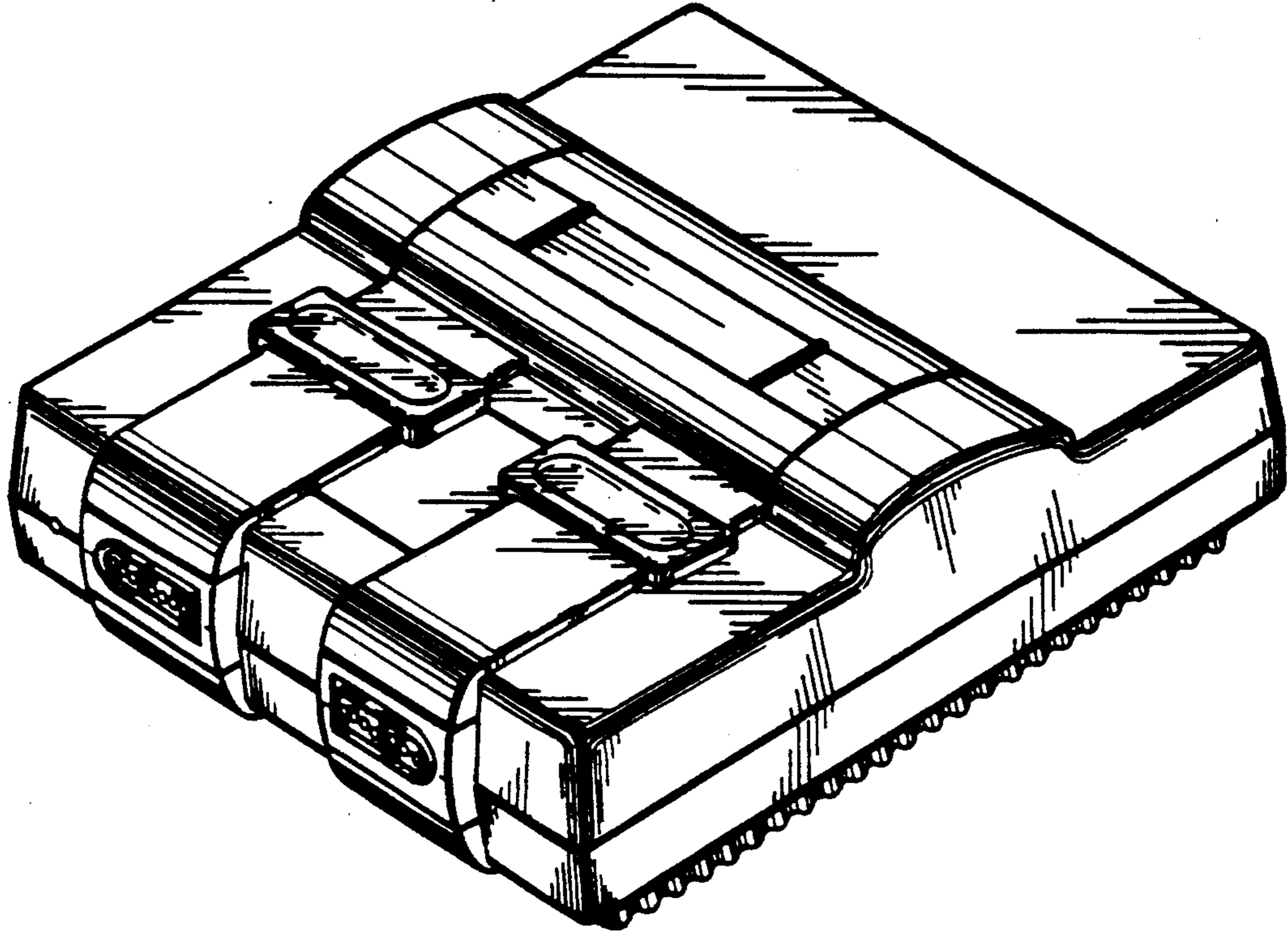


FIG. 2

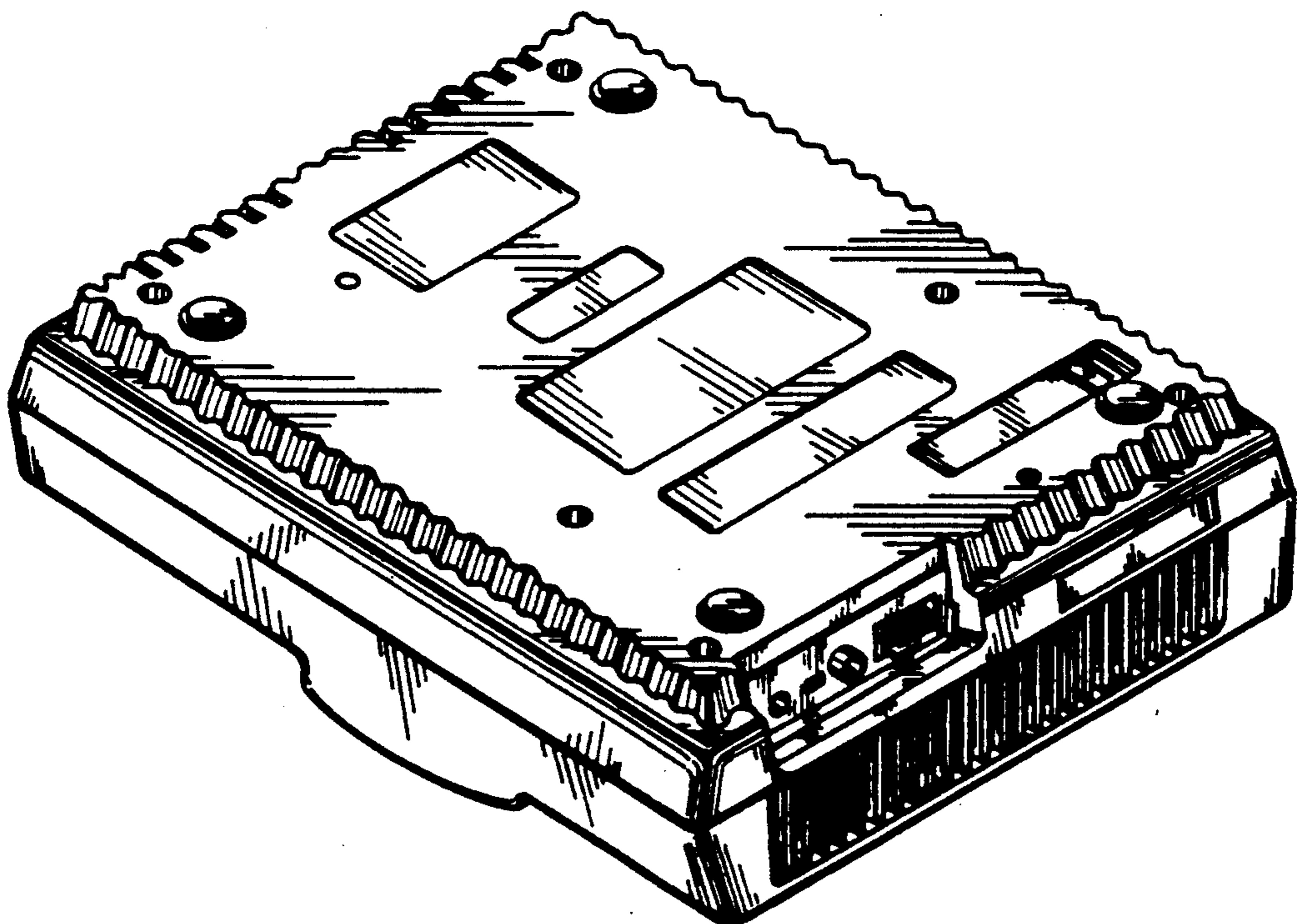


FIG. 3

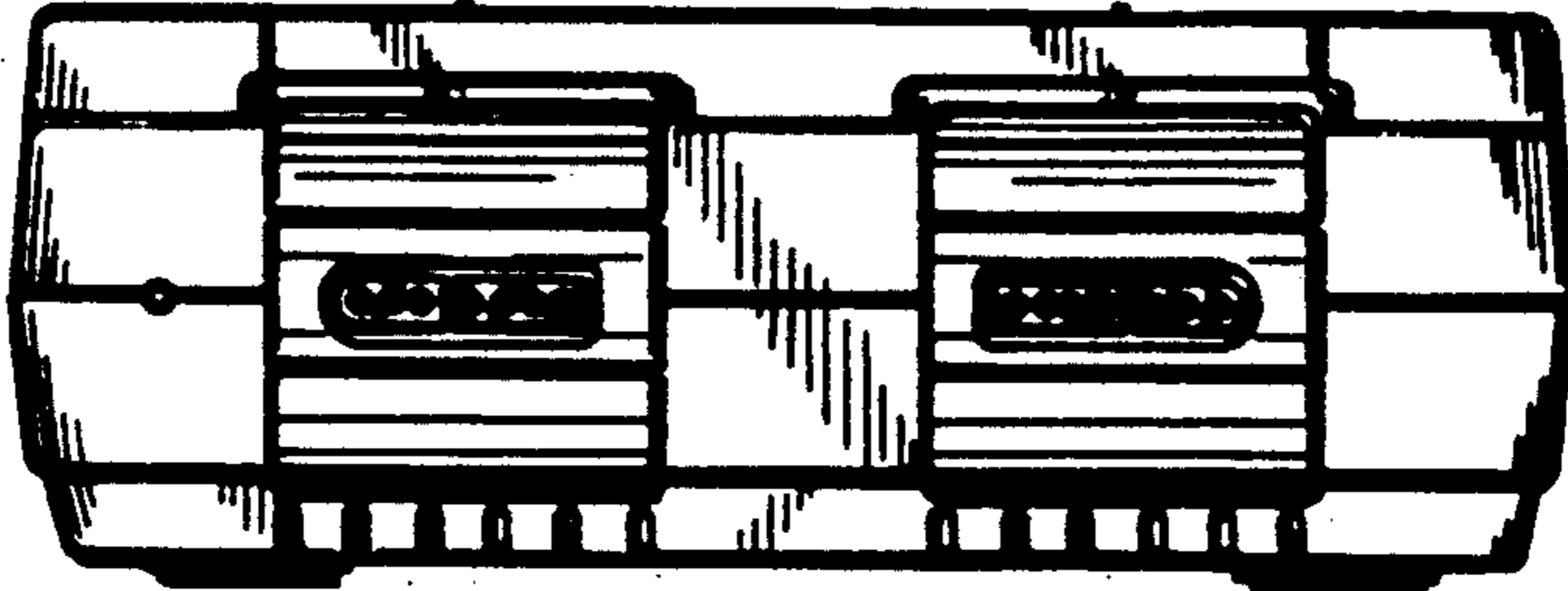


FIG. 4

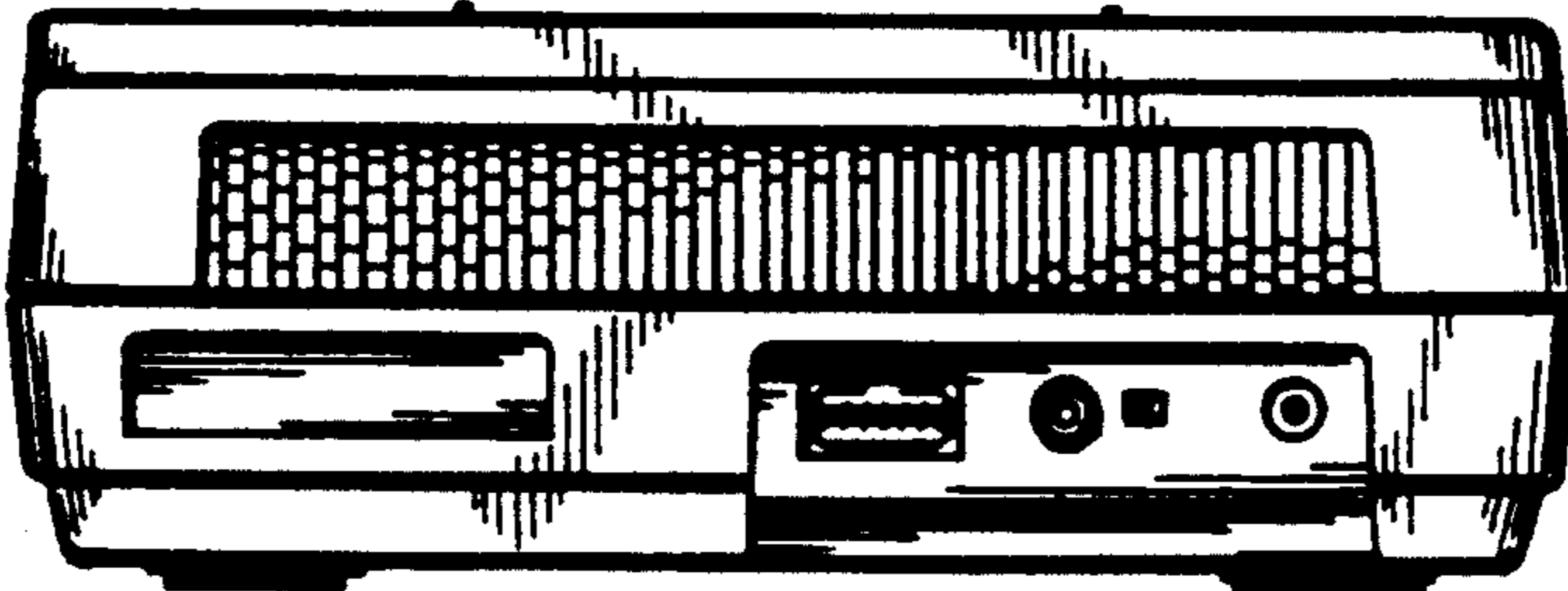


FIG. 5

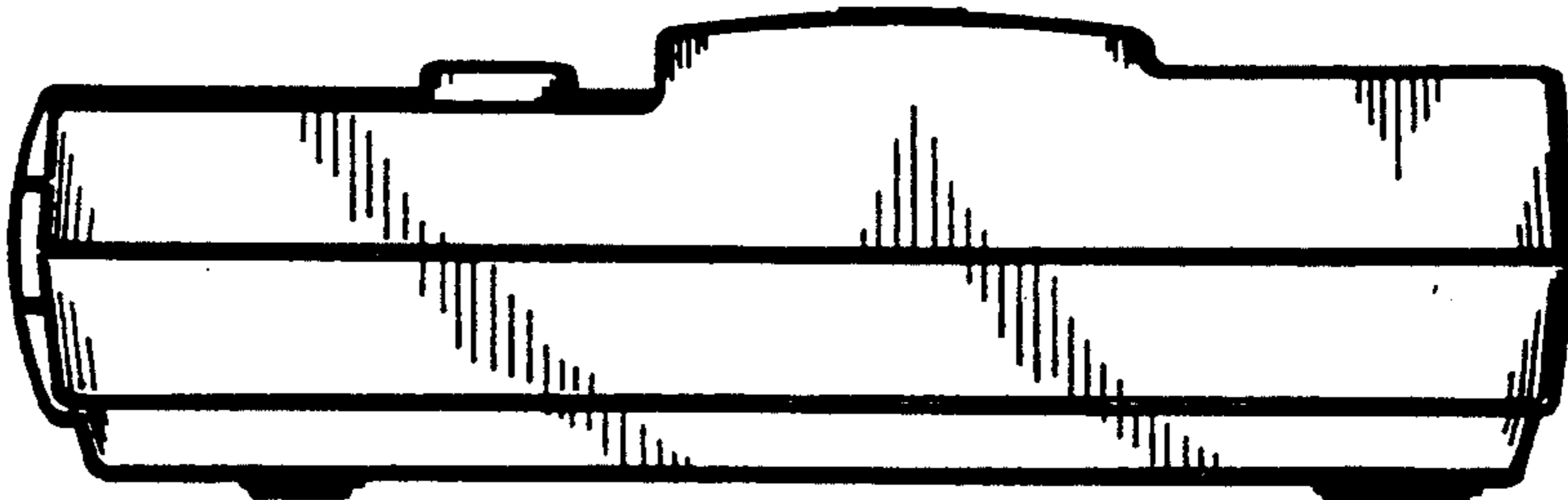


FIG. 7

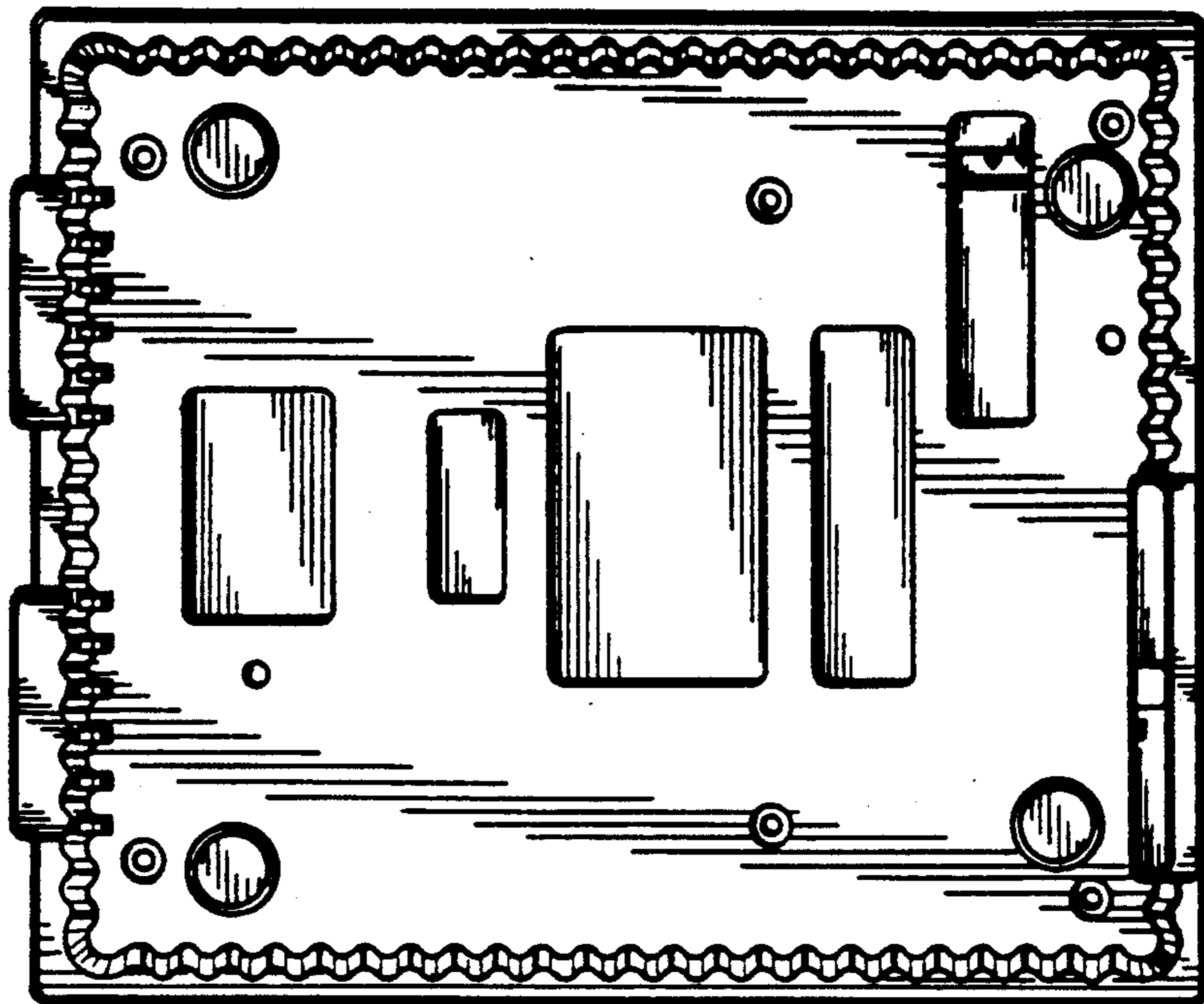


FIG. 6

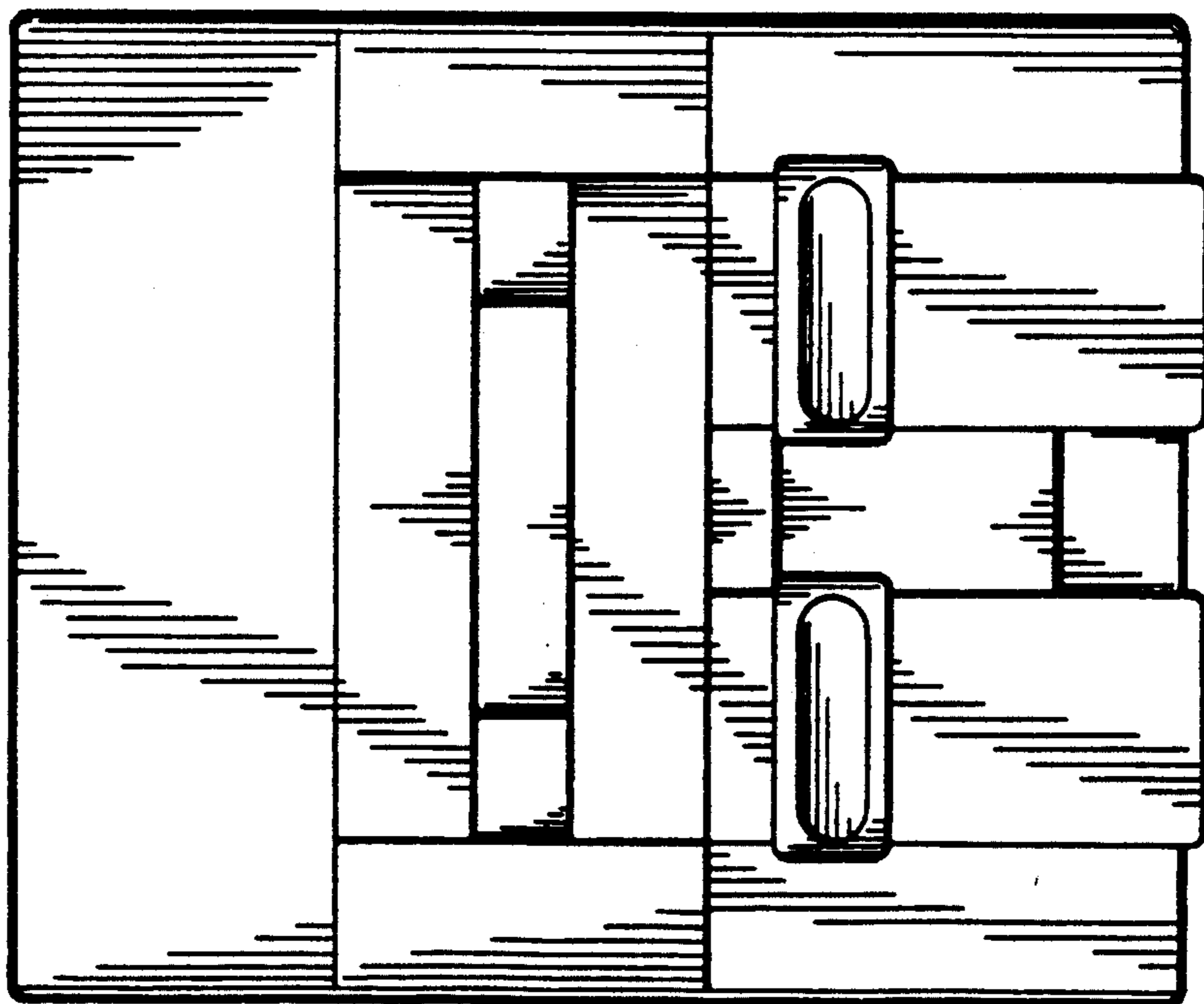


FIG. 8

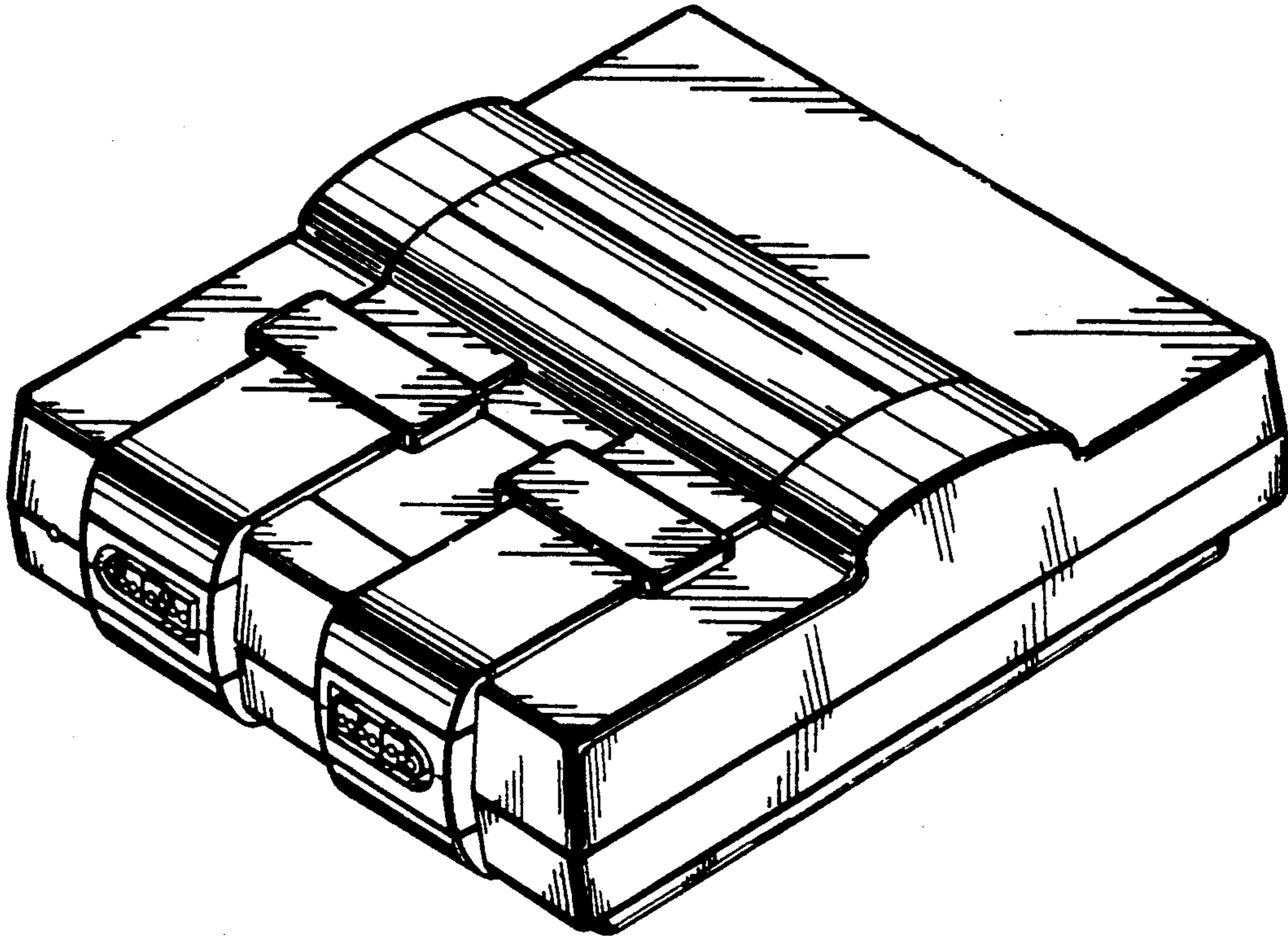


FIG. 9

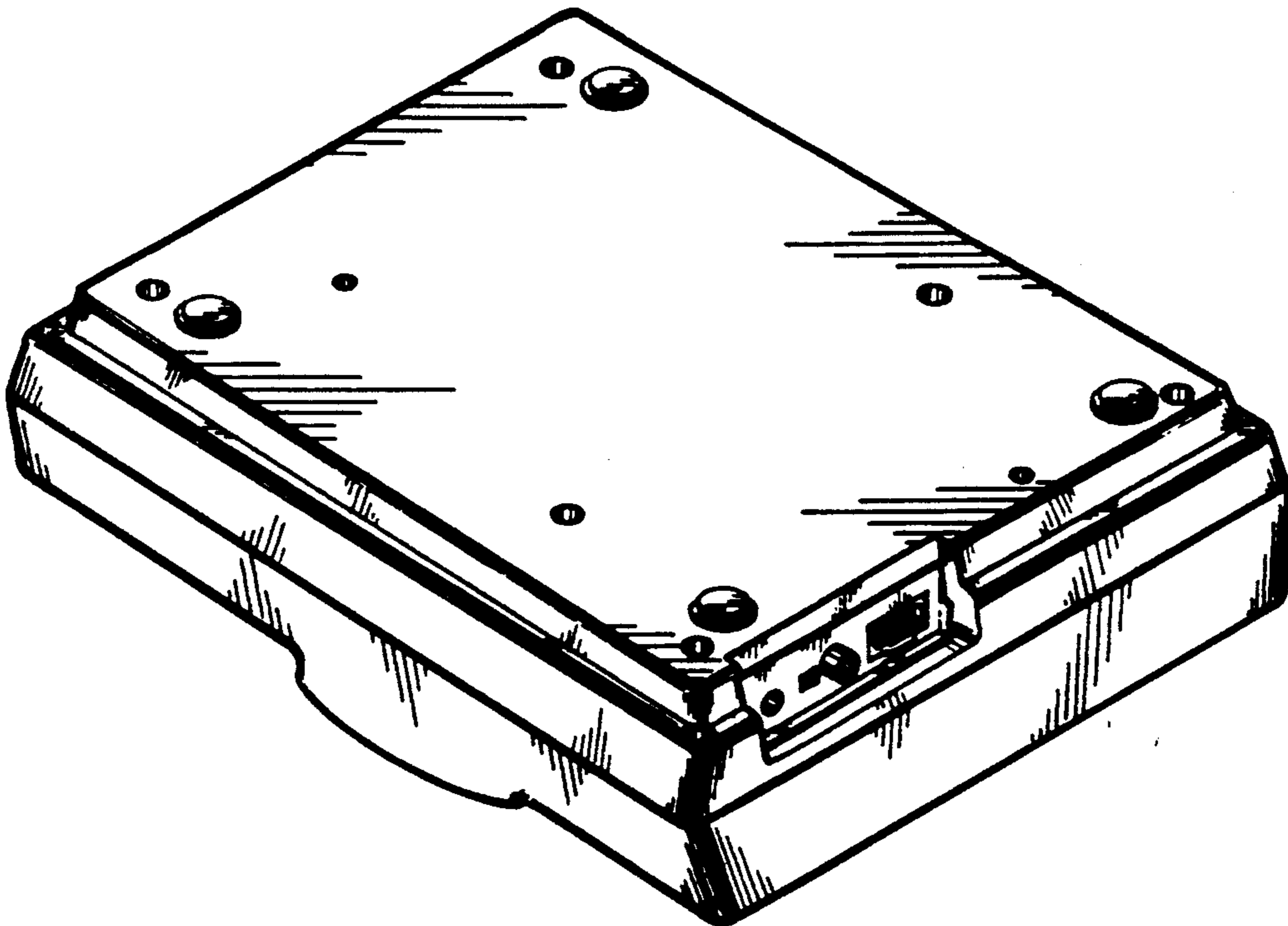


FIG. 10

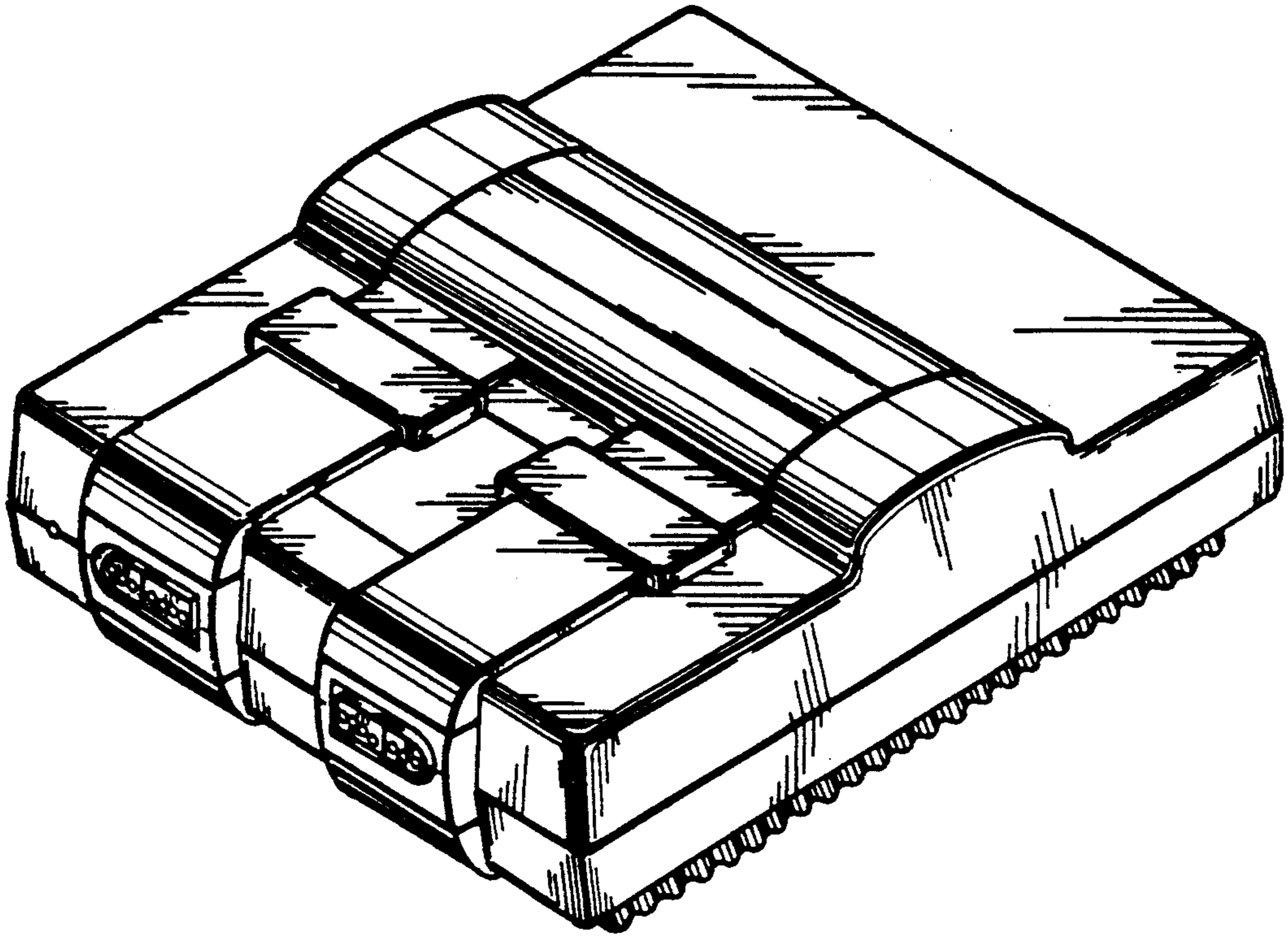


FIG. 11

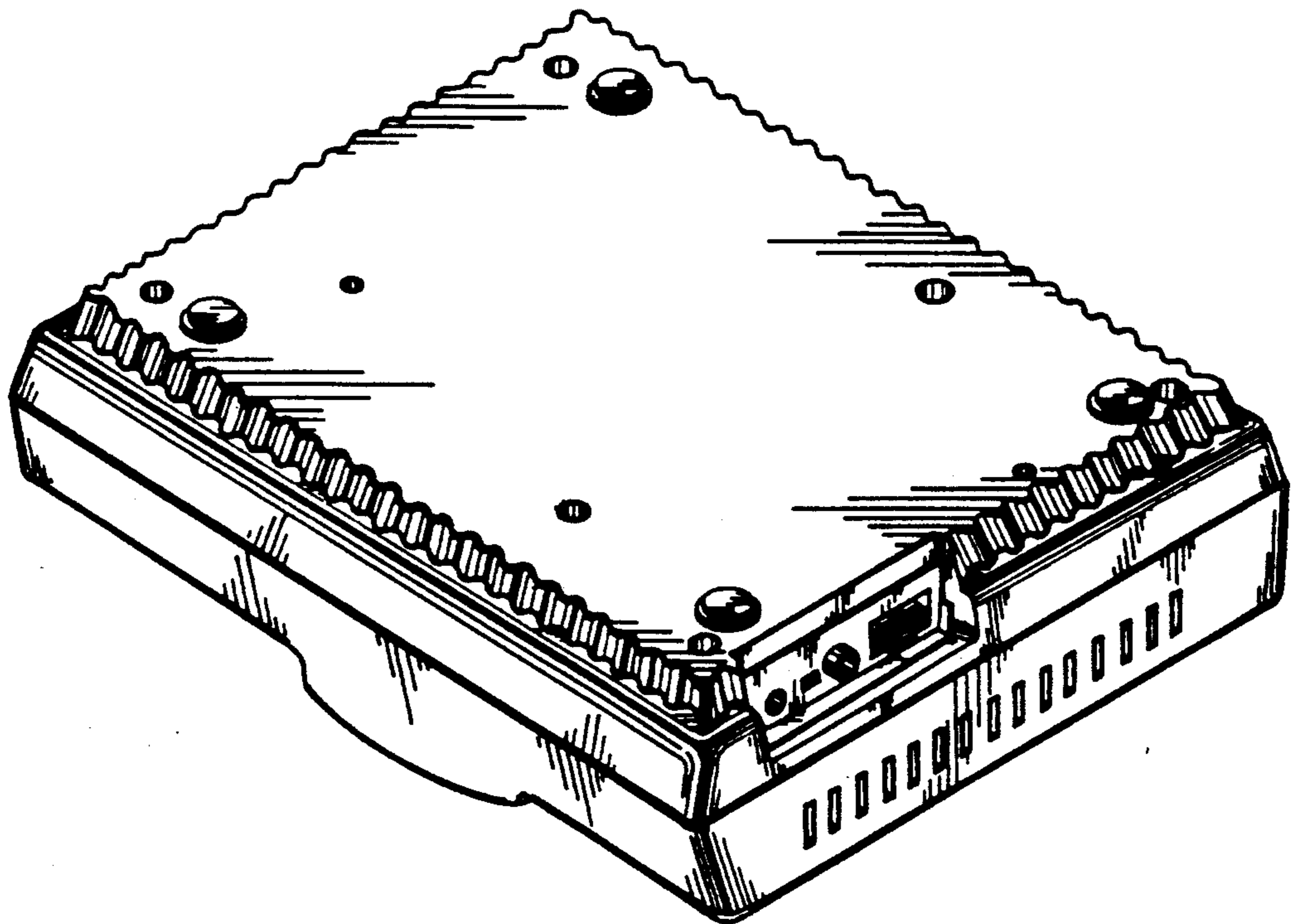


FIG. 12

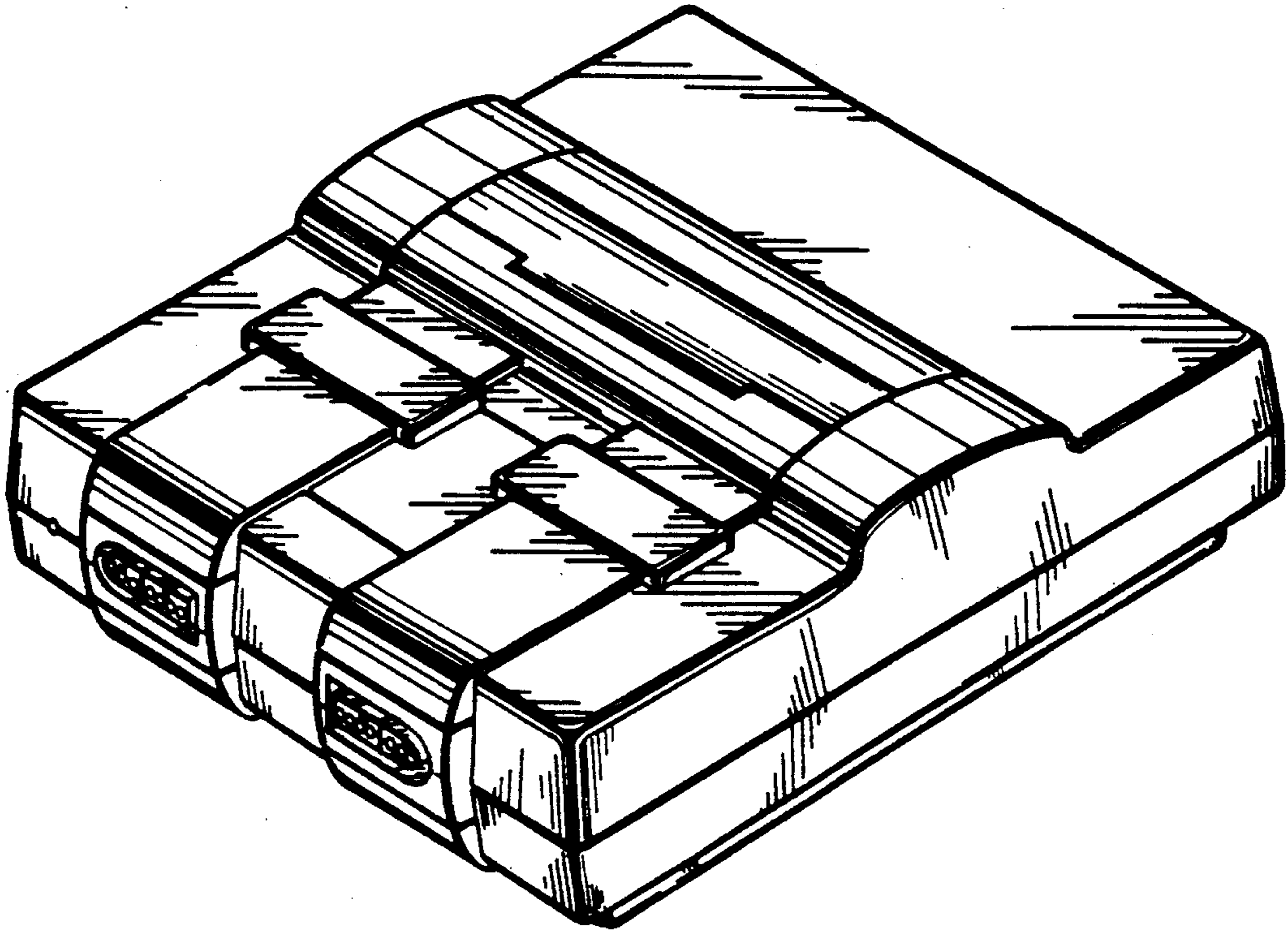


FIG. 13

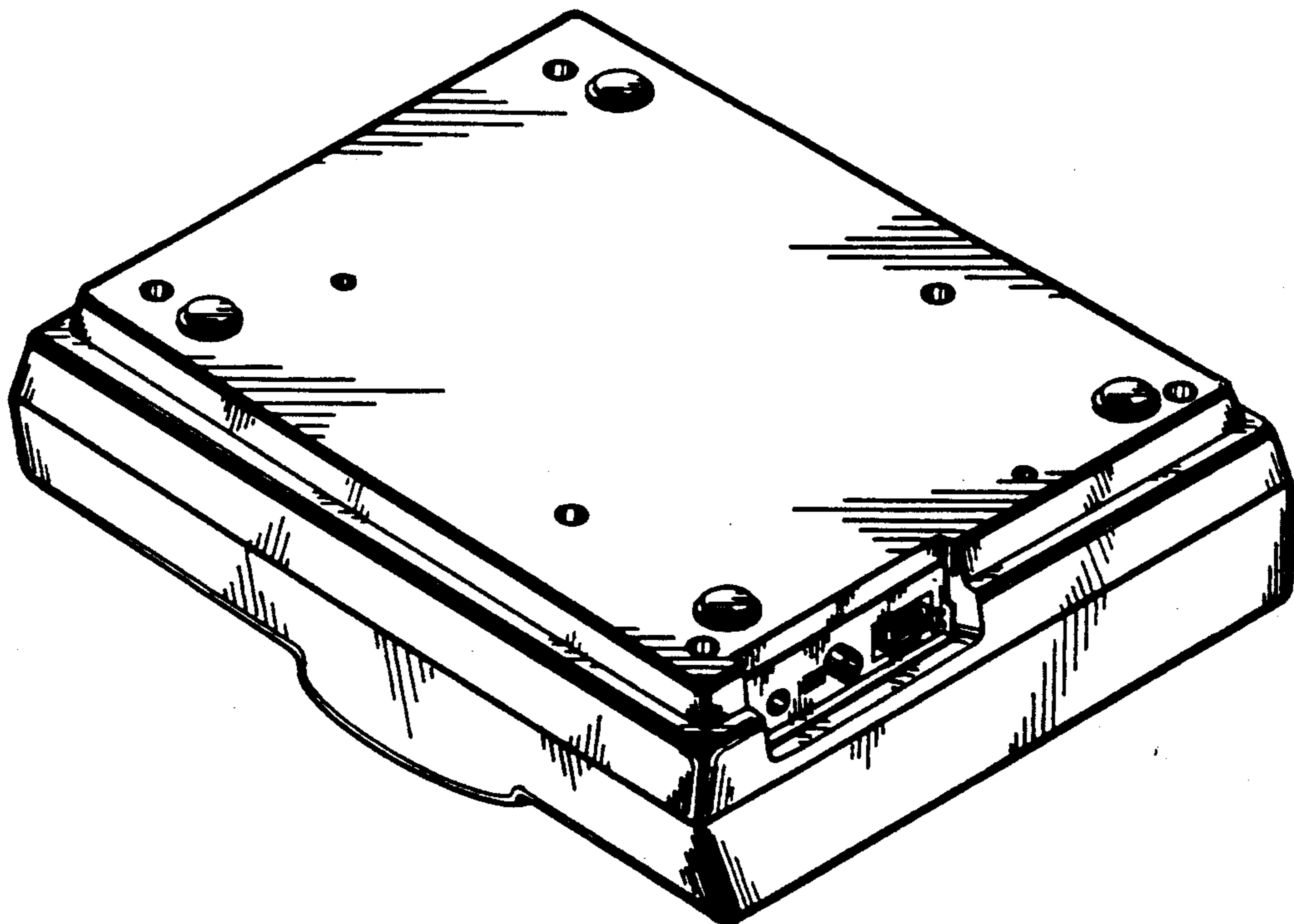


FIG. 14

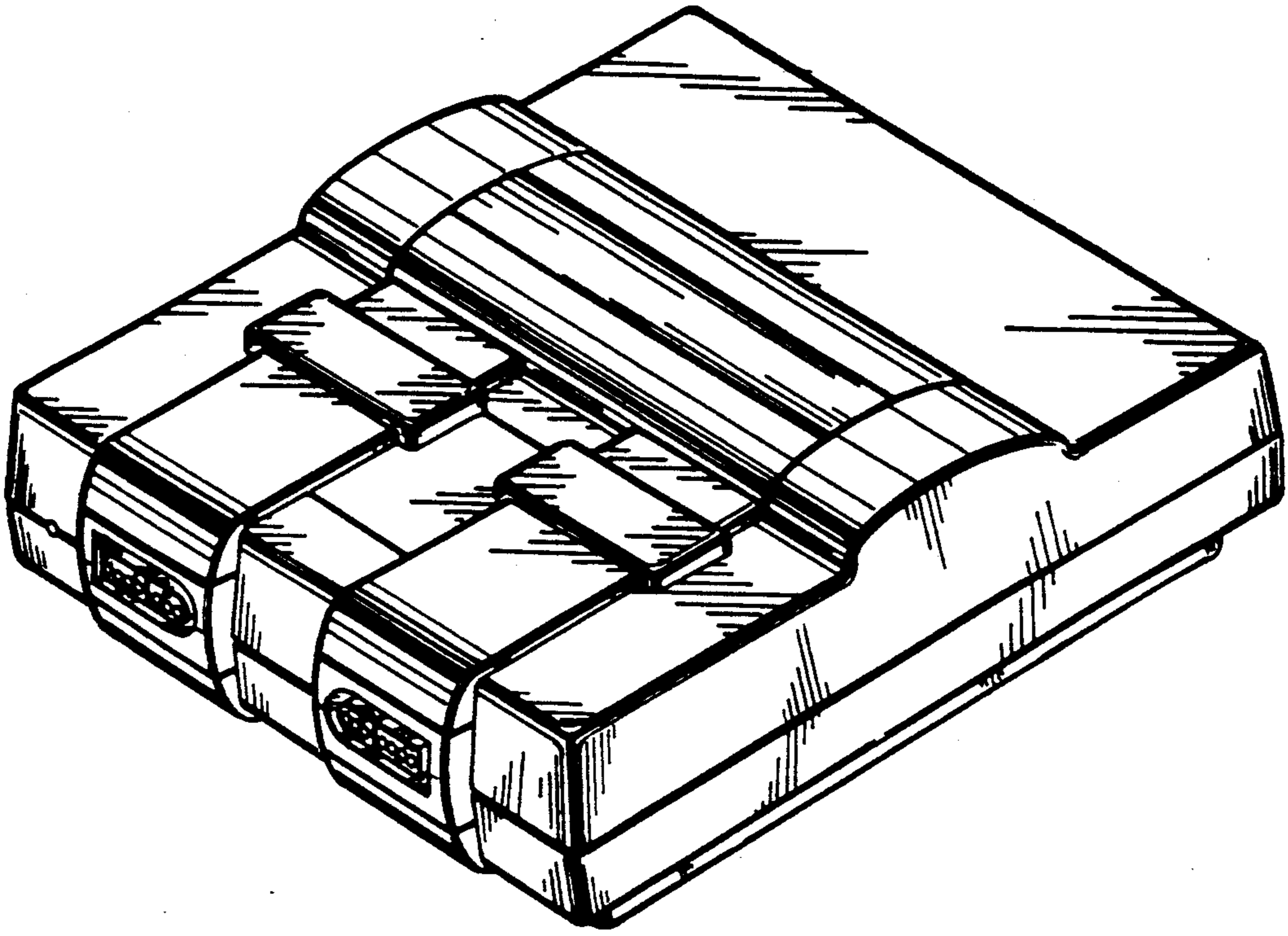


FIG. 15

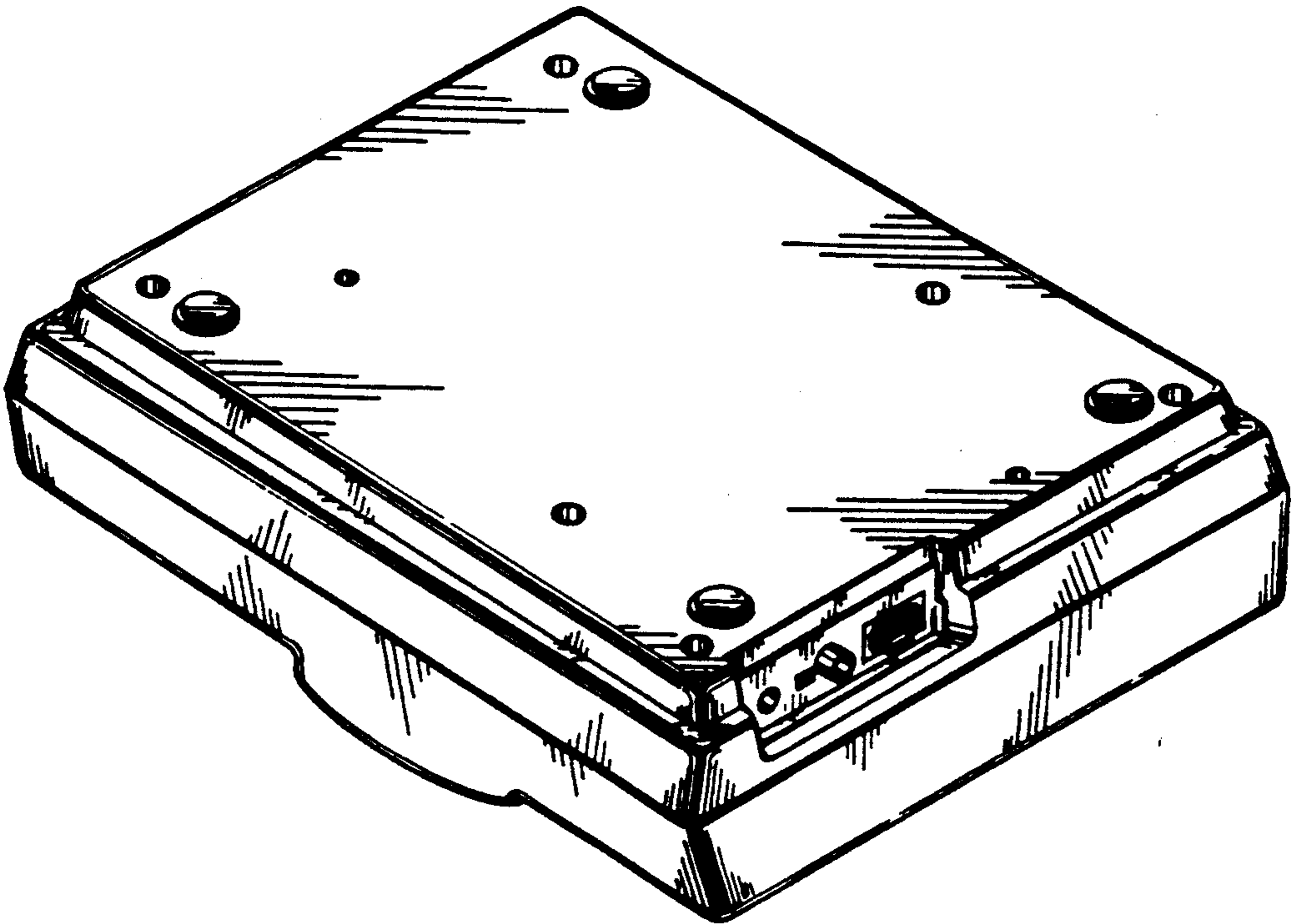


FIG. 16

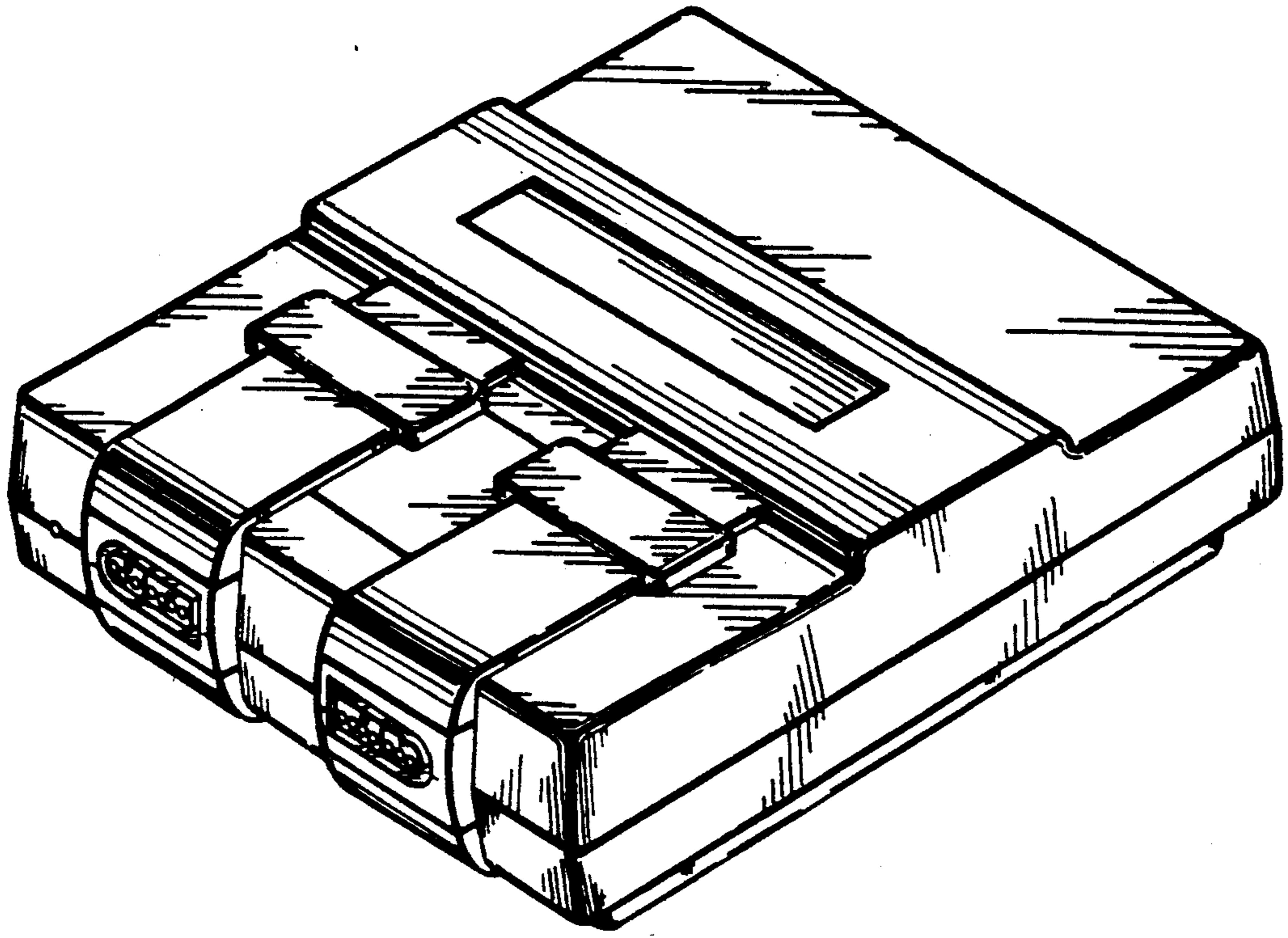


FIG. 17

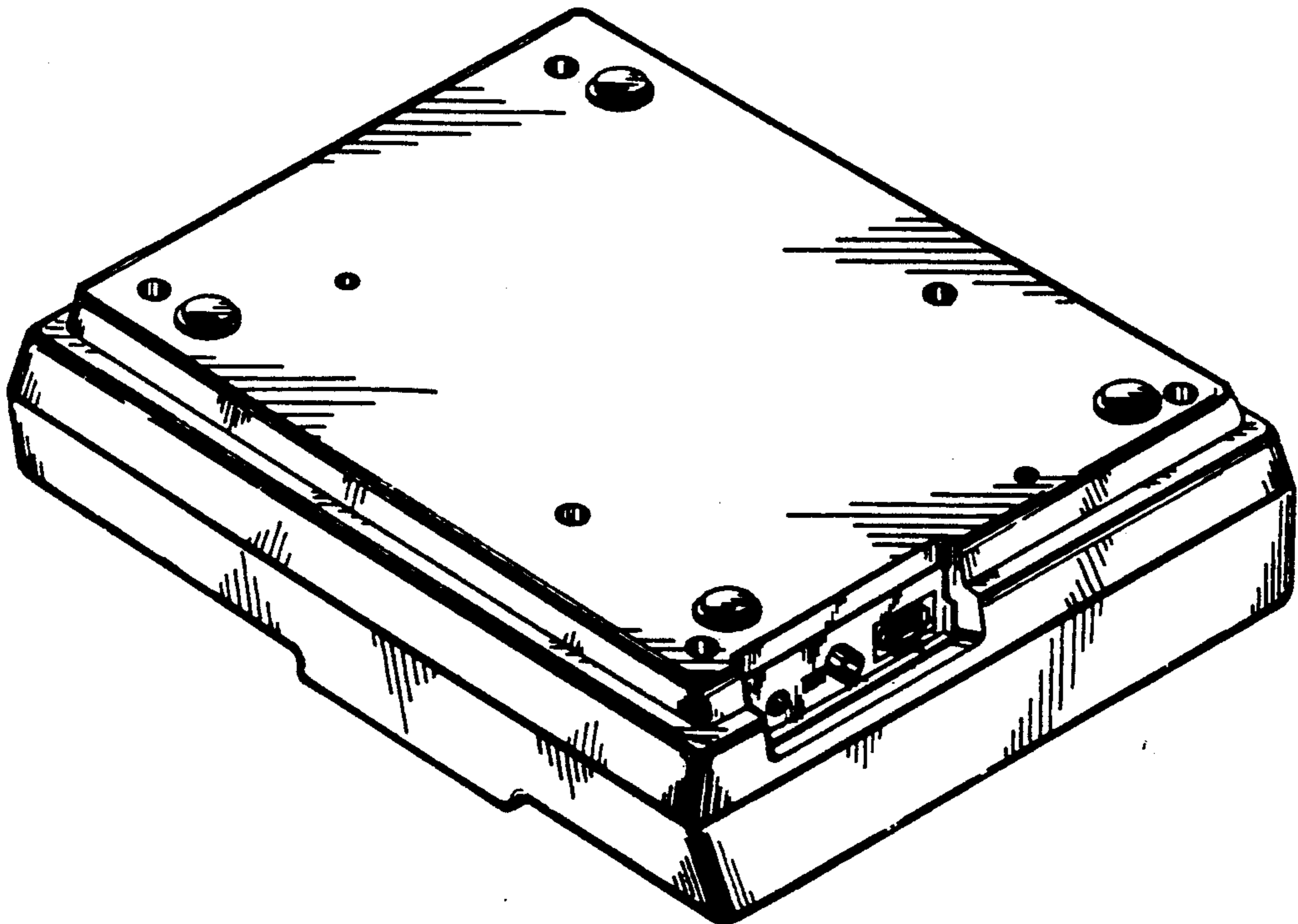


FIG. 18

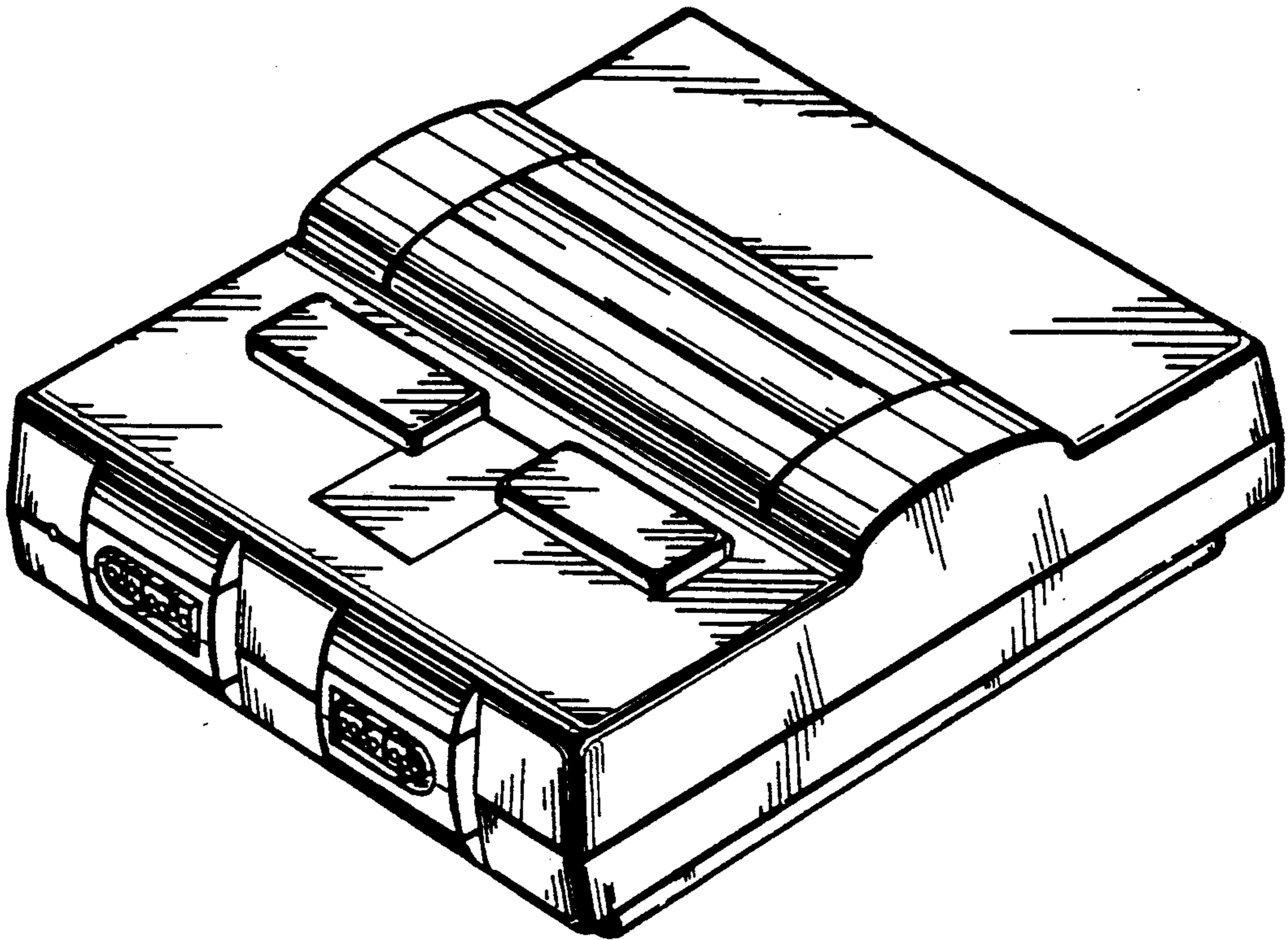


FIG. 19

