



US00D333684S

United States Patent [19]

[11] Patent Number: **Des. 333,684**

Revell

[45] Date of Patent: **** Mar. 2, 1993**

[54] TOY TOW TRUCK

[75] Inventor: **Ian T. Revell**, Knutsford, Great Britain

[73] Assignee: **Kiddicraft Limited**, Berkshire, England

[**] Term: **14 Years**

[21] Appl. No.: **728,077**

[22] Filed: **Jul. 10, 1991**

[30] Foreign Application Priority Data

Jan. 11, 1991 [GB] United Kingdom 2012278

[52] U.S. Cl. **D21/139**

[58] Field of Search D21/71, 76, 80, 81, D21/121, 128, 132, 134, 137, 139, 140, 141, 159; D12/88, 135, 211; D6/300; D34/12; 446/425, 424, 444, 455, 426, 440, 465, 456, 457, 470, 471; 280/87.042, 47.31, 47.26, 87.041, 47.27, 30, 206; 180/180

[56] References Cited

U.S. PATENT DOCUMENTS

D. 202,637 10/1965 Campbell D21/139
D. 211,808 7/1968 Genin D21/139

D. 216,320 12/1969 Smith D21/159
D. 258,974 4/1981 Samuels D21/139
D. 293,342 12/1987 Thomson D21/139
D. 311,046 10/1990 Yaneck D21/159
D. 318,310 7/1991 Trossman D21/159
3,492,757 2/1970 Balthazor 446/426

OTHER PUBLICATIONS

Tomy toy catalog 1984, p. 9 #1043.

Primary Examiner—Bernard Ansher

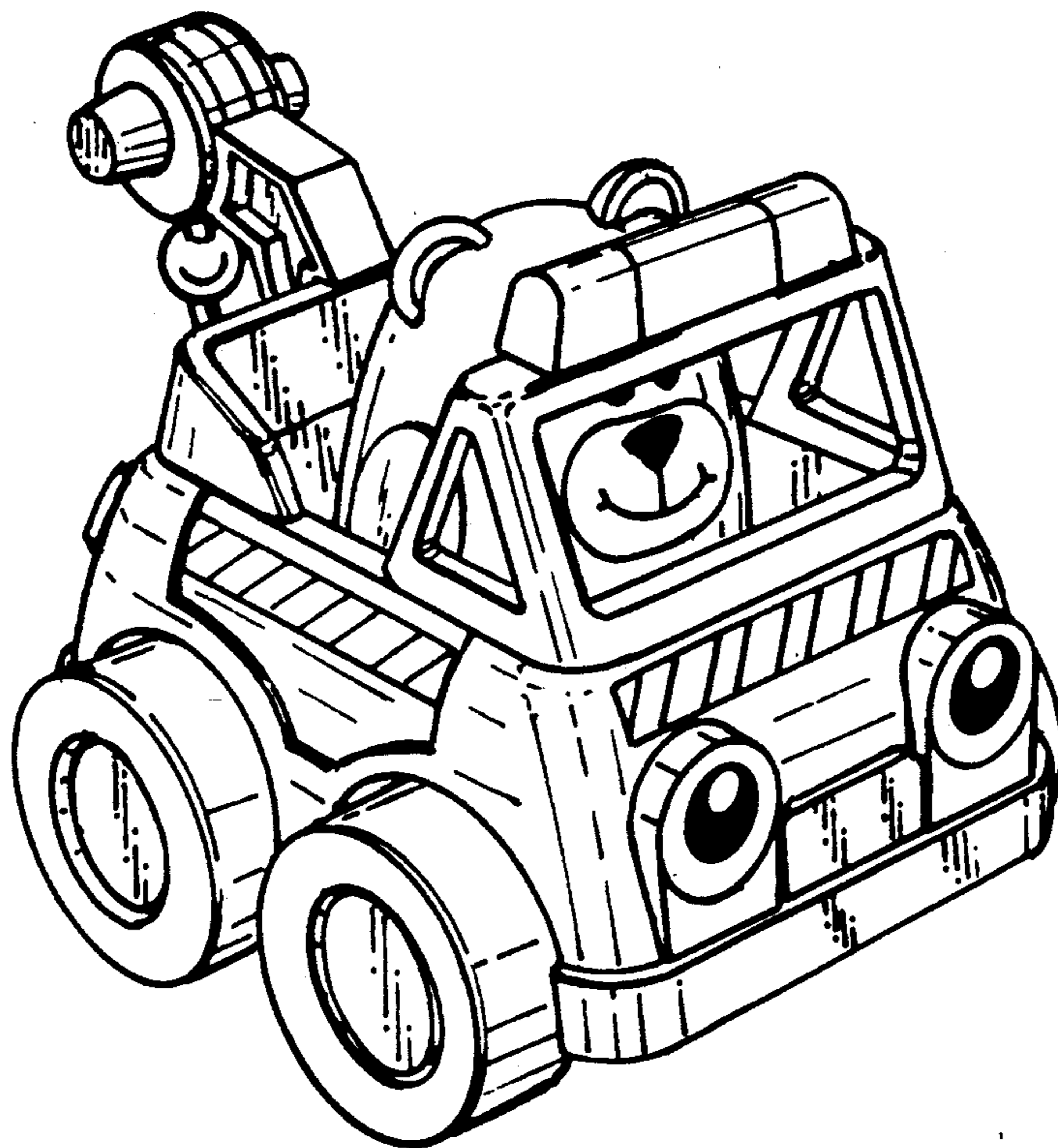
Assistant Examiner—R. Barkai

[57] CLAIM

The ornamental design for a toy tow truck, as shown and described.

DESCRIPTION

FIG. 1 is a front elevational view of a toy tow truck showing my new design;
FIG. 2 is a rear elevational view thereof;
FIG. 3 is a left side elevational view thereof;
FIG. 4 is a right side elevational view thereof;
FIG. 5 is a top plan view thereof;
FIG. 6 is a bottom plan view thereof;
FIG. 7 is a perspective view thereof; and,
FIG. 8 is a perspective view thereof with the toy figure shown separately for clarity of illustration.



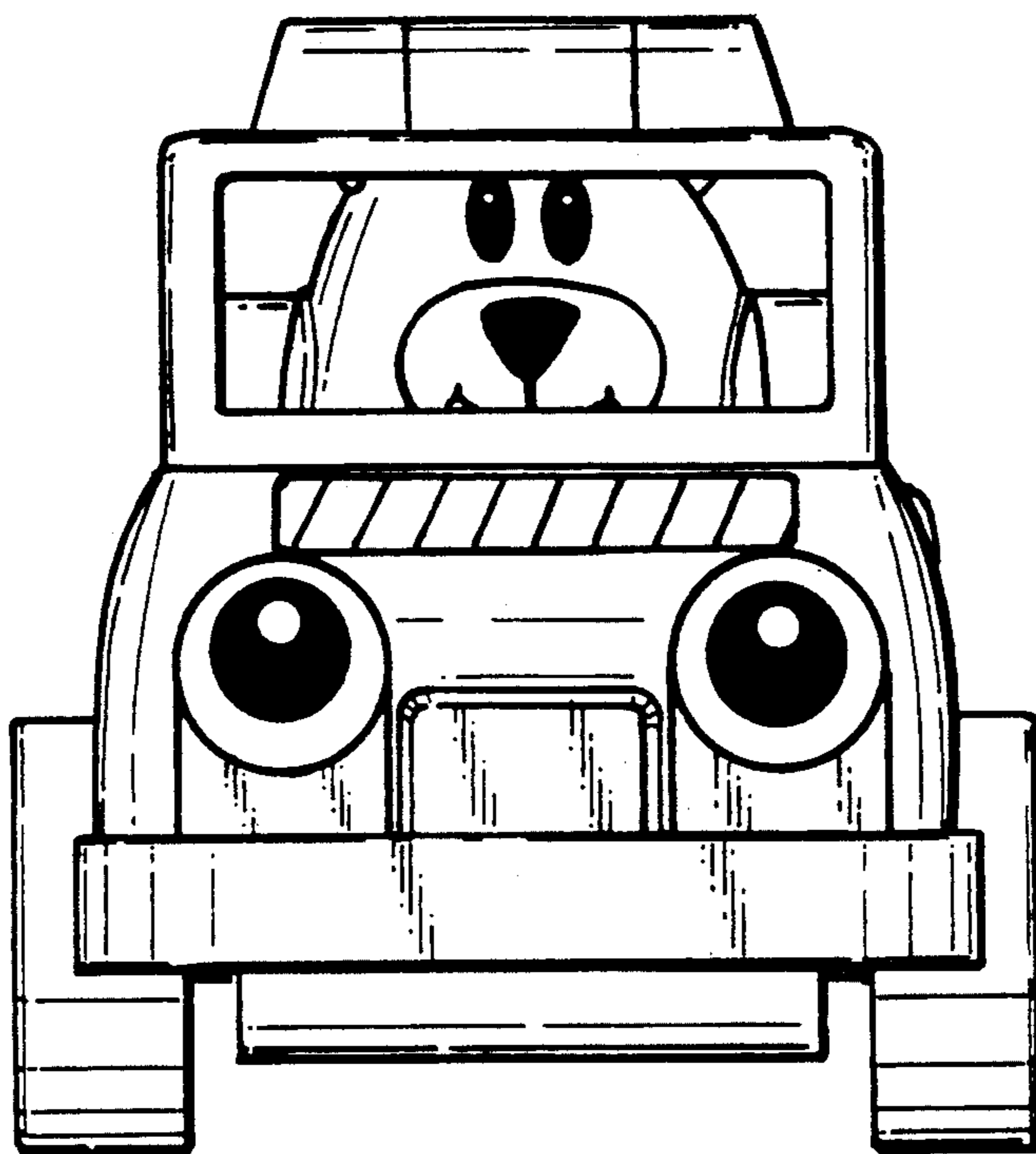


FIG. 1

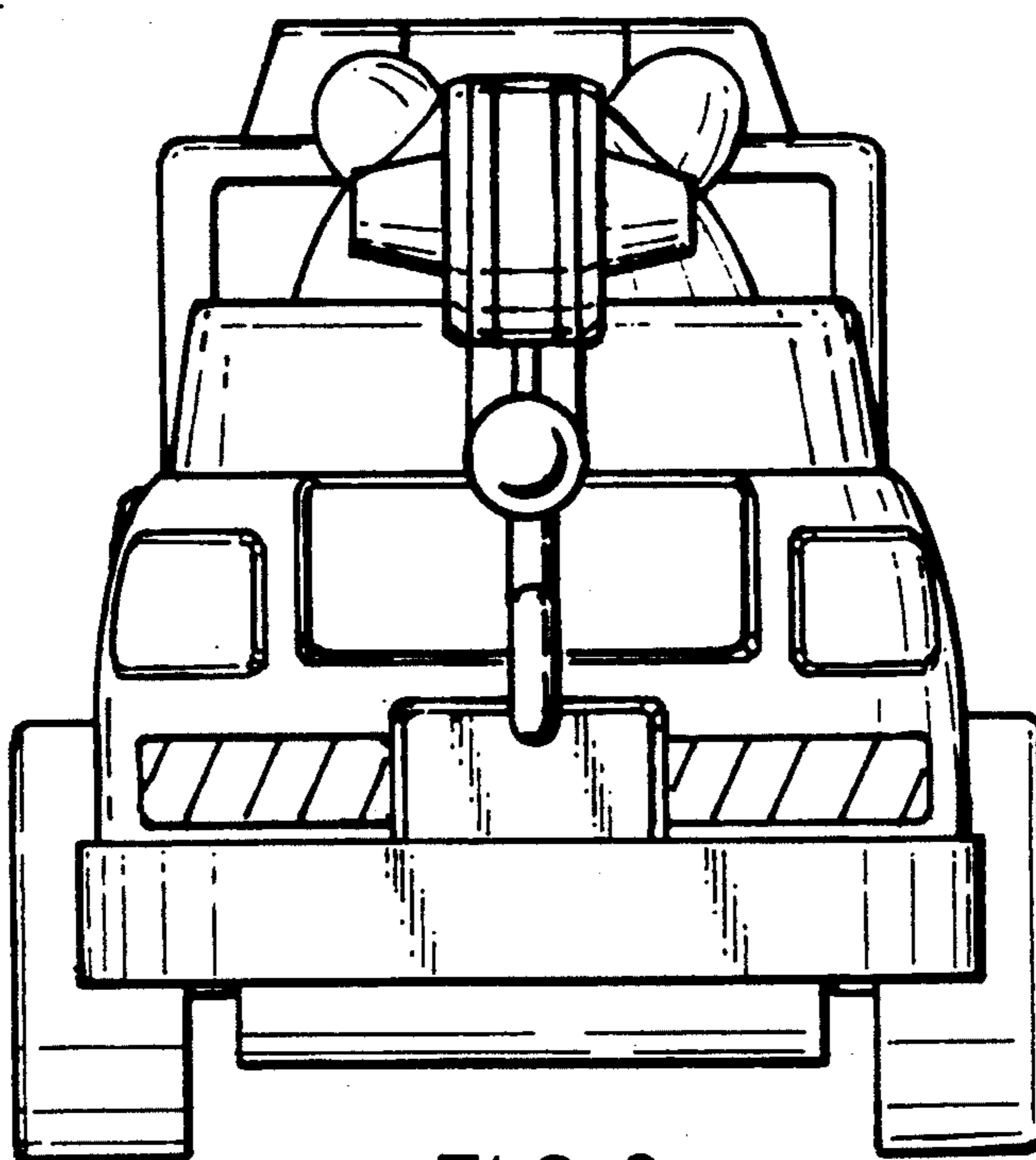


FIG. 2

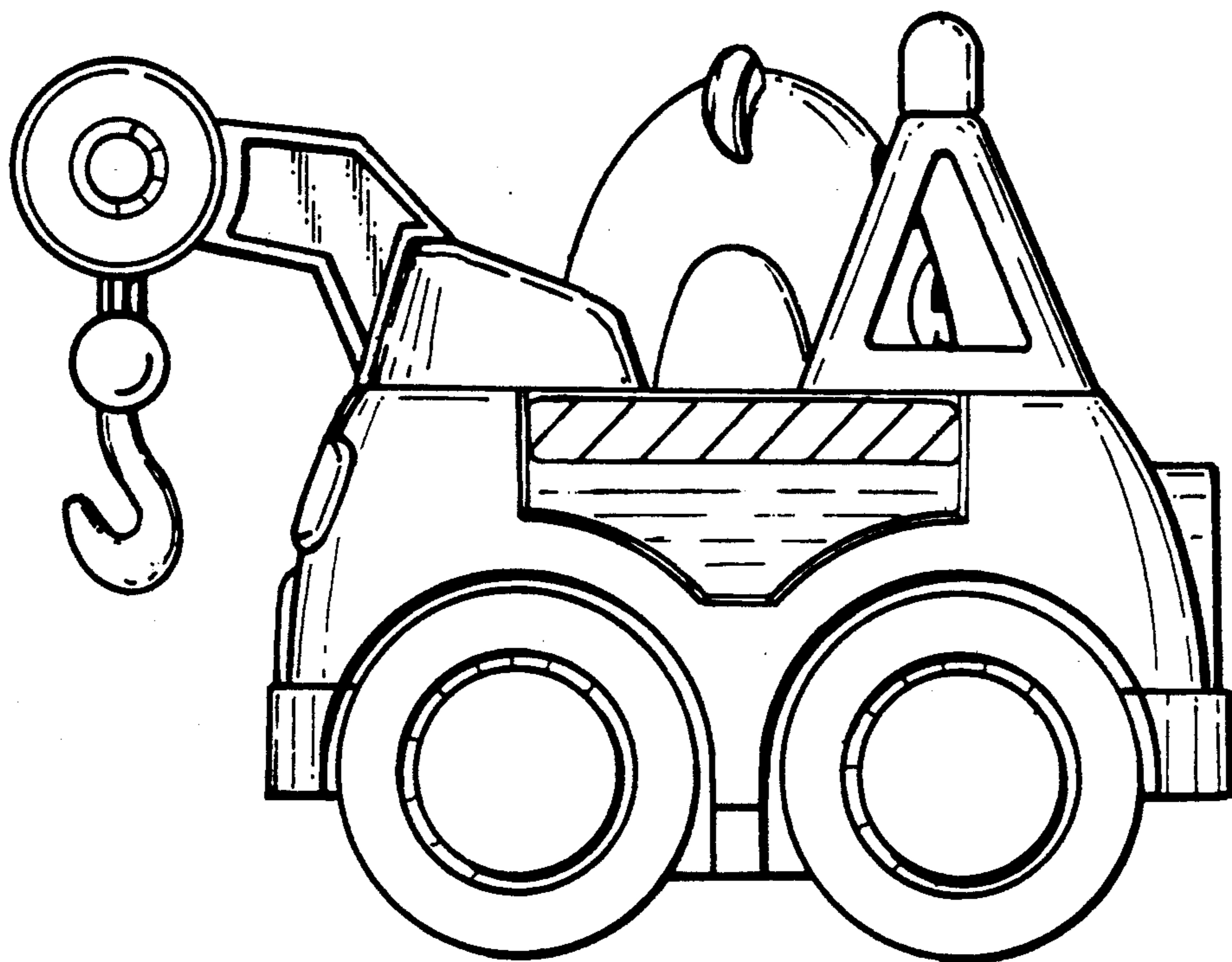


FIG. 3

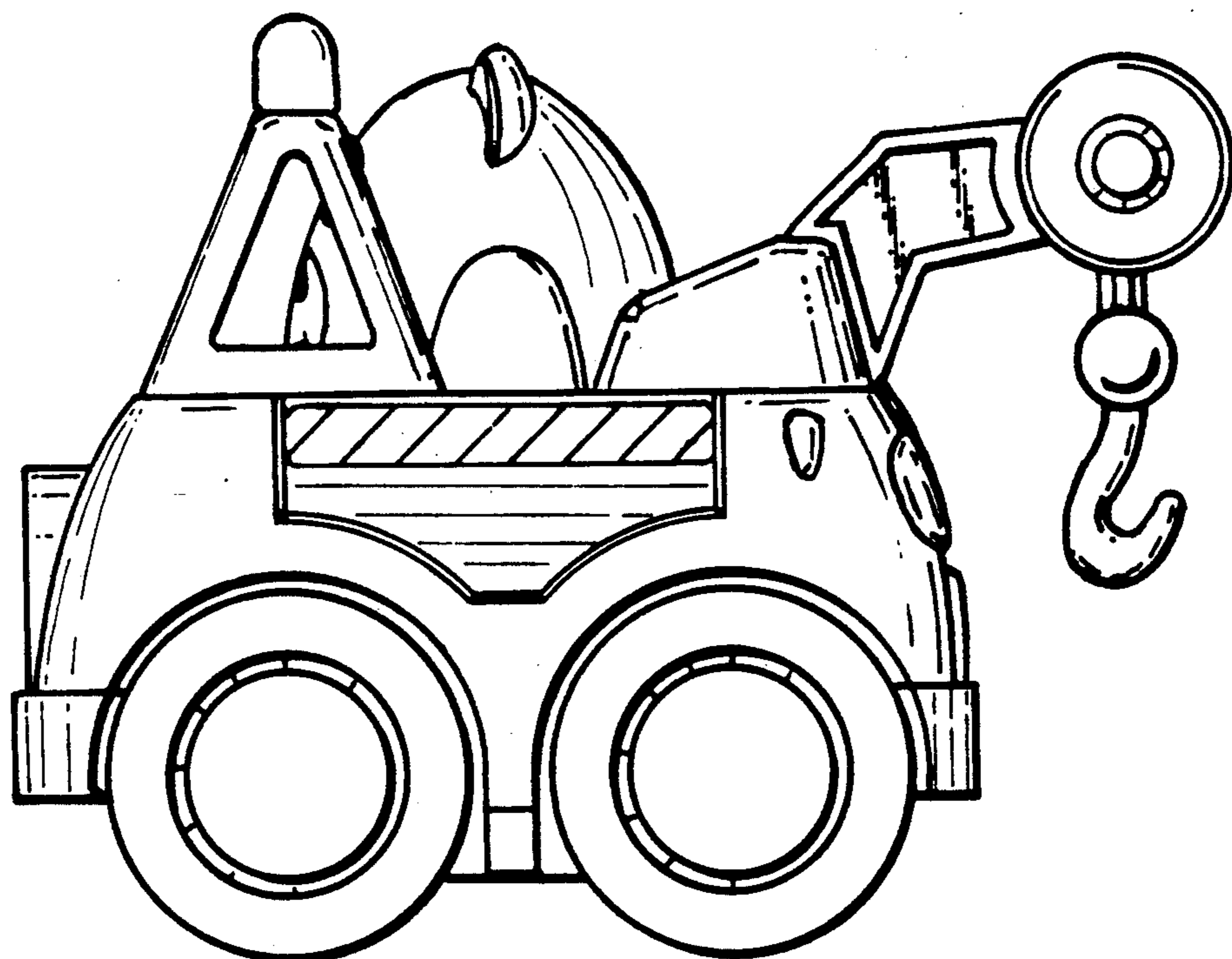


FIG. 4

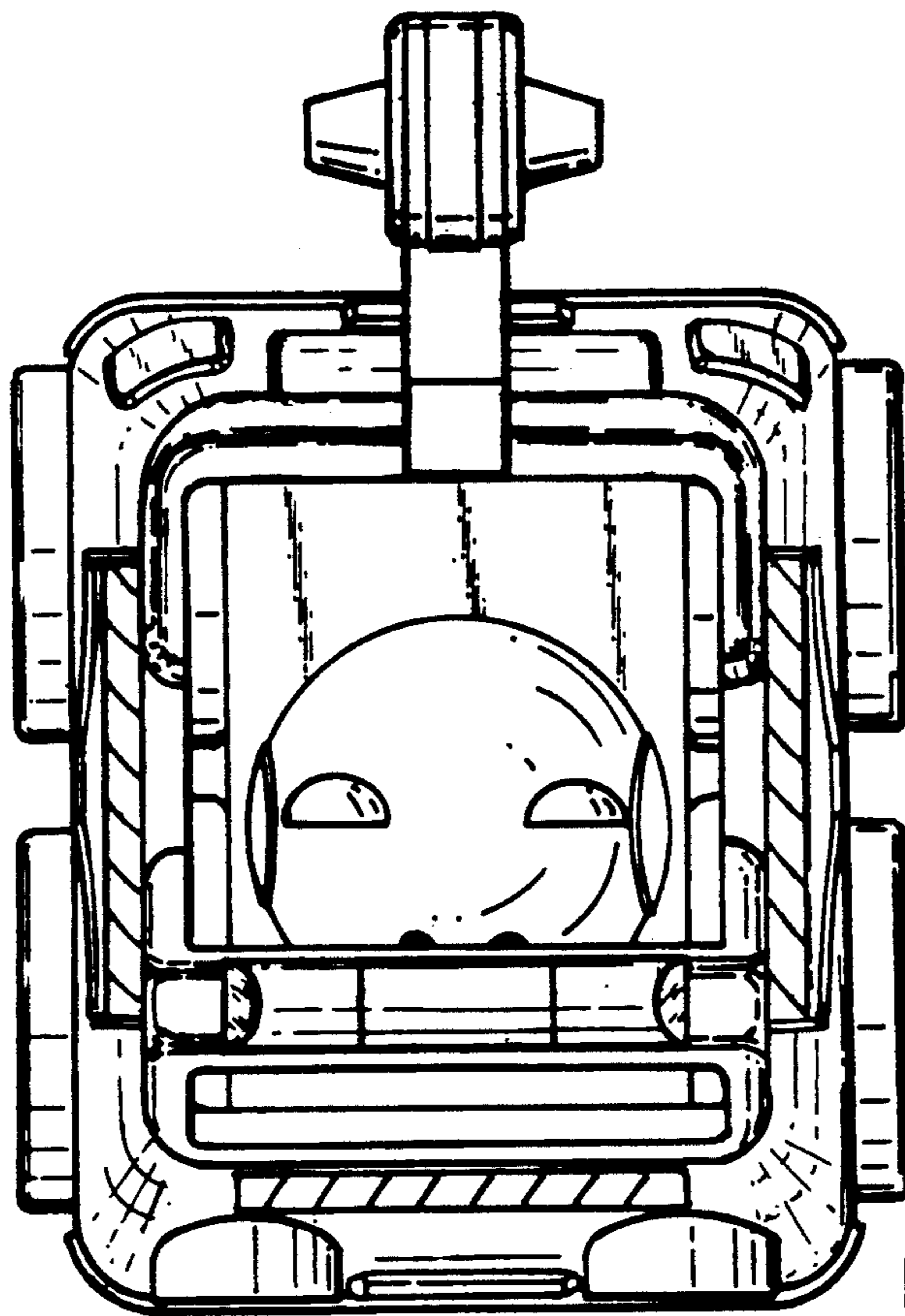


FIG. 5

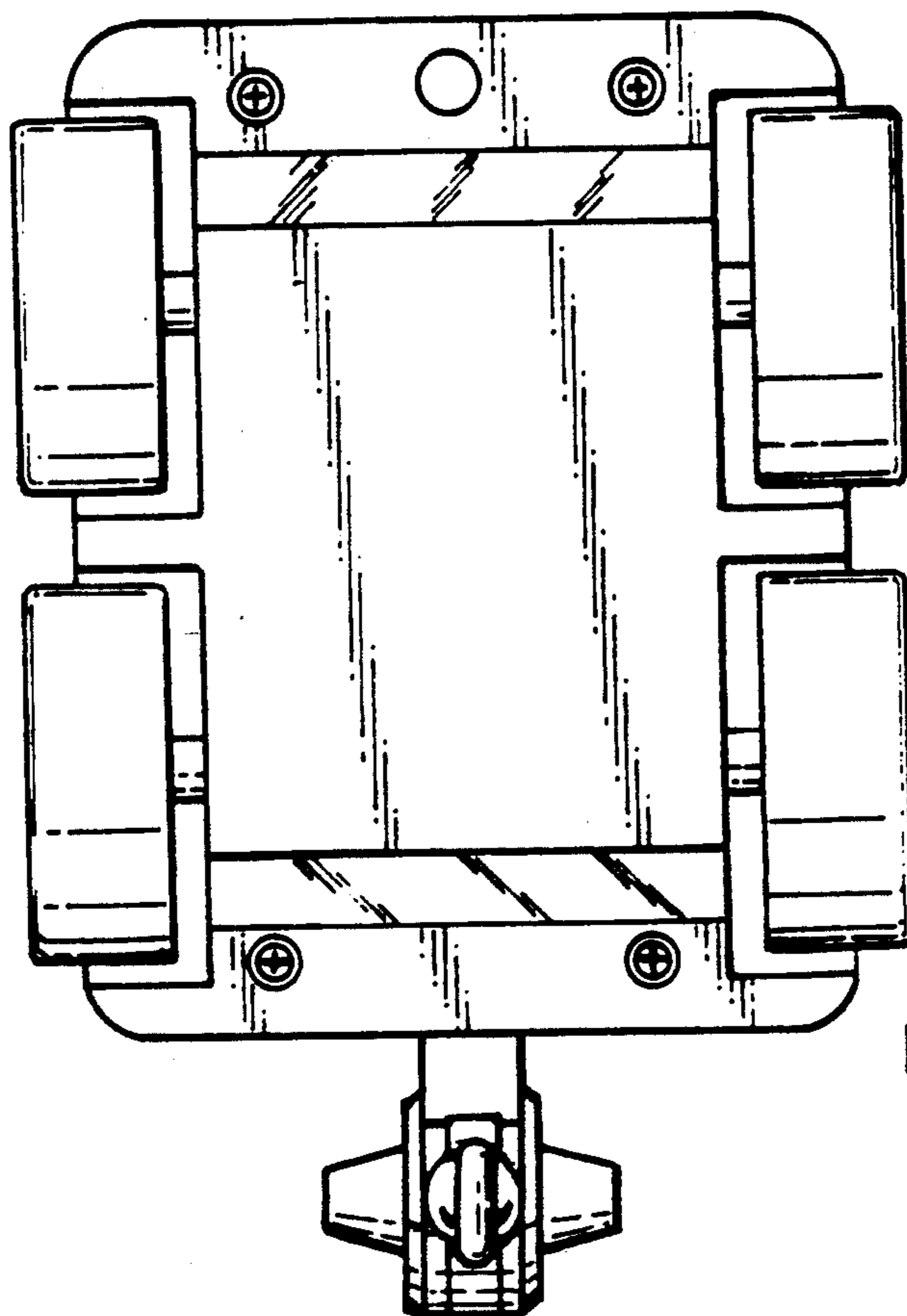


FIG. 6

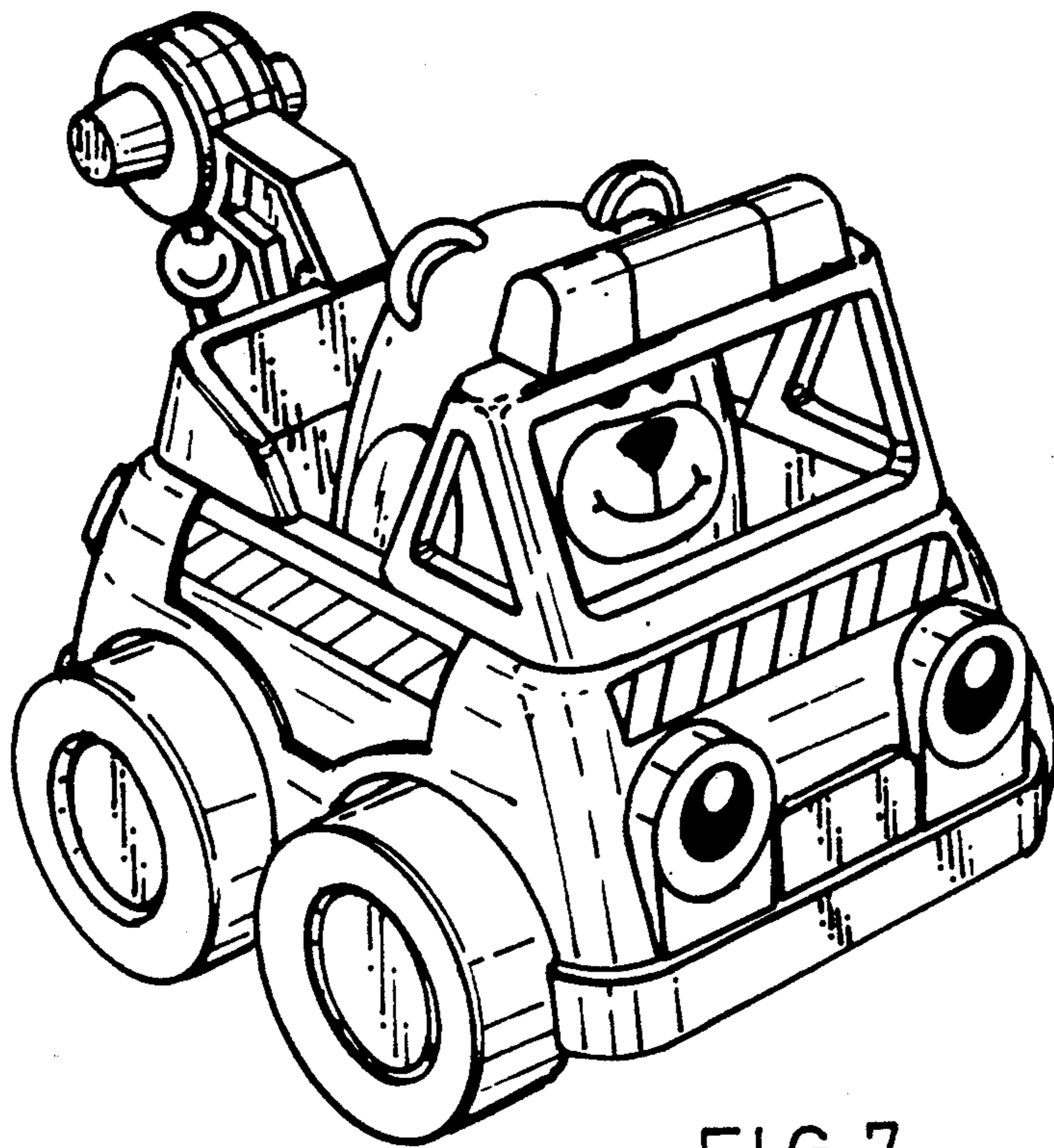


FIG. 7

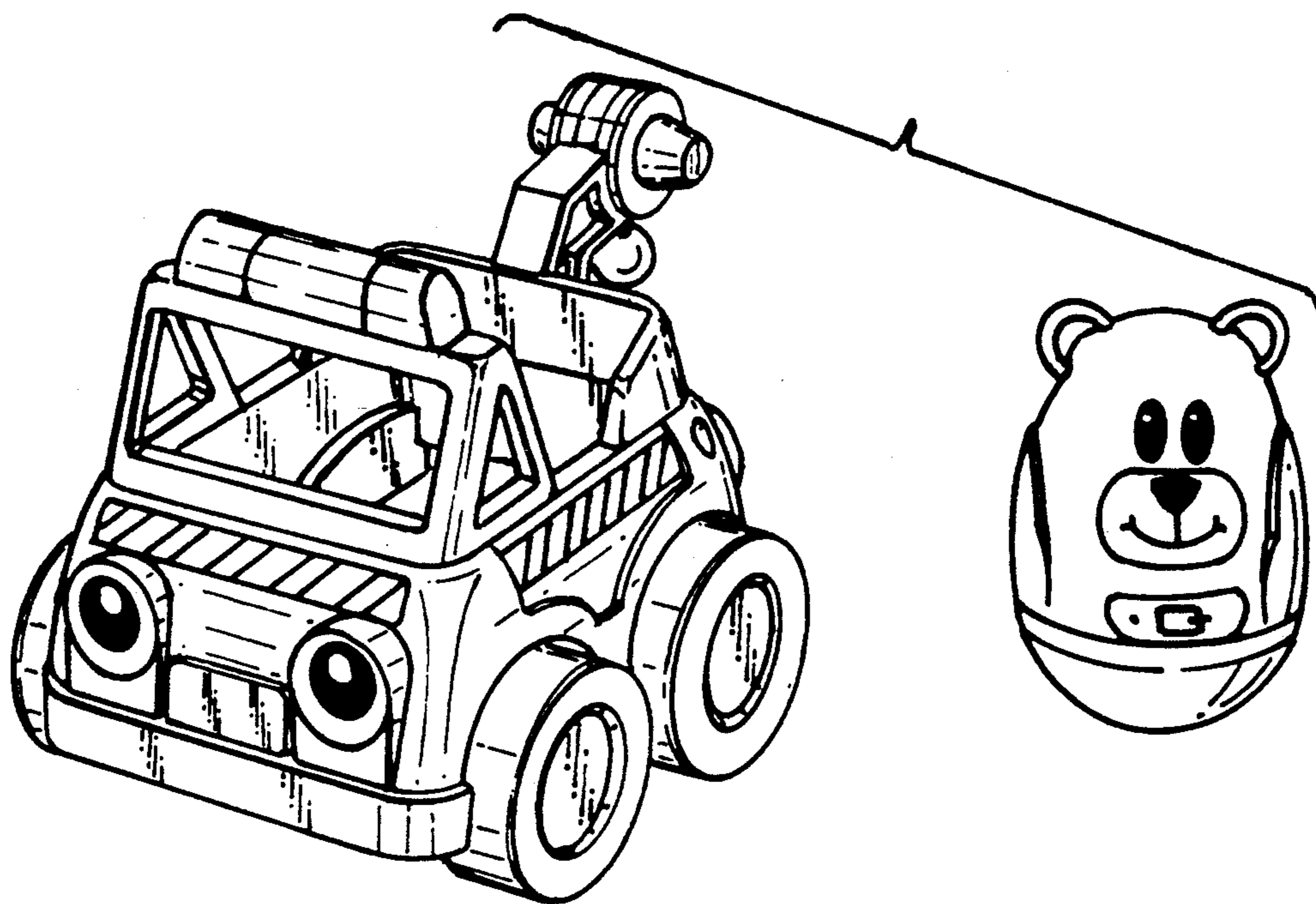


FIG. 8