



US00D333675S

United States Patent [19]

Chiovitti

[11] Patent Number: **Des. 333,675**

[45] Date of Patent: **** Mar. 2, 1993**

[54] **PRINTING HEAD**

[76] Inventor: **Angelo M. Chiovitti**, 585 Joslin Rd.,
Harrisville, R.I. 02830

[**] Term: **14 Years**

[21] Appl. No.: **522,965**

[22] Filed: **May 14, 1990**

[52] U.S. Cl. **D18/56**

[58] Field of Search 101/333, 334, 335;
400/471; D18/18, 56, 58, 40, 43, 15

[56] **References Cited**

U.S. PATENT DOCUMENTS

D. 239,057	3/1976	Utzing	D18/18
2,797,639	7/1957	Hitch	101/333
4,004,511	1/1977	de Groot	101/334
4,015,525	4/1977	Shenoha	101/333
4,181,560	1/1980	Maitland	101/333
4,347,787	9/1982	Takada et al.	101/333
4,699,054	10/1987	Scrudato et al.	101/335
4,760,788	8/1988	Marozzi et al.	101/333
4,962,703	10/1990	Bishop	101/334
4,970,954	11/1990	Weir et al.	101/334

5,042,382 8/1991 Yamazaki et al. 101/333

FOREIGN PATENT DOCUMENTS

0051576	4/1980	Japan	400/471
0011272	2/1981	Japan	400/471
655550	7/1951	United Kingdom	101/335

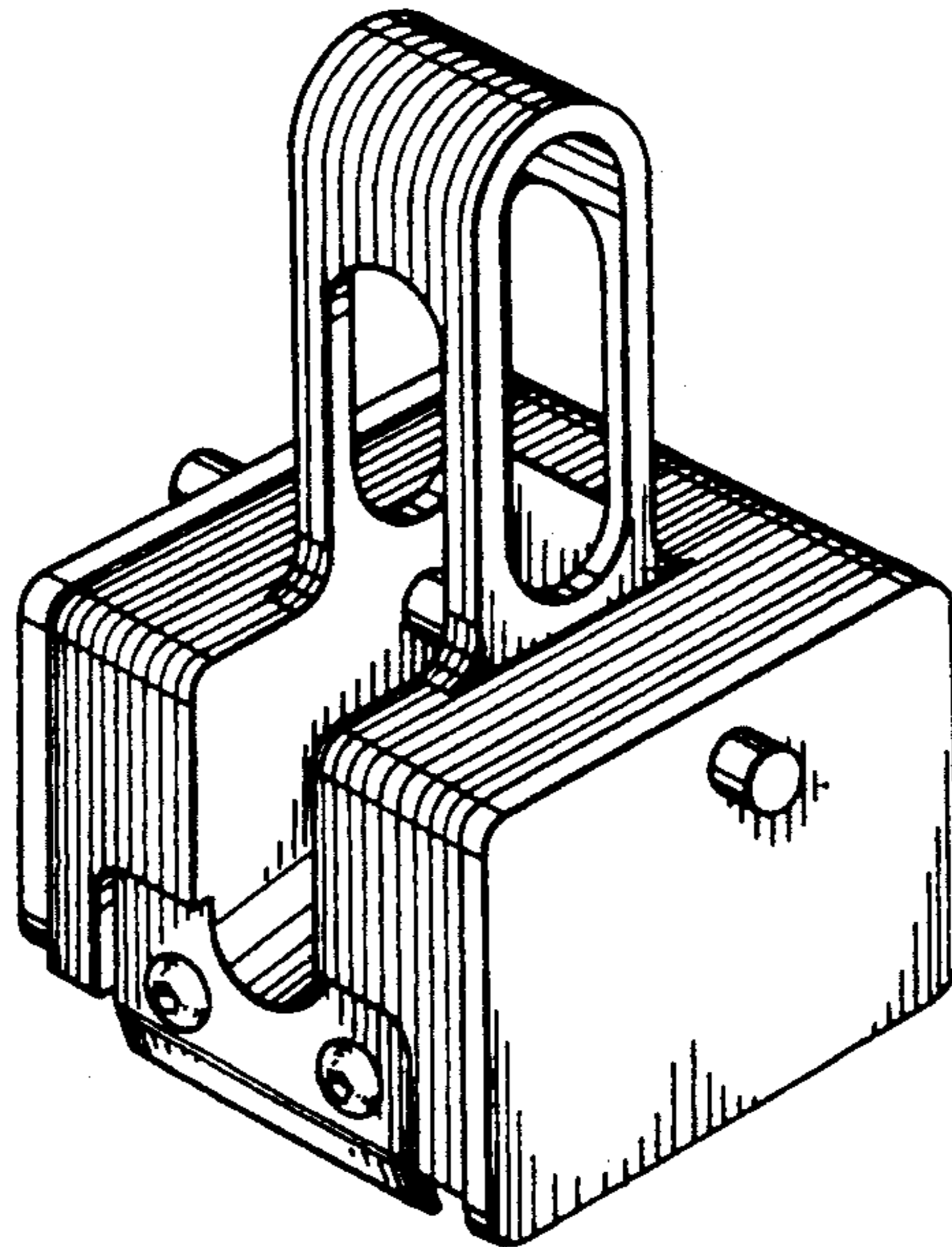
Primary Examiner—A. Hugo Word
Assistant Examiner—Cathy Anne MacCormac
Attorney, Agent, or Firm—Robert J. Doherty

[57] CLAIM

The ornamental design for a printing head, as shown and described.

DESCRIPTION

FIG. 1 is a side elevational view of a printing head showing my new design;
FIG. 2 is a front elevational view thereof;
FIG. 3 is a rear elevational view thereof;
FIG. 4 is a top plan view thereof;
FIG. 5 is a bottom plan view thereof;
FIG. 6 is a perspective view taken from the top, rear and one side thereof; and,
FIG. 7 is the side opposite that shown in FIG. 1 thereof.



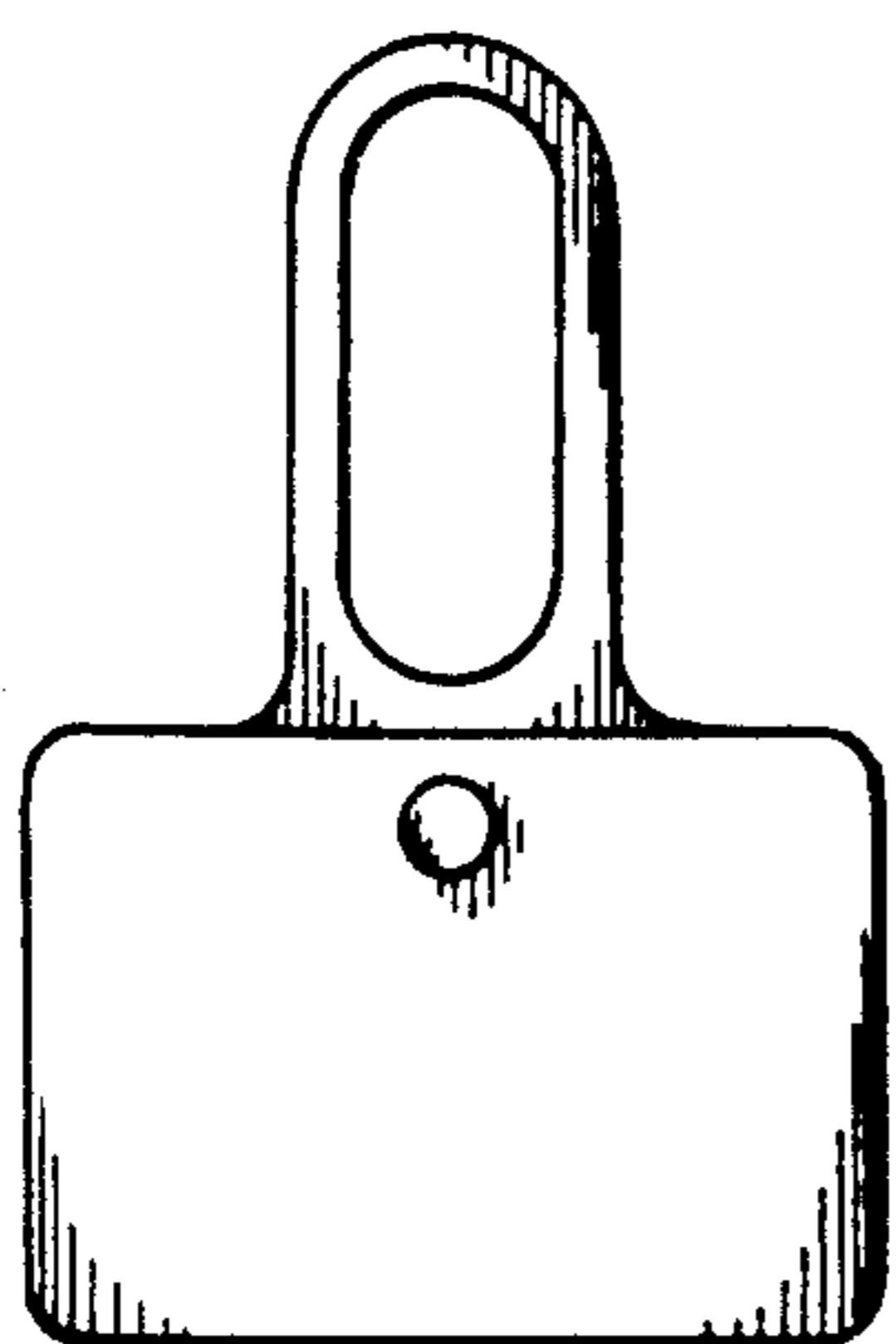


FIG. 1

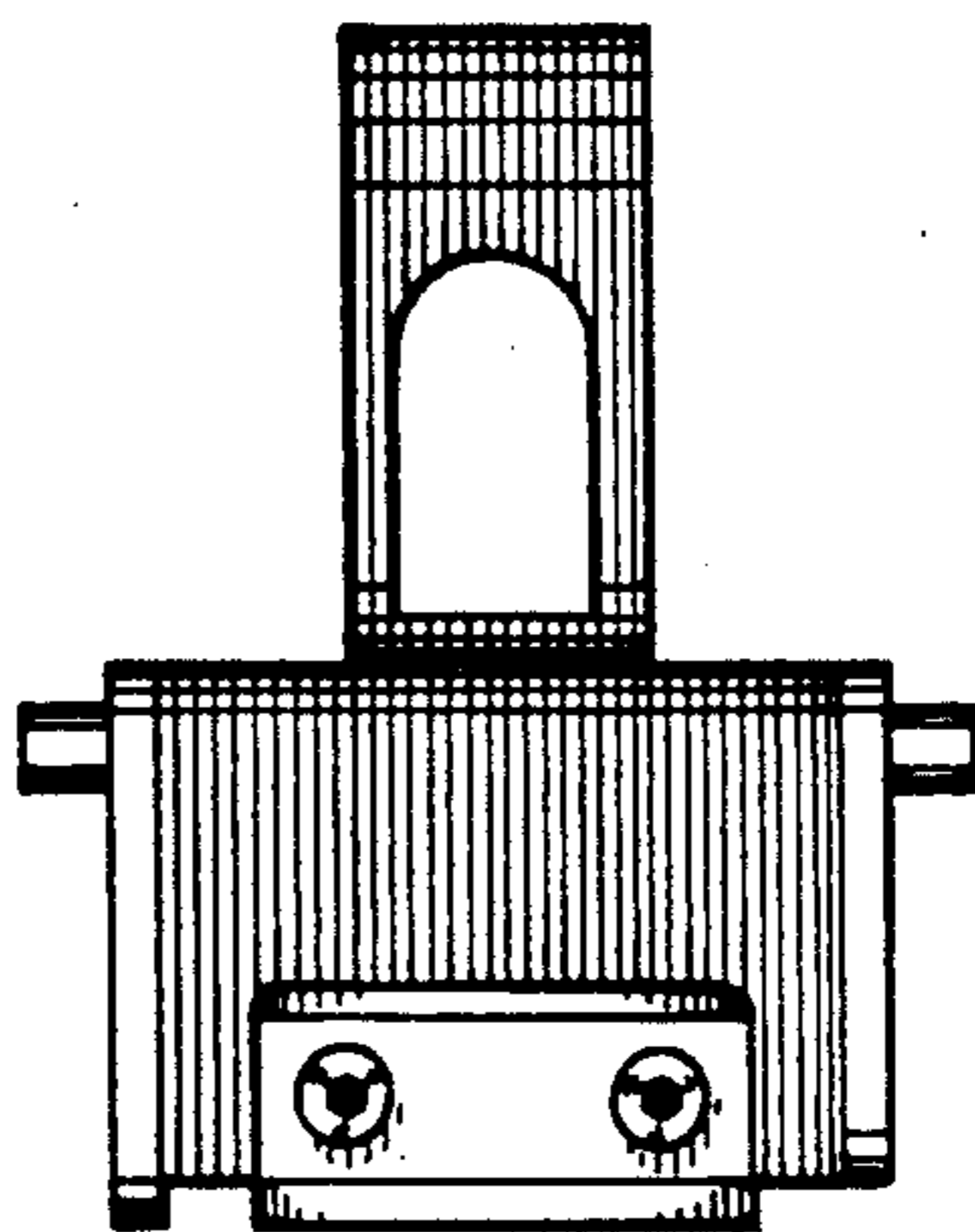


FIG. 2

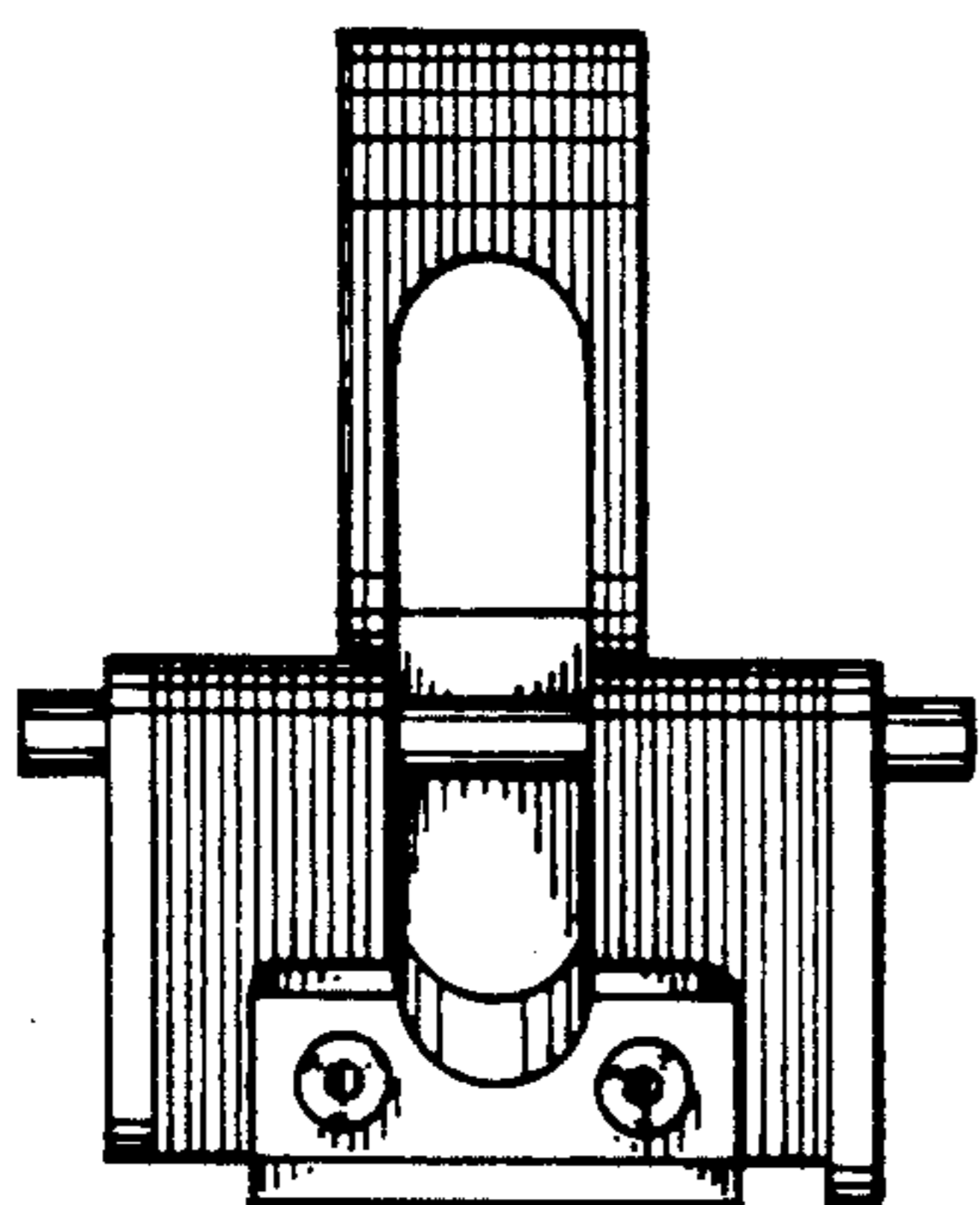


FIG. 3

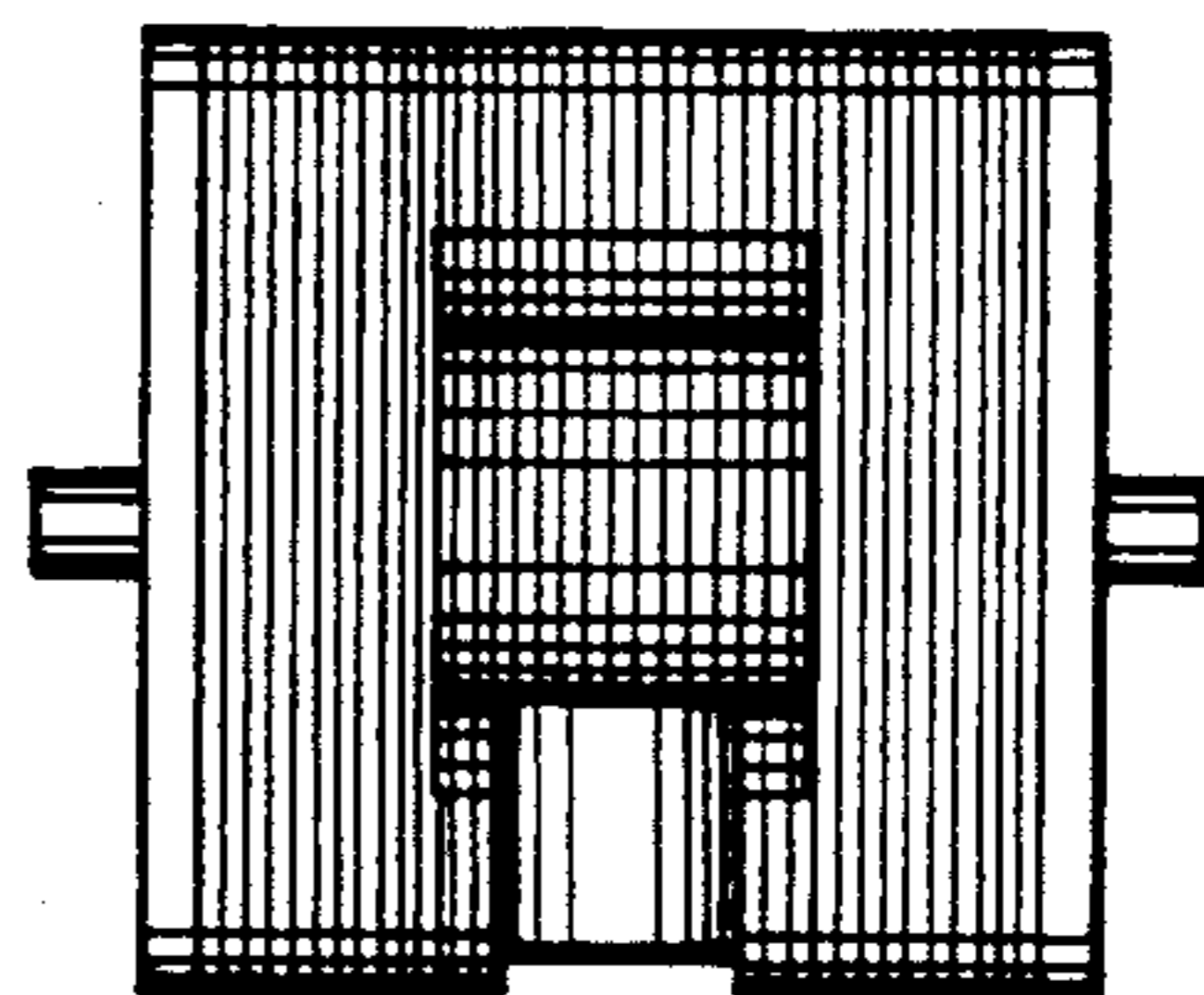


FIG. 4

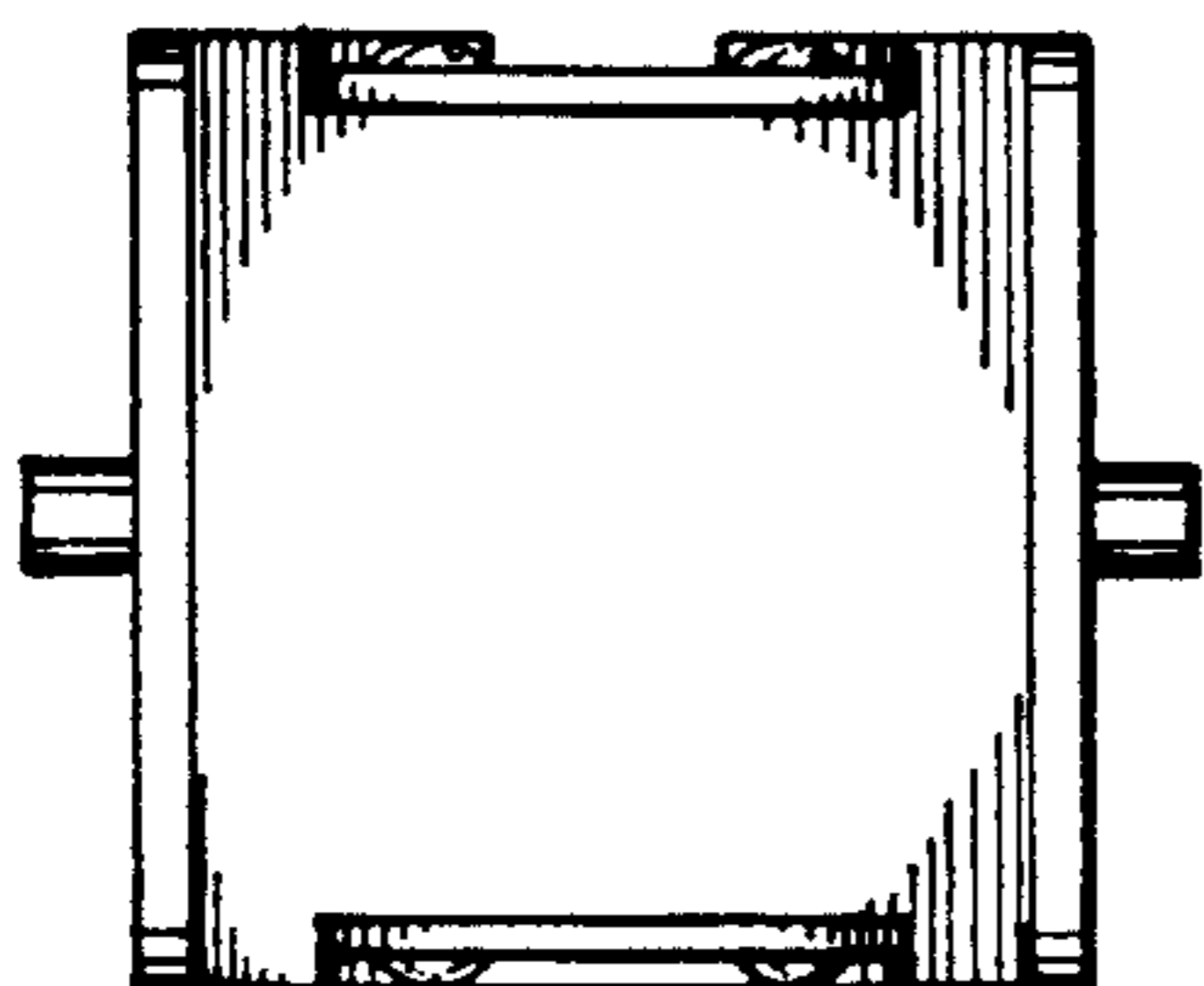


FIG. 5

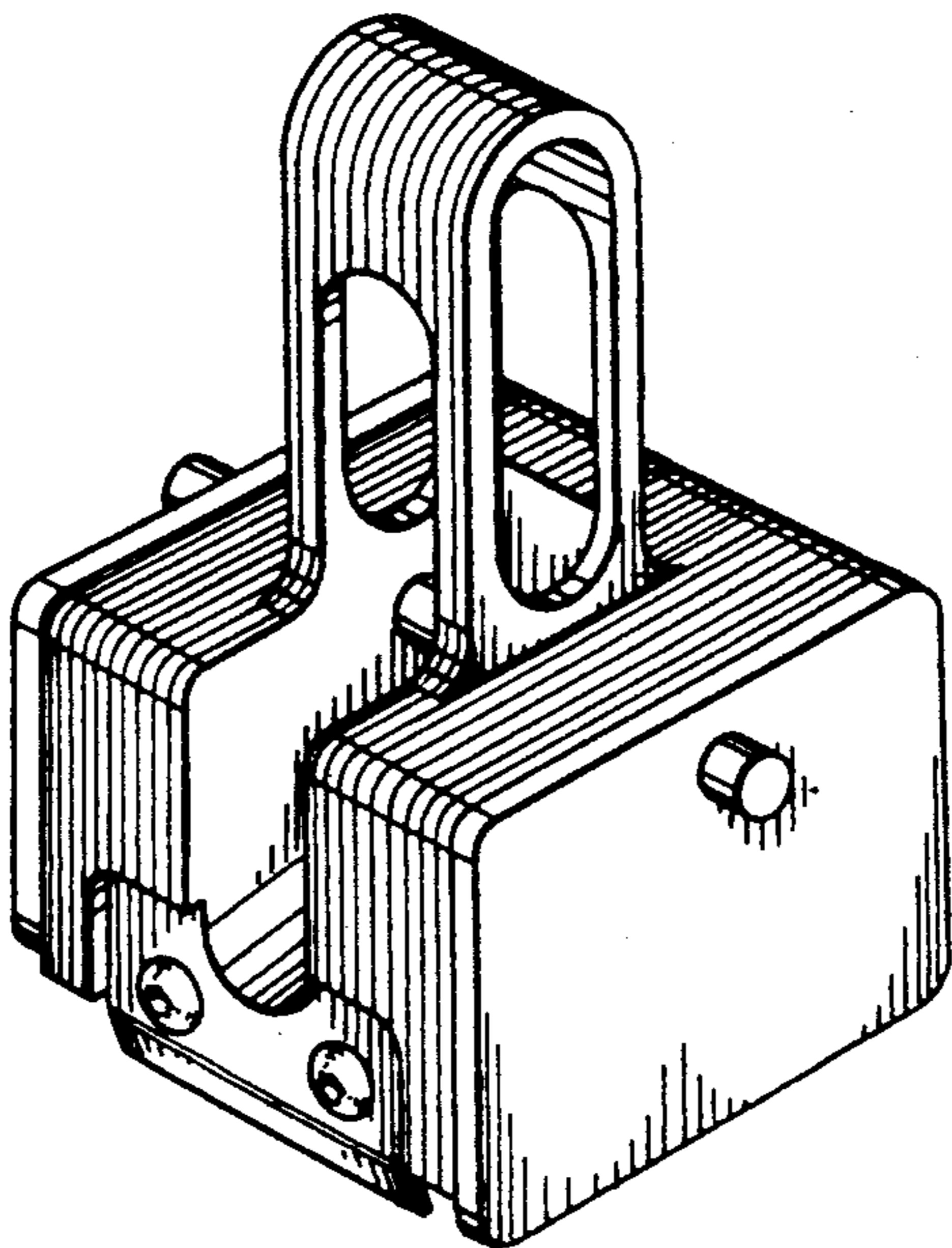


FIG. 6

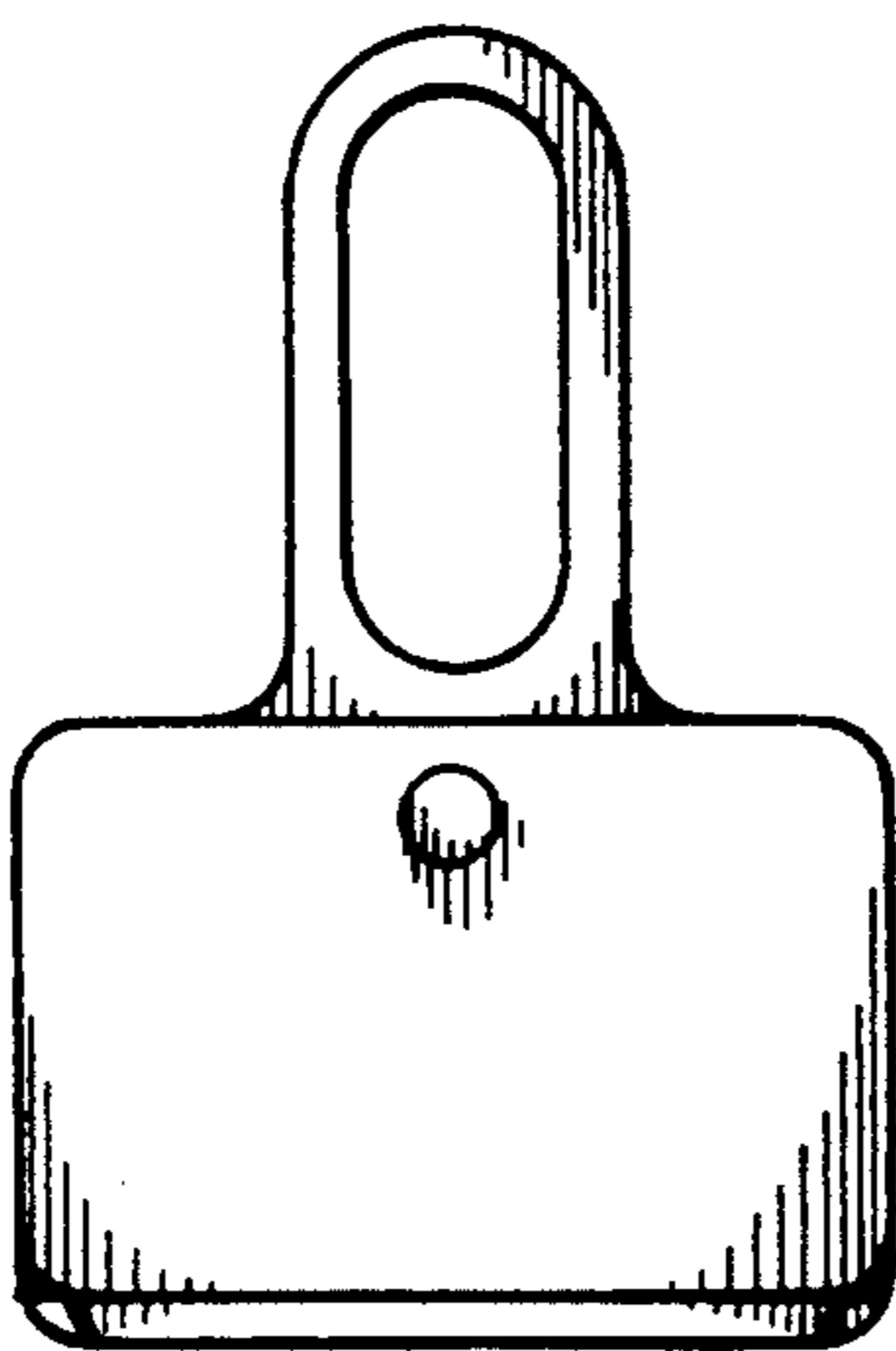


FIG. 7